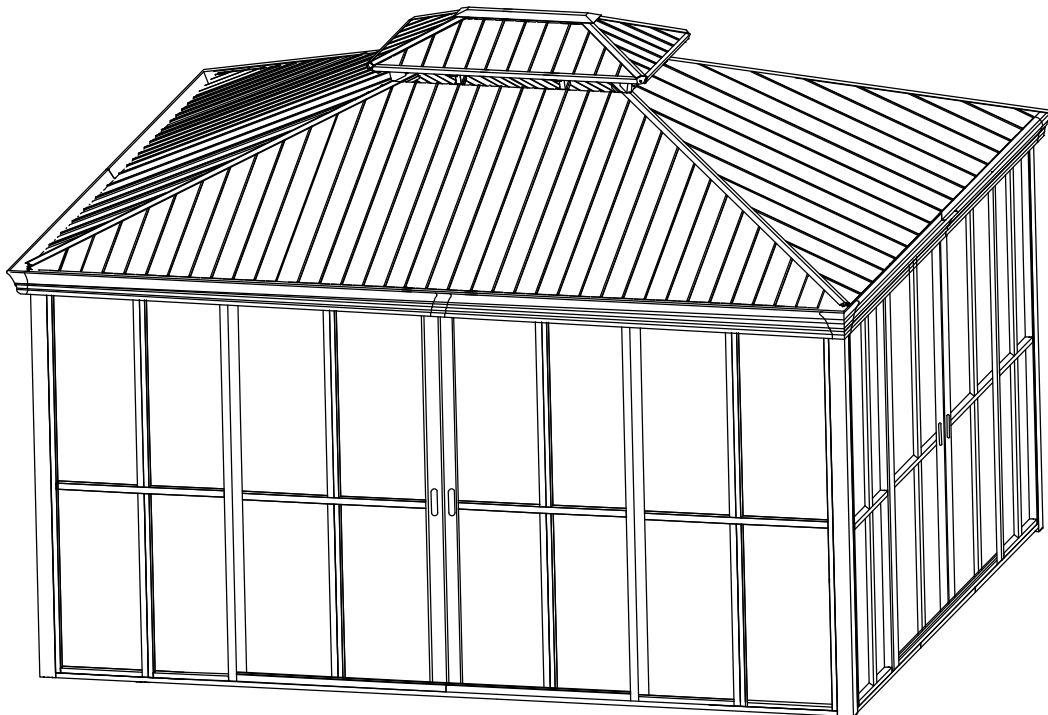


# 10 x 12FT

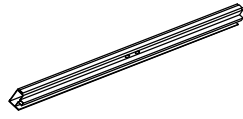
WQOT223TN



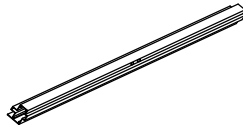
If you have any questions, please contact us at [customer01service@hotmail.com](mailto:customer01service@hotmail.com)

<b>CARTON-1/7</b>		<b>CARTON-5/7</b>		<b>E</b>	<b>4</b>
Part	Oty	Part	Oty	E1	4
M	4	G2	2	I	1
M1	4	G3	2	N	1
M2	4	G4	4		
M3	4	C2	2	<b>CARTON-7/7</b>	
M4	4	C3	2	Part	Oty
M5	4	F2	2	C	2
M6	4	F3	2	C1	2
M7	4	J	6	F	2
M8	2	J1	6	F1	2
M9	2	H	4	Aa	2
<b>CARTON-2/7</b>		K2	2	Ab	2
Part	Oty	K3	2	Af	2
AH	4	Y	60	Ag	2
AI	4	V	4	Ba	2
AJ	4	V1	4	Bb	2
Q	16	Mn	8	Bf	2
		1.2.3.4.5.6.7.8.9. 10.11.12.13.14.1 5.16.17.18.19.20 .21.22.23	1	Bg	2
<b>CARTON-3/7</b>					
Part	Oty				
BJ	4	W	1		
BK	4	<b>CARTON-6/7</b>			
BL	4	Part	Oty		
Q1	16	Ac	4		
<b>CARTON-4/7</b>		Ad	4		
Part	Oty	Ae	4		
<b>D</b> (There are additional accessories in D parts, please take them out.)	4	Bc	4		
		Bd	4		
		Be	4		
		T	4		
		T1	4		
		L	2	P	4
L1	2	P1	4		
K	2	S	4		
K1	2	S1	4		
E2	2	R	4		
E3	2	Rr	4		
H1	4	U	4		
G	2	Uu	4		
G1	2	X	2		
O	4	X1	2		
O1	4	Z1	16		
O2	2				

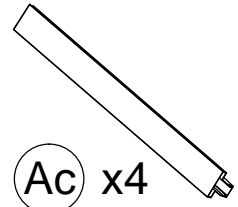
Accessories  
for  
Door  
A/A1



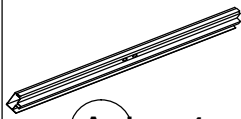
(Aa) x2



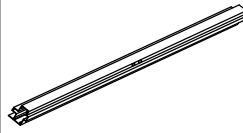
(Ab) x2



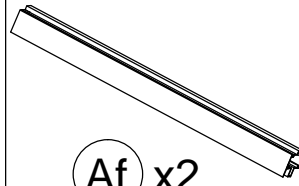
(Ac) x4



(Ad) x4



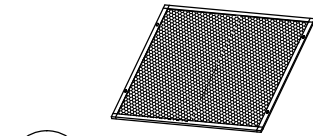
(Ae) x4



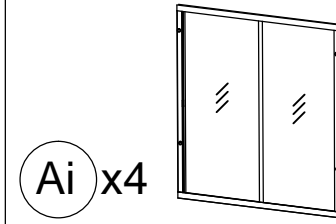
(Af) x2



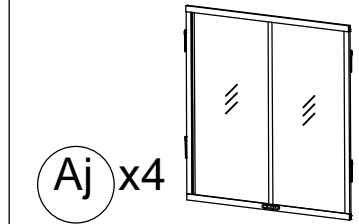
(Ag) x2



(Ah) x4

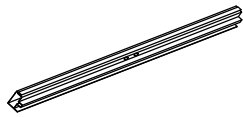


(Ai) x4

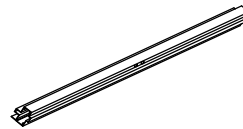


(Aj) x4

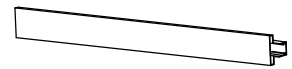
Accessories  
for  
Door  
B/B1



(Ba) x2



(Bb) x2



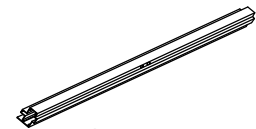
(Bc) x4



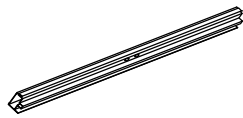
(Bd) x4



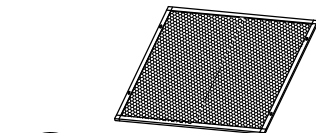
(Be) x4



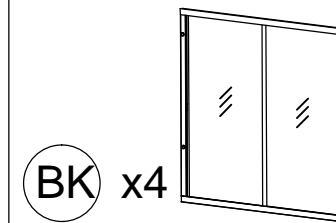
(Bf) x2



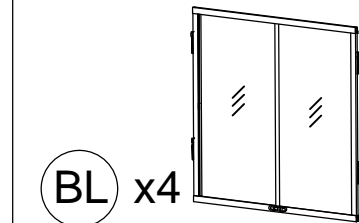
(Bg) x2



(Bj) x4



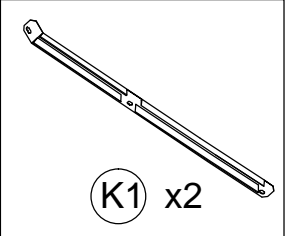
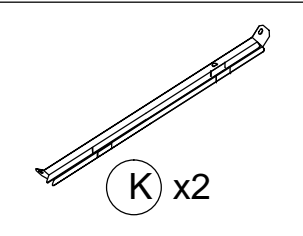
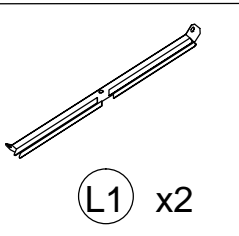
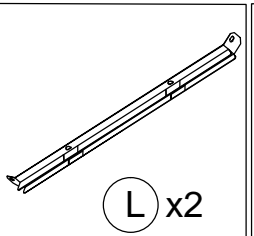
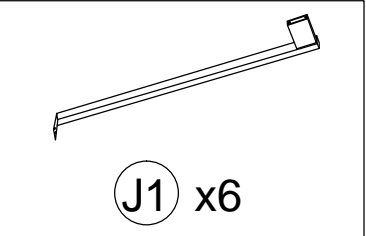
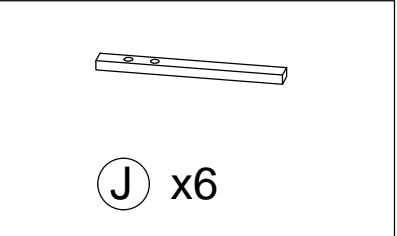
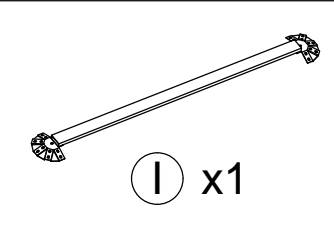
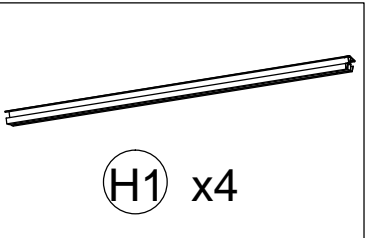
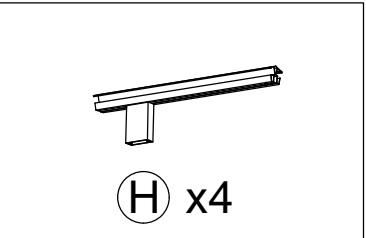
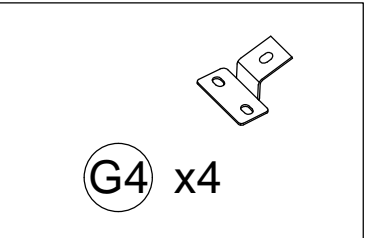
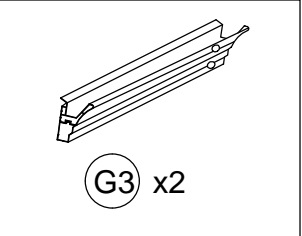
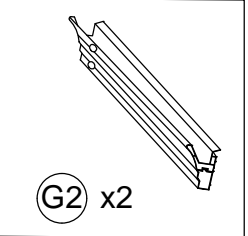
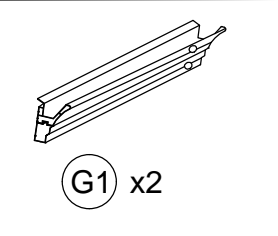
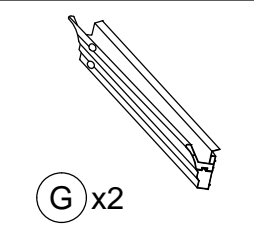
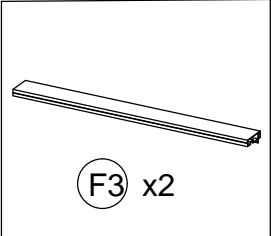
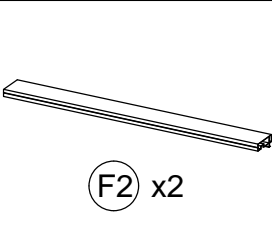
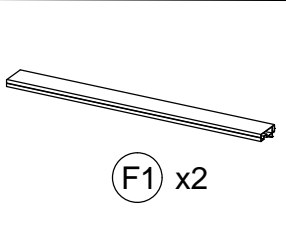
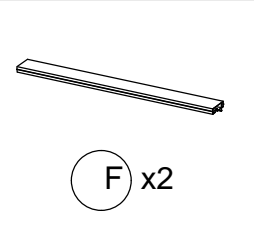
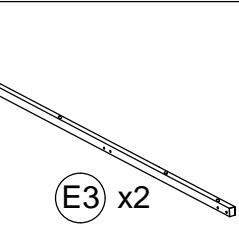
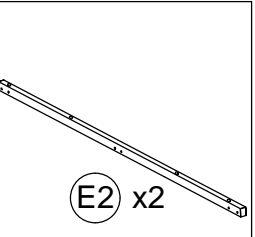
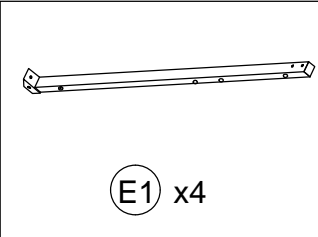
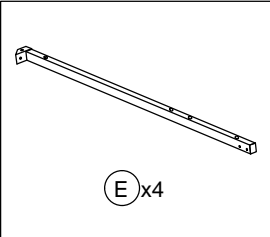
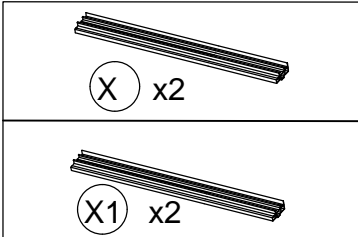
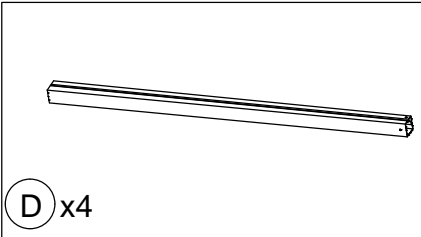
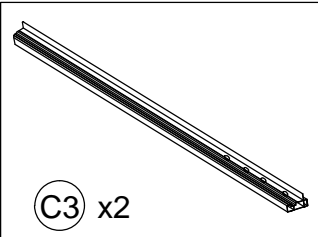
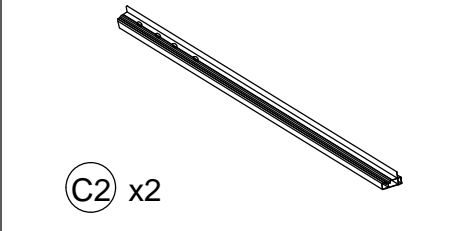
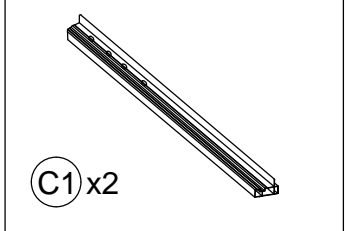
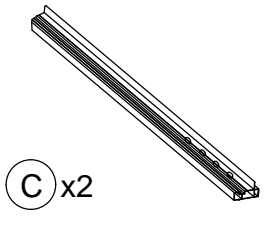
(Bk) x4

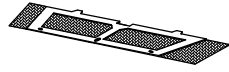


(Bl) x4

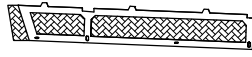


(Mn) x8

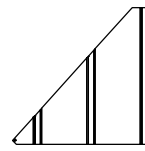




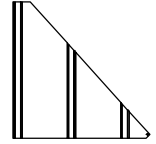
(K3) x2



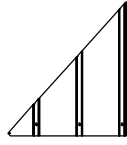
(K2) x2



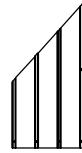
(M) x4



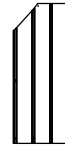
(M1) x4



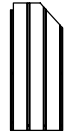
(M2) x4



(M3) x4



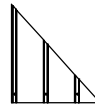
(M4) x4



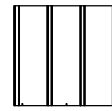
(M5) x4



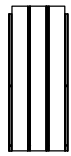
(M6) x4



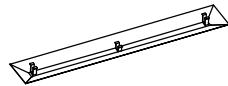
(M7) x4



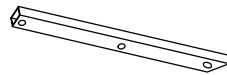
(M8) x2



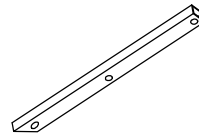
(M9) x2



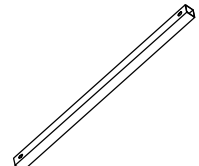
(N) x1



(O) x4



(O1) x4



(O2) x2



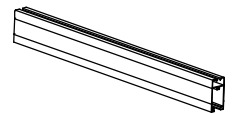
(T) x4



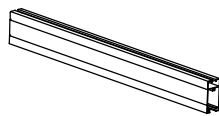
(P) x4



(R) x4



(U) x4



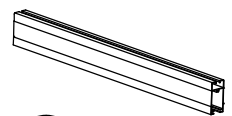
(S) x4



(Q) x16



(Rr) x4



(Uu) x4



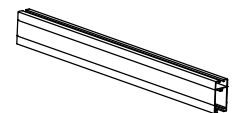
(Q1) x16



(T1) x4



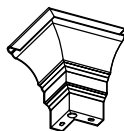
(P1) x4



(S1) x4



(Y) x60



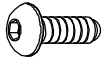

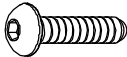
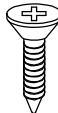
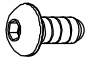


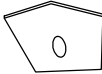
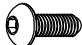

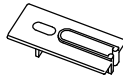
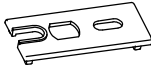


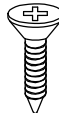
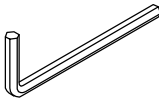
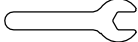
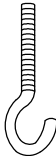
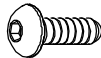
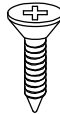


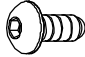
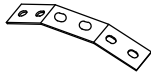
(V) x4



(V1) x4

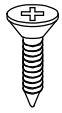


(Z1) x16

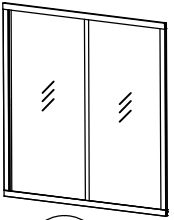
 M6x35mm <b>1</b> x36	 <b>2</b> x84	 M6x55mm <b>3</b> x40	 M4x35mm <b>4</b> x160
 M6x15mm <b>5</b> x32	 <b>6</b> x6	 <b>7</b> x4	 <b>8</b> x4
 M6x25mm <b>9</b> x100	 M6 <b>10</b> x60	 <b>11</b> x16	 <b>12</b> x16
 <b>13</b> x16	 <b>14</b> x16	 M4x15mm <b>15</b> x16	 6mm <b>16</b> x1
 <b>17</b> x1	 <b>18</b> x2	 M6x45mm <b>19</b> x10	 M4x20mm <b>20</b> x76
 <b>21</b> x20	 M6 <b>22</b> x12	 M6x15mm <b>23</b> x136	 <b>W</b> x1

Before installing the sunroom, you should prepare the following tools for installation:  
Ladder  
Screwdriver  
Allen wrench  
Rubber hammer  
Cordless drill

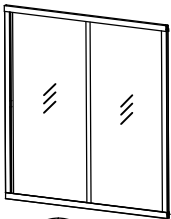
# Small Window Assembly Steps



15 x16



Aj x4

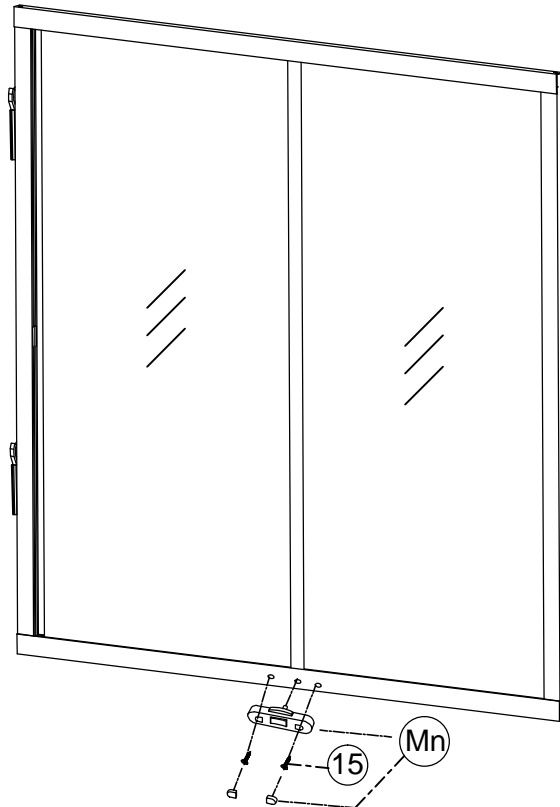


BL x4



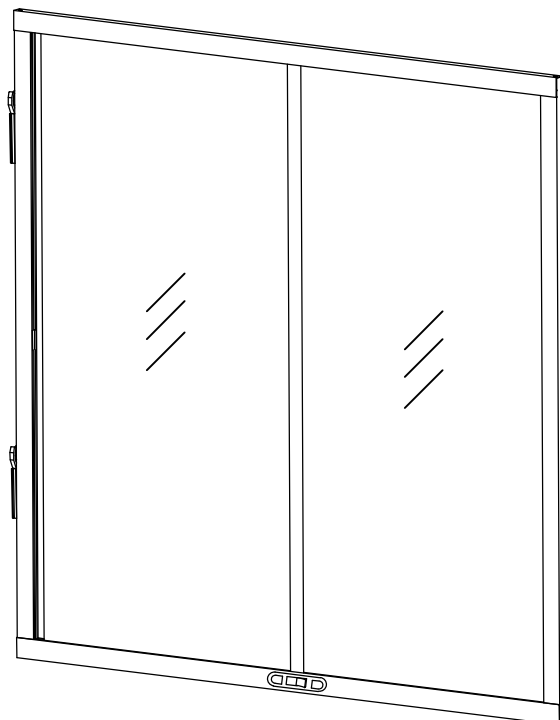
Mn x8

x8



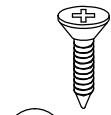
<2>

x8

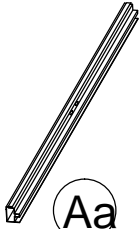


6

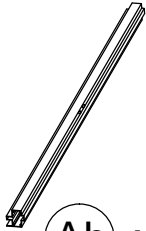
# Assembly Steps of Gate A



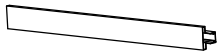
4 x8



Aa x2



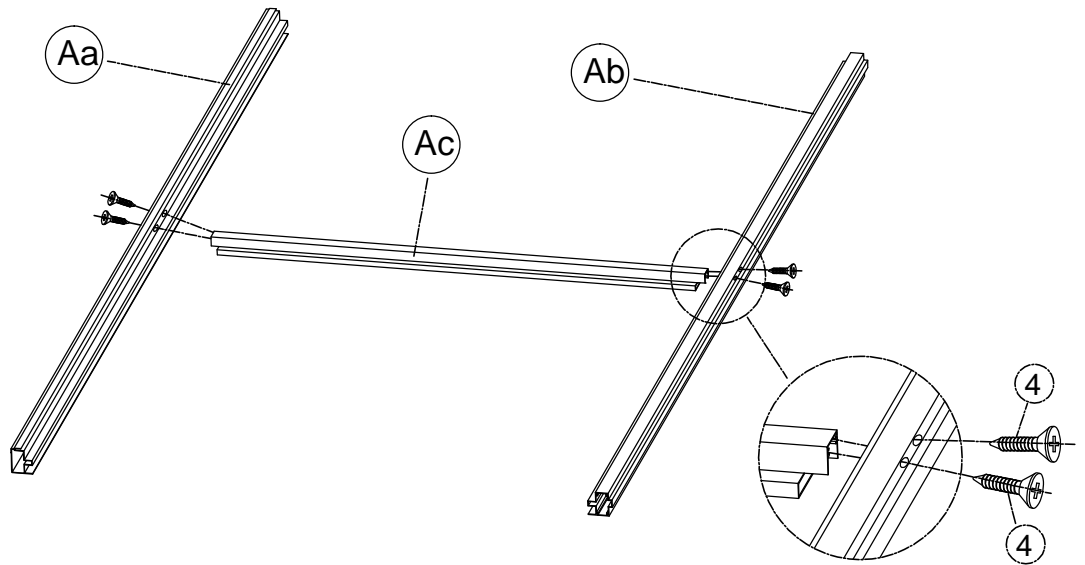
Ab x2



Ac x2

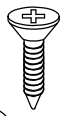
<1>

x2



<2>

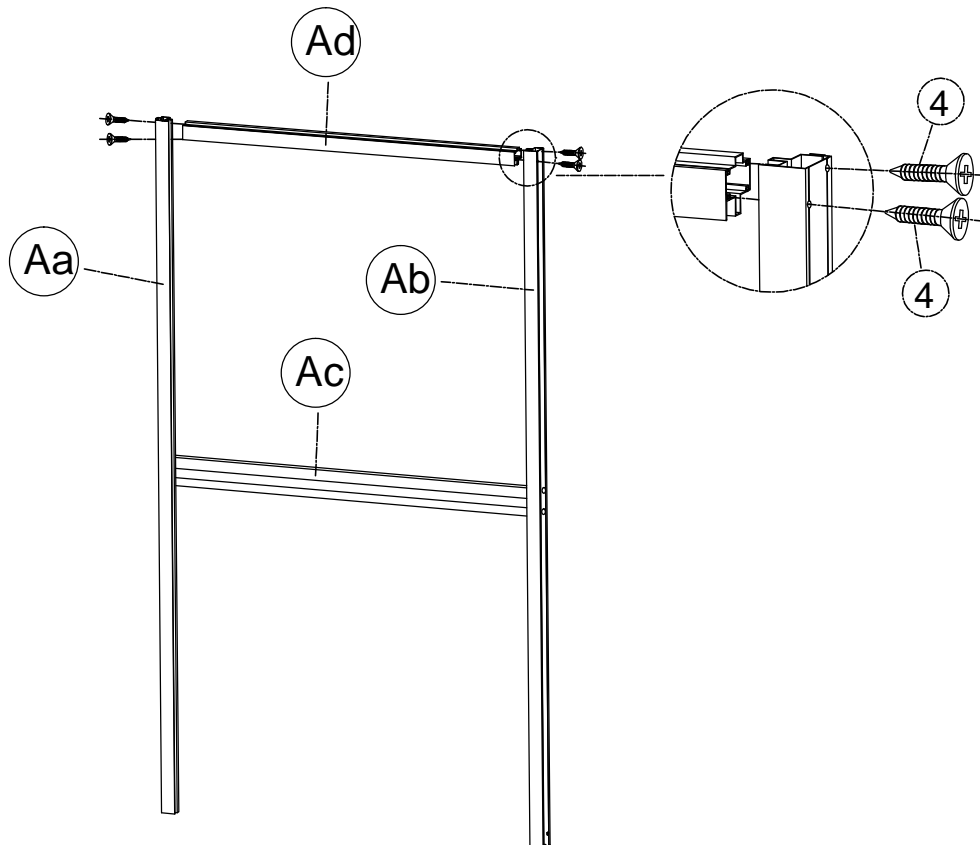
x2



4 x8



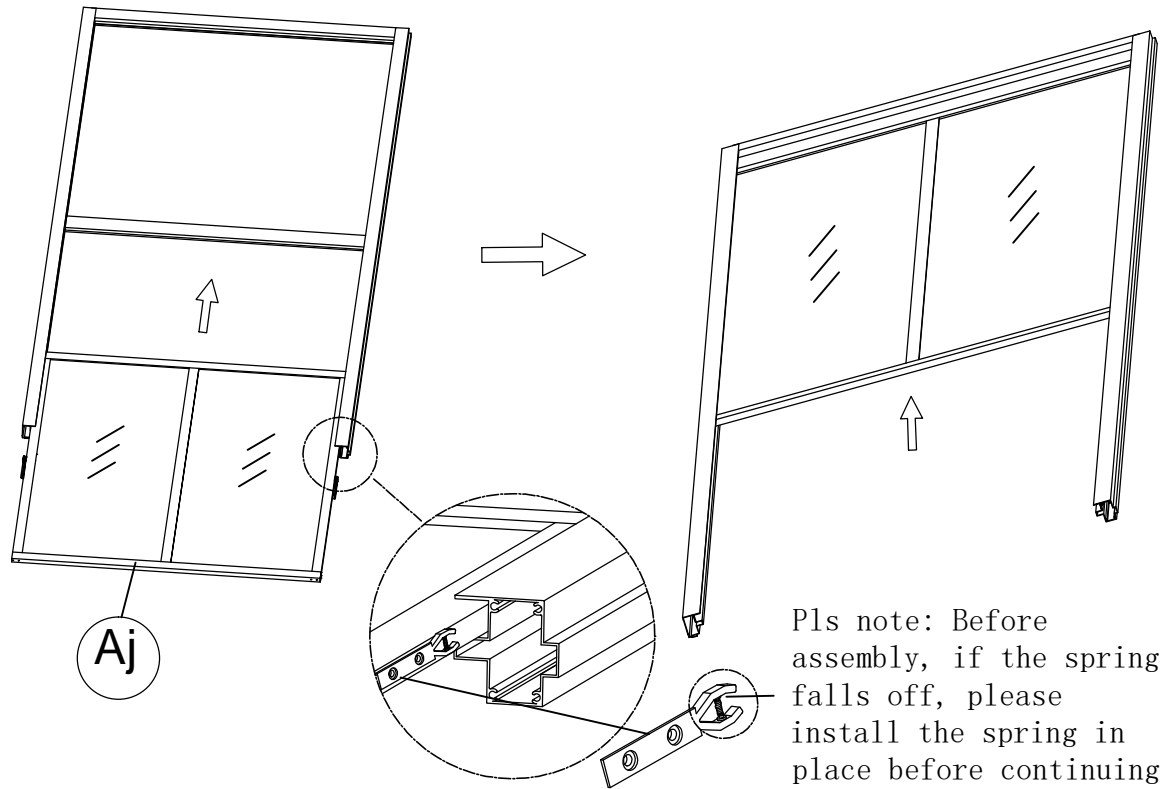
Ad x2



# Assembly Steps of Gate A

<3>

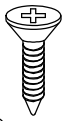
x2



Pls note: Before assembly, if the spring falls off, please install the spring in place before continuing assembly.

<4>

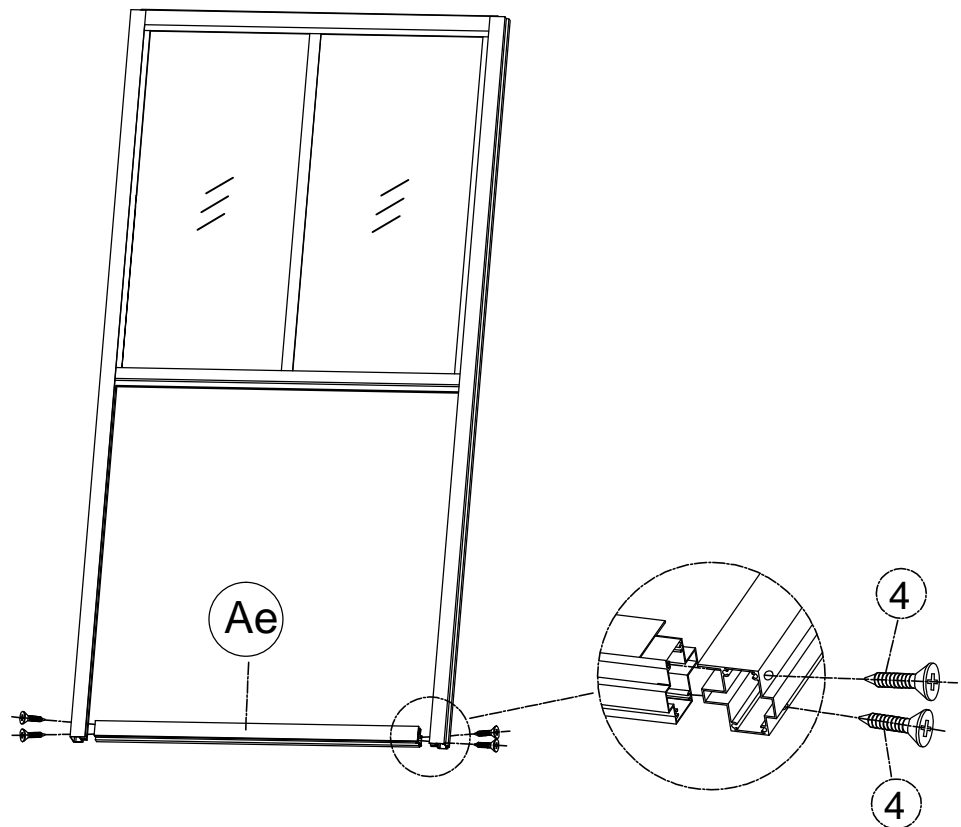
x2



4 x8

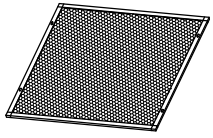


Ae x2

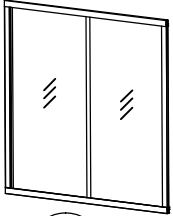


8

# Assembly Steps of Gate A



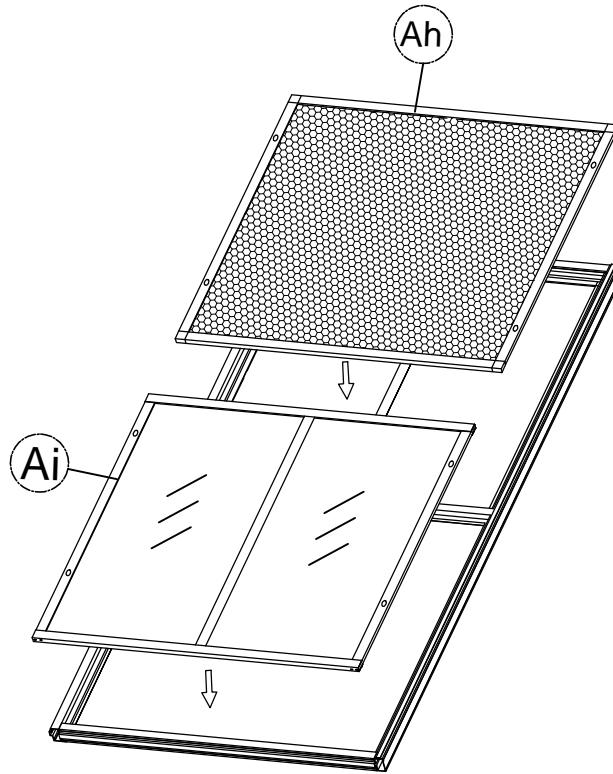
Ah x2



Ai x2

<5>

x2

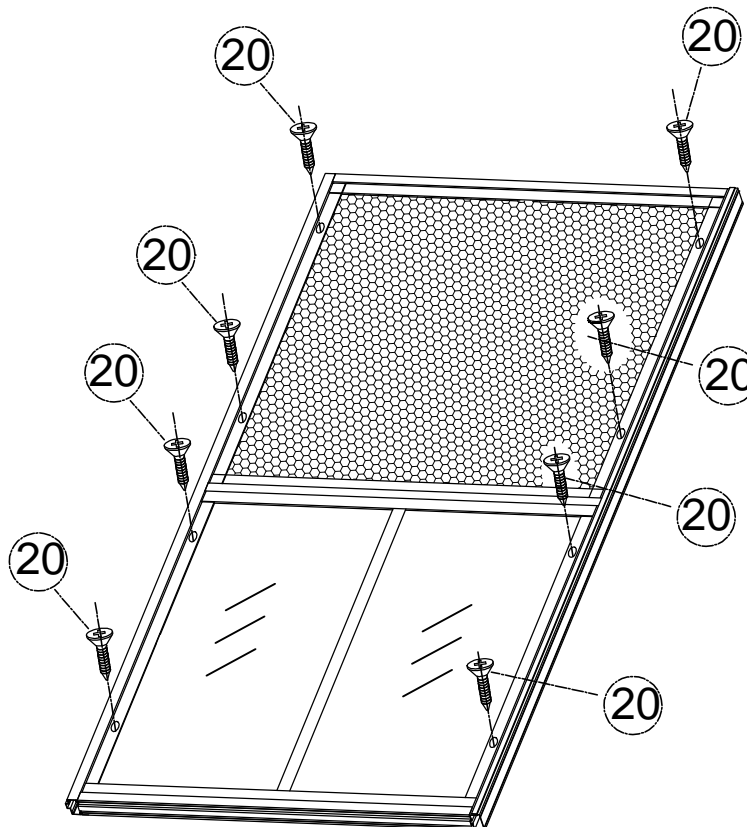


<6>

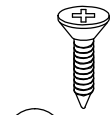
x2



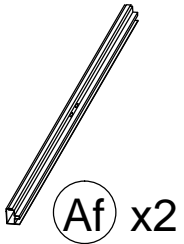
20 x16



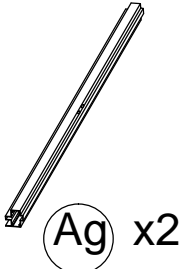
# Assembly Steps of Gate A1



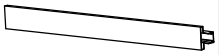
4 x8



Af x2



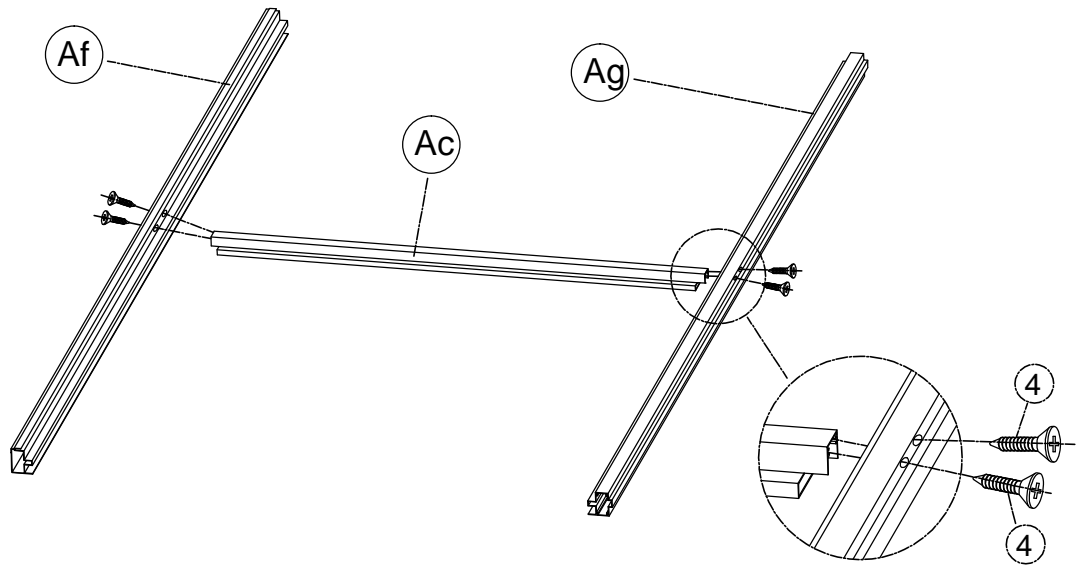
Ag x2



Ac x2

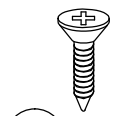
<1>

x2



<2>

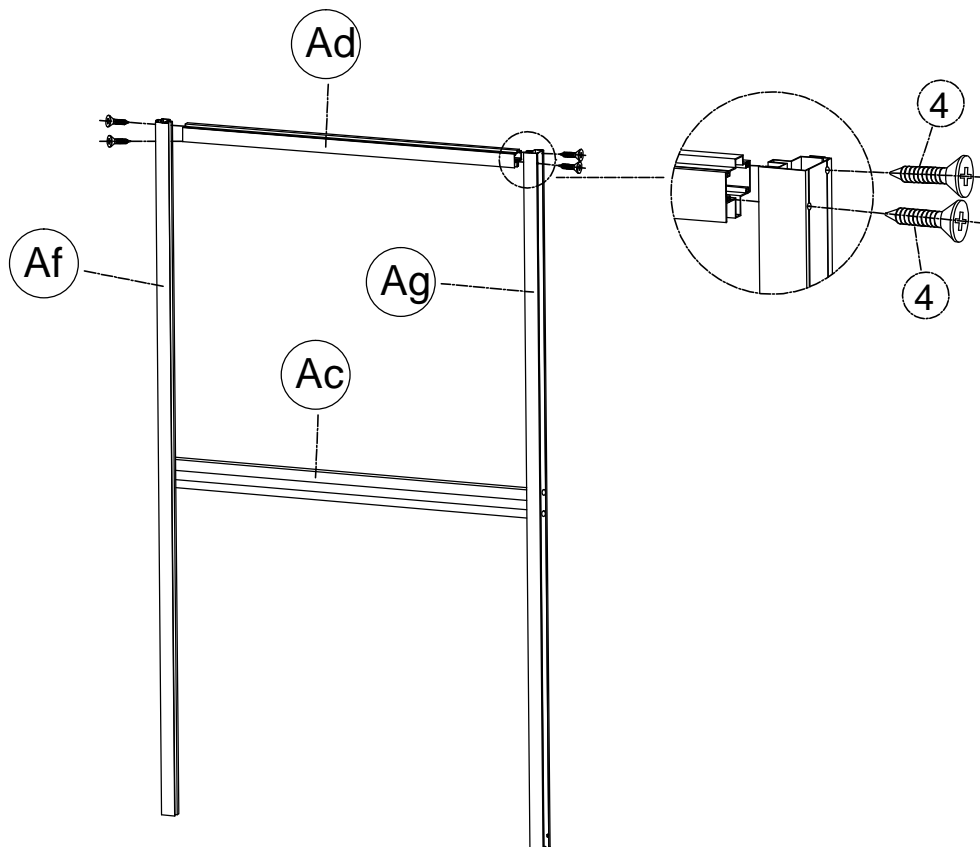
x2



4 x8



Af x2

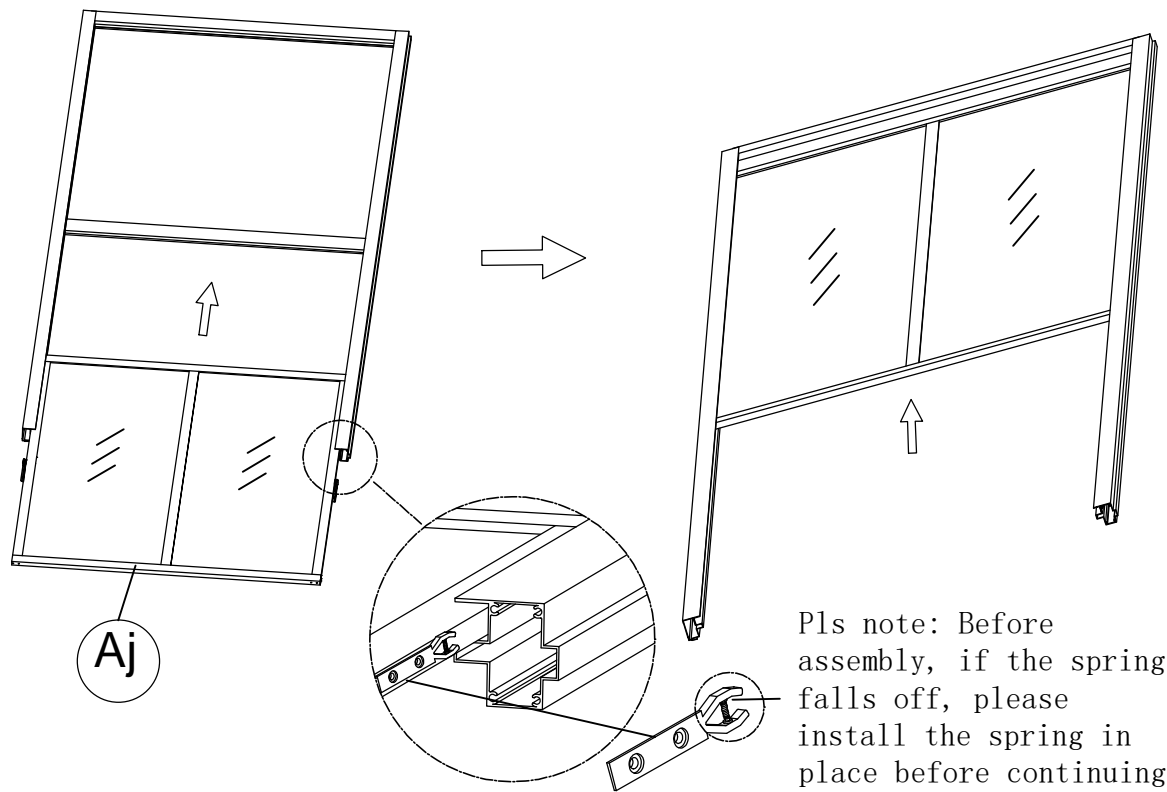


10

# Assembly Steps of Gate A1

<3>

x2



<4>

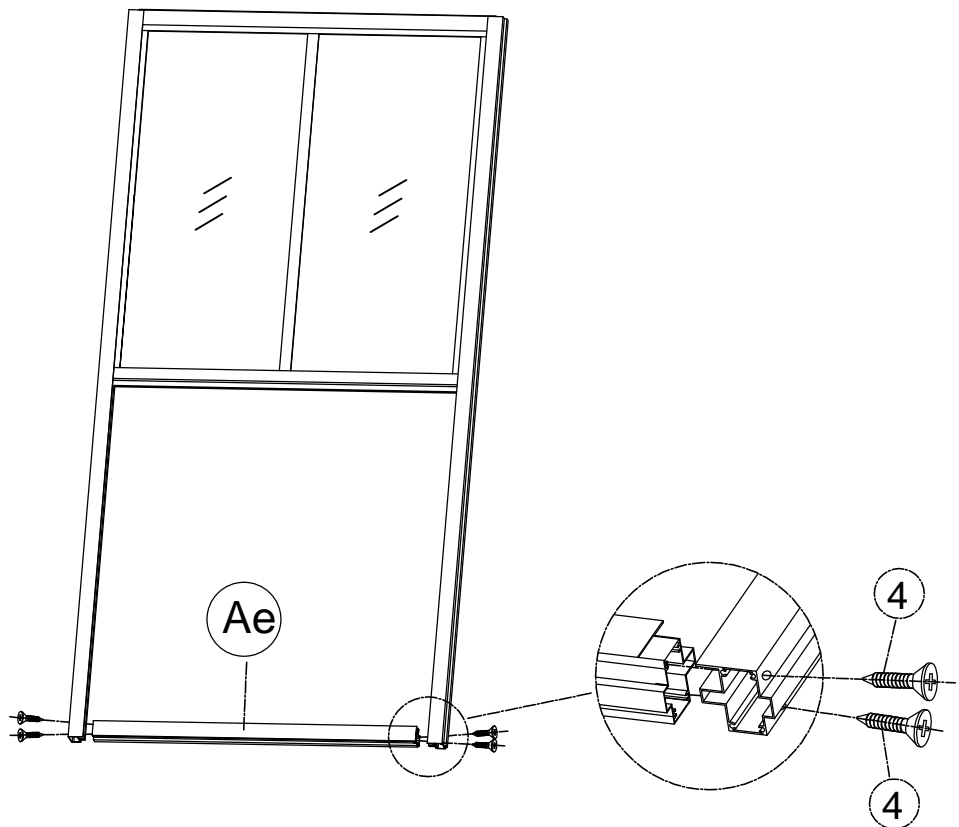
x2



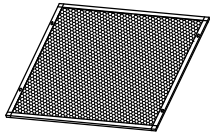
4 x8



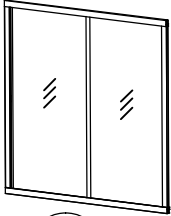
Ae x2



# Assembly Steps of Gate A1



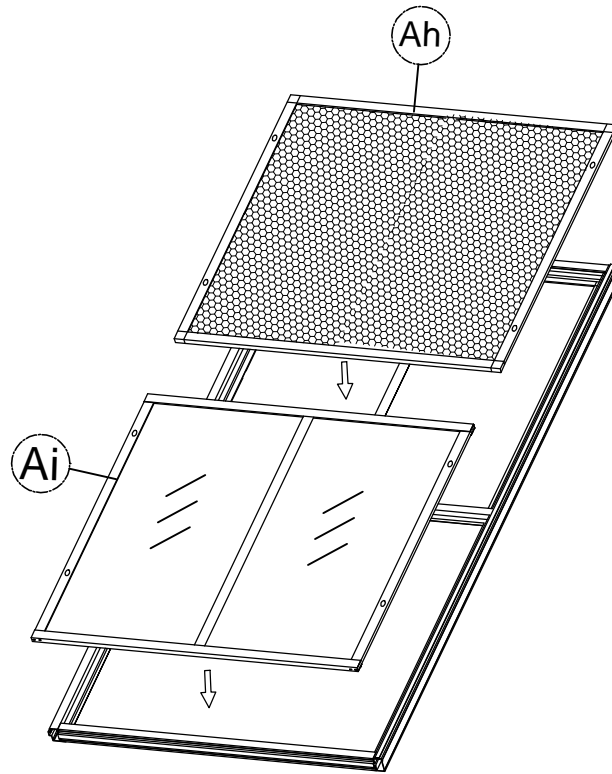
Ah x2



Ai x2

<5>

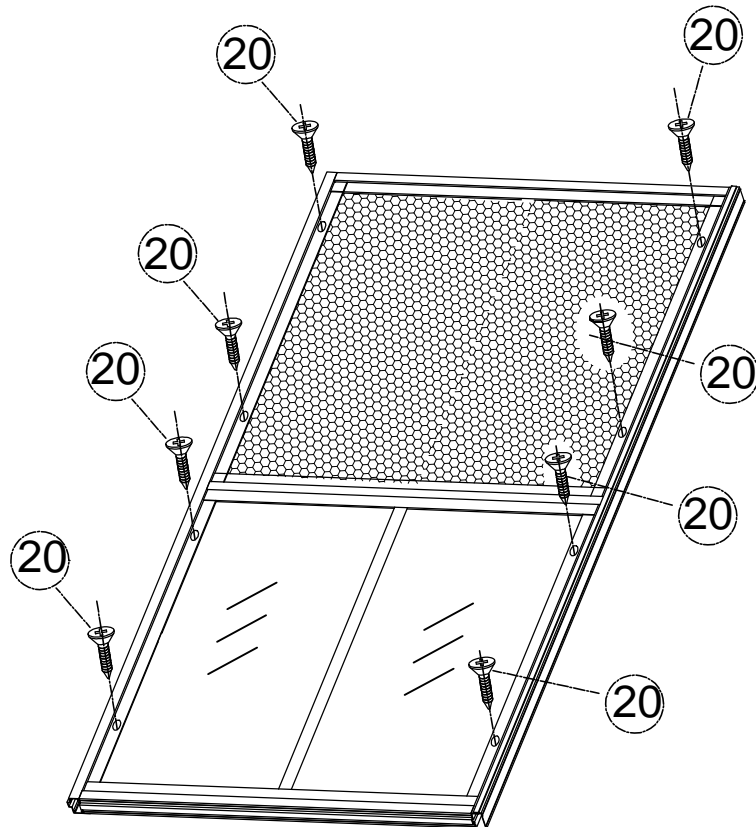
x2



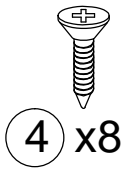
20 x16

<6>

x2

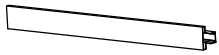
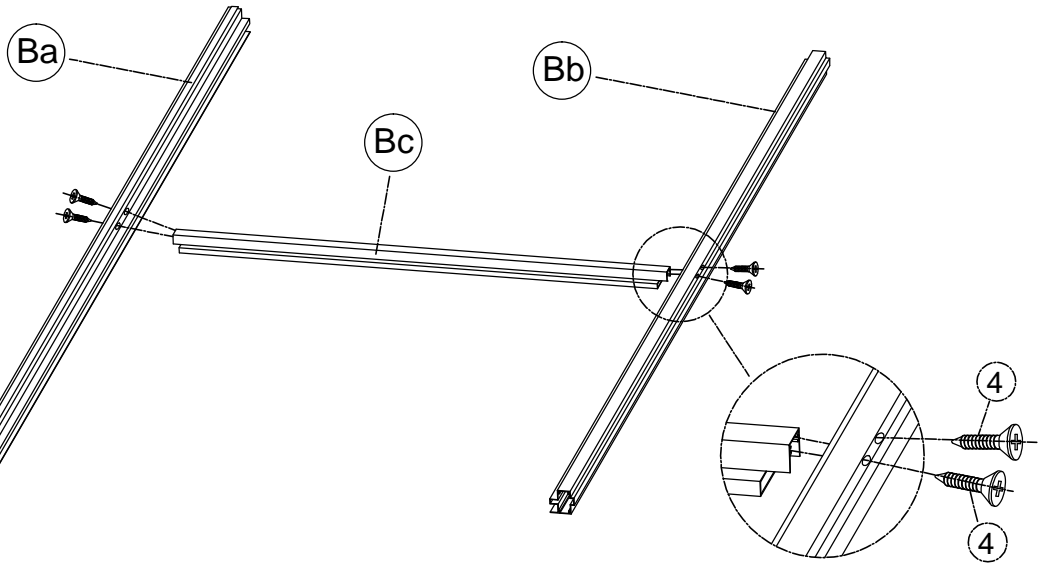
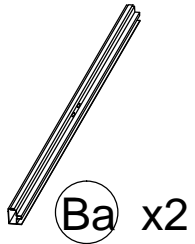


# Assembly Steps of Gate B



<1>

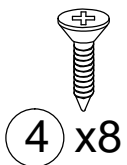
x2



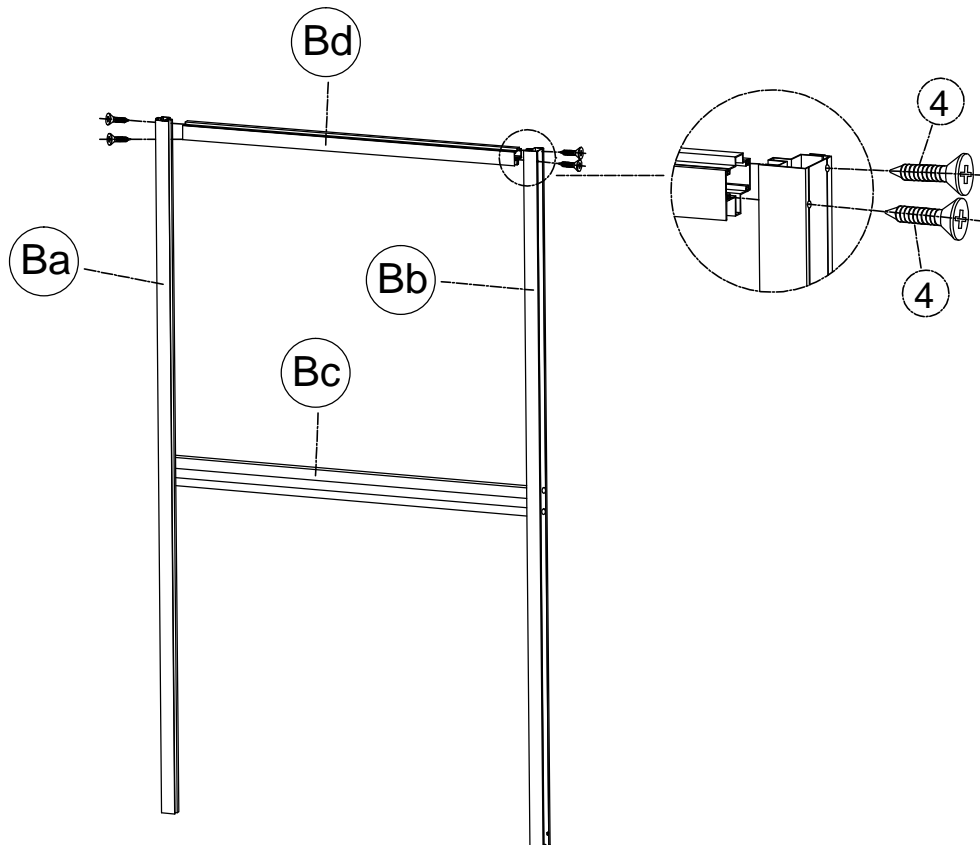
Bc x2

<2>

x2



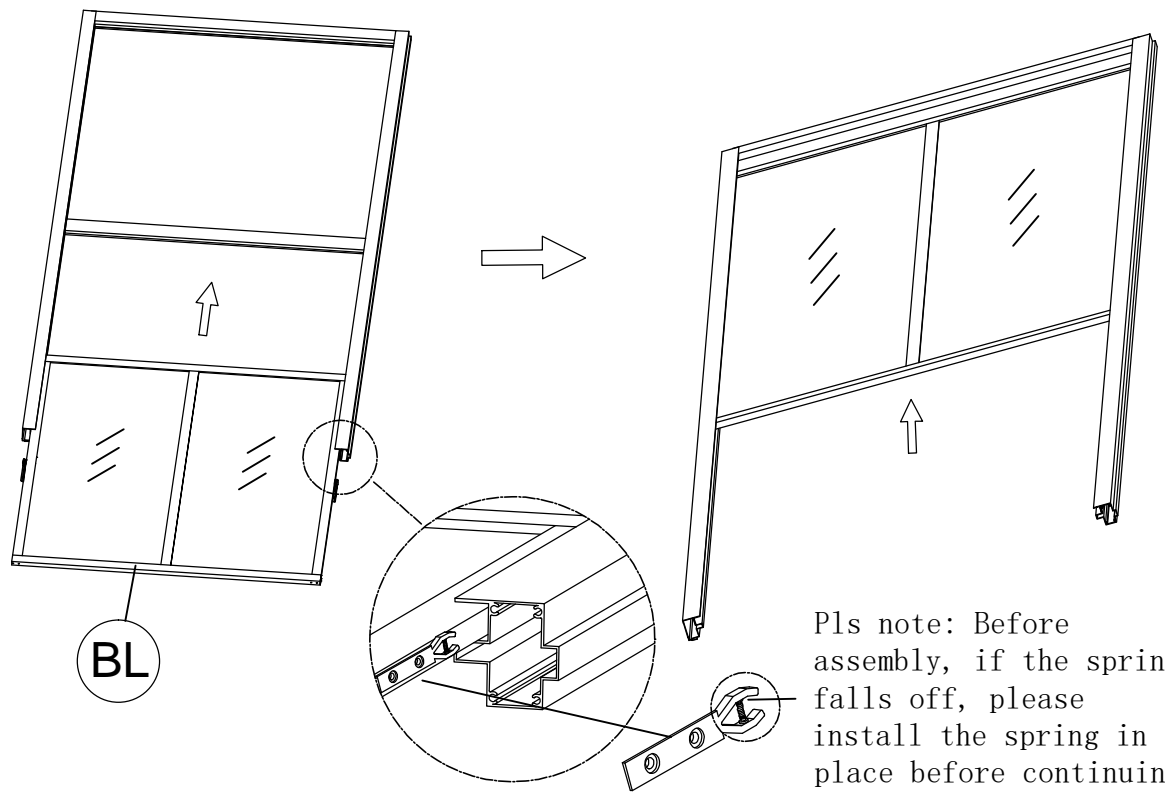
Bd x2



# Assembly Steps of Gate B

<3>

x2



Pls note: Before assembly, if the spring falls off, please install the spring in place before continuing assembly.



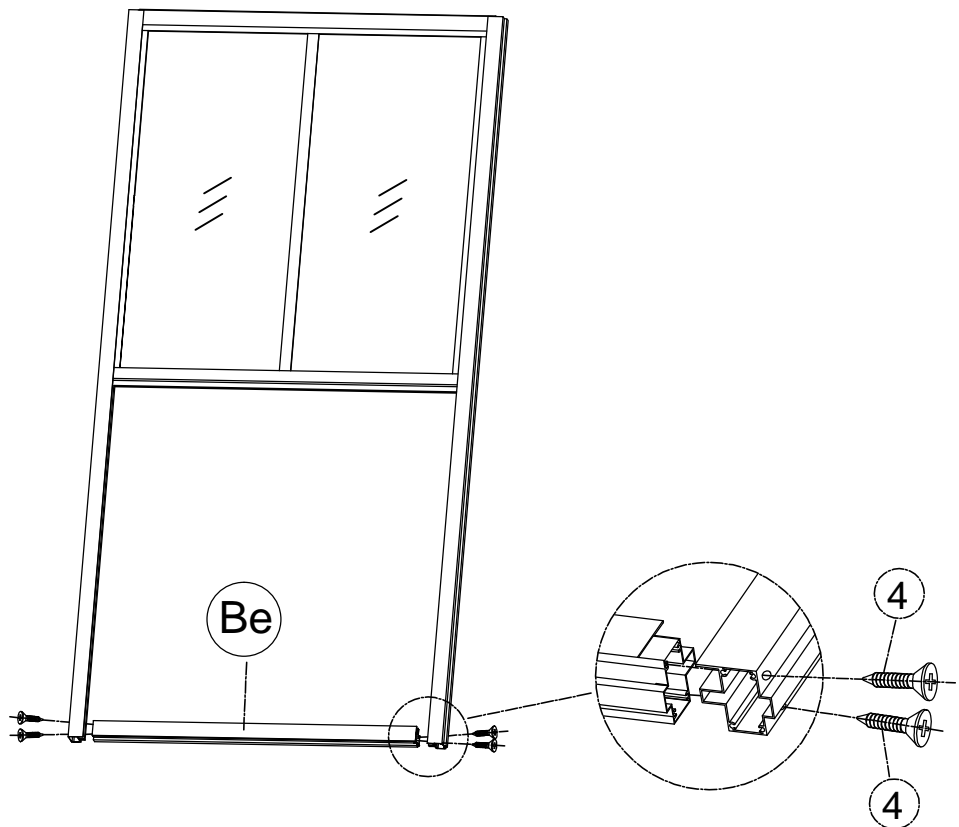
4 x8



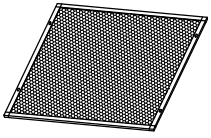
Be x2

<4>

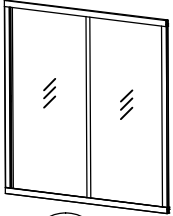
x2



# Assembly Steps of Gate B



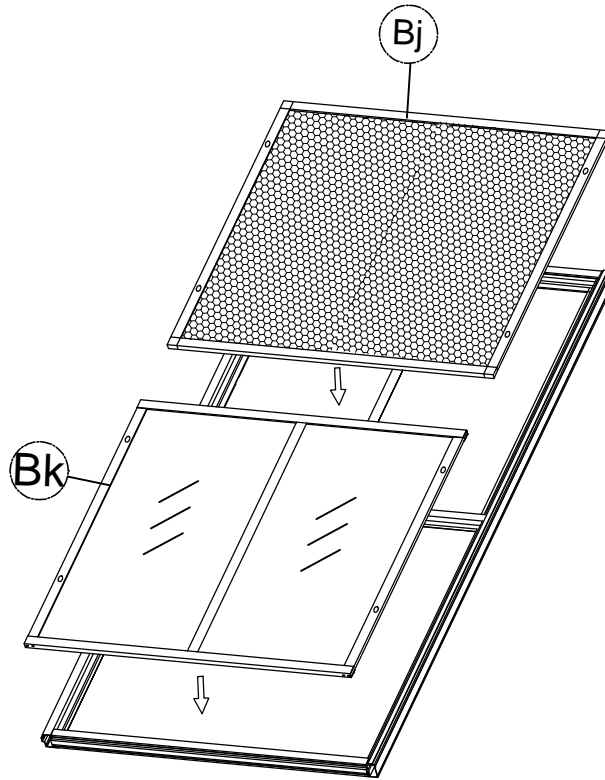
Bj x2



Bk x2

<5>

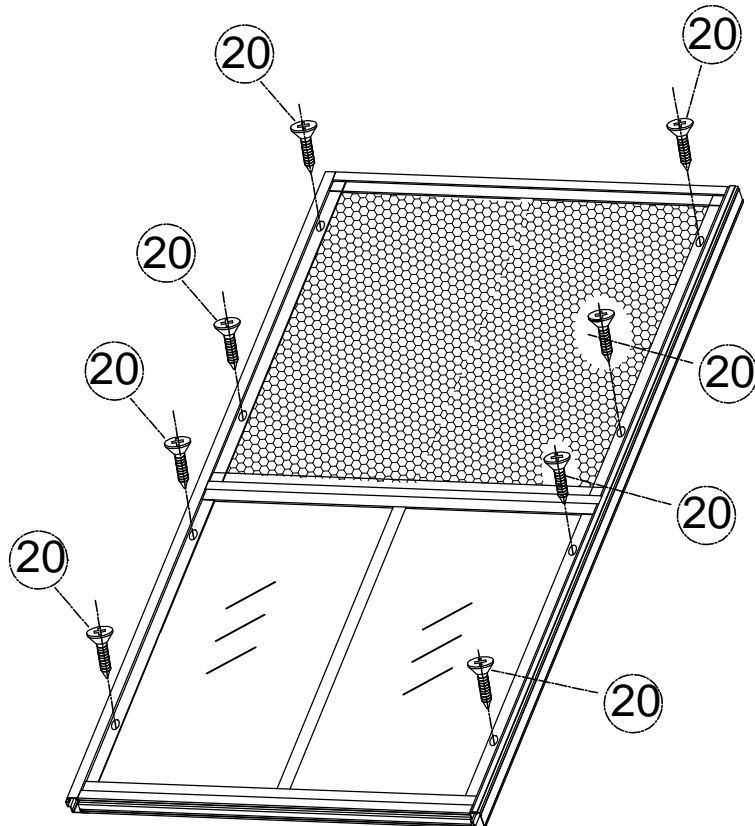
x2



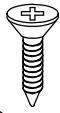
20 x16

<6>

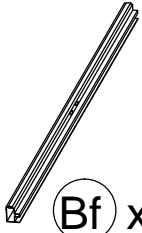
x2



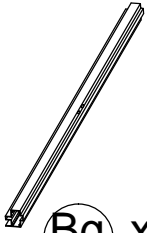
# Assembly Steps of Gate B1



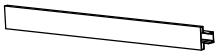
4 x8



Bf x2



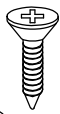
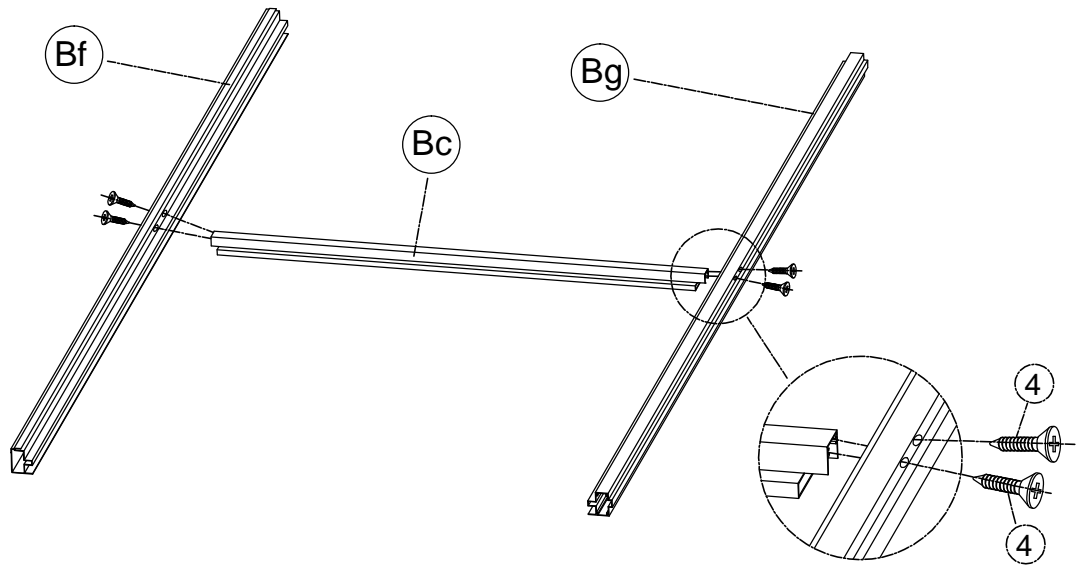
Bg x2



Bc x2

<1>

x2



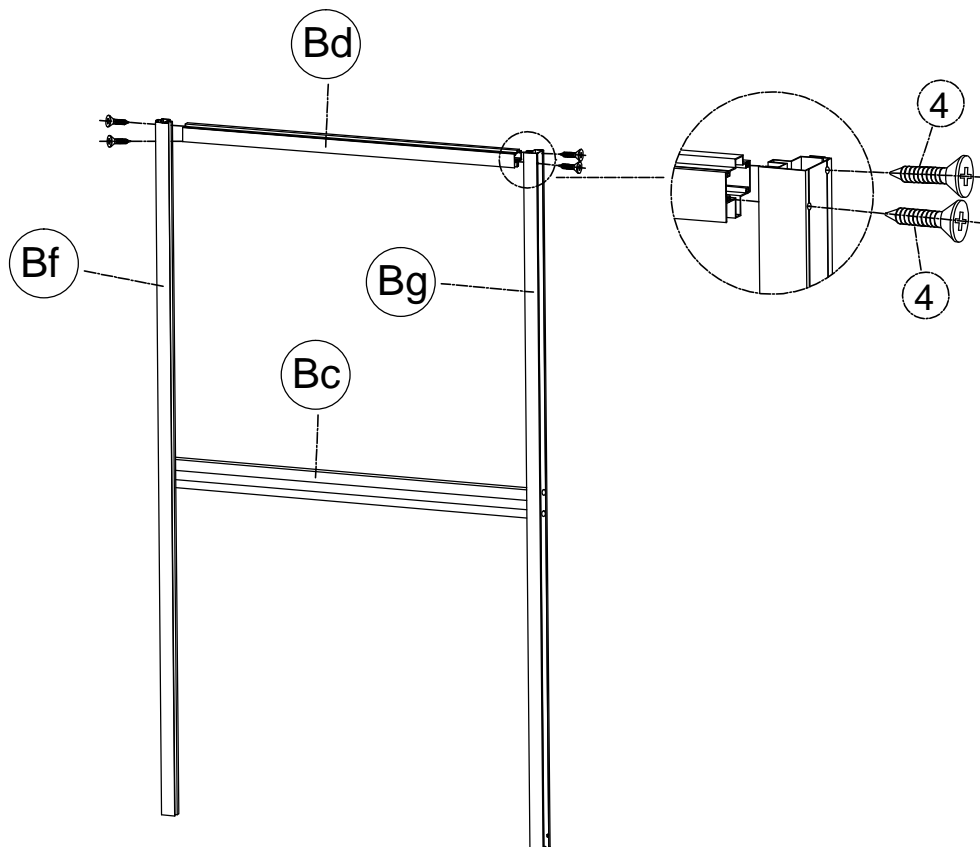
4 x8



Bd x2

<2>

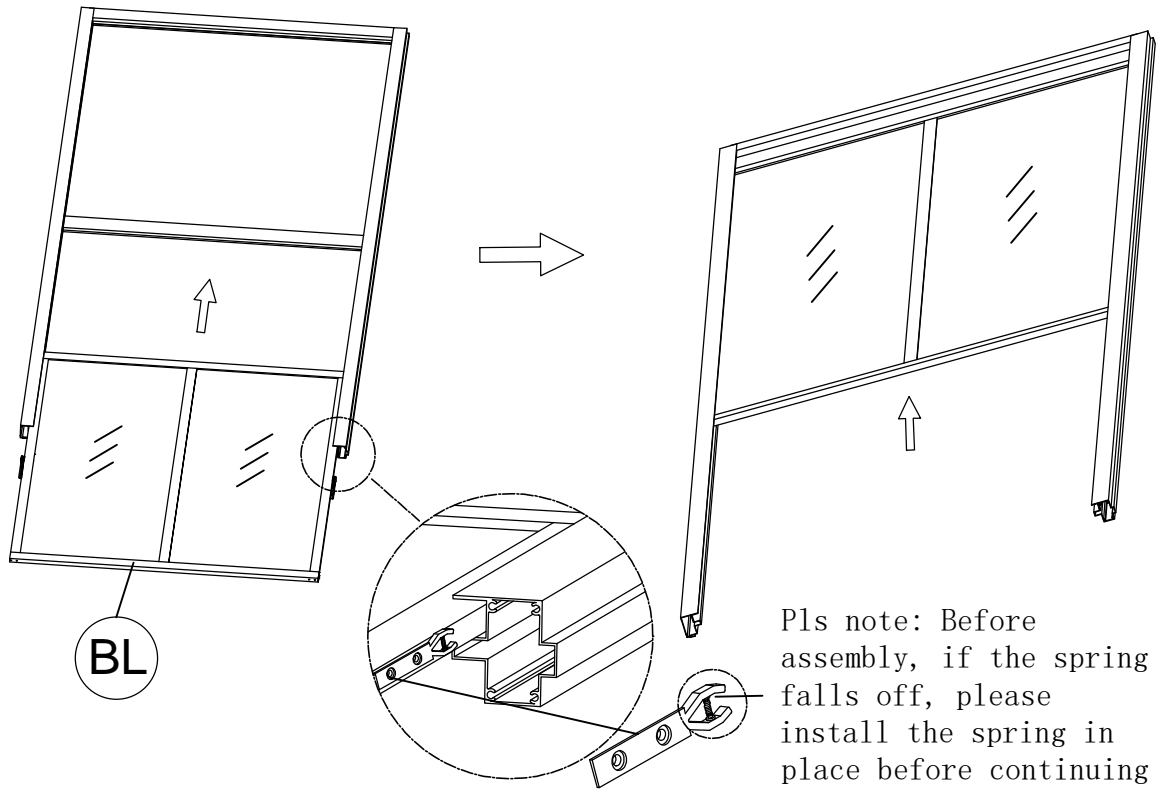
x2



# Assembly Steps of Gate B1

<3>

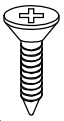
x2



Pls note: Before assembly, if the spring falls off, please install the spring in place before continuing assembly.

<4>

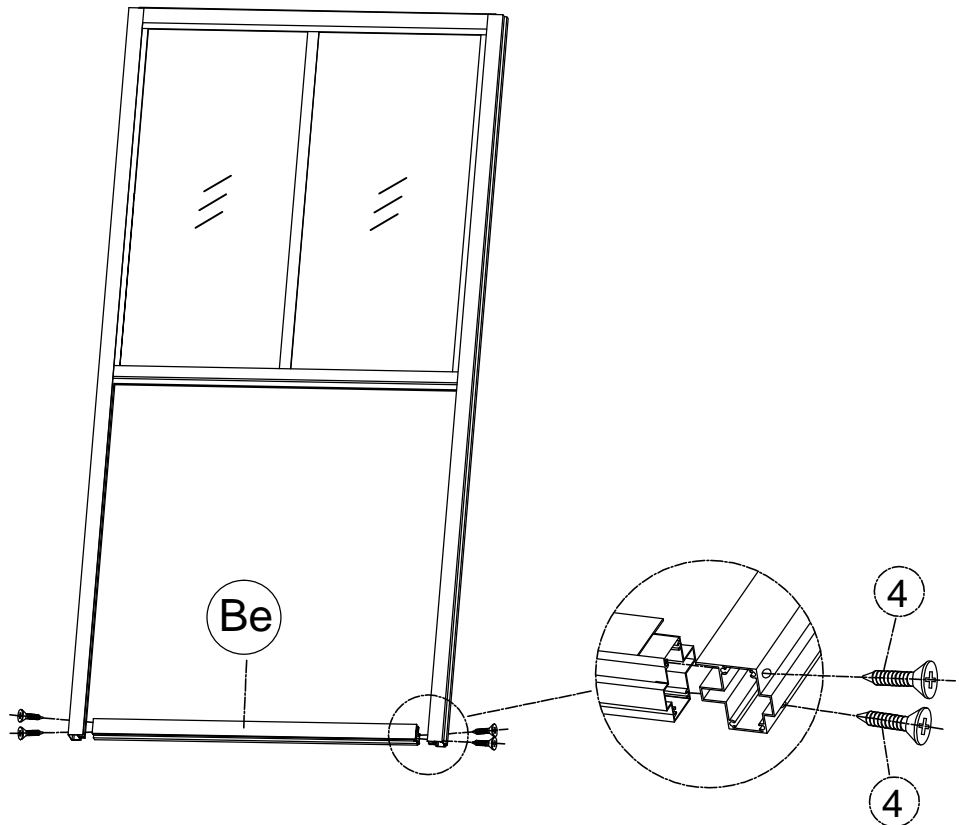
x2



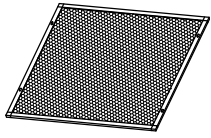
4 x16



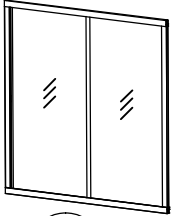
Be x2



# Assembly Steps of Gate B1



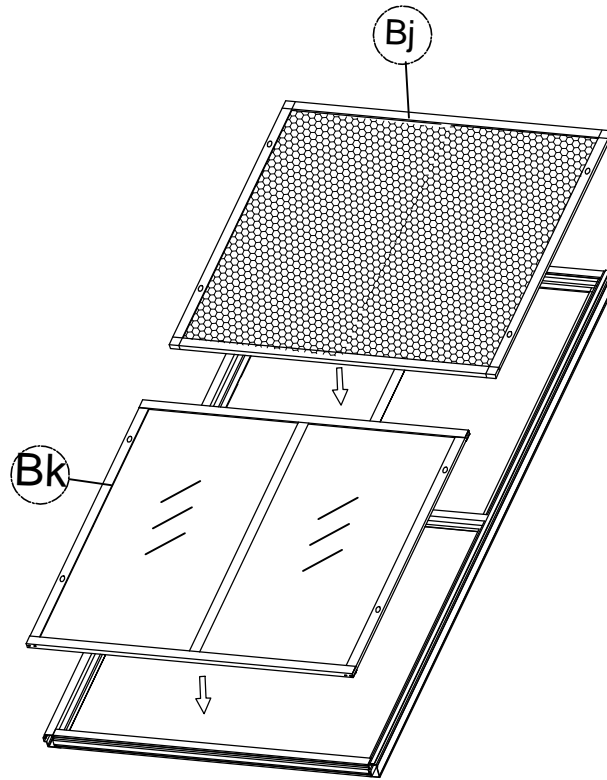
Bj x2



Bk x2

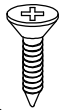
<5>

x2

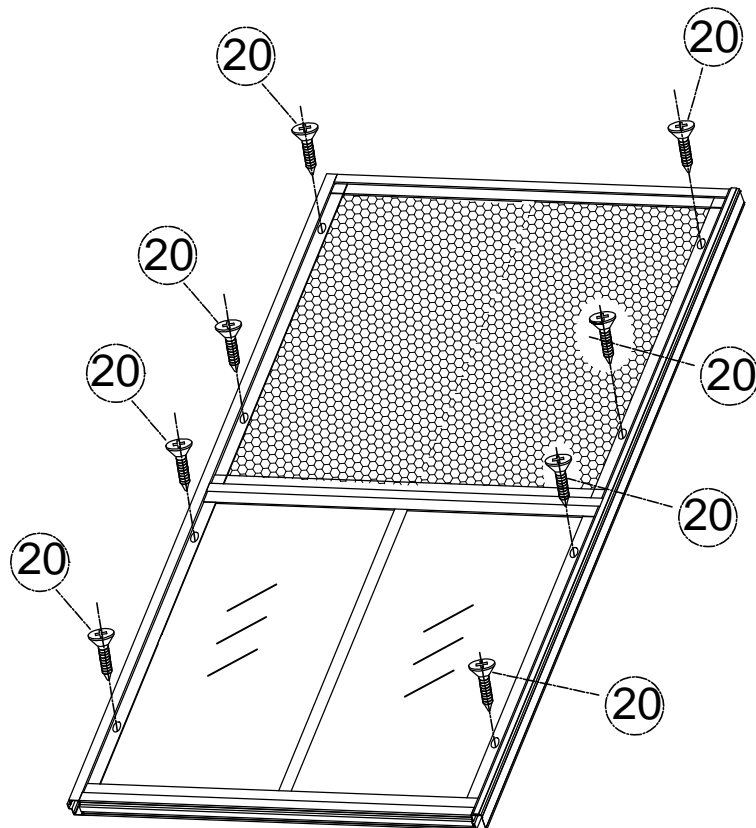


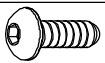
<6>

x2



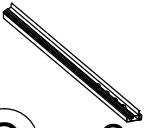
20 x16





M6x15mm

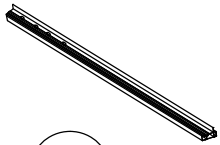
5 x16



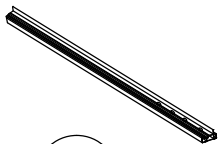
C x2



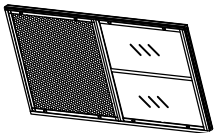
C1 x2



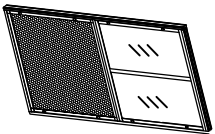
C2 x2



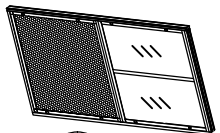
C3 x2



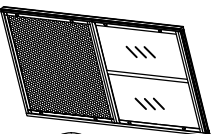
A x2



A1 x2

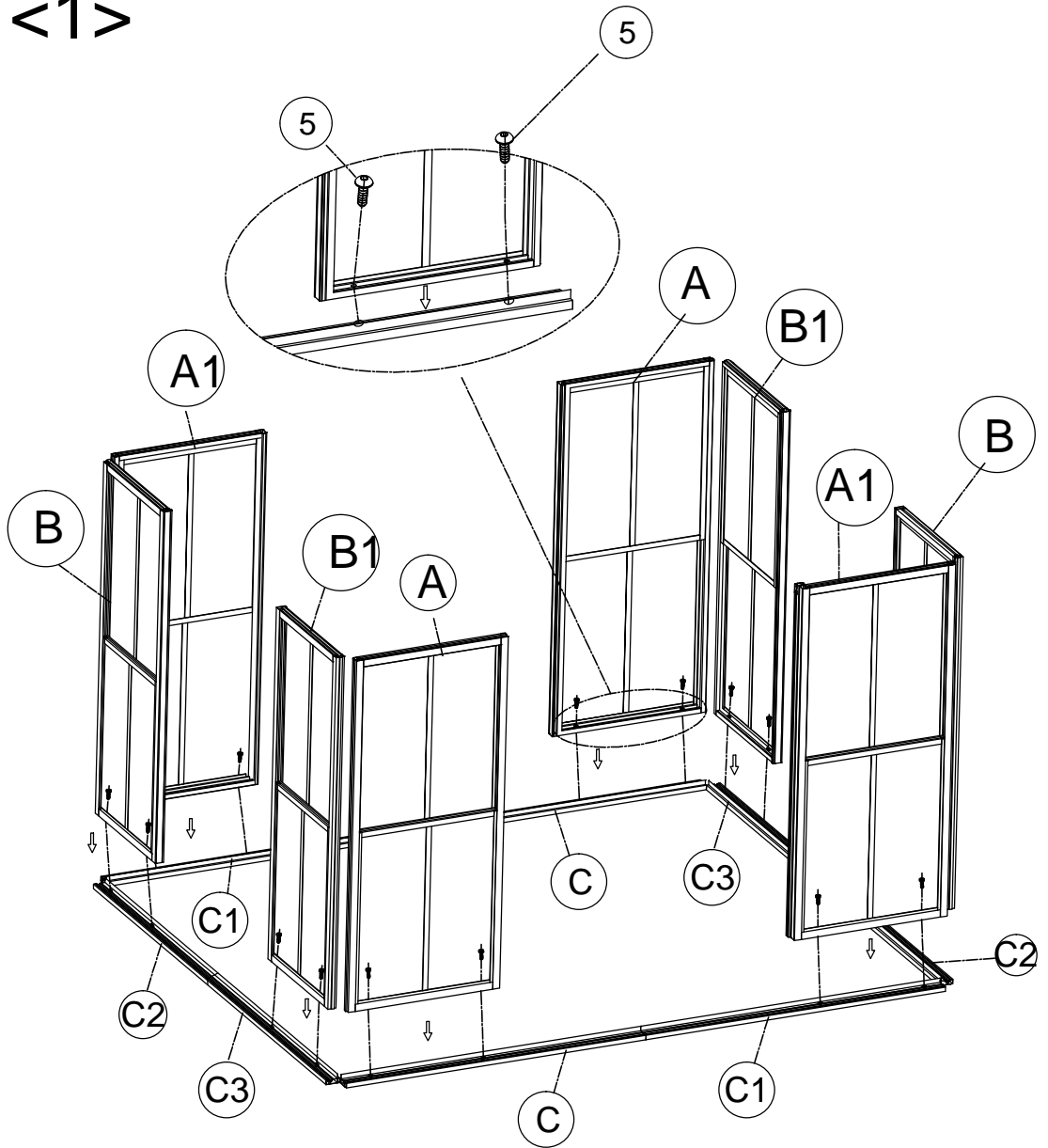


B x2



B1 x2

# <1>

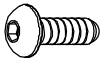


Step 1: first determine the location, and then arrange it in a regular manner.

- ①As shown in the picture: 12FT positions C and C1 are placed together. 10FT positions C2 and C3 are placed together.
- ②As shown in the picture: Connect door piece A to bottom C and C1 at the 12FT position, then use screw 1 to pass through door piece A, connect to bottom C and C1, and tighten the screws.
- ③ Connect the B and B1 door pieces to the bottom C2 at the 10FT position. Then use screw 1 to pass through door piece B and door piece B1, connect to bottom C2,C3, and tighten the screws.

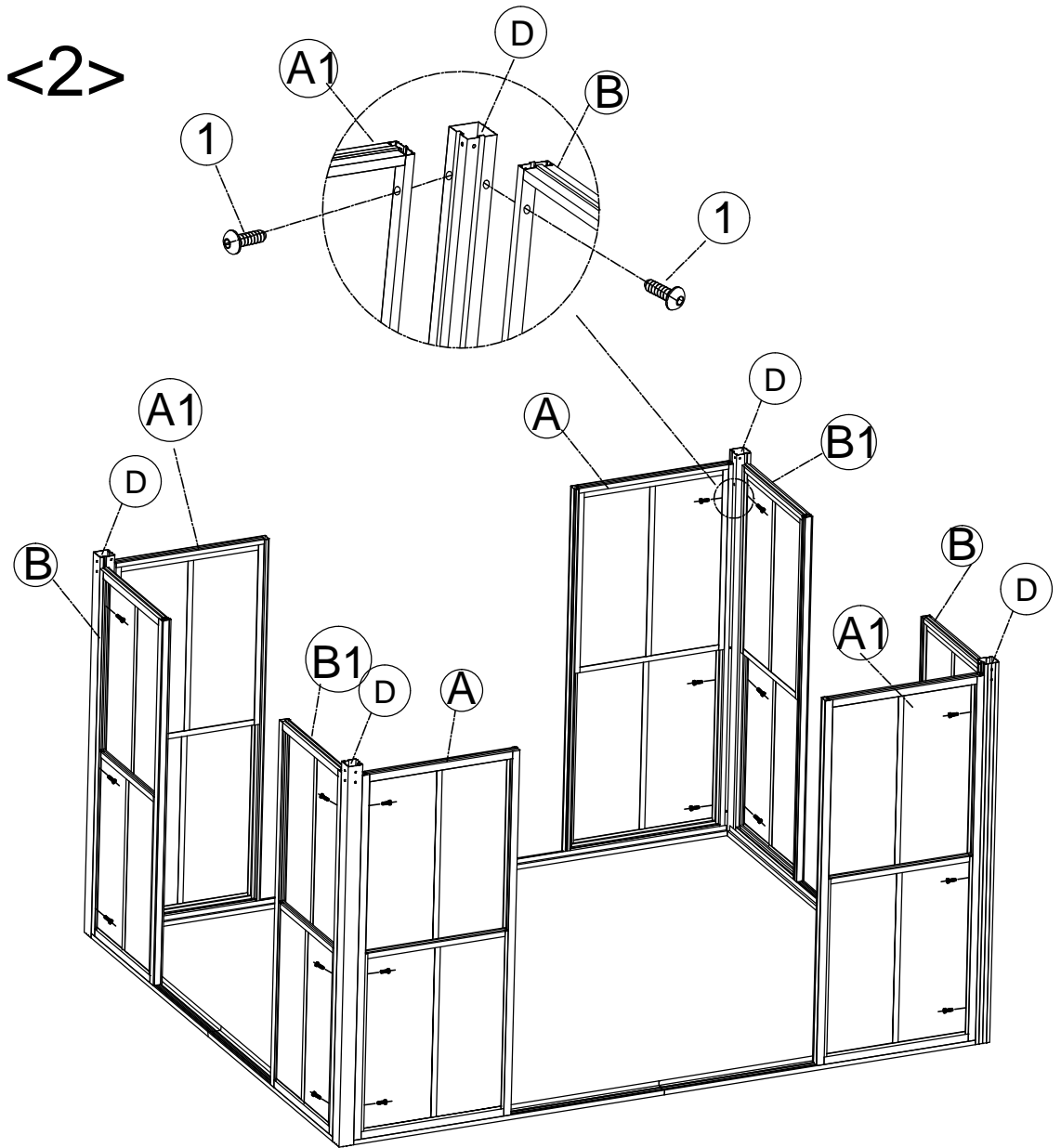


D x4



M6x35mm

1 x24



**Note:** There are additional accessories in D parts.  
Please take them out before assembling D.

Step 2:

As shown in the picture: between door piece A 1 and door piece B, put column D in, use screw 1 to pass through door piece A, connect to column D, and tighten the screws.

Note: All hole positions must be aligned.

<3>



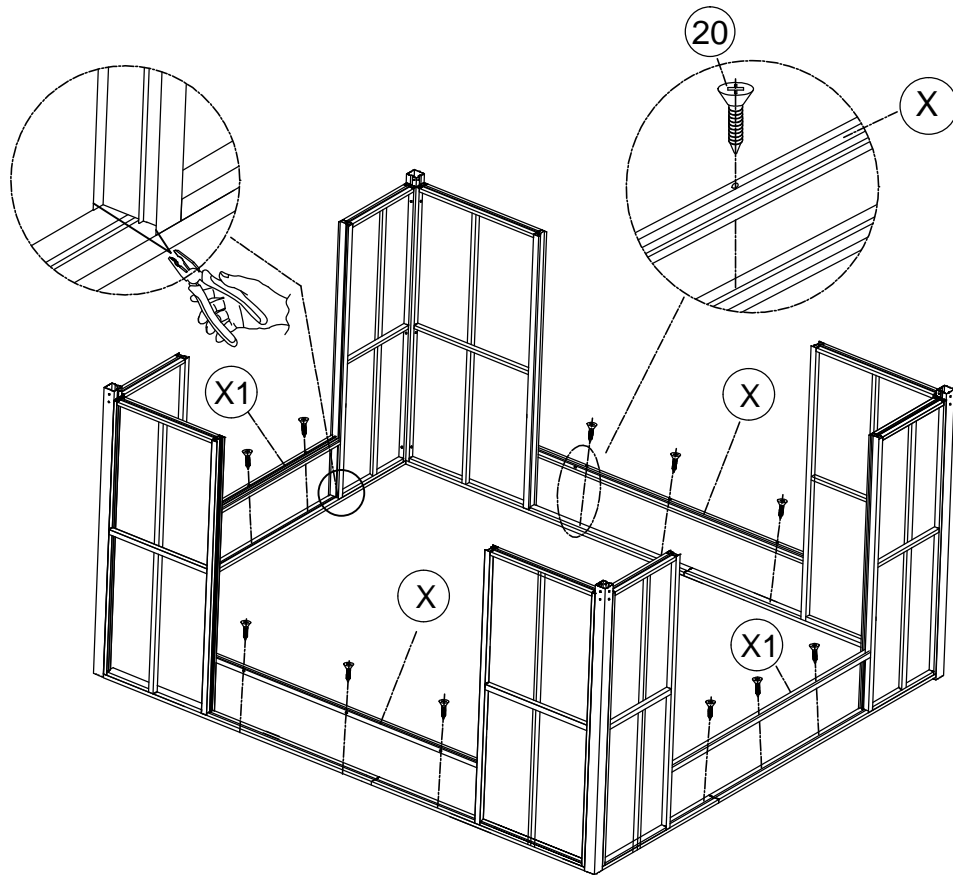
X x2



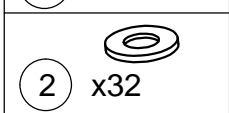
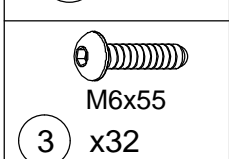
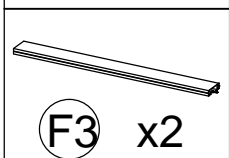
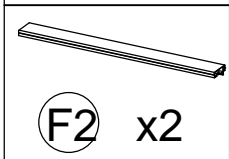
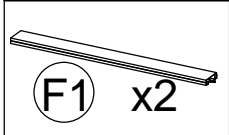
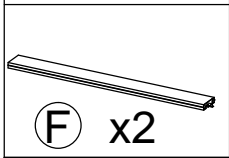
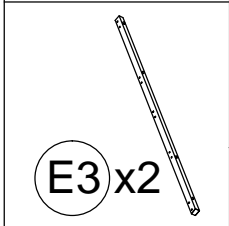
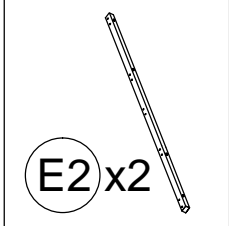
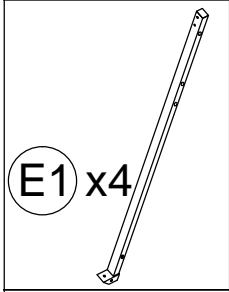
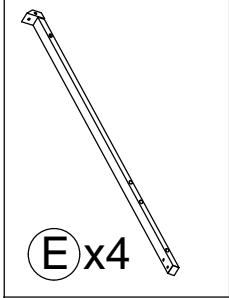
X1 x2



20 x12



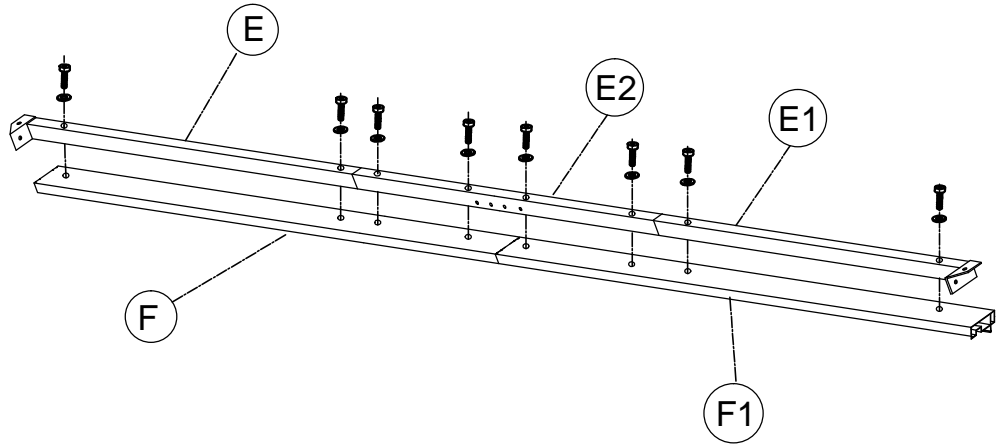
Step 3: As shown in the picture: snap the lower track X into the bottom frame, use self-tapping screws 4 to pass through the lower track and connect to the bottom frame, and tighten the screws. (It is recommended to use a cordless electric drill)



22

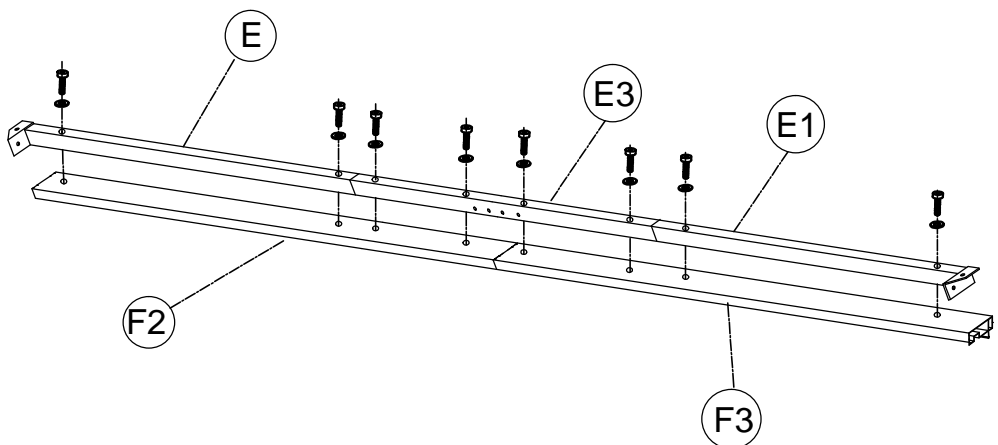
<4>

x2

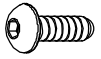


12TF

x2



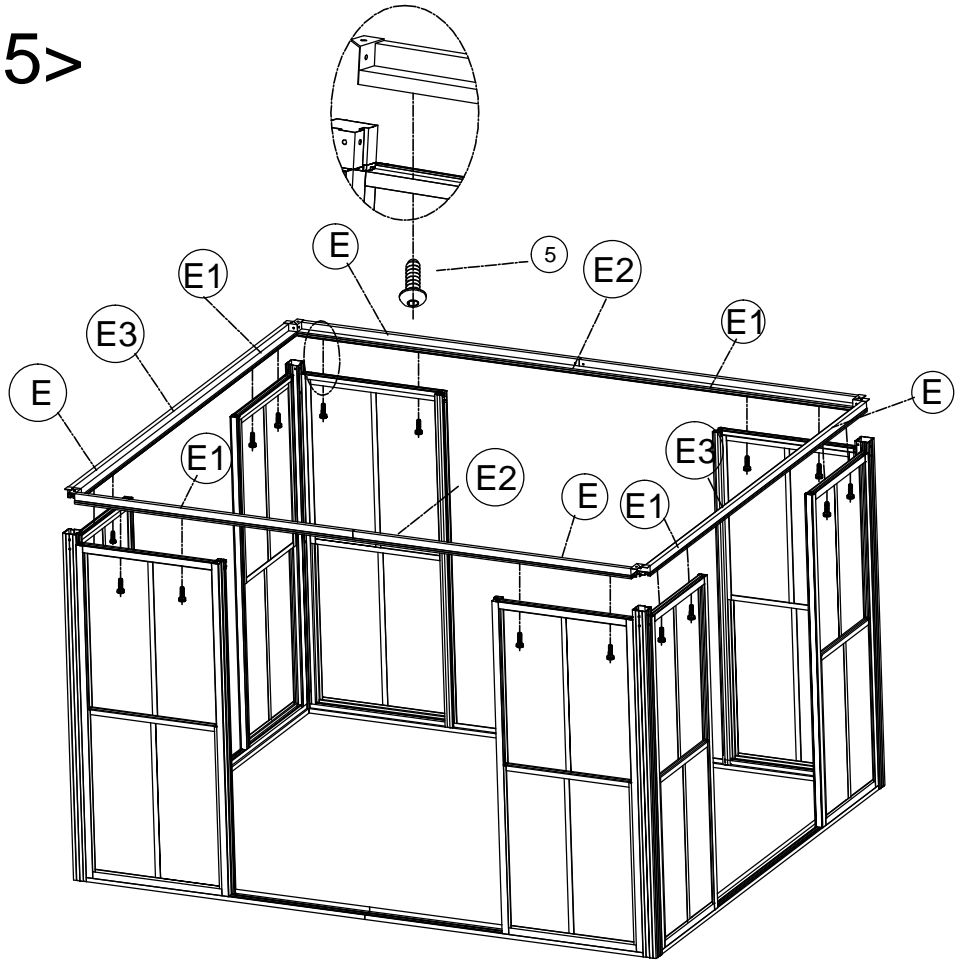
10TF



M6x15mm

5 x16

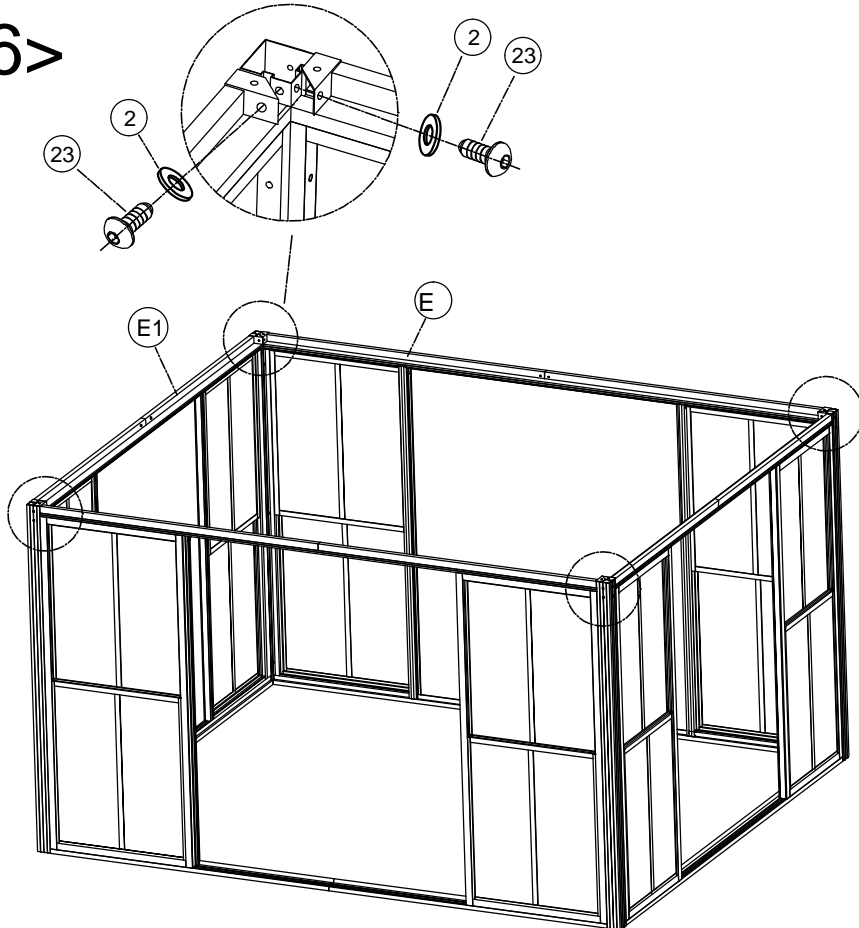
<5>



M6x15mm

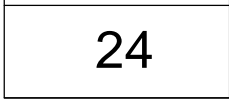
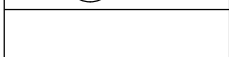
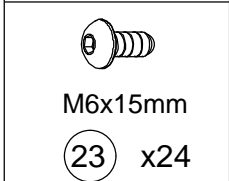
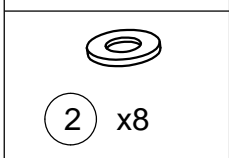
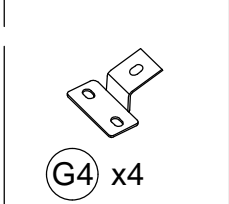
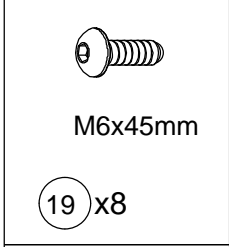
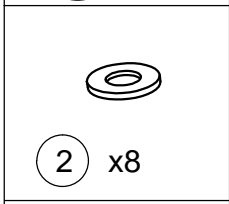
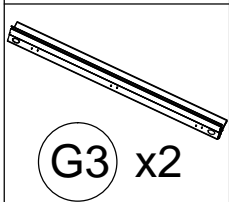
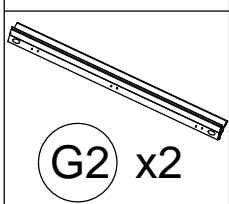
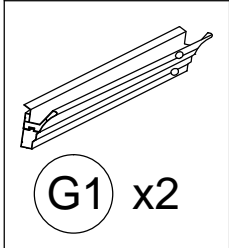
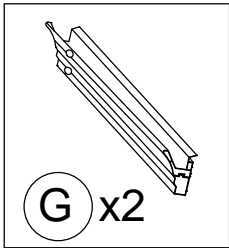
23 x8

<6>

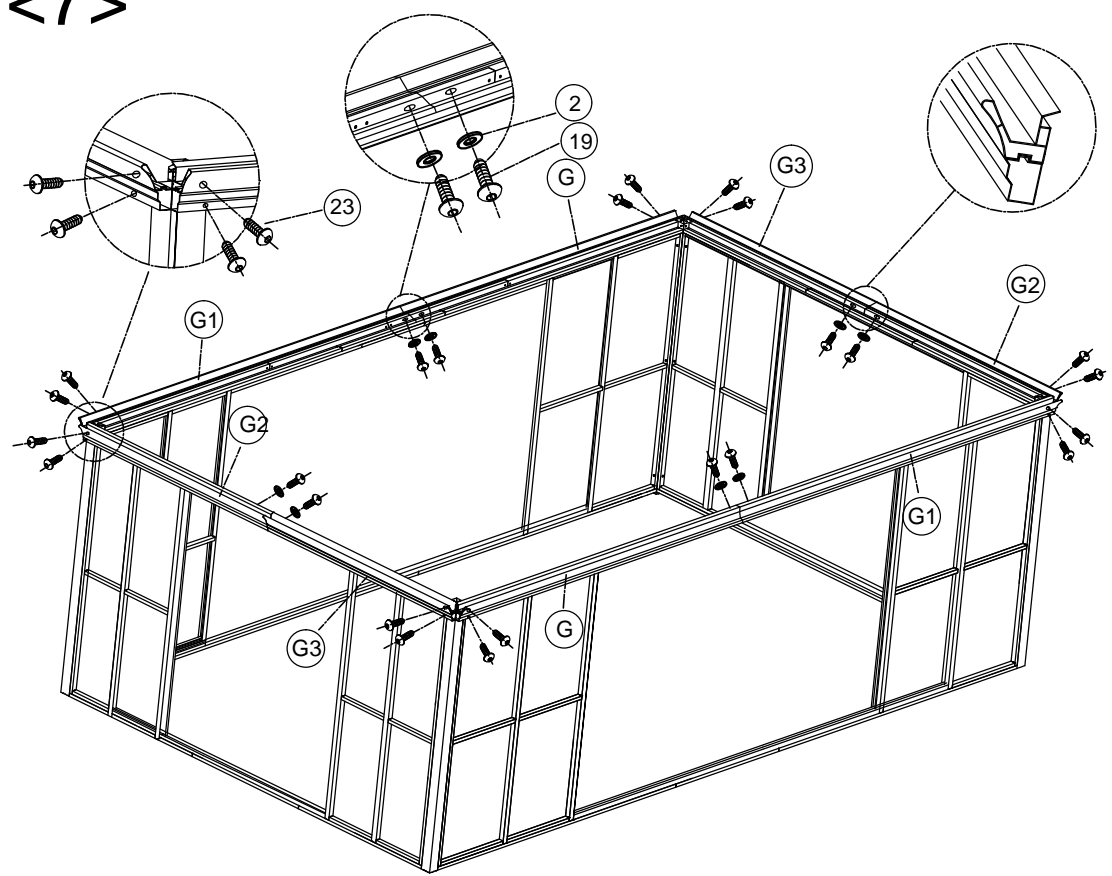


2 x8

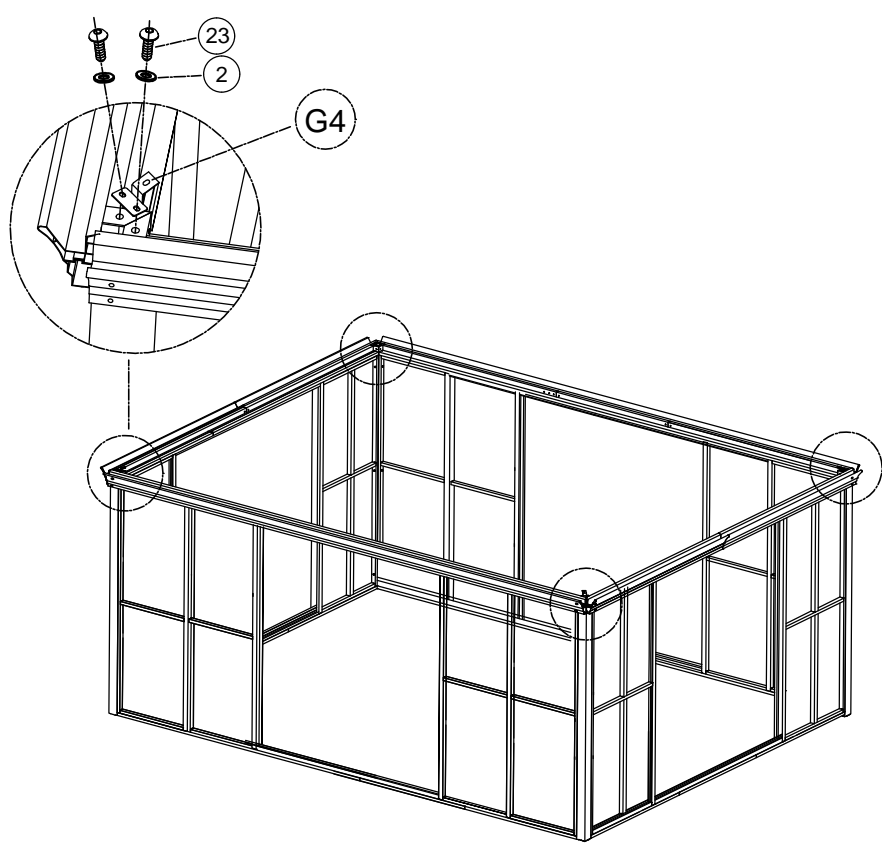
23

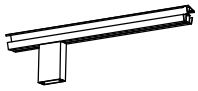


<7>



<8>





(H) x4

<9>



(H1) x4

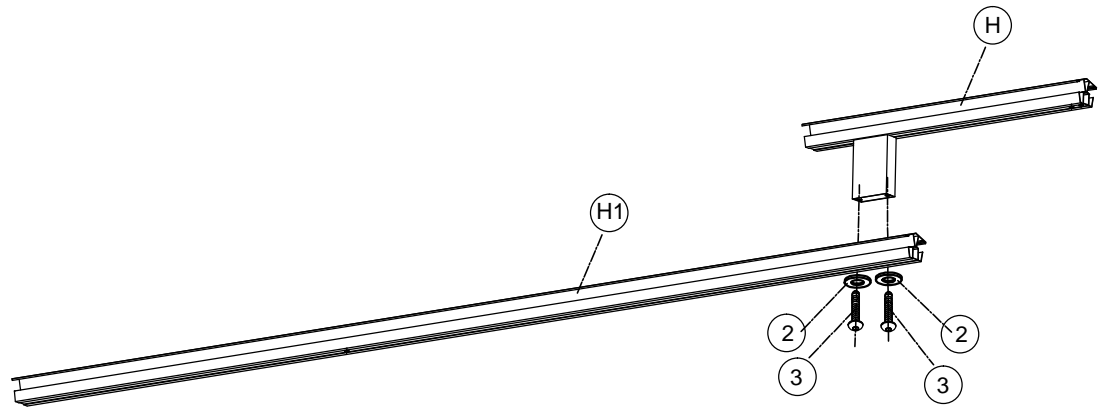


M6x55mm

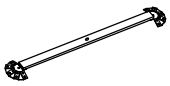
(3) x8



(2) x8



x4



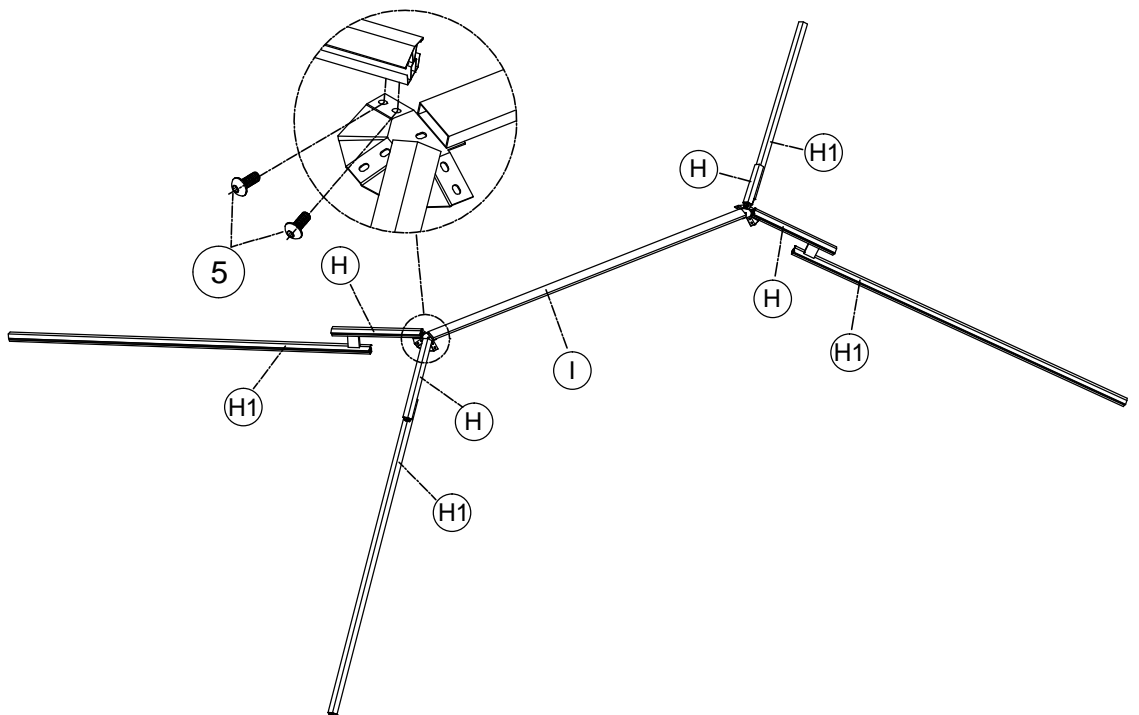
(I) x1

<10>



M6x15mm

(23) x8



25



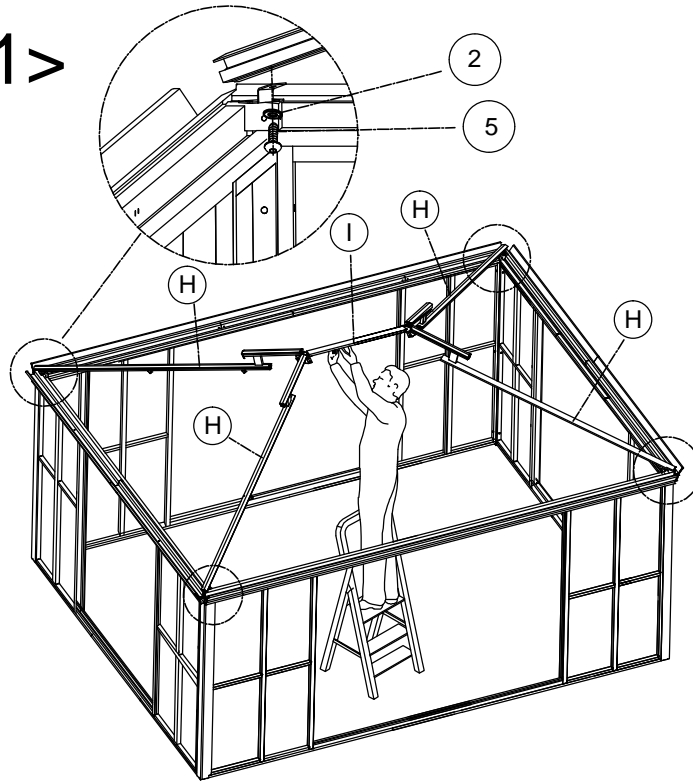
2 x4



M6x15mm

23 x4

<11>



Note:

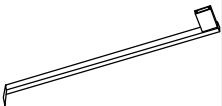
1. Let one person stand on the ladder to lift "I" and hold and let others fasten the screws connecting both ends of "H".

2. Please do not let go of holding "I" until all the "H" screws are installed.



<12>

J x6

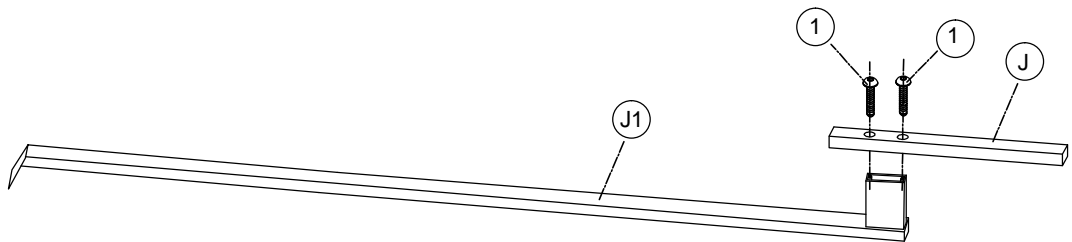


J1 x6



M6x35mm

1 x12



x6



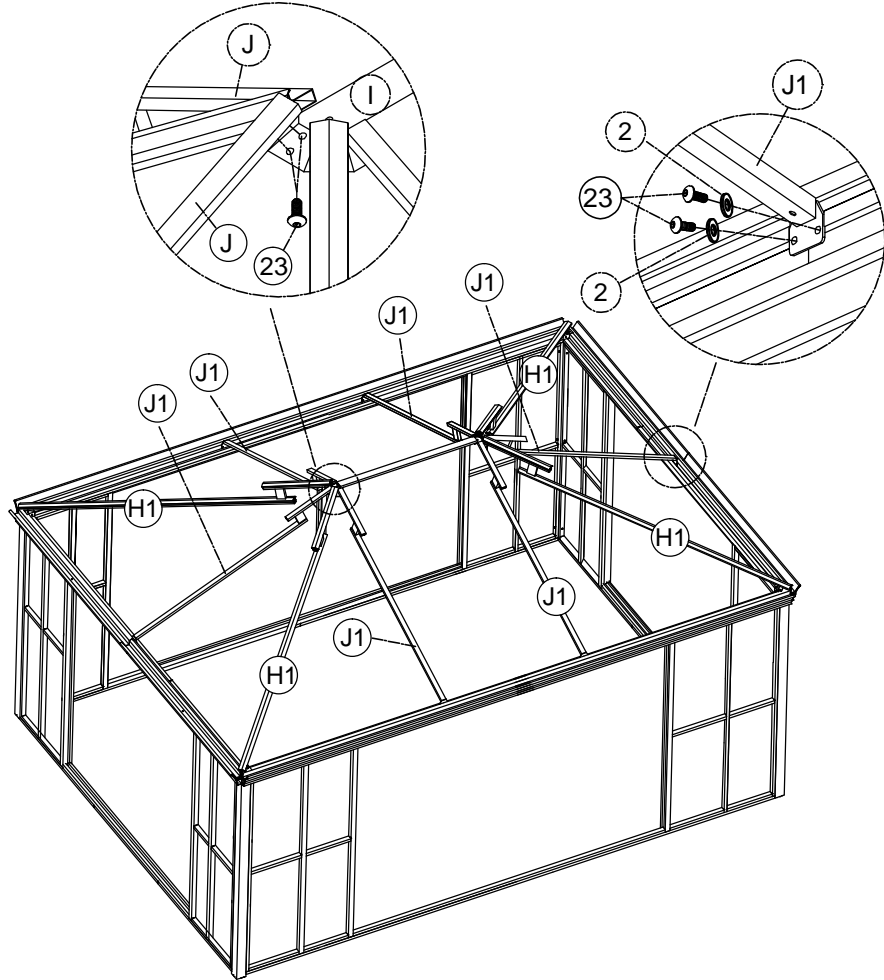
② x12

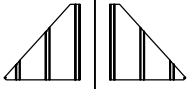


M6x15mm

②③ x24

<13>





(M) x2



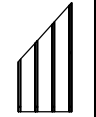
(M1) x2



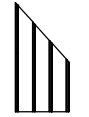
(M2) x2



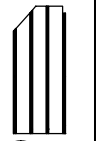
(M7) x2



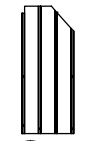
(M3) x2



(M6) x2

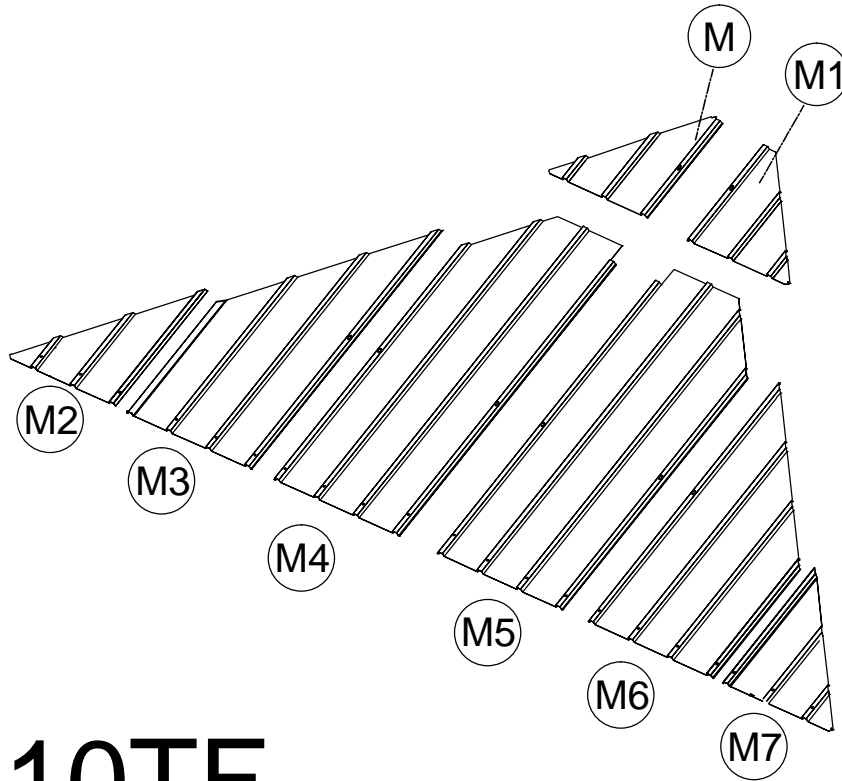


(M4) x2



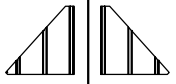
(M5) x2

<14>



x2

10TF



(M) x2



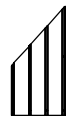
(M1) x2



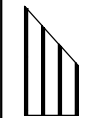
(M2) x2



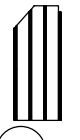
(M7) x2



(M3) x2



(M6) x2



(M4) x2



(M5) x2

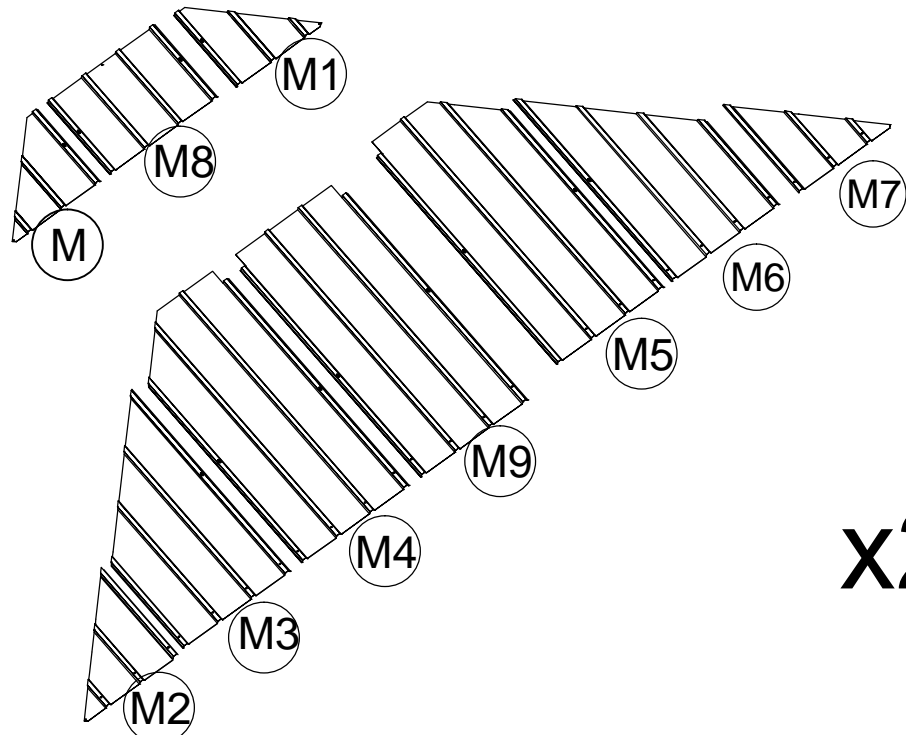


(M8) x2



(M9) x2

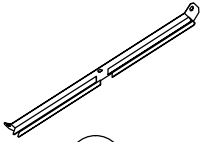
<15>



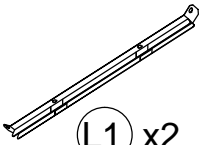
x2

12TF

# <16>



L x2

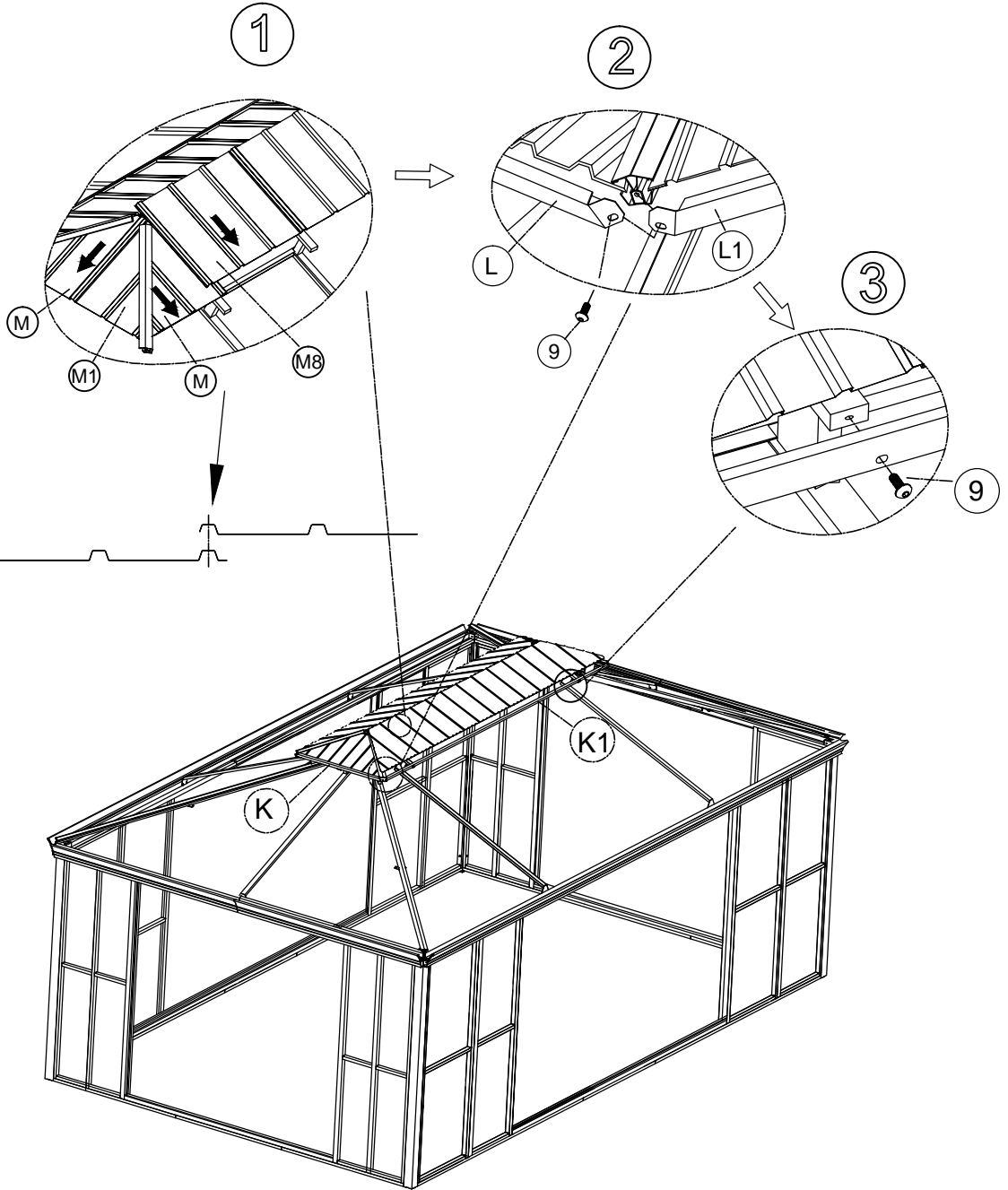


L1 x2



M6x25mm

9 x10



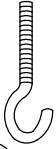


(N) x1



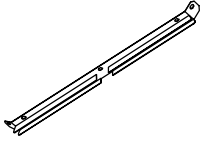
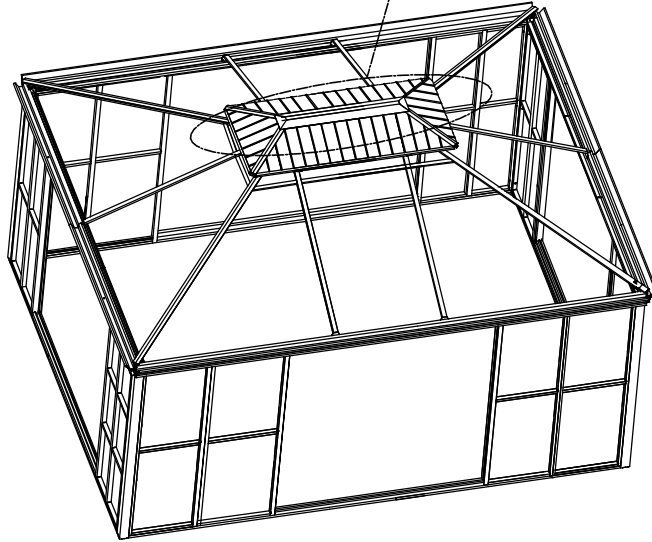
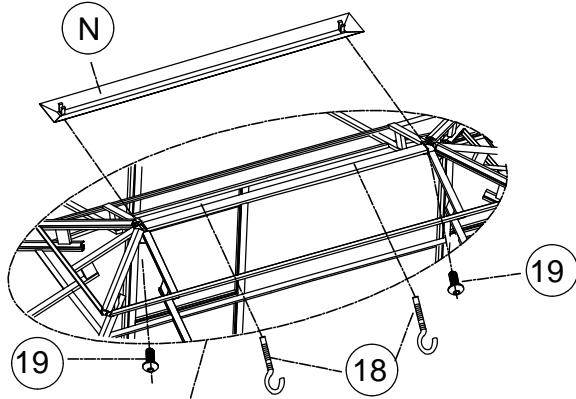
M6x45mm

(19) x2

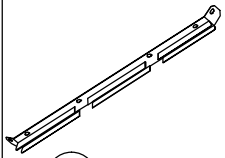


(18) x2

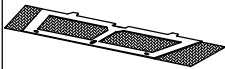
<17>



(K) x2



(K1) x2



(K2) x2



(K3) x2



M6x15mm

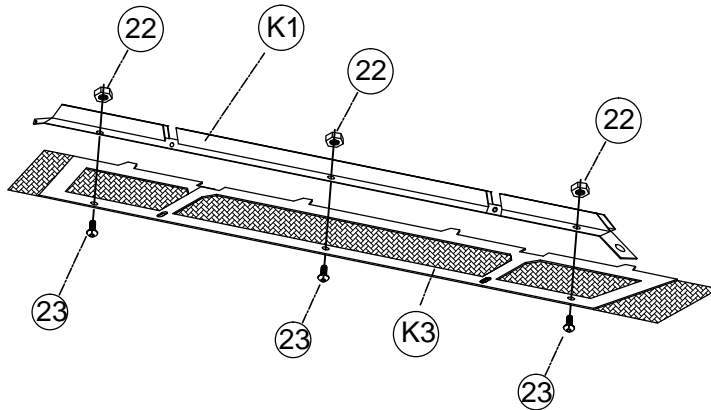
(23) x12



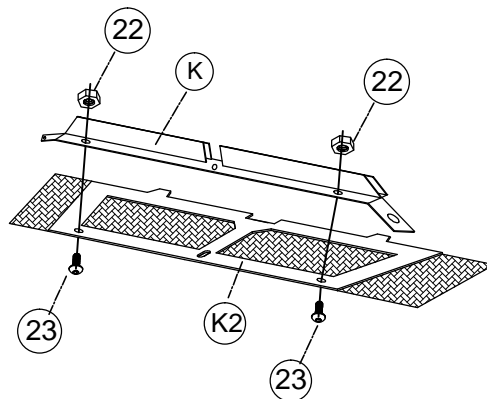
M6

(22) x12

<18>



x2



x2

30

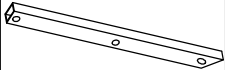
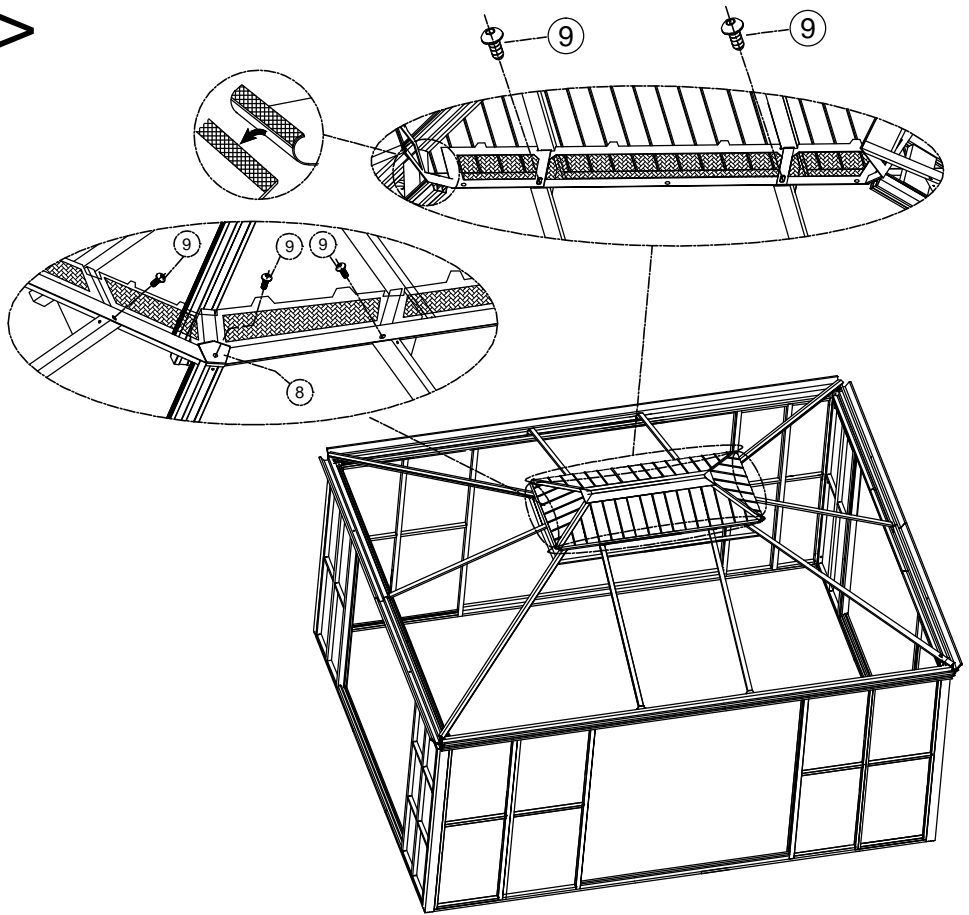


M6x25mm  
9 x10

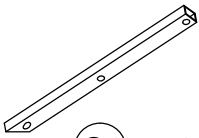


8 x4

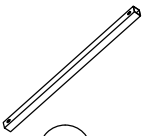
# <19>



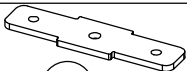
O x4



O1 x4



O2 x2



6 x6



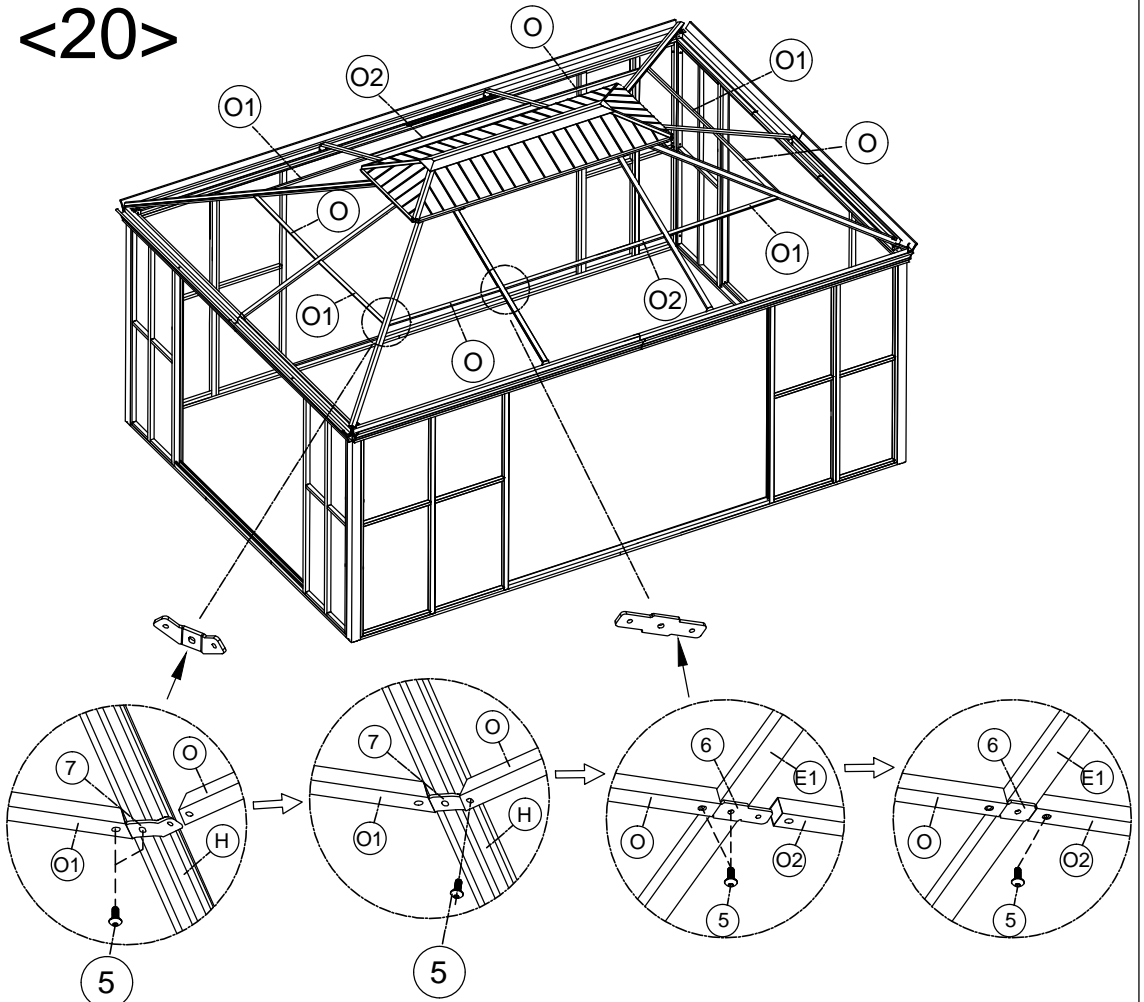
7 x4



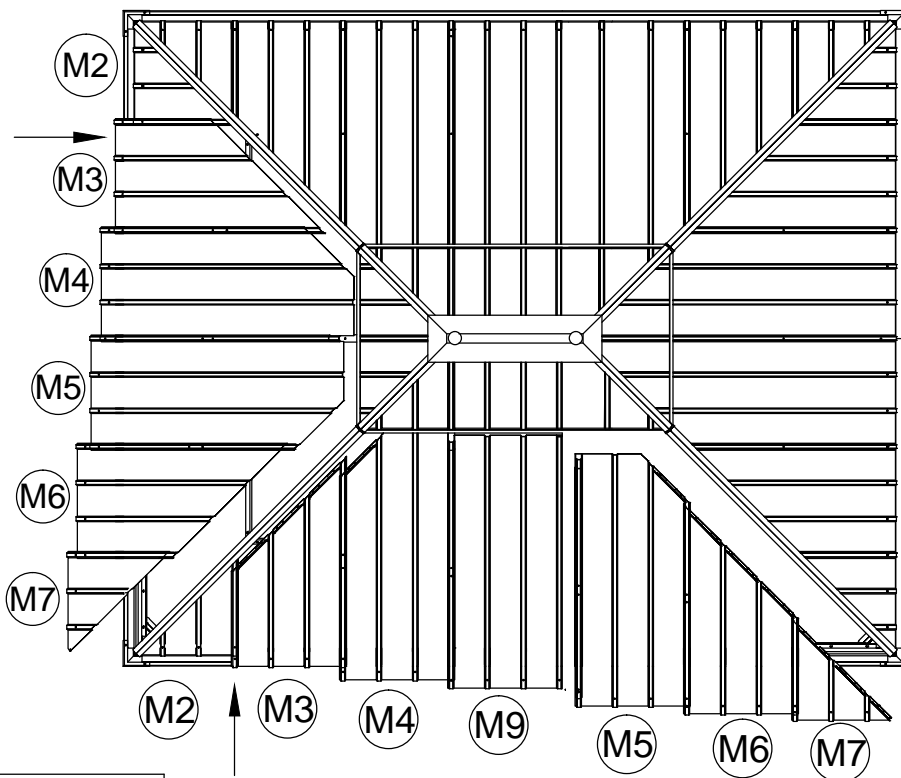
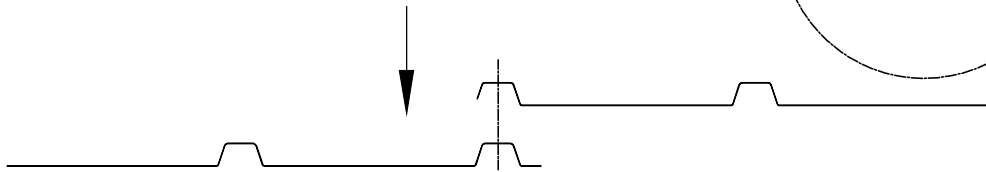
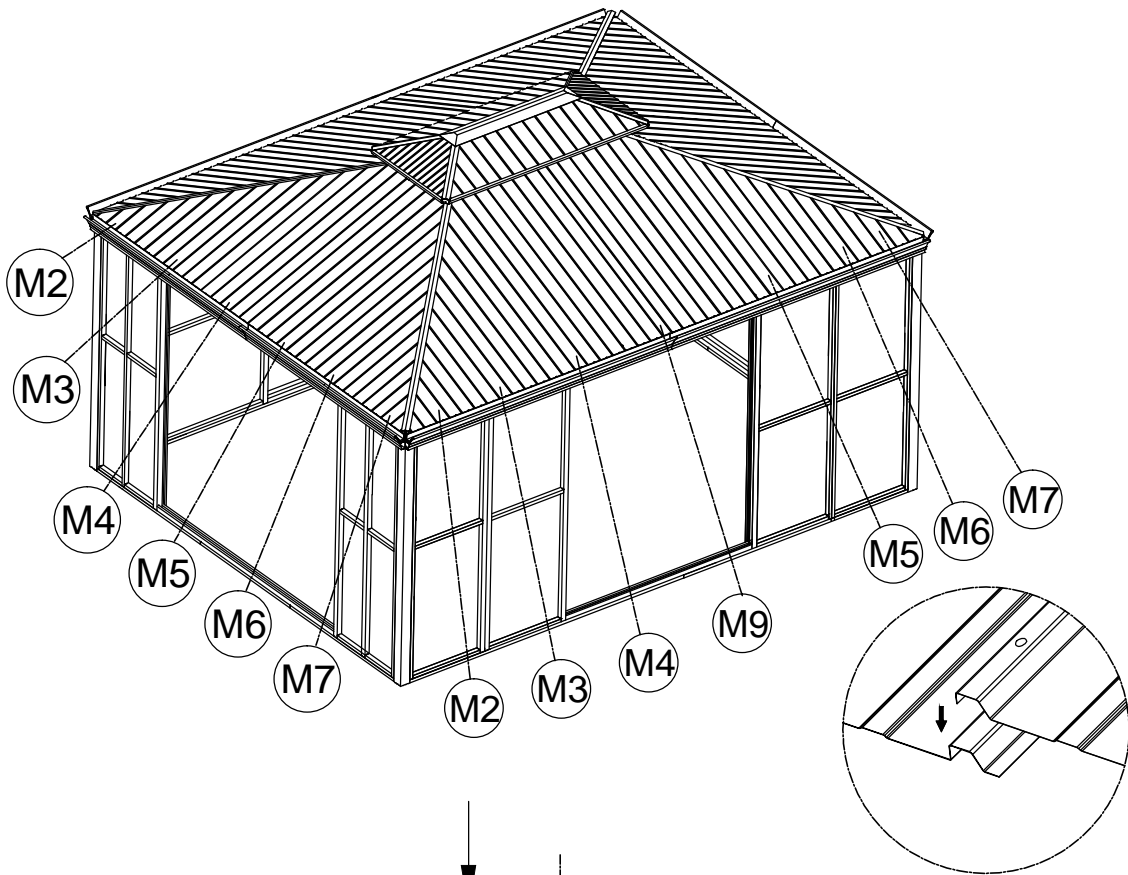
M6x15mm  
23 x30

31

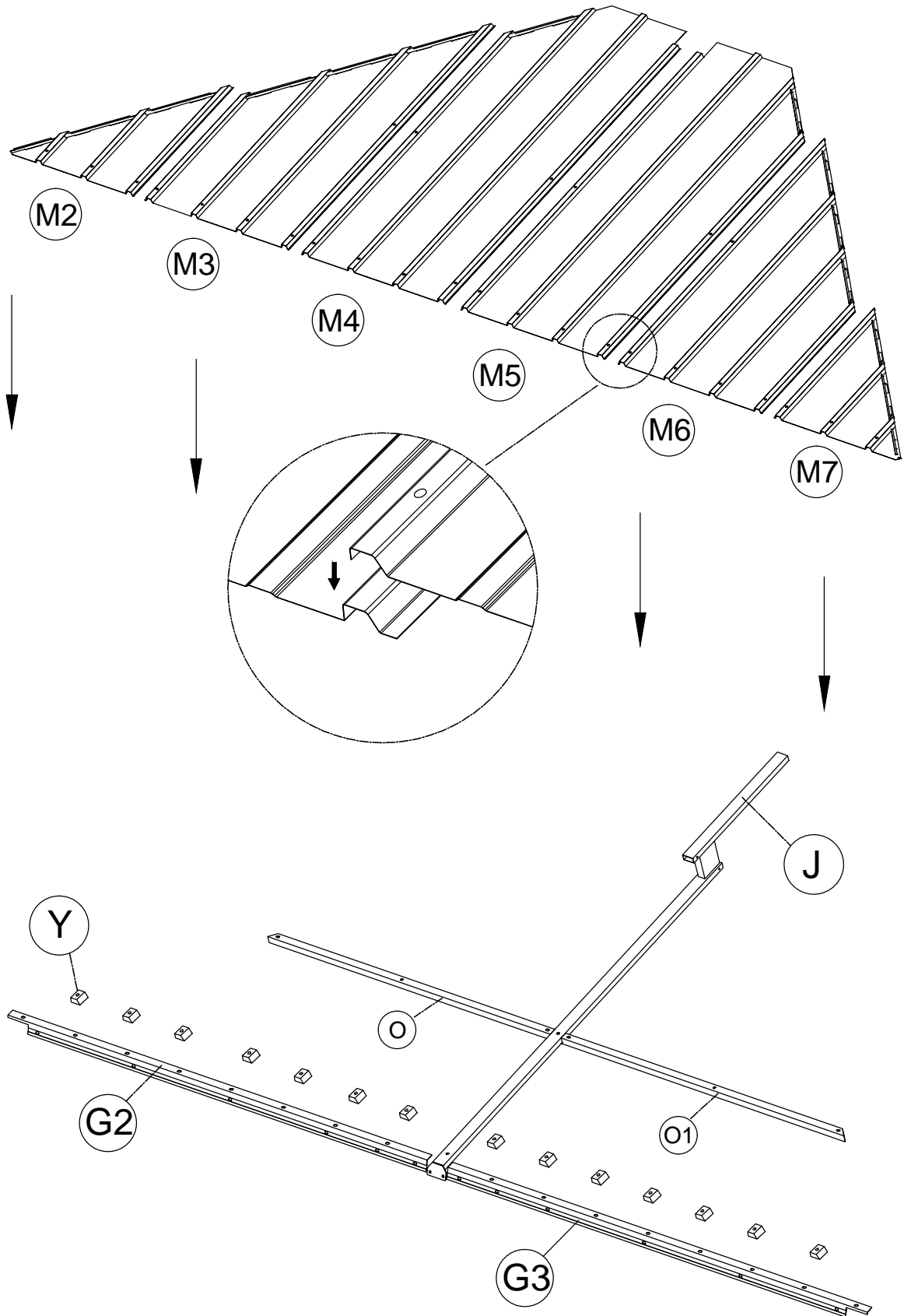
# <20>



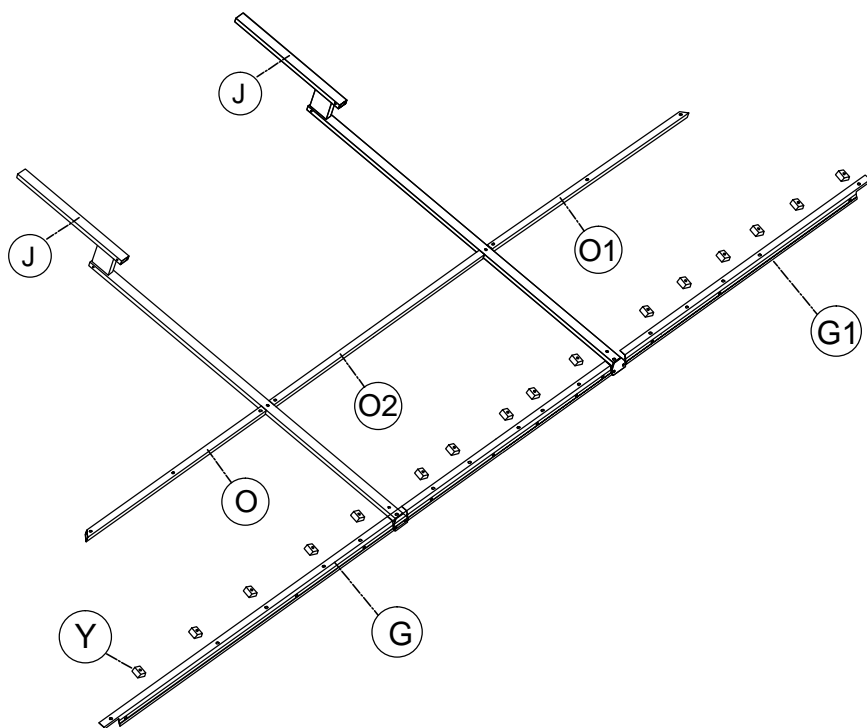
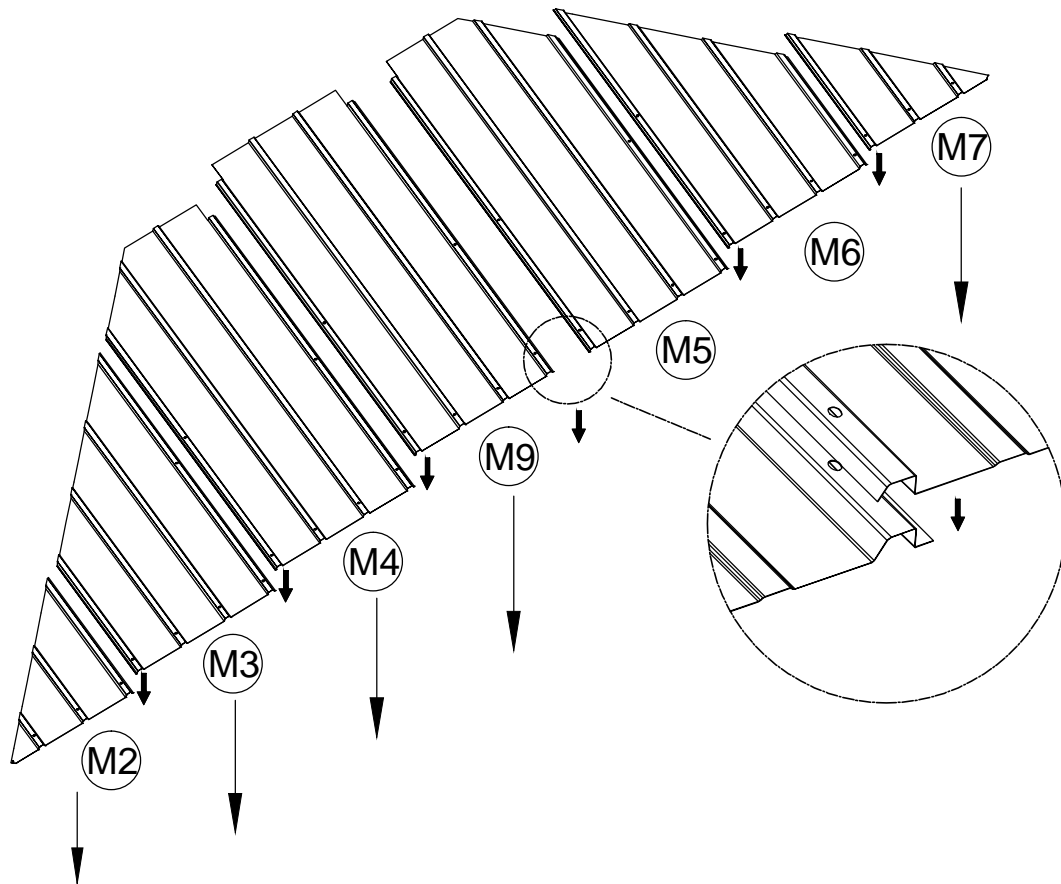
<20>



<21>



<22>





<23>

Y x60



M6x25mm

9 x80

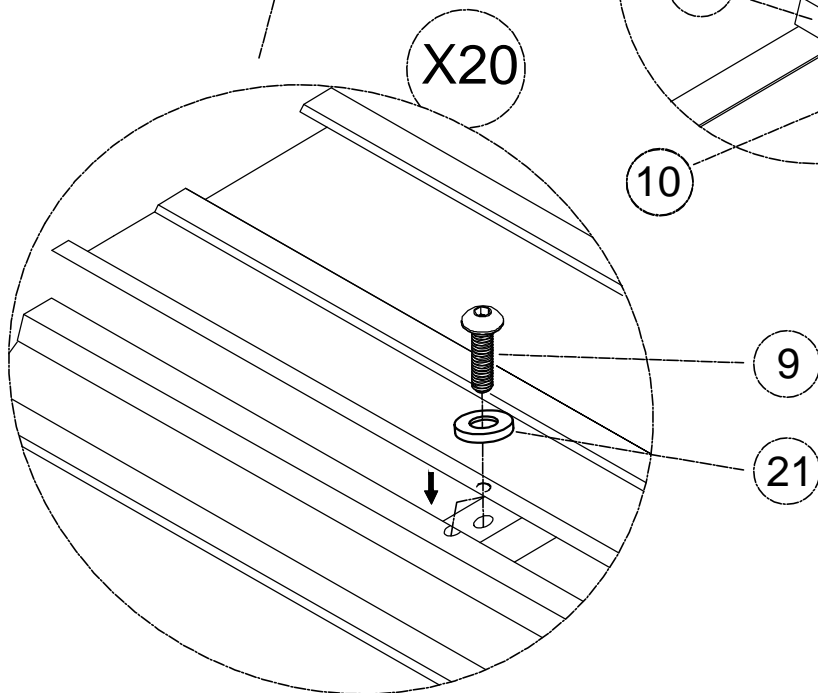
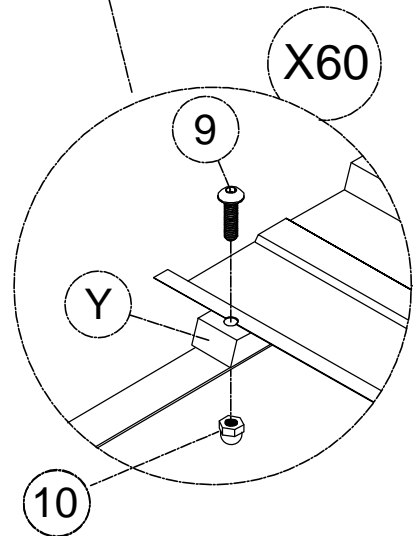
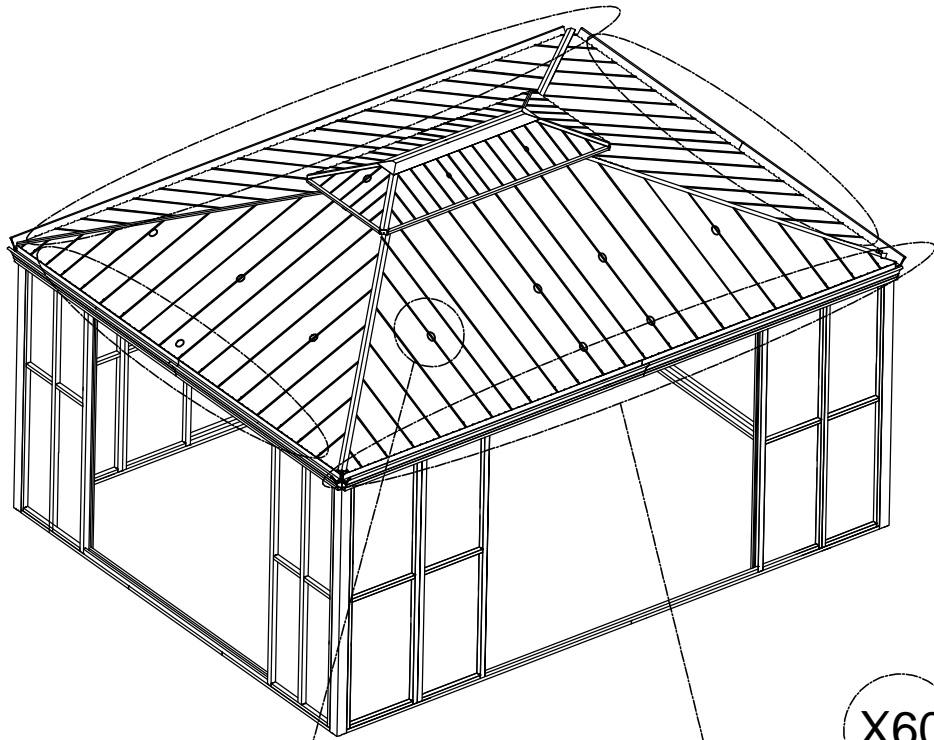


M6

10 x60



22 x20

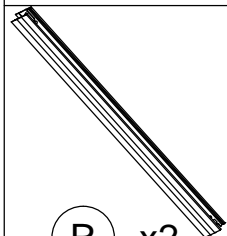




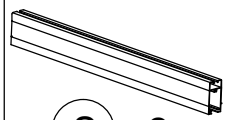
4 x4



T x2



R x2



S x2



P x2



11 x2



12 x2



13 x2



14 x2

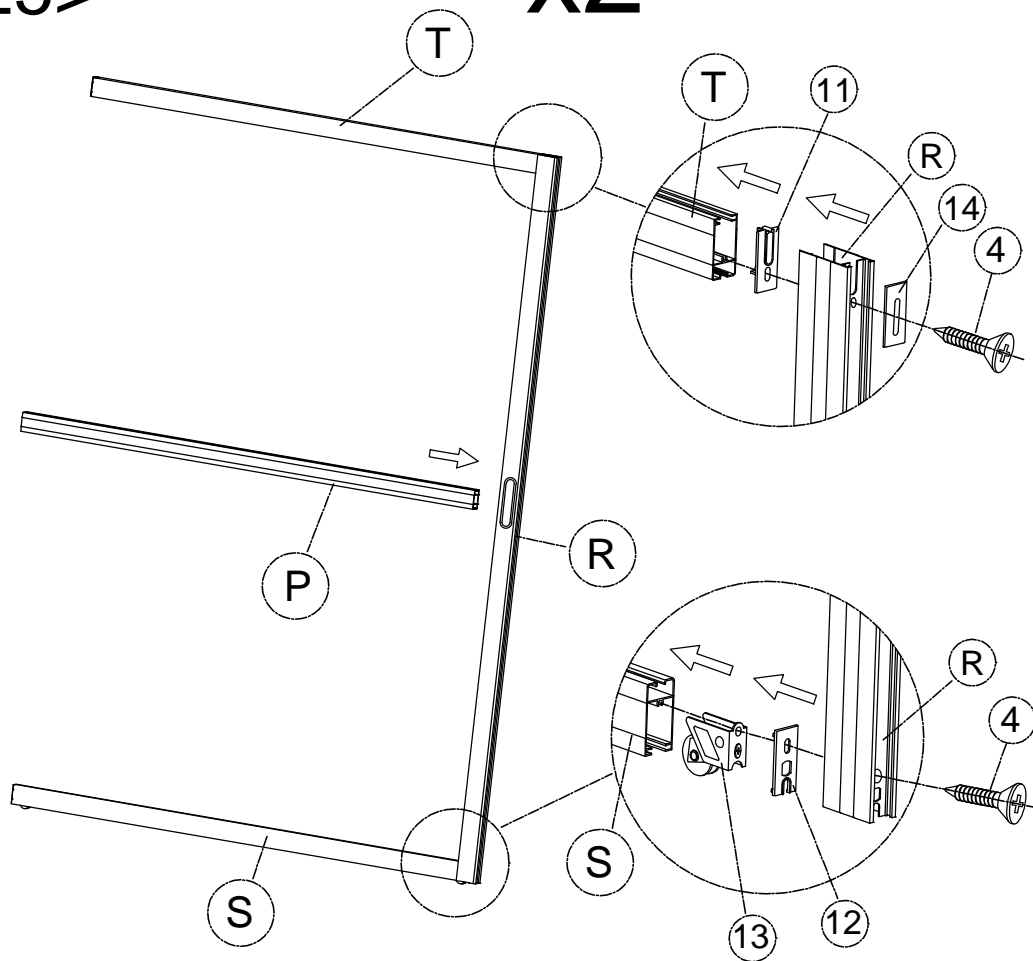


Q x4

36

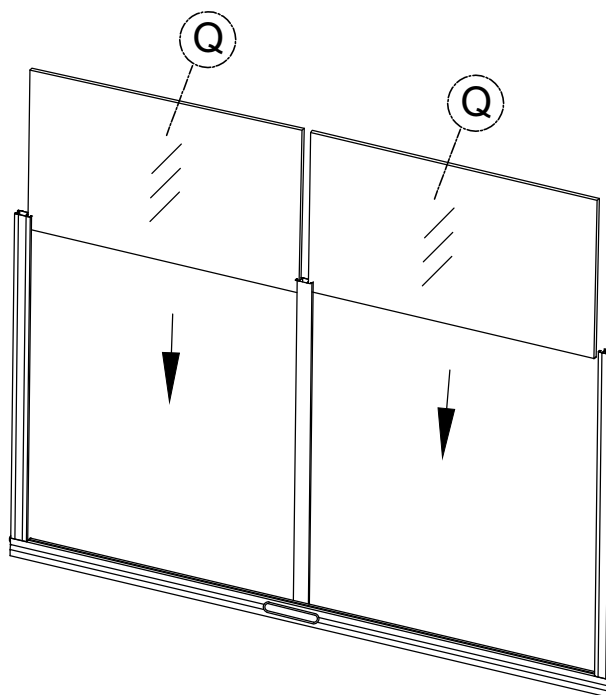
<25>

x2



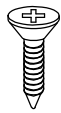
<26>

x2





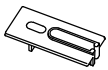
Z1 x4



4 x4



U x2



11 x2



12 x2



13 x2



14 x2

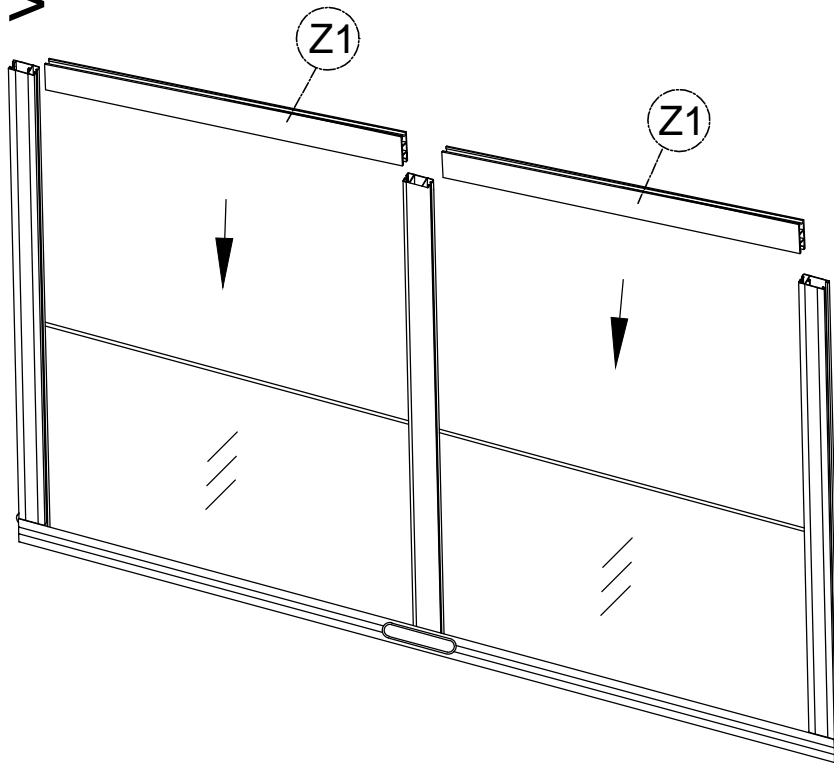


Q x4

37

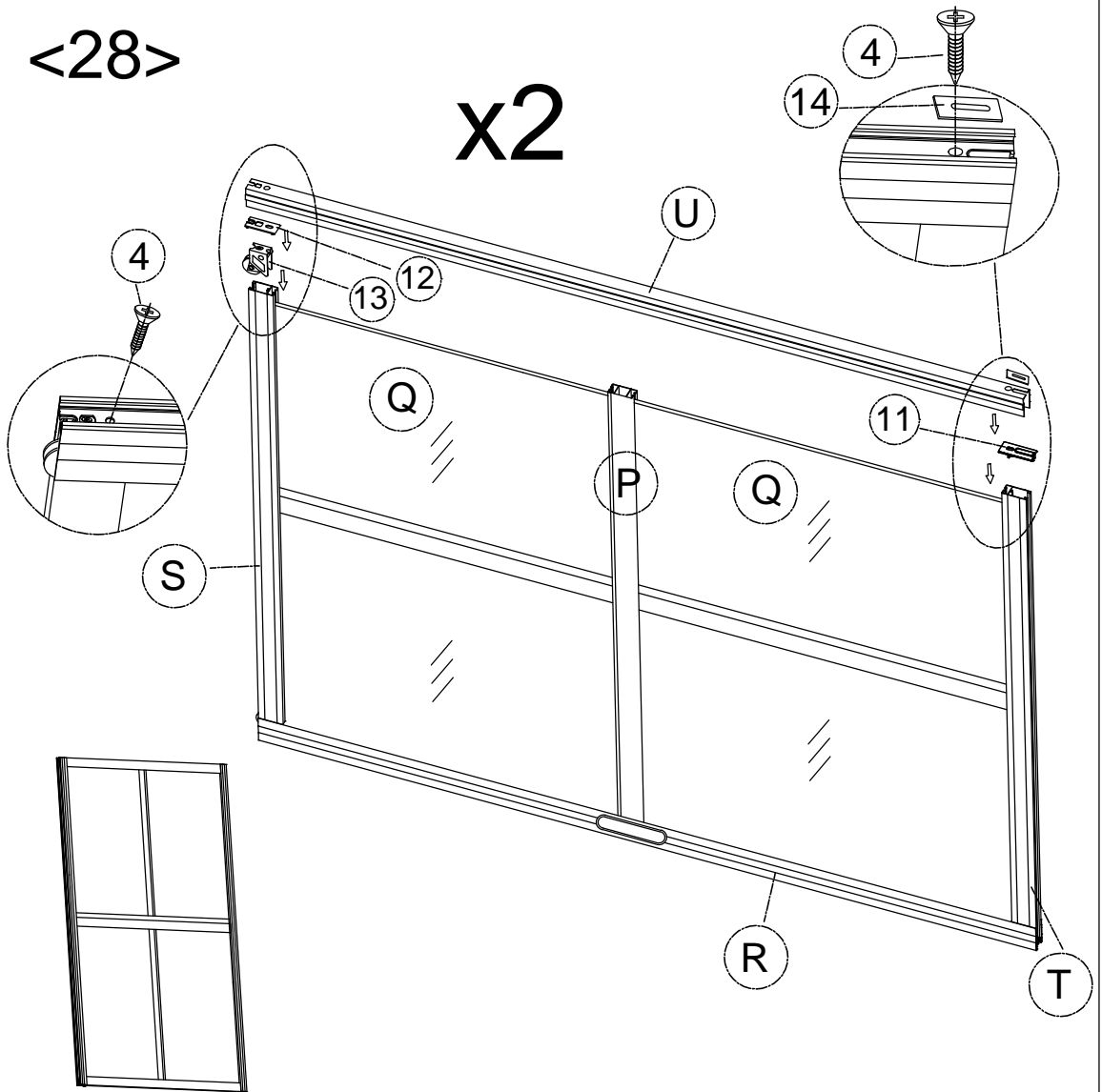
<27>

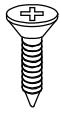
x2



<28>

x2

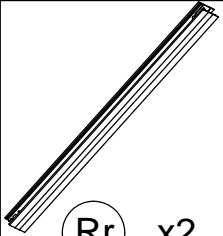




4 x4



T x2



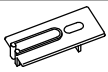
Rr x2



S x2



P x2



11 x2



12 x2



13 x2

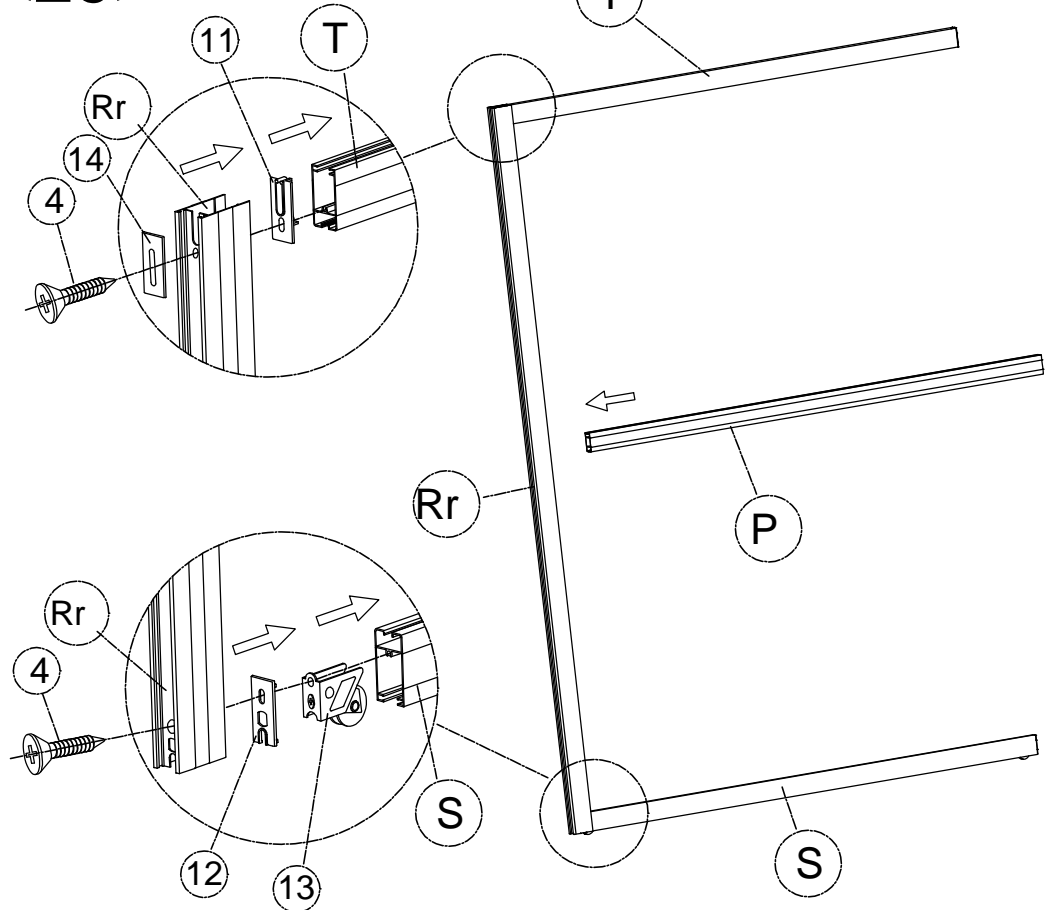


14 x2

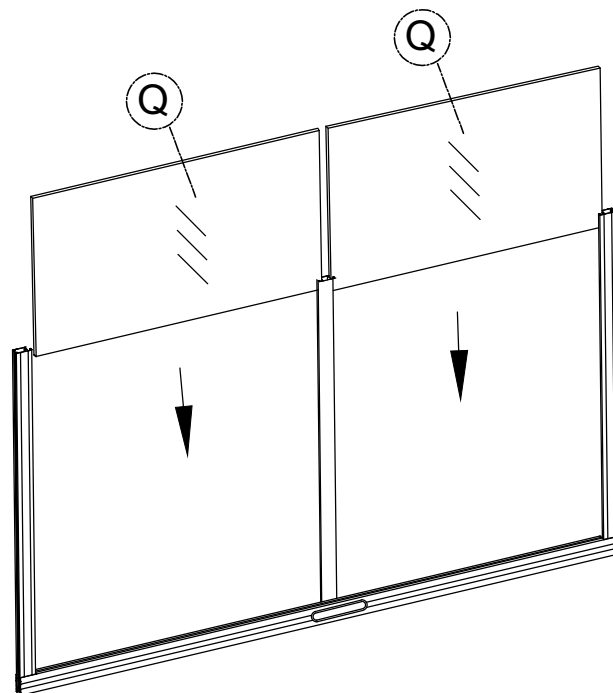


Q x4

<29>



<30>

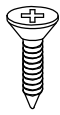
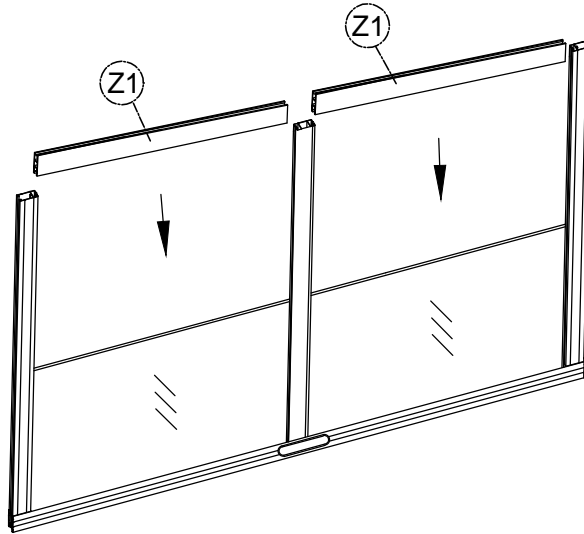




Z1 x4

<31>

x2



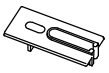
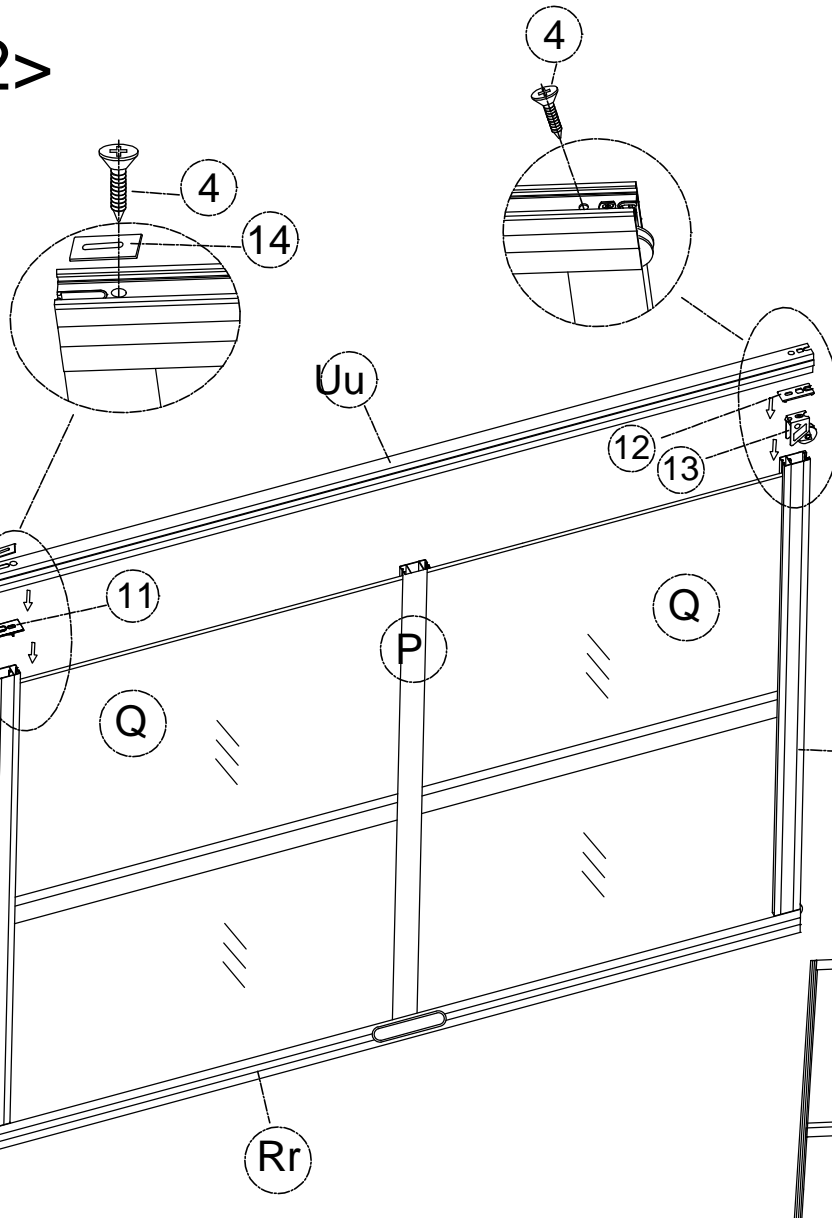
4 x4

<32>

x2



Uu x2



11 x2



12 x2



13 x2

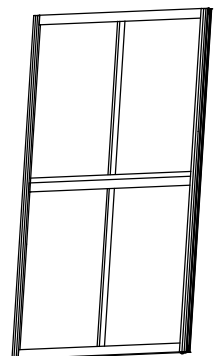


14 x2



Q x4

39

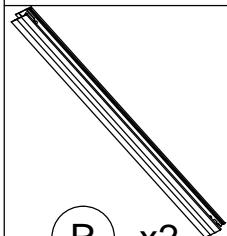




4 x8



T1 x2



R x2



S1 x2



P1 x2



11 x2



12 x2



13 x2



14 x2

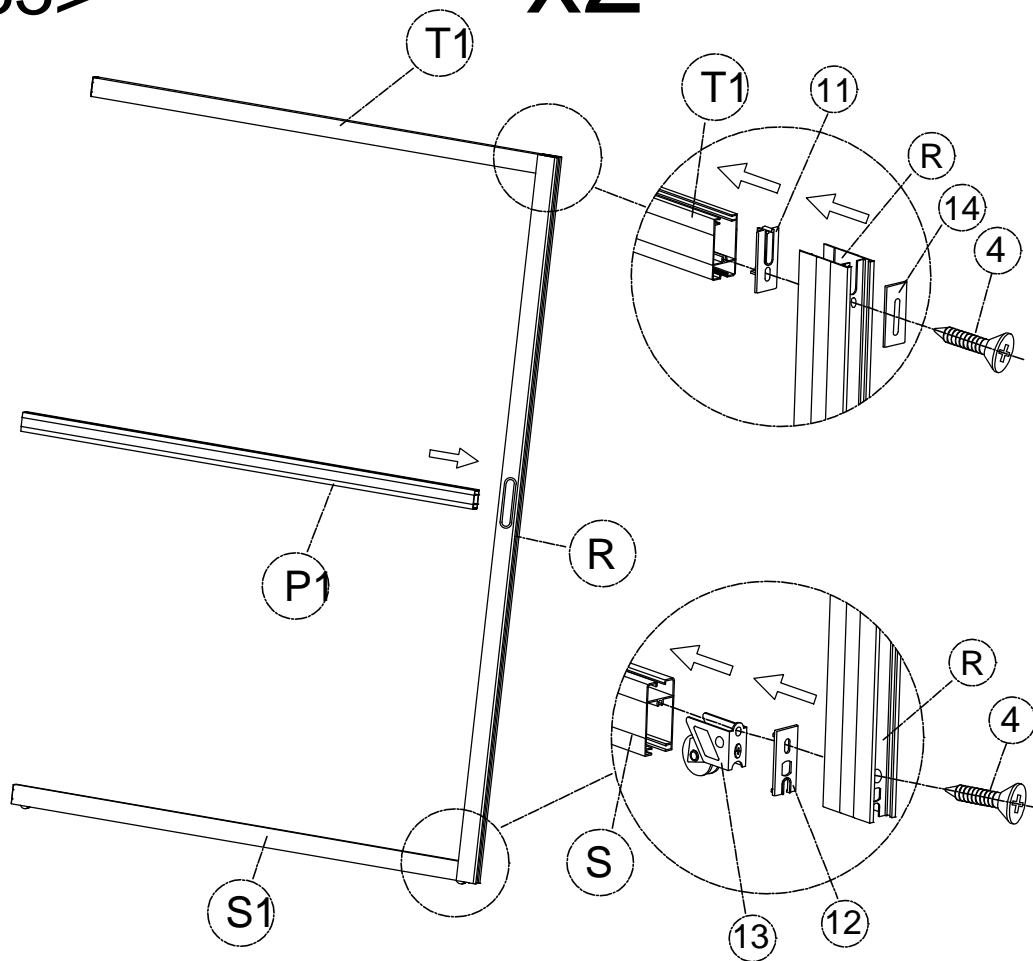


Q1 x4

40

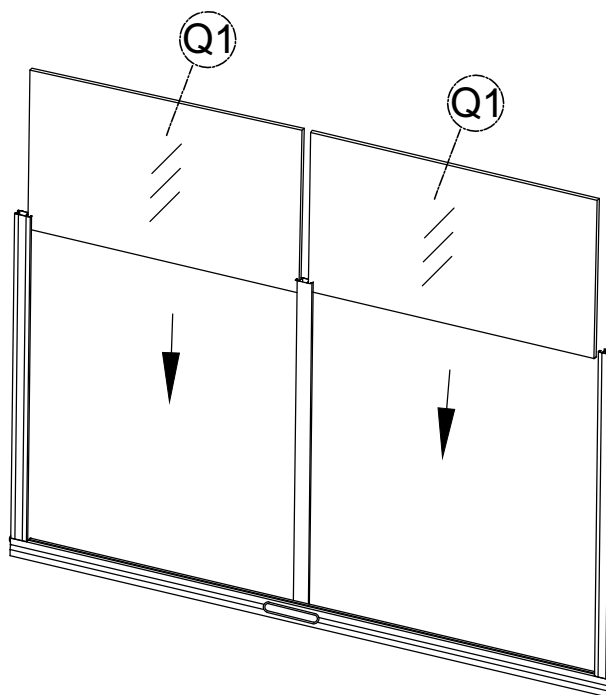
<33>

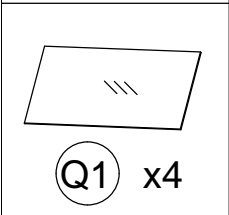
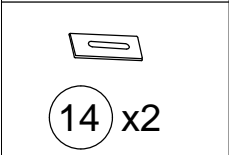
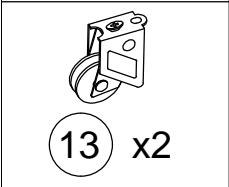
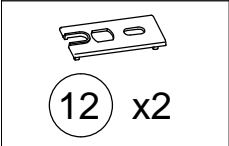
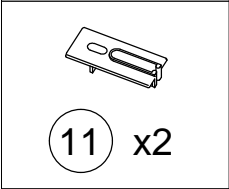
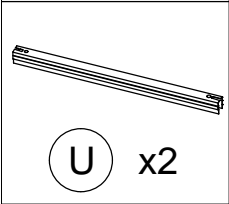
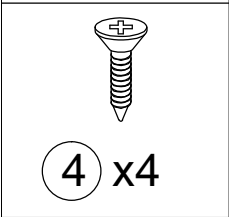
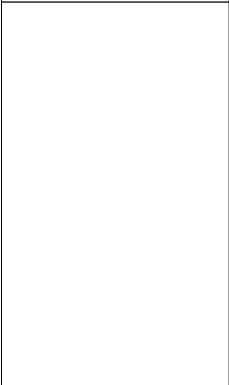
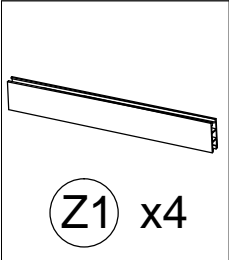
x2



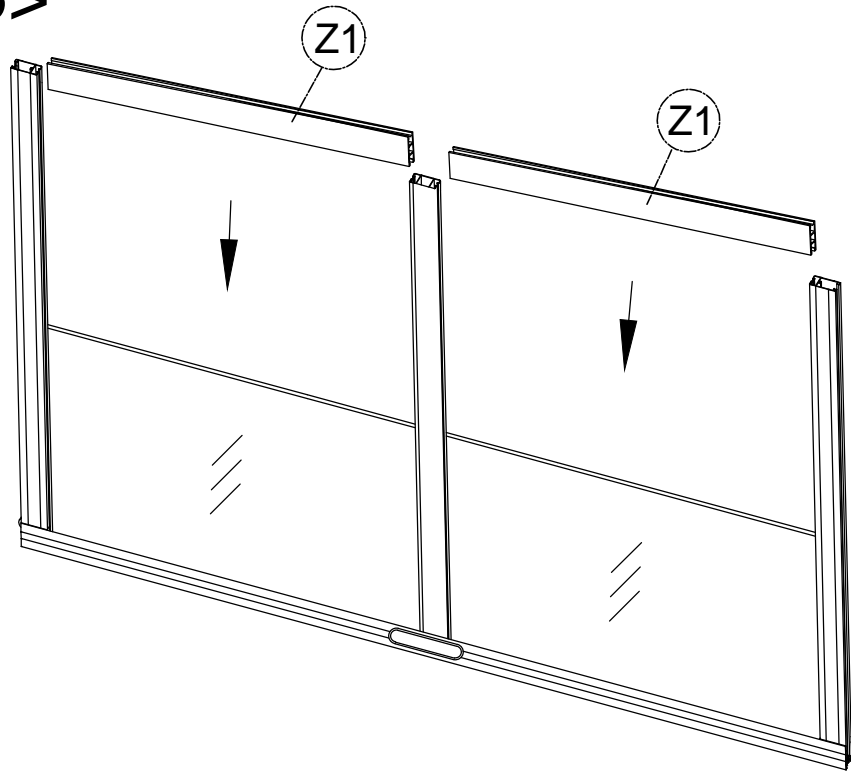
<34>

x2



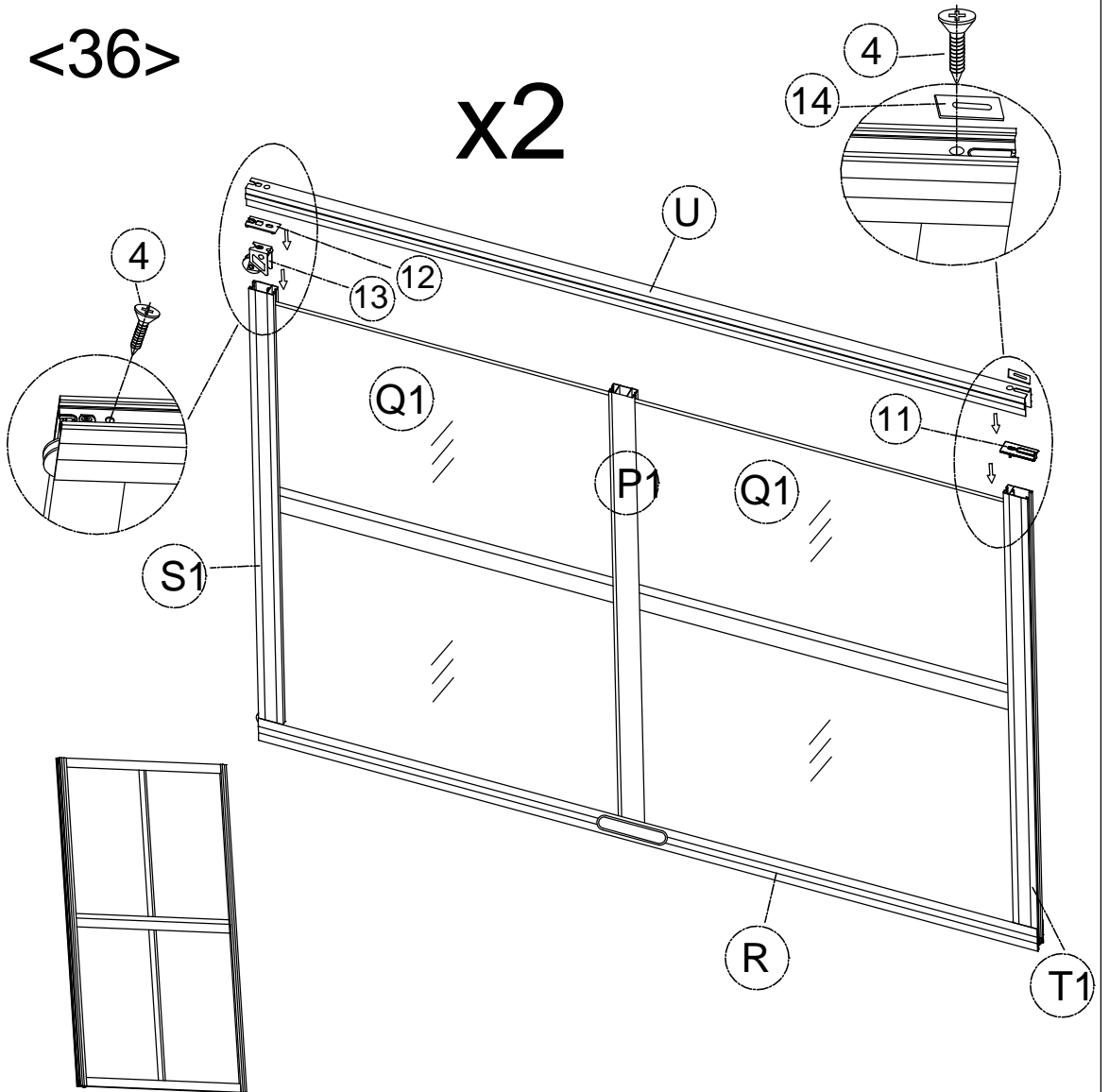


<35>



x2

<36>



x2

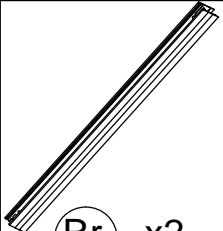
41



4 x4



T1 x2



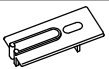
Rr x2



S1 x2



P1 x2



11 x2



12 x2



13 x2



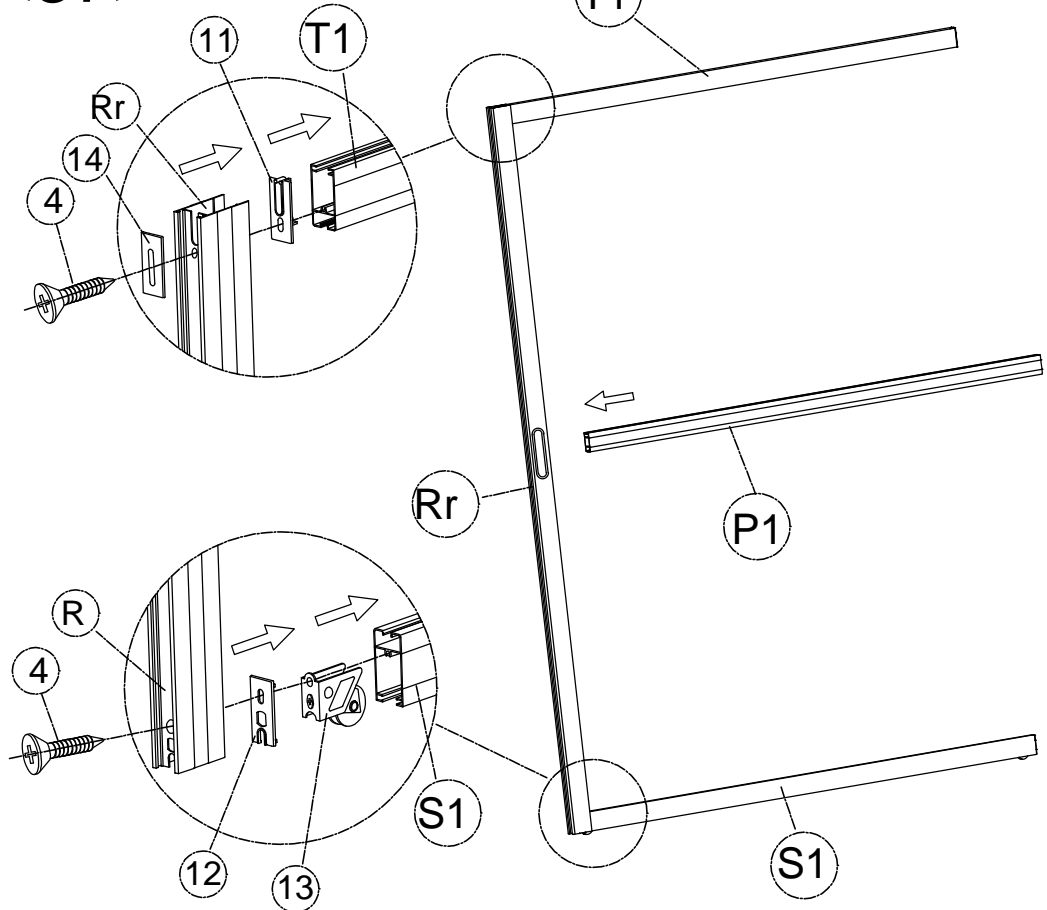
14 x2



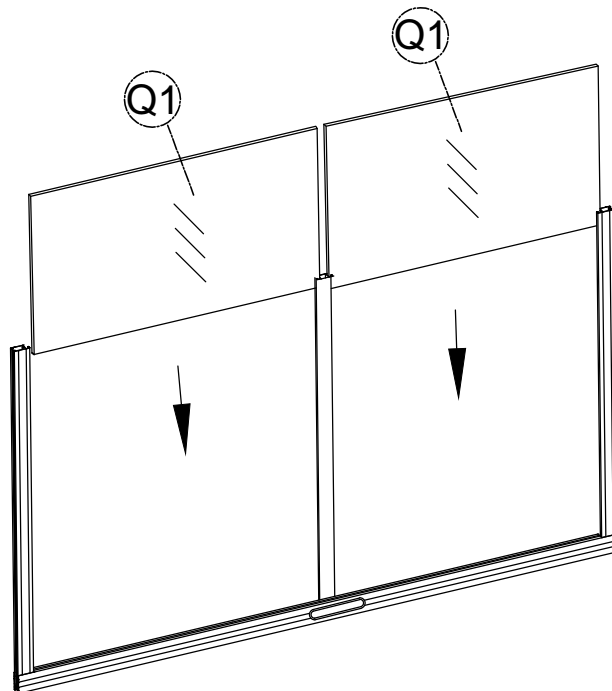
Q1 x4

42

<37>



<38>



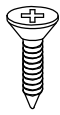
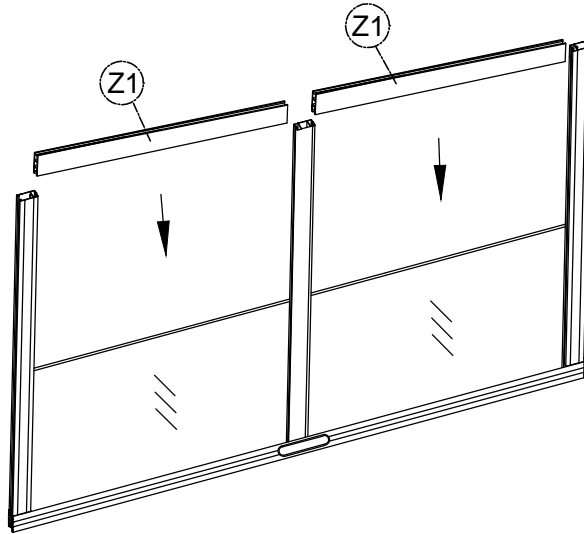
x2



Z1 x4

<39>

x2



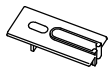
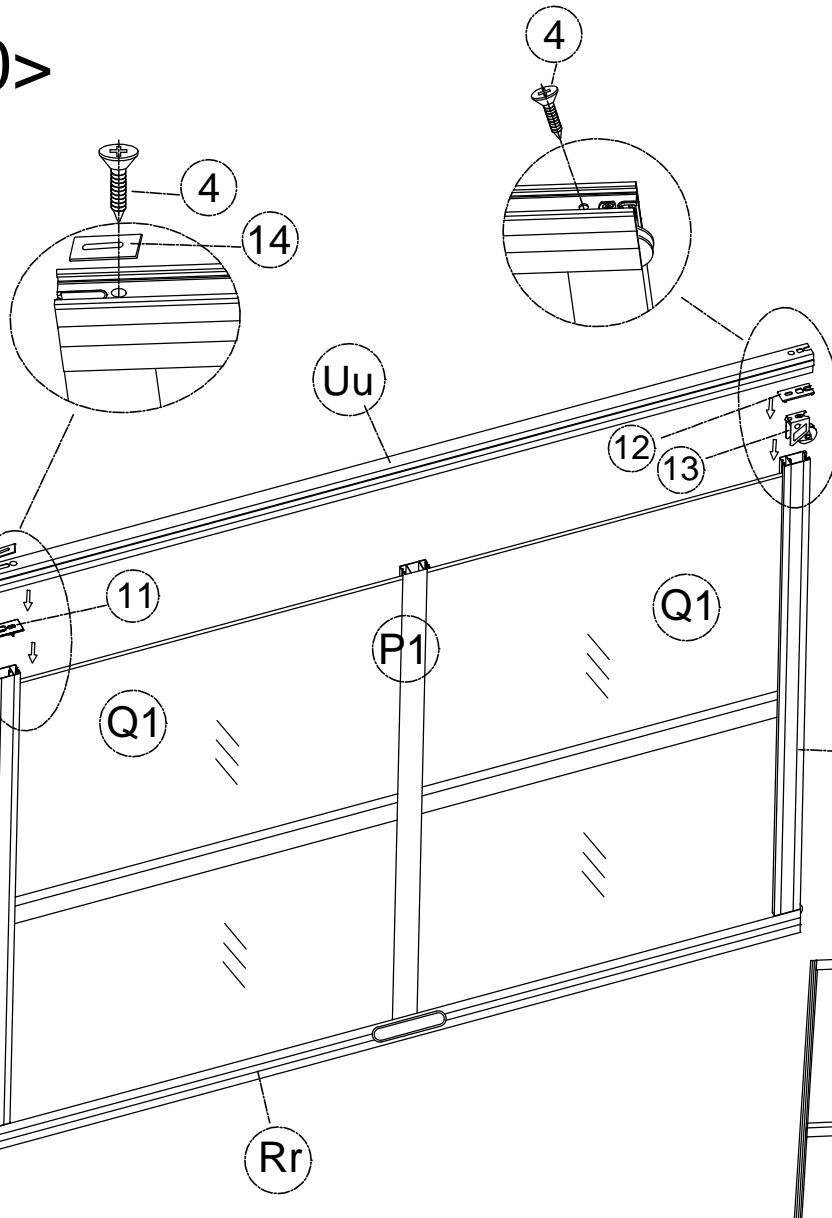
4 x4

<40>

x2



Uu x2



11 x2



12 x2



13 x2



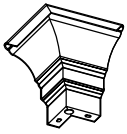
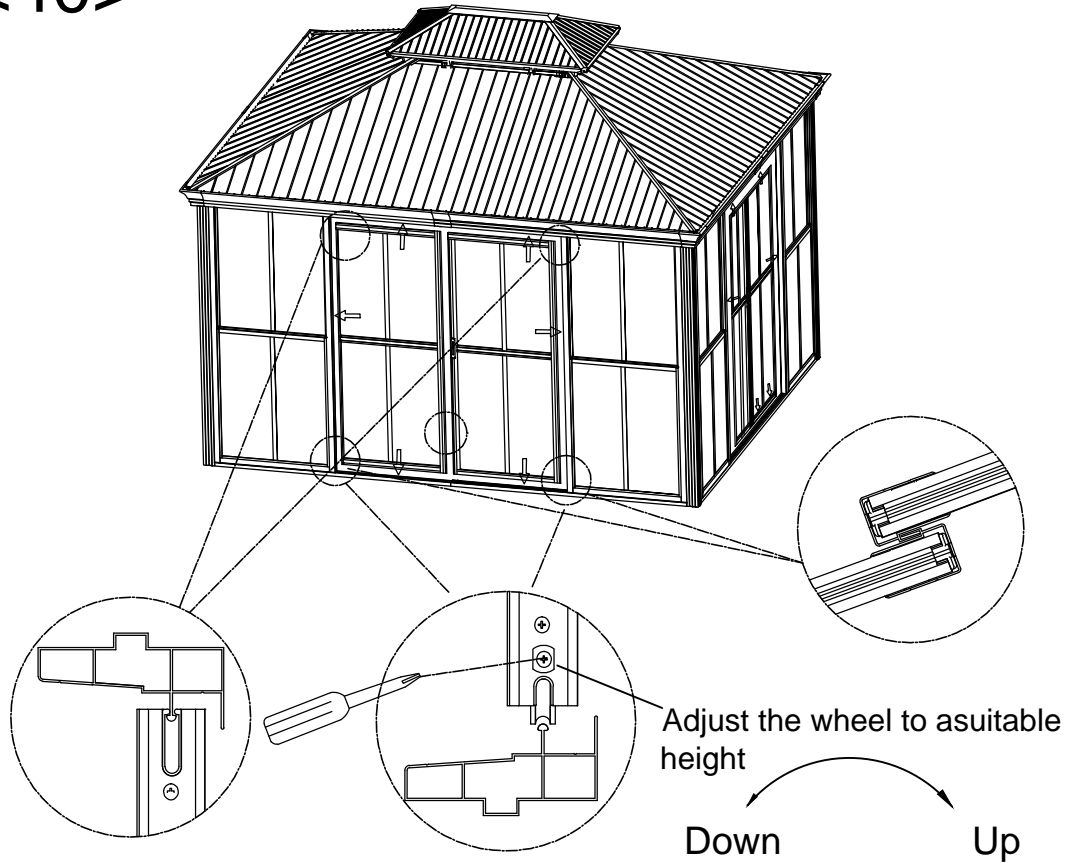
14 x2



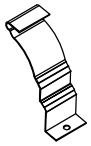
Q x4

43

<40>



V x4



V1 x4



M6x15mm

23 x16

<41>

Release the screw first, adjust the appropriate height of this plate, and then lock the screw to prevent the door from falling off.

