

FLUSH MOUNT

INSTALLATION MANUAL

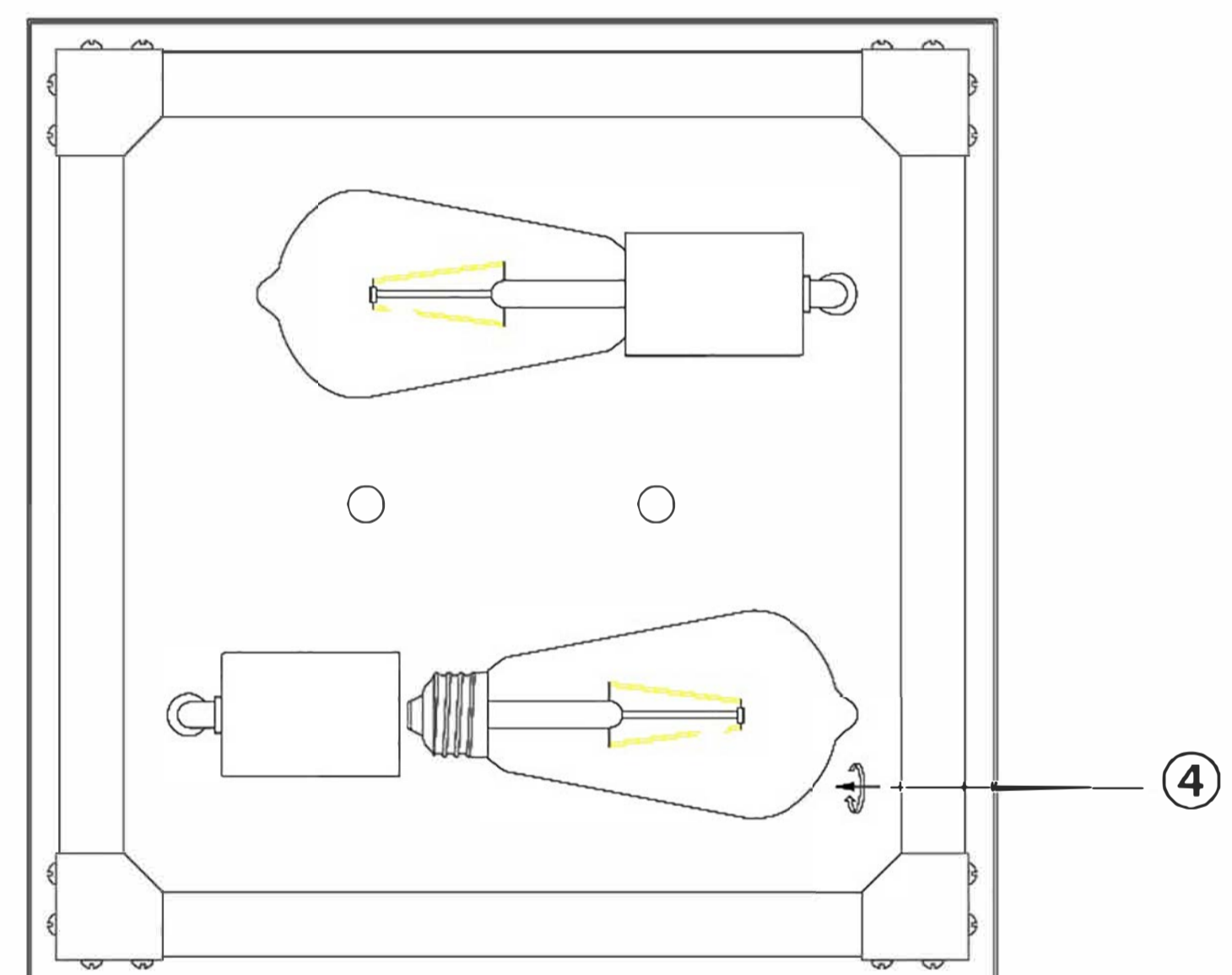
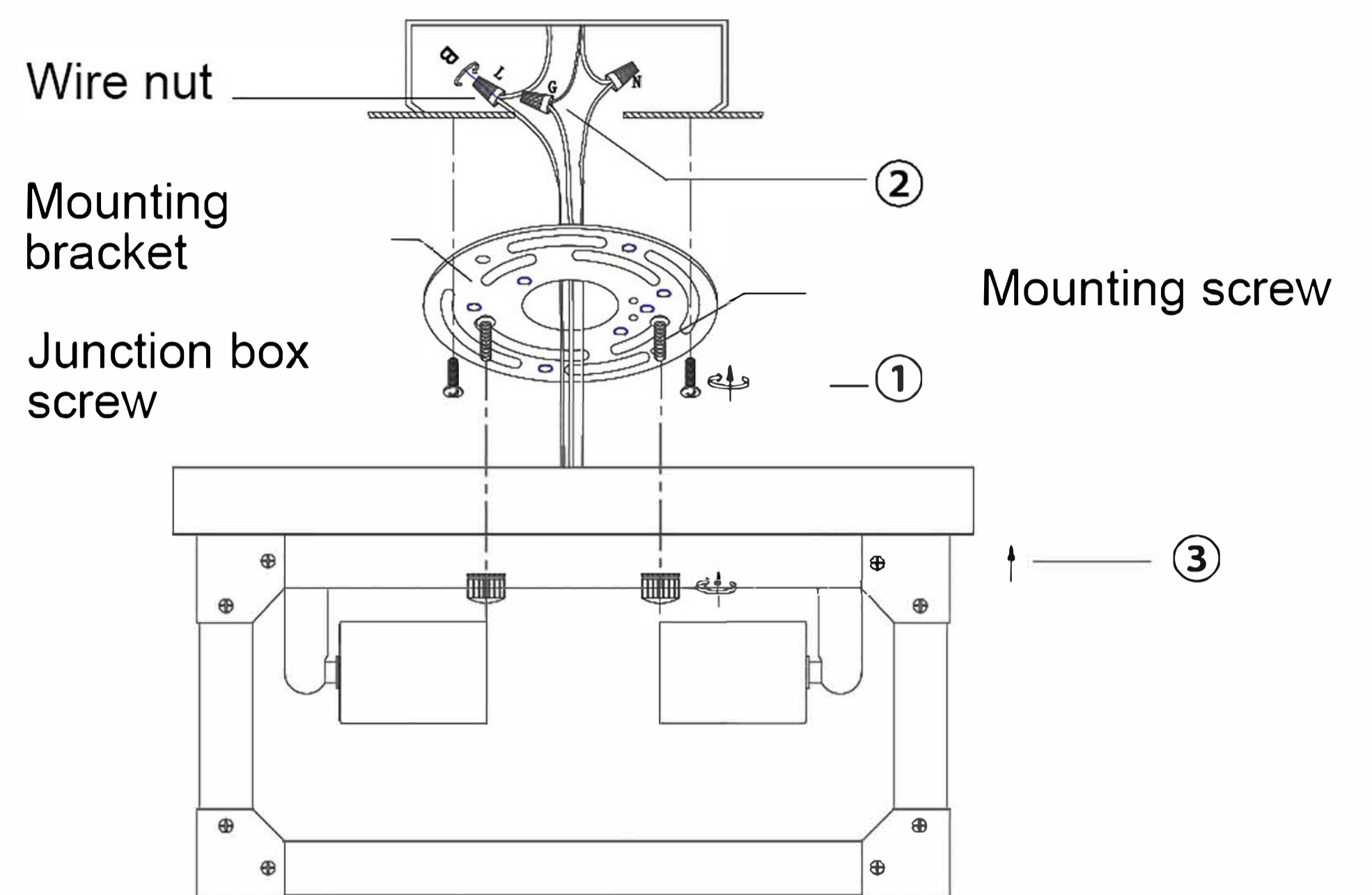
WARNING:

*THIS PRODUCT MUST BE INSTALLED IN ACCORDANCE WITH THE APPLICABLE INSTALLATION CODES BY A PERSON FAMILIAR WITH THE CONSTRUCTION AND OPERATION OF THE PRODUCT AND THE HAZARDS INVOLVED.

- * Check for electric, gas, & plumbing lines before drilling or consult a professional.
- * Turn off your electricity at the circuit breaker or main fuse box before installation.
- * Do not restore power to the line until fully installed.
- * Do not exceed the recommended wattage.
- * Always allow bulbs to cool for 10 minutes before changing.

This fixture has been rated for up to two (2) **E26 Socket 60-Watt maximum** standard incandescent light bulbs or **CFL** or **LED** equivalent bulbs. (not included).

To avoid the risk of fire,
DO NOT EXCEED THE RECOMMENDED LAMP WATTAGE.
The lighting fixture is meant for indoor use.



Pls read the installation instructions carefully and follow the steps:

- 1.** Remove the mounting bracket from the canopy. Attach mounting bracket to the junction box (not included) with two junction box screws.
- 2.** Make electrical connections using wire nuts. (white to white "N", black to black "L", ground to ground "G")
- 3.** Attach the fixture to the mounting bracket and screw it by mounting screws supplied.
- 4.** Install the light bulbs (not included).