

ASSEMBLY INSTRUCTIONS

TOOLS REQUIRED:

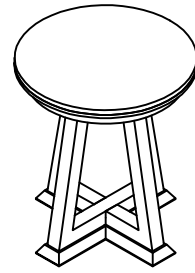
Allen key (supplied, part # E)

BEFORE YOU START:

1. Check the parts against the parts list to make sure all items are present.
2. Assemble your furniture on a soft, flat surface to avoid scratching the finish.
3. **CAUTION:** Do not over tighten screws, nuts or bolts during assembly.
4. Your furniture may require occasional tightening.

INSTRUCTIONS:

1. Attach 2 legs frame (See Figure 1).
2. Attach X leg on the leg frame of step 1 by using Flat washer (D), Lock Washer (C), Bolt (A) with Allen Key (E). (See Figure 2).
3. Remove this Mounting plate for attaching into the leg frame by follow the assembly instruction. (See Figure 3)
4. Turning over the leg frame that added X leg in Step 2 to assembly Mounting plate by using Flat washer (D), Lock Washer (C), Bolt (A) with Allen Key (E). (See Figure 4).
5. Attach the leg frame that added Mounting plate on the bottom of table by using Flat washer (D), Lock Washer (C), Bolt (B) with Allen Key (E). (See Figure 5). Tighten all bolts with Allen Key (E).



010 - 916

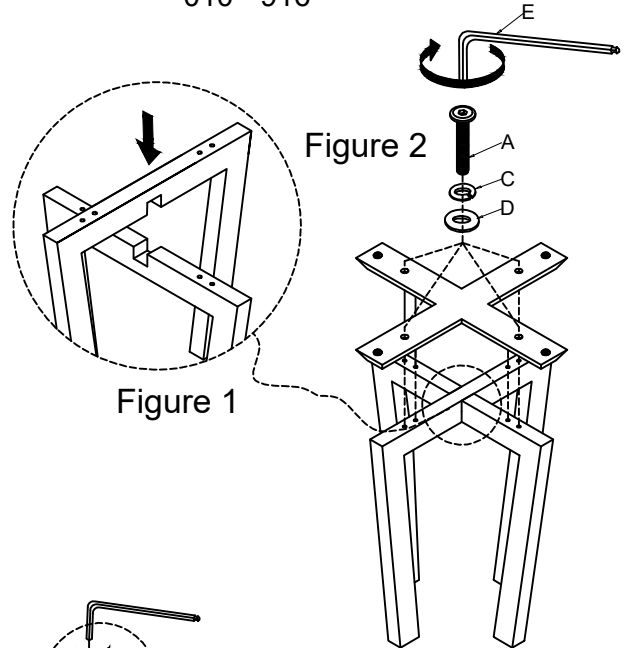


Figure 1

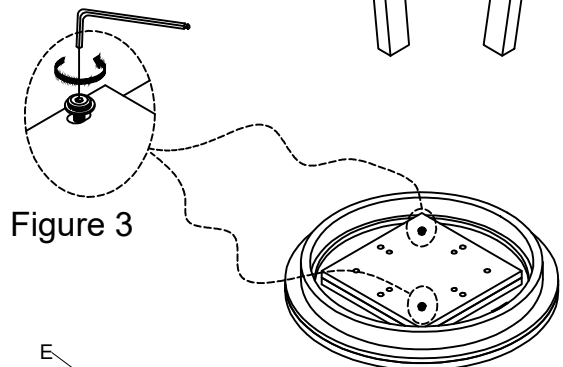


Figure 3

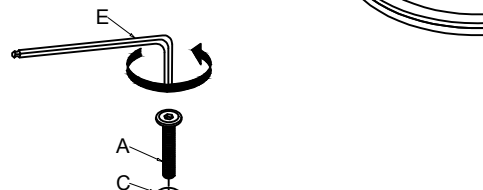


Figure 4

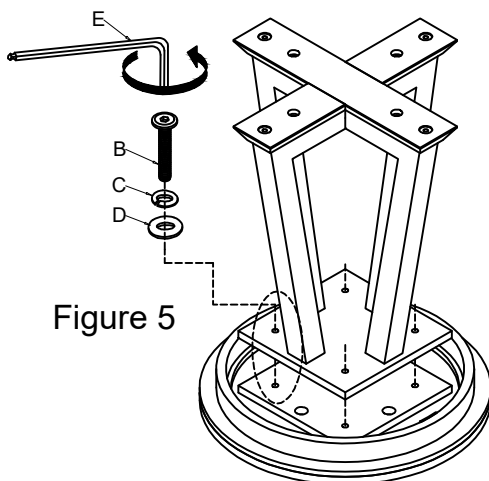


Figure 5

No.	Hardware List		Q'ty
A		Bolt Ø5/16 x 2"	8
B		Bolt Ø5/16 x 1 1/2"	4
C		Lock Washer Ø5/16"	12
D		Flat Washer Ø5/16"	12
E		Allen Key 4mm	1

