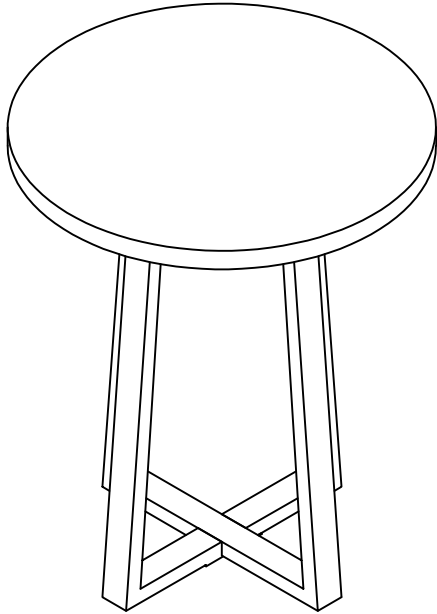





# ASSEMBLY INSTRUCTION

## BAR TABLE BAR

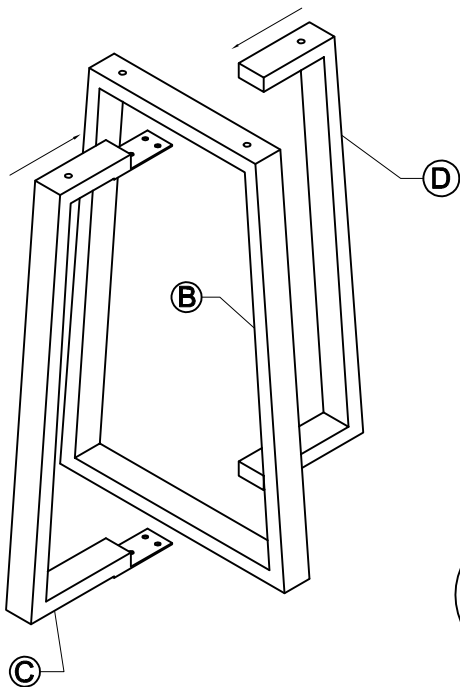
**Thank you for purchasing this quality product. Be sure to check all packing material carefully for small parts which may have come loose inside the carton during shipment. Identify and count all parts and compare with the parts lists below.**



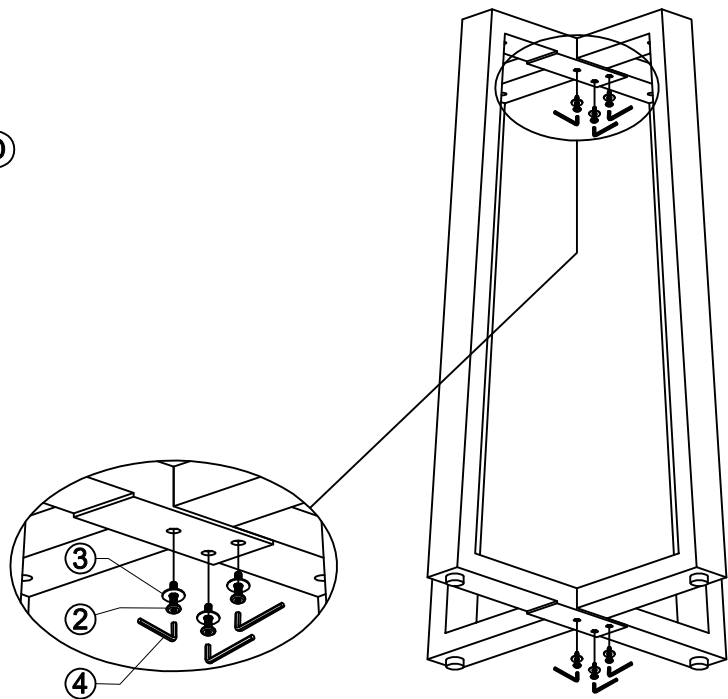
### HARDWARE

No	Description	Q'ty
1	Bolt Ø6*50 	4Pcs
2	Bolt Ø6*15 	6Pcs
3	Washer 	10Pcs
4	Allen Key 	1Pc

1

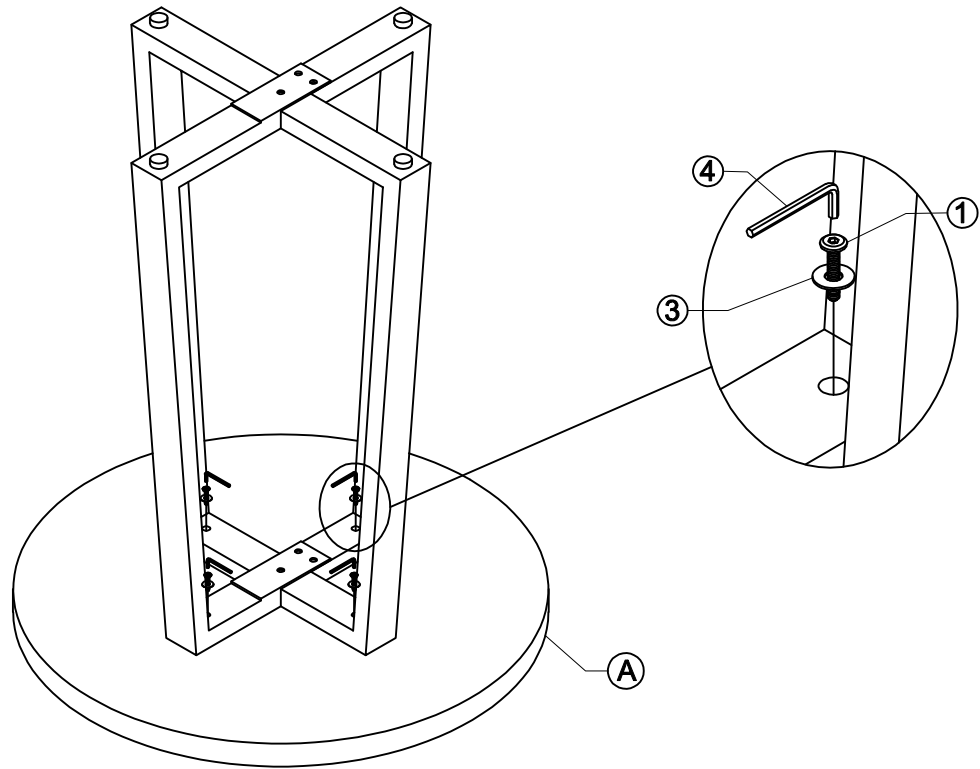


2

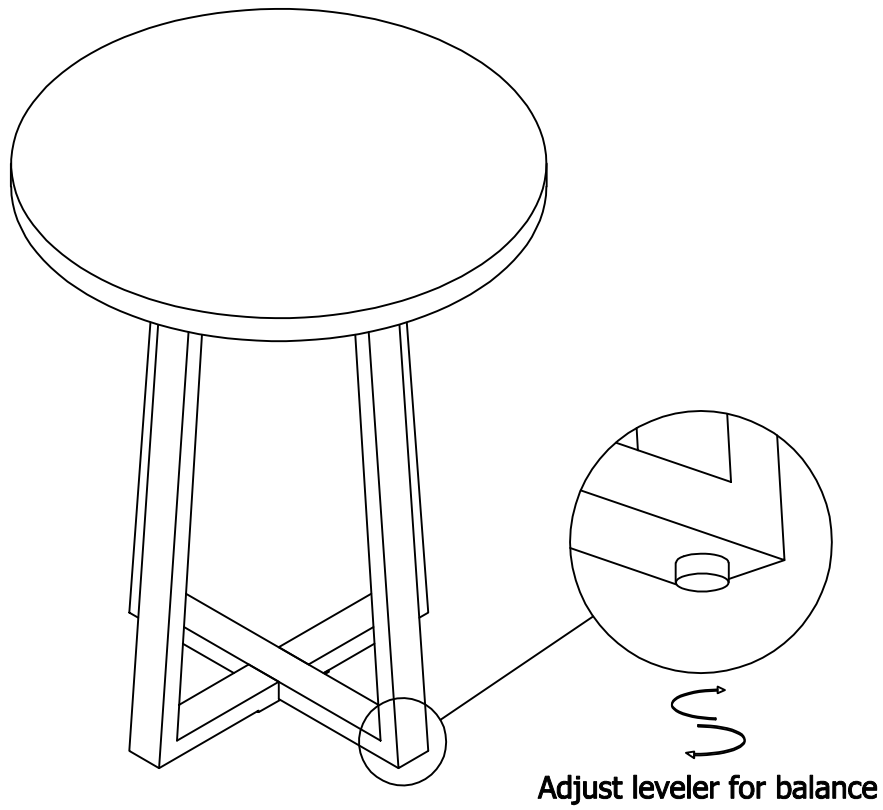


**Please note: Do not fully tighten the bolts yet.**

3



After checking all bolts and make sure they are even, please tighten the bolts fully.



FINISHED

PAGE 2