

# ASSEMBLY INSTRUCTION

MODEL NUMBER:903-1K

## NOTES:

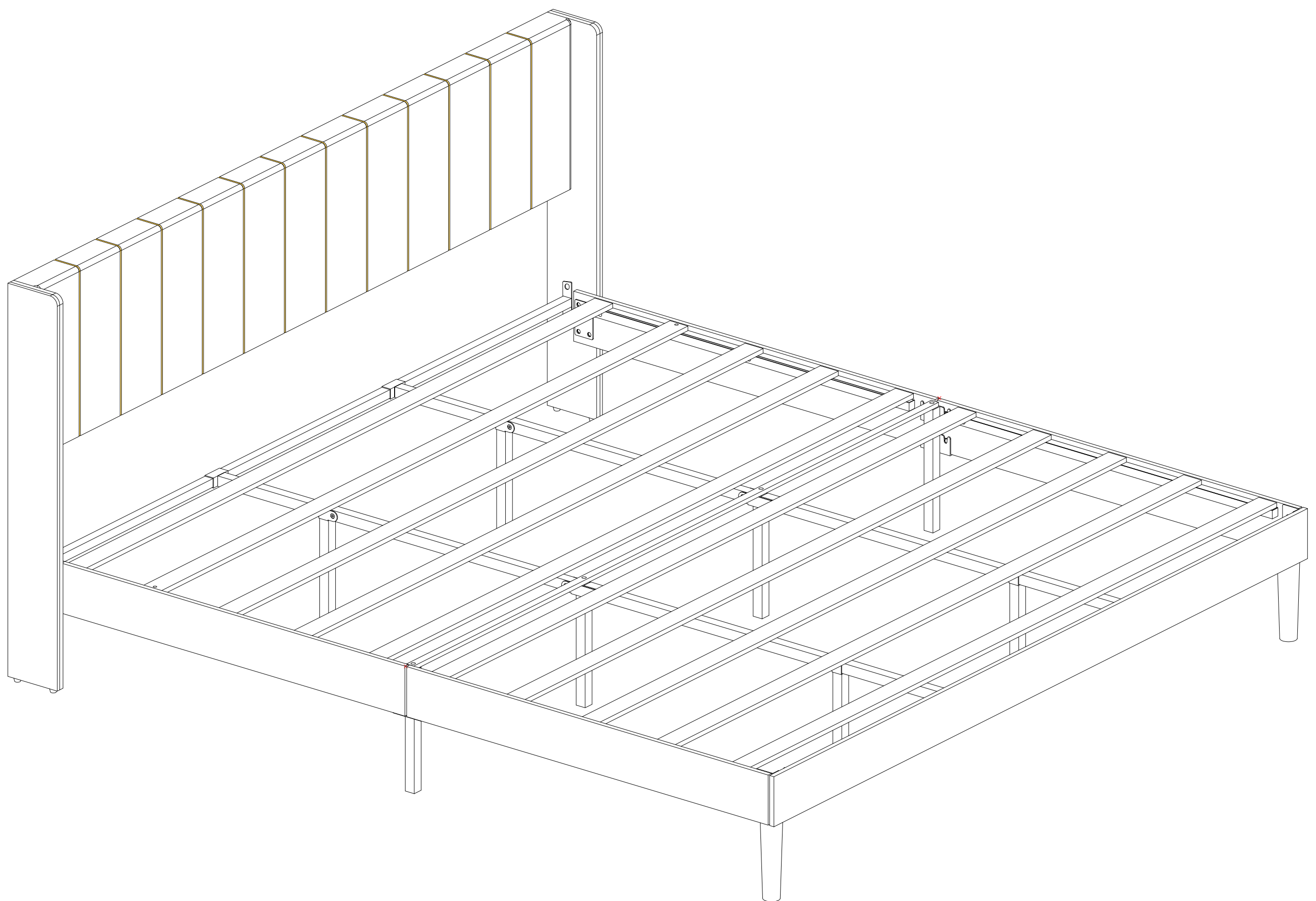
- Do not skip any step.
- Do not fully tight screws until all the bed parts are assembled.

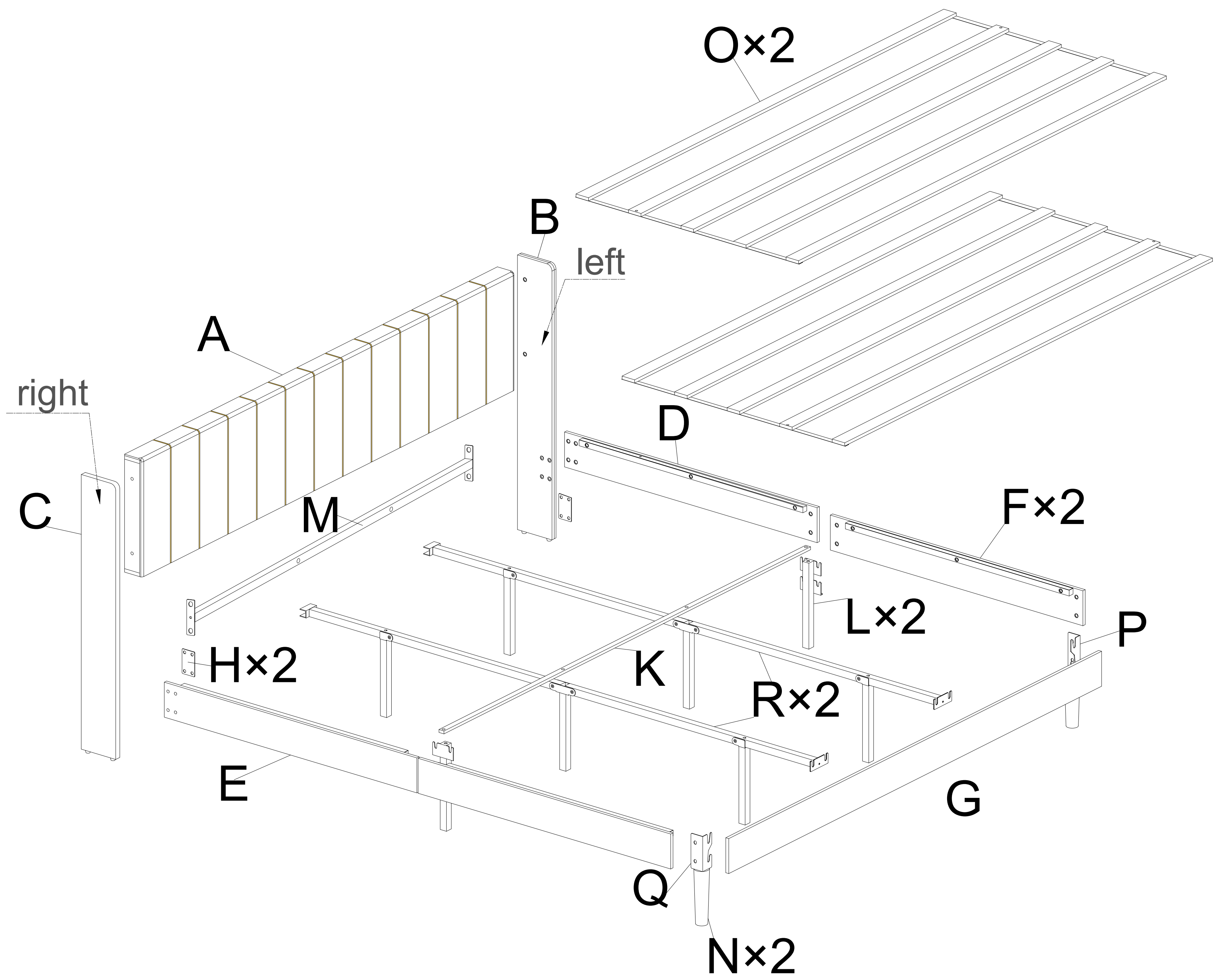
## WARNING:

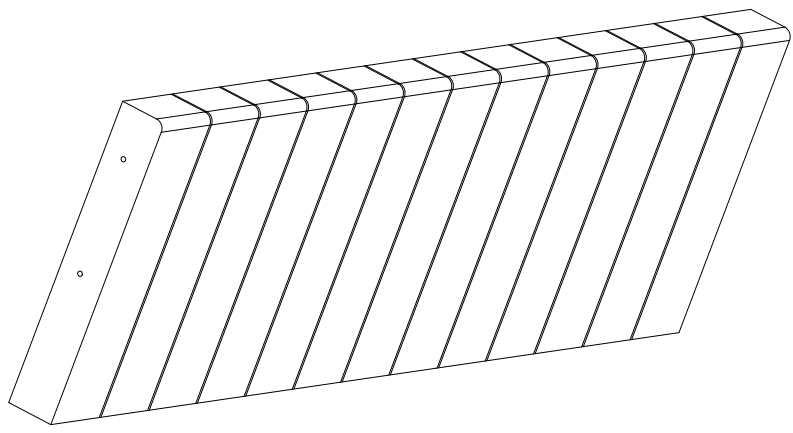
- WARNIND FOR YOUNG CHILDREN-This product contains small components,please ensure that they are kept away from small children while assembling.

## Warranty Information:

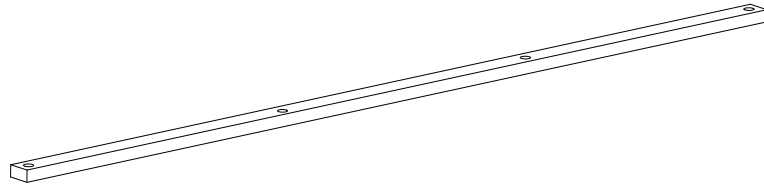
- We warranty this product to be free from defects in materials.If u have any query about bed,pls contact our after -sale support email: [Pakkahome@outlook.com](mailto:Pakkahome@outlook.com)





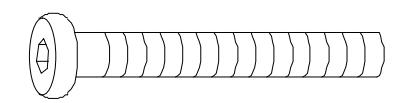
**A**

1PC

**K**

1PC

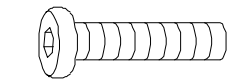
aa



M6\*55

8

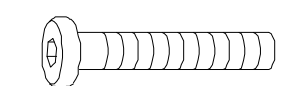
bb



M8x20

4

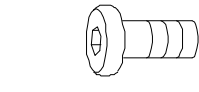
cc



M8x32

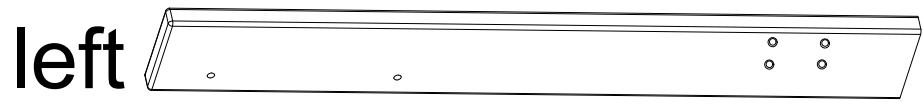
14

dd

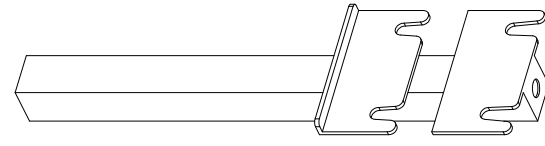


M8x15

20

**B**

1PC

**L**

2PCS

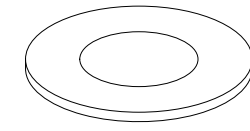
ee



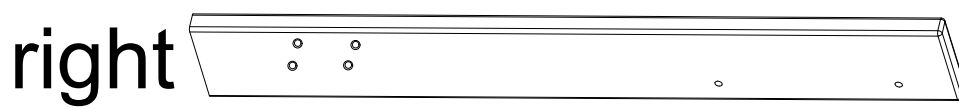
5mm

1

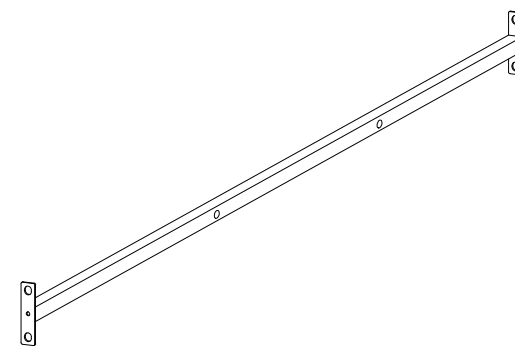
ff



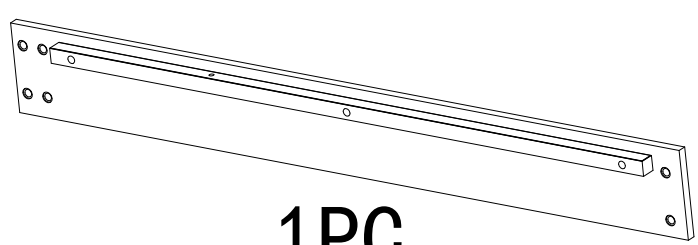
8

**C**

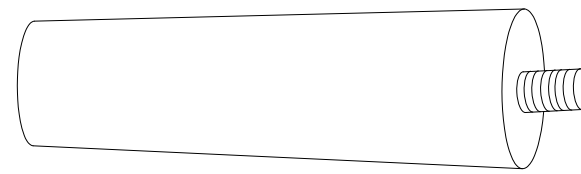
1PC

**M**

1PC

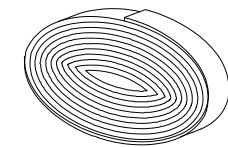
**D**

1PC

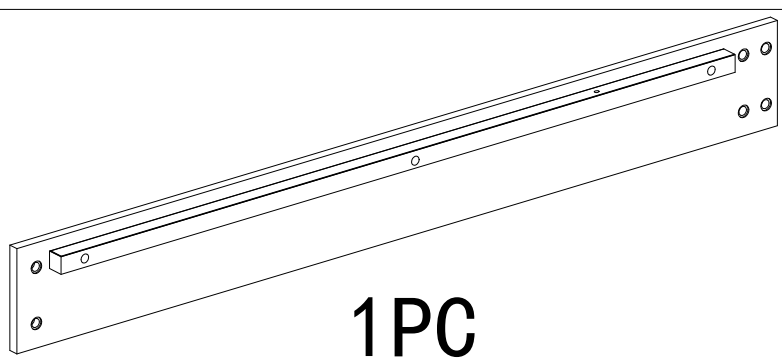
**N**

2PCS

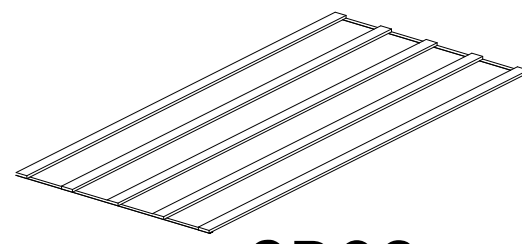
ii



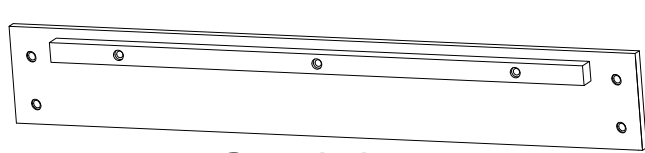
2

**E**

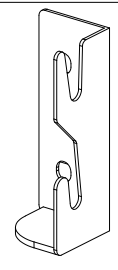
1PC

**O**

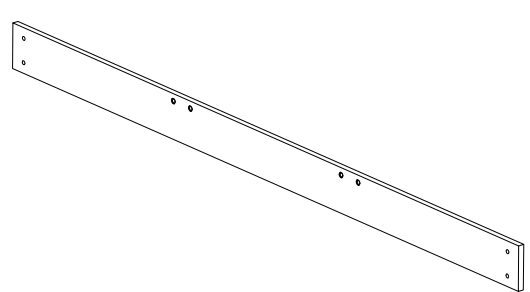
2PCS

**F**

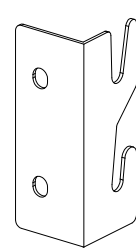
2PCS

**P**

1PC

**G**

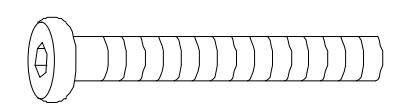
1PC

**Q**

1PC

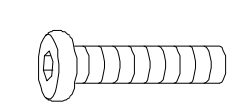
SPARE

aa



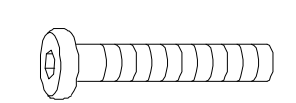
1

bb



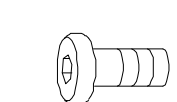
1

cc



1

dd

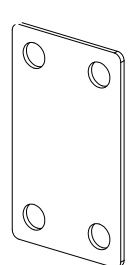


1

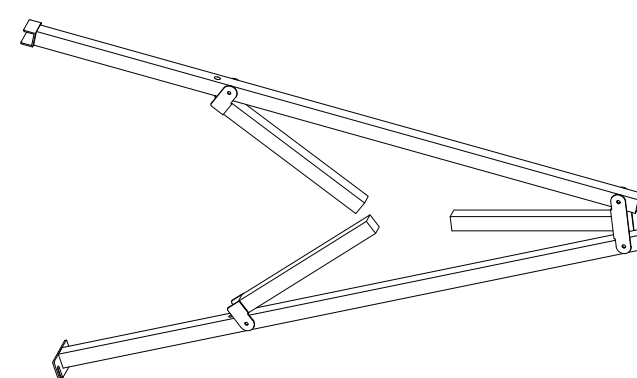
ff



1

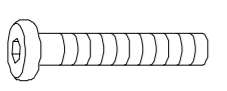

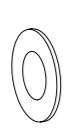
**H**

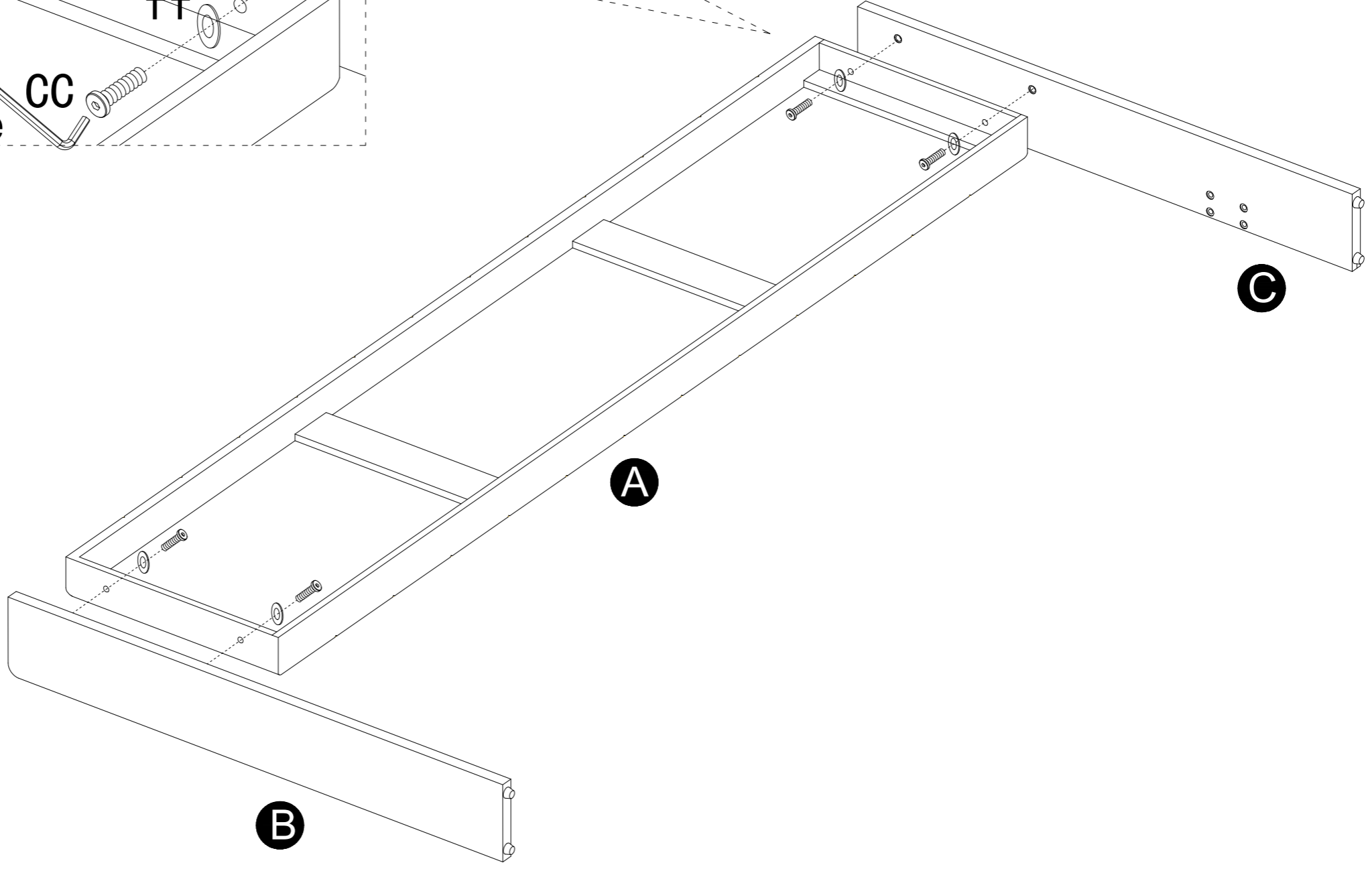
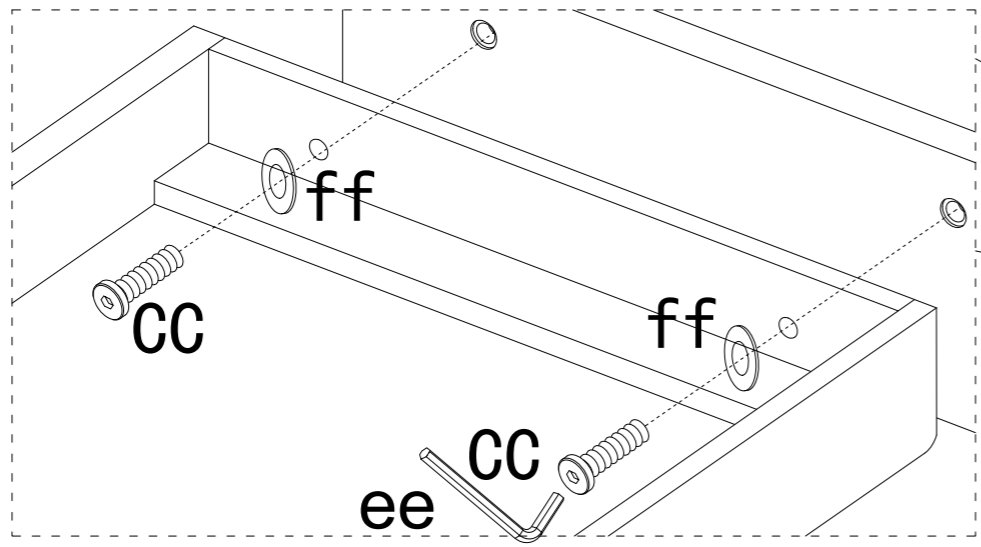
2PCS

**R**

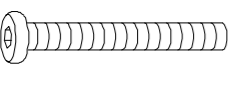

2PCS

Step 1

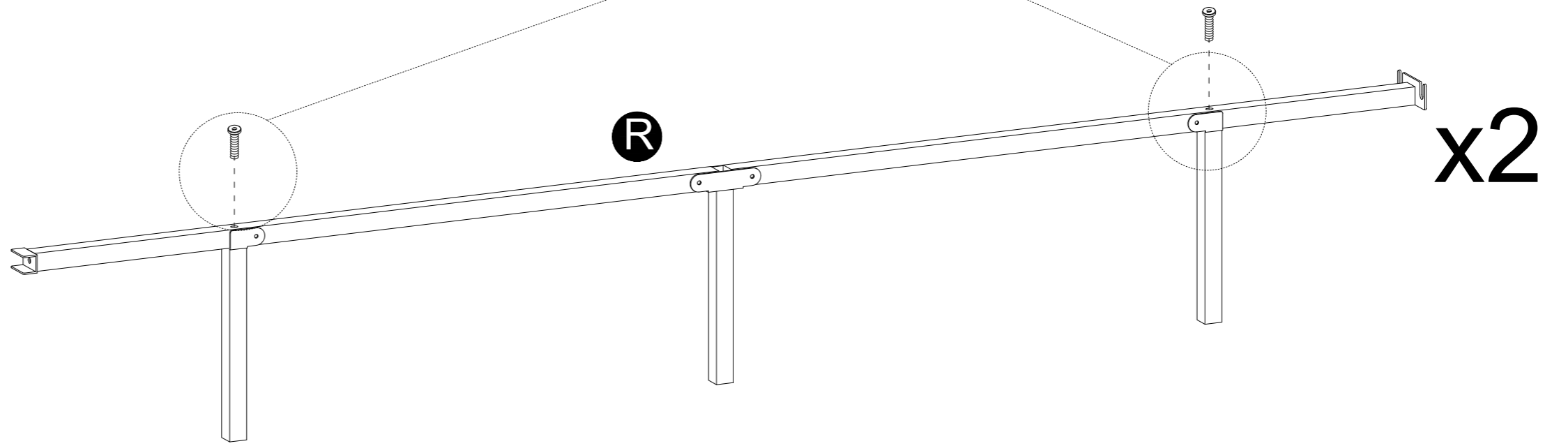
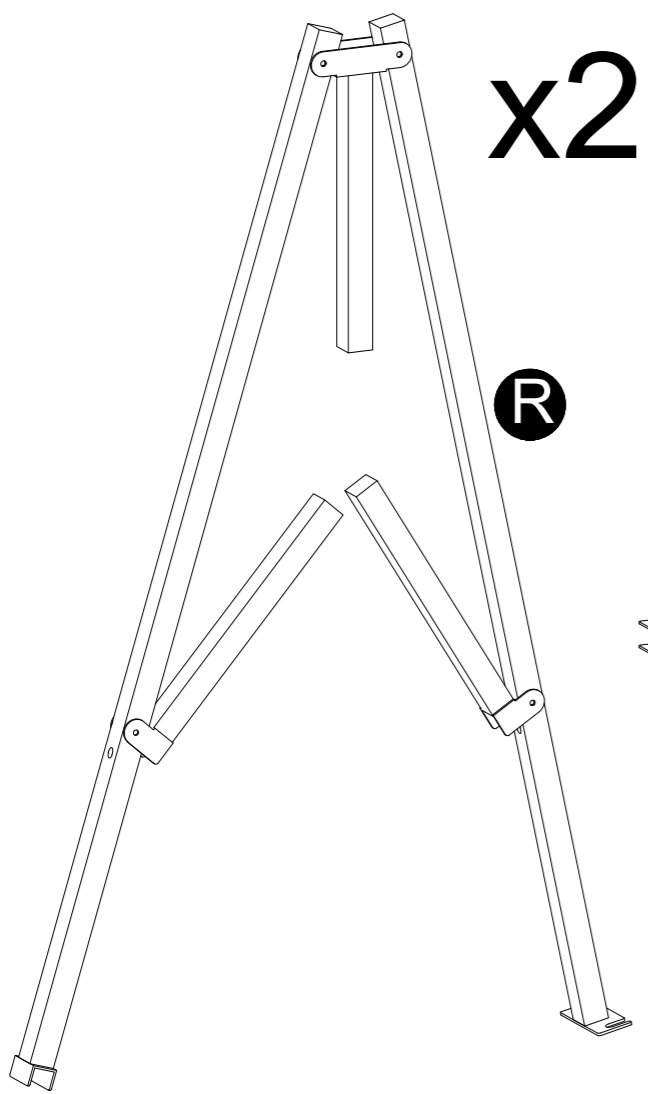
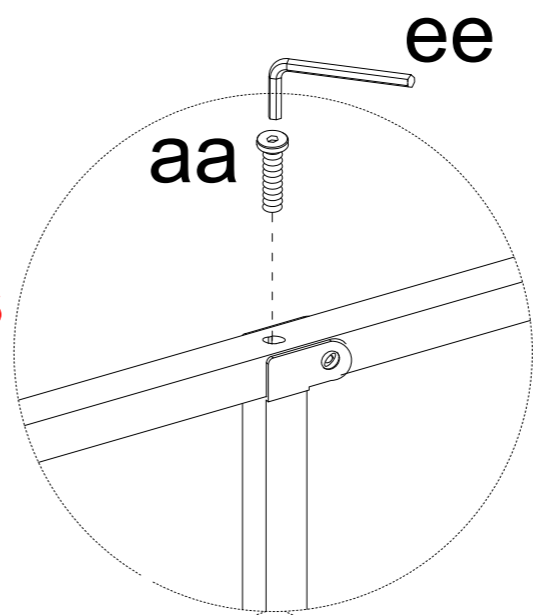
CC		M8x32	4
ee		5mm	1
ff			4



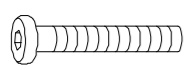
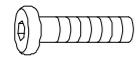


Step 2

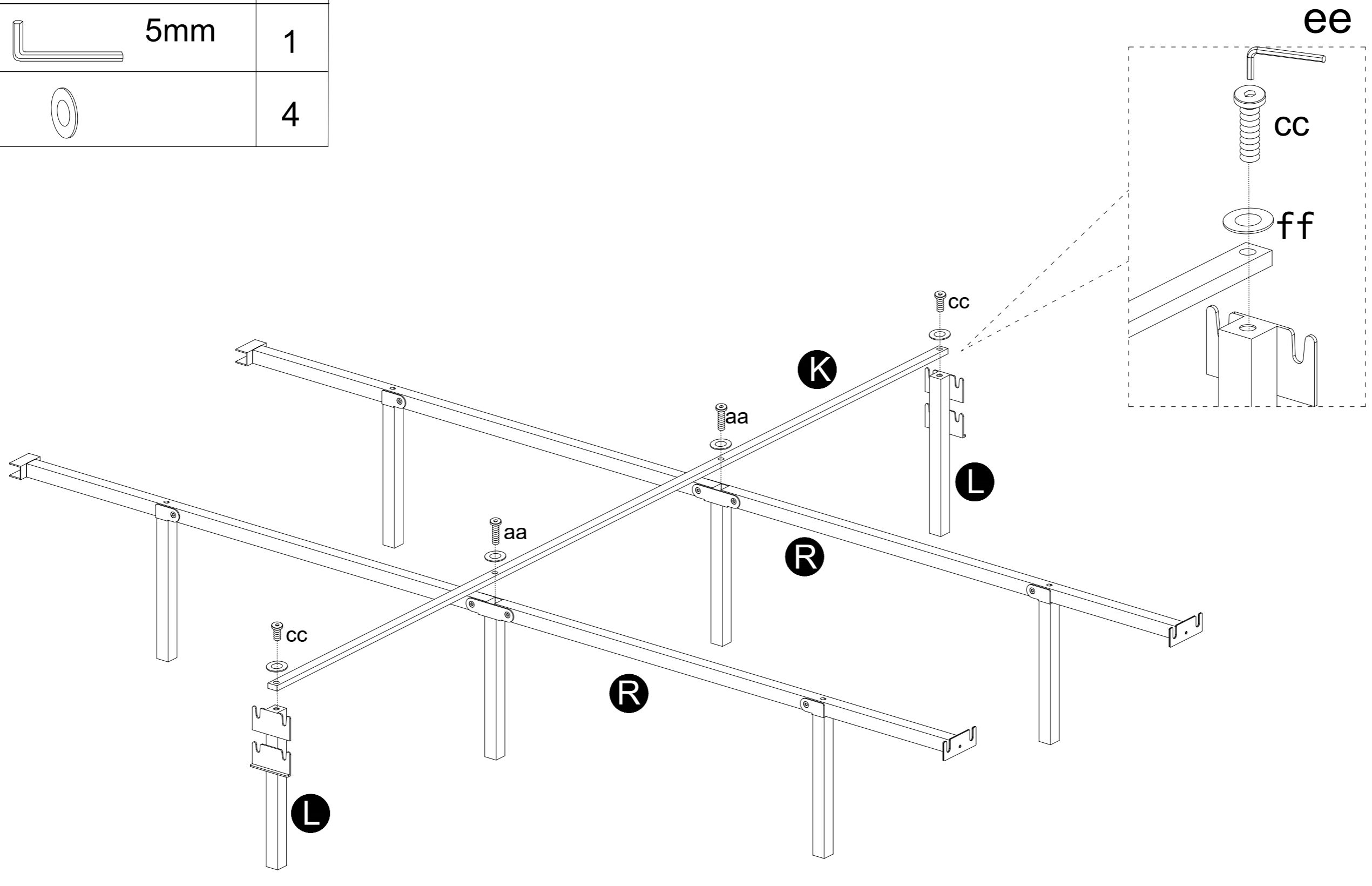
aa		M6x55	4
ee		5mm	1

Important: tight screws

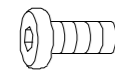



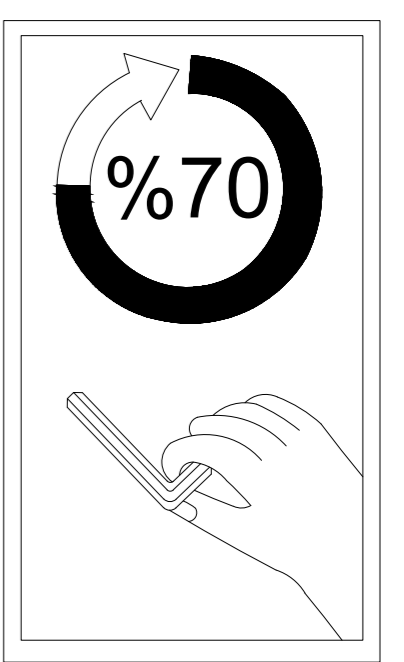
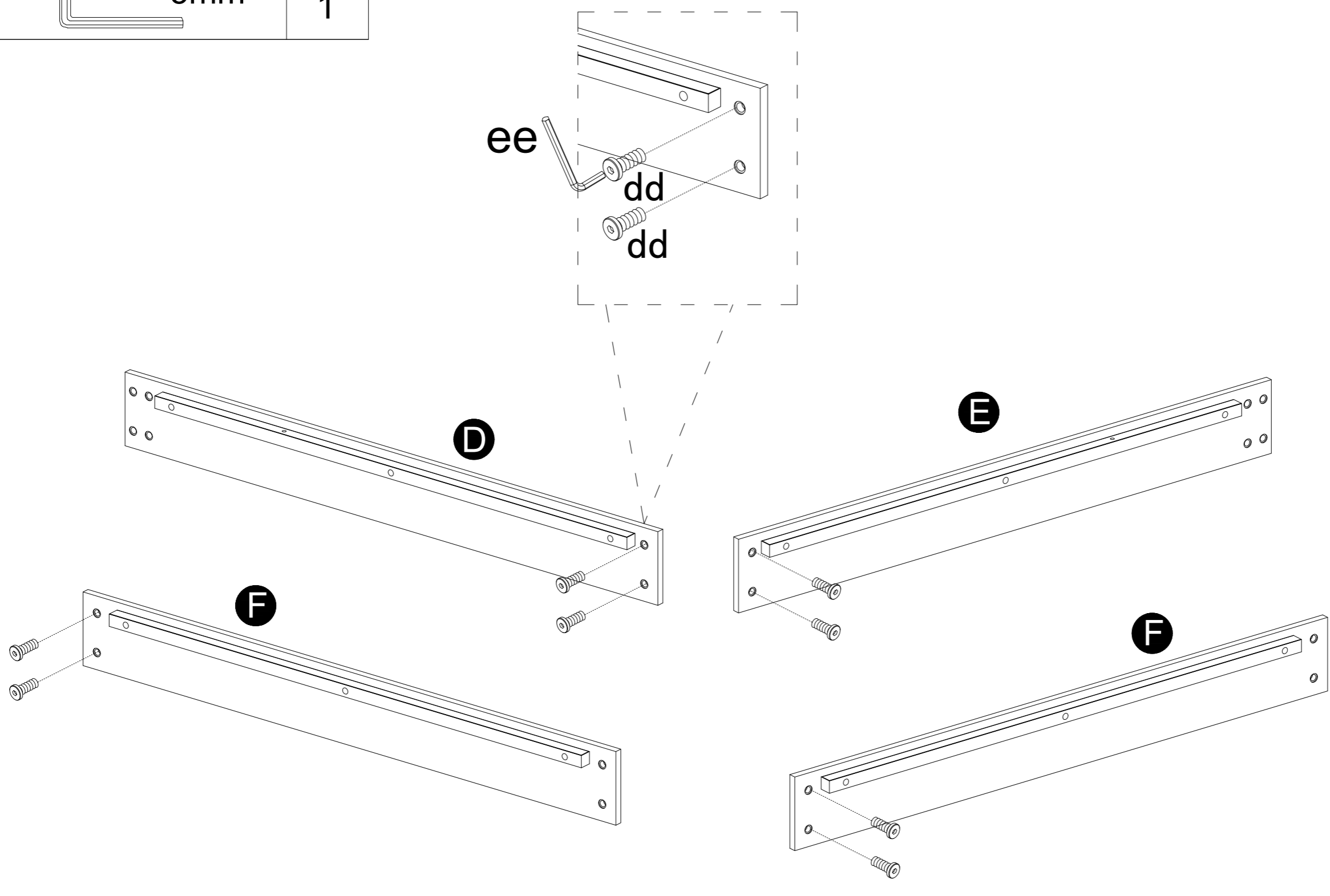
# Step 3

aa		M6x55	2
cc		M8x32	2
ee		5mm	1
ff			4

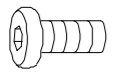



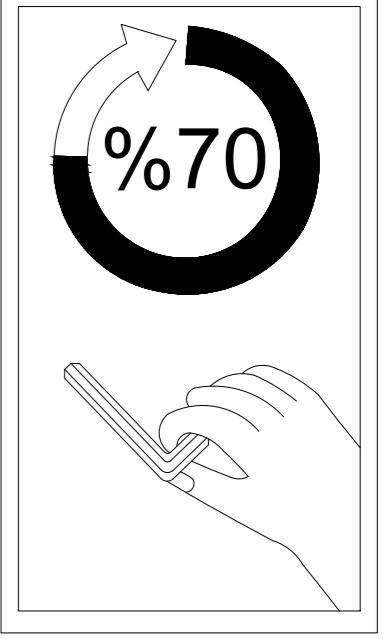
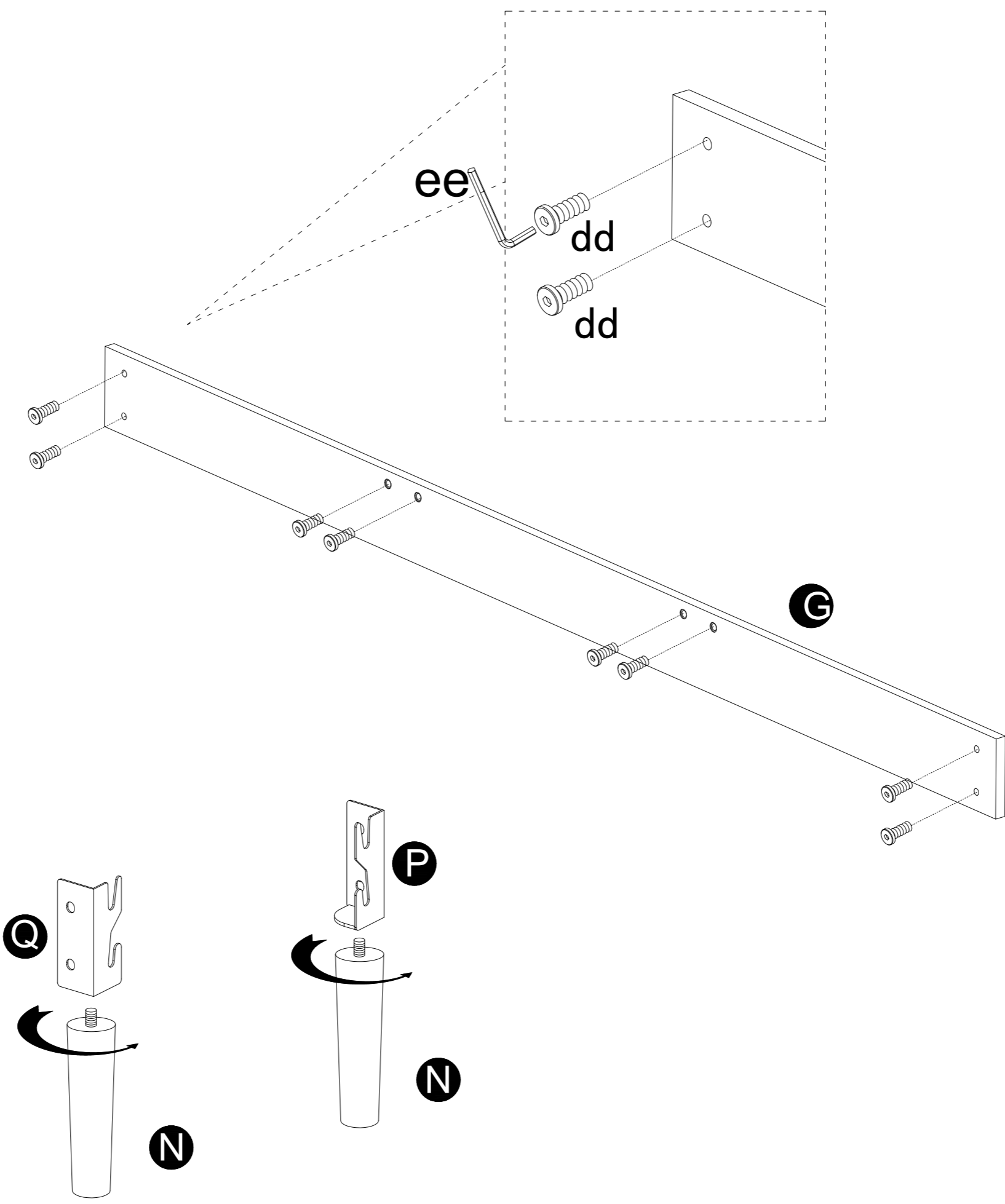
# Step 4

dd		M8x15	8
ee		5mm	1

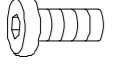



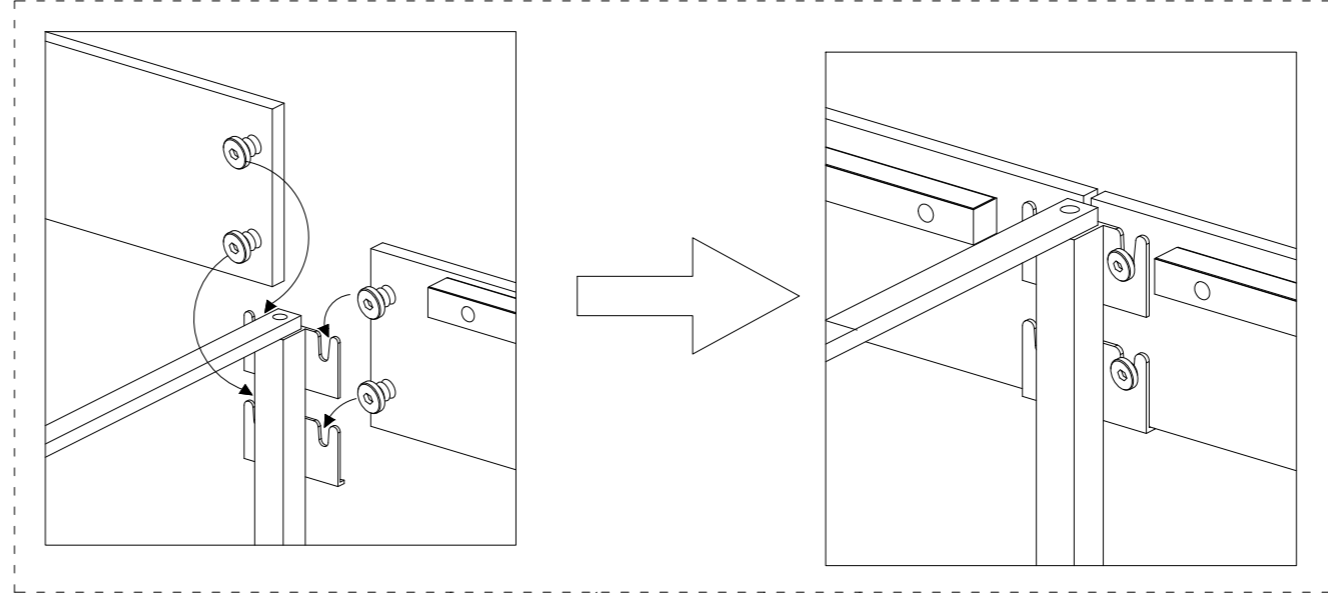
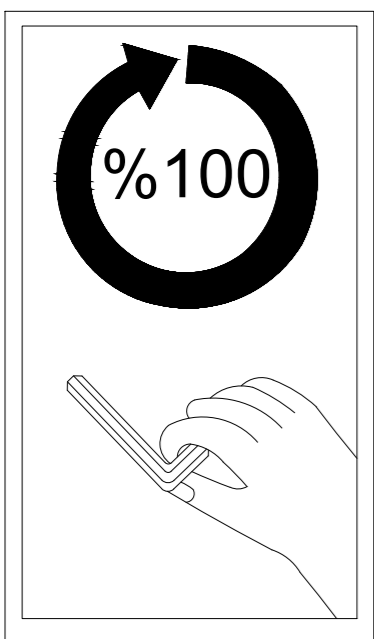
Step 5

dd		M8x15	8
ee		5mm	1

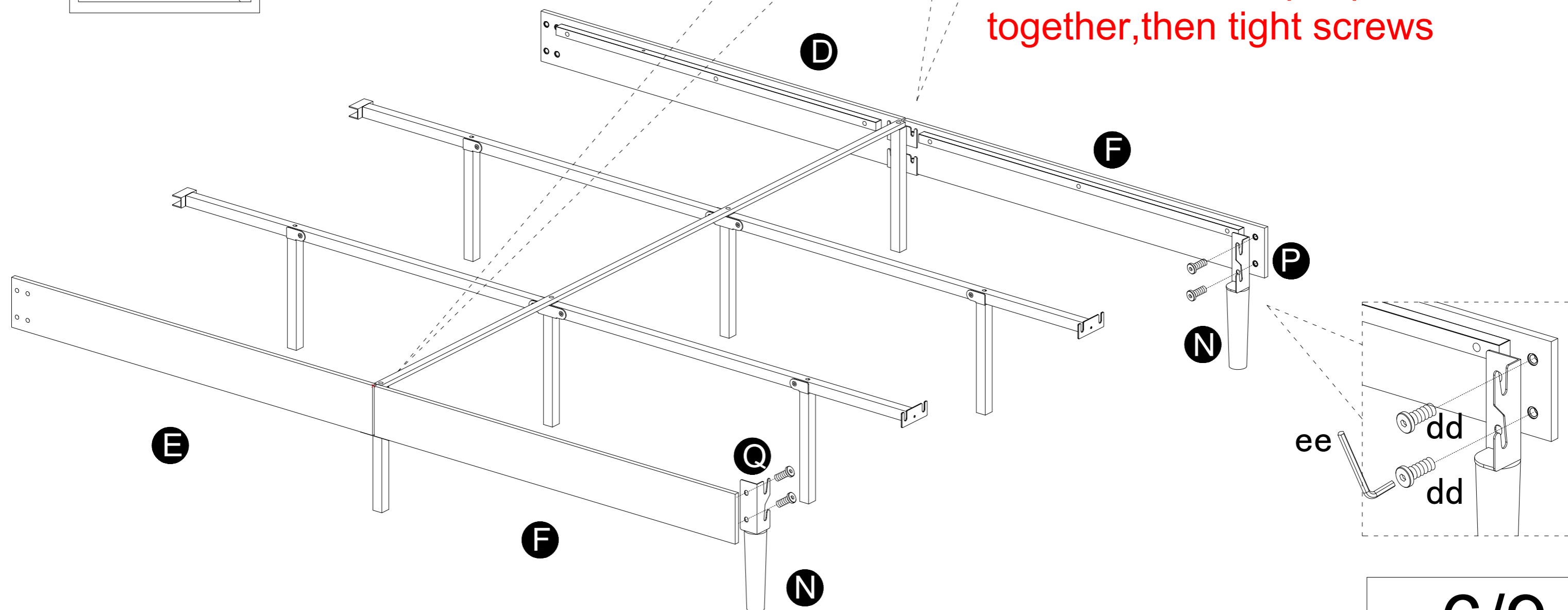



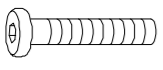
Step 6

dd		M8x15	4
ee		5mm	1

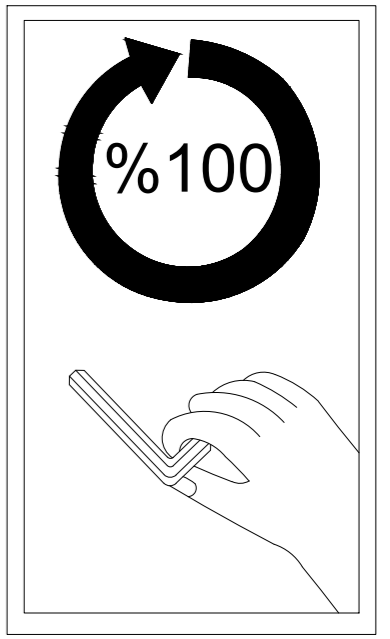
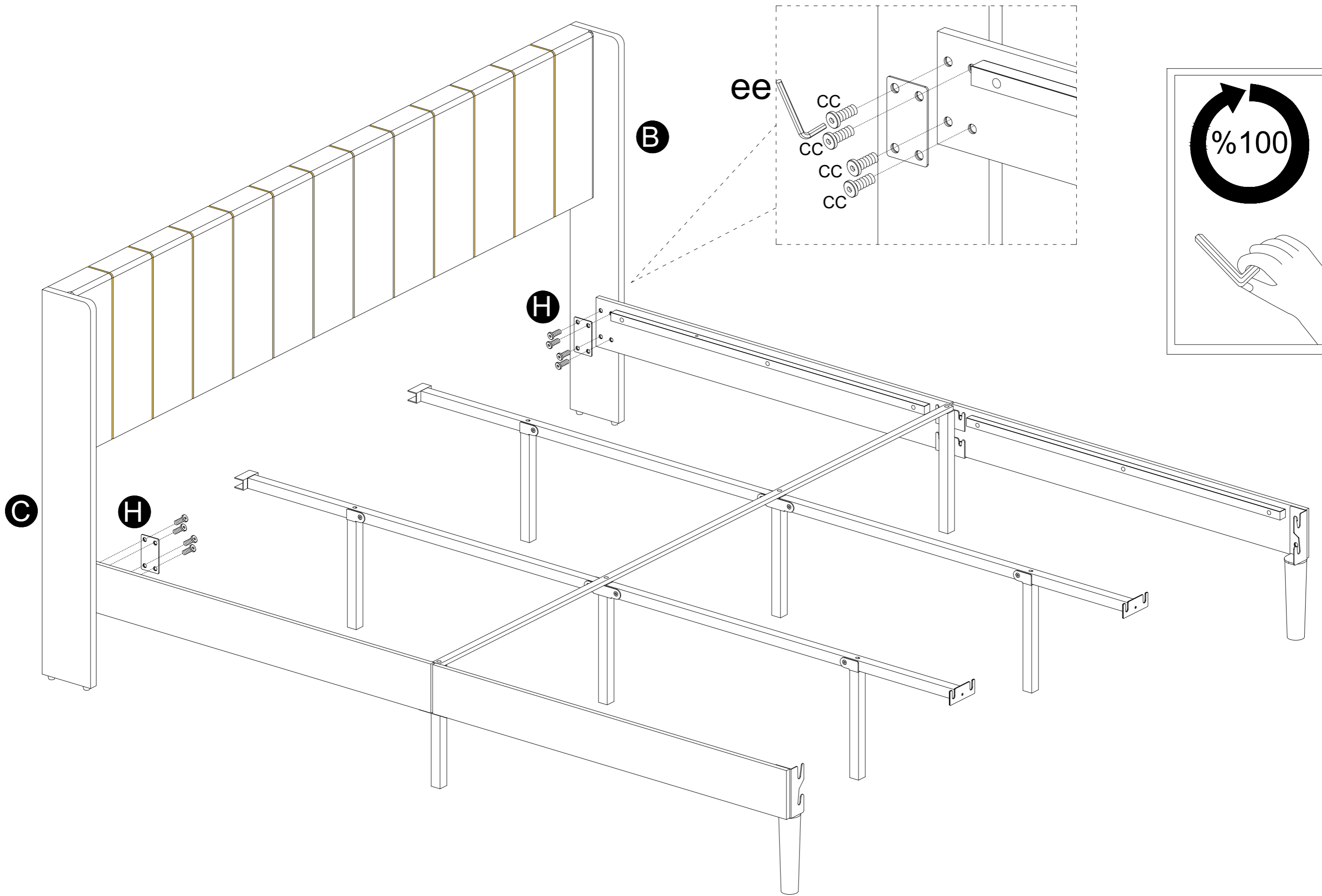


Release screws, put part together, then tight screws

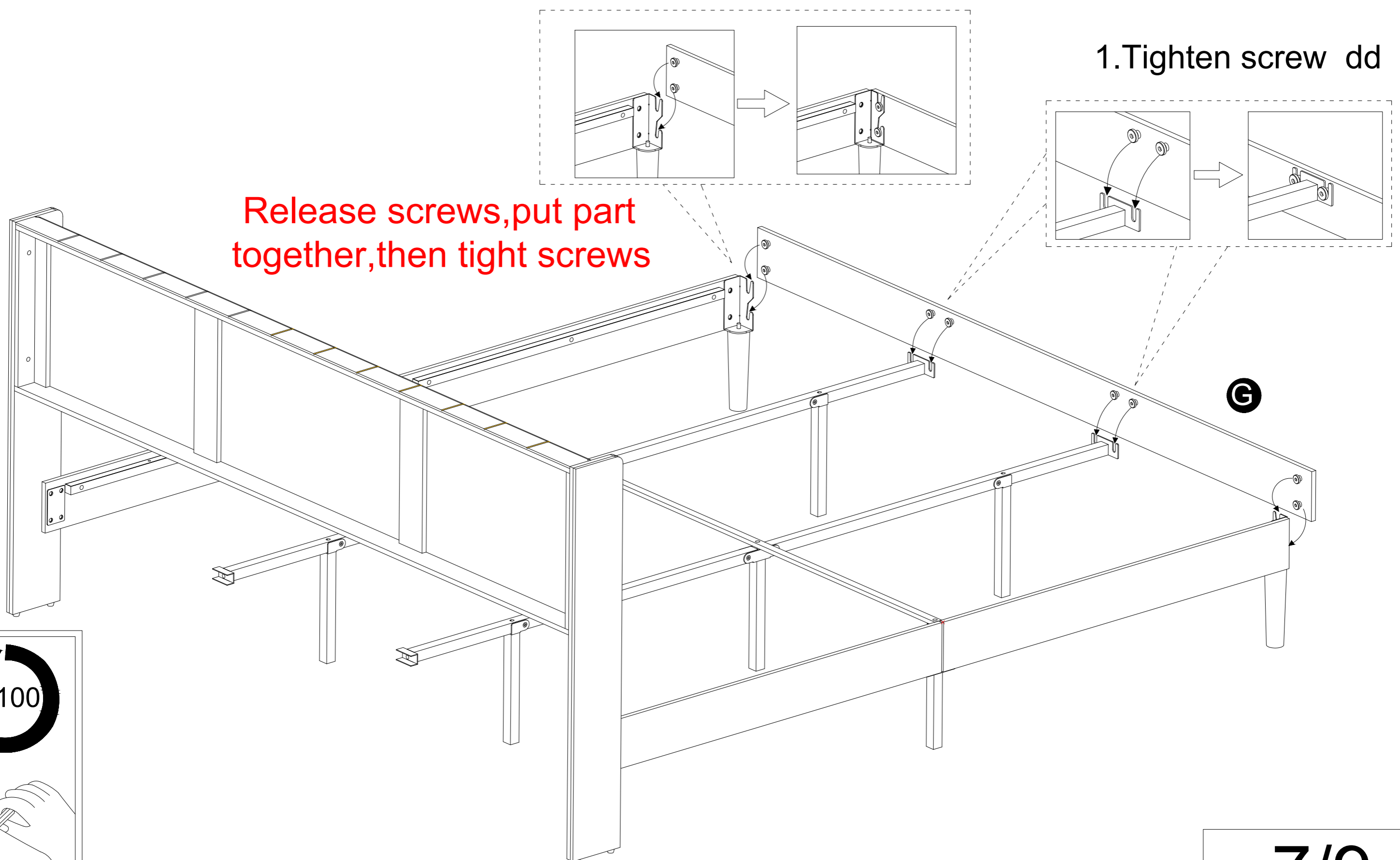


ee		5mm	1
cc		M8x32	8

# Step 7

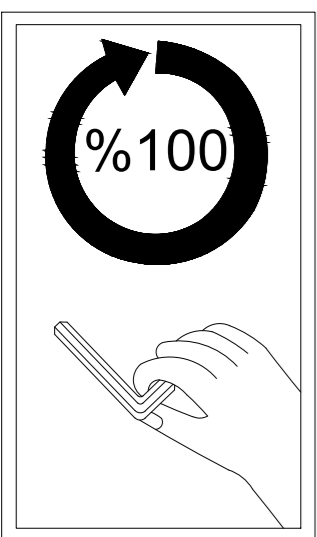


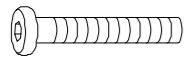
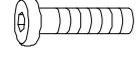

# Step 8

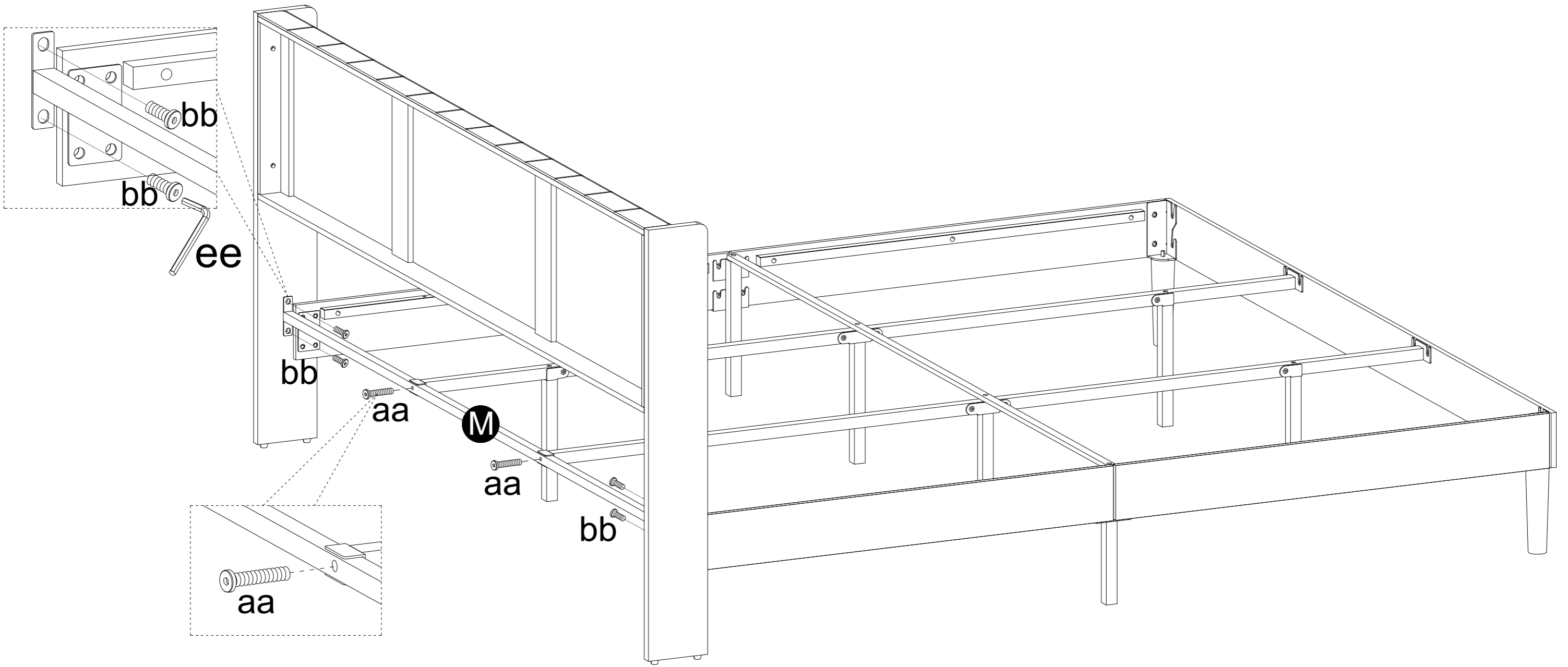



Release screws, put part together, then tight screws

1. Tighten screw dd



aa		M6x55	2
bb		M8x20	4
ee		5mm	1



ii			2
----	---	--	---

To prevent friction noise, unroll part ii and fit it on part R. the length of part ii can cut as you will.

