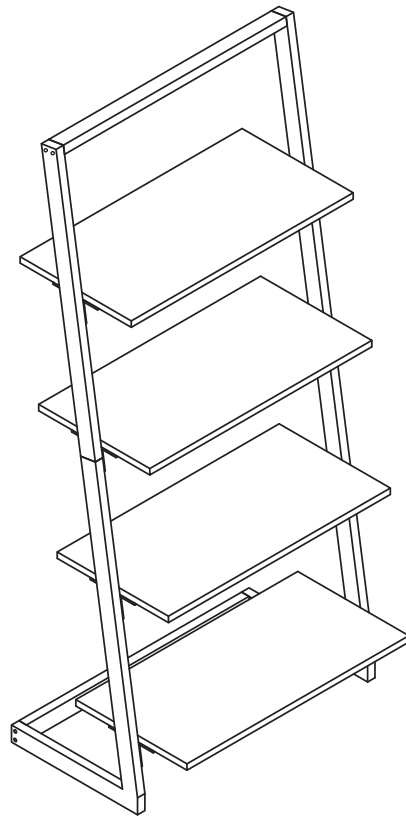



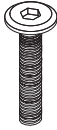
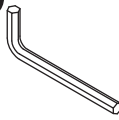



Bailee Ladder Bookcase








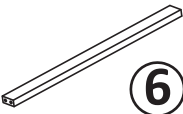

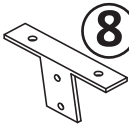


ASSEMBLY INSTRUCTIONS

We have designed our furniture with you , the customer in mind . Our clear , easy to follow , step by step instructions will guide you through the project from start to finish .
Feel confident that this will be a fun and rewarding project . The final product will be a quality piece of furniture that will go together smoothly and give years of enjoyment .

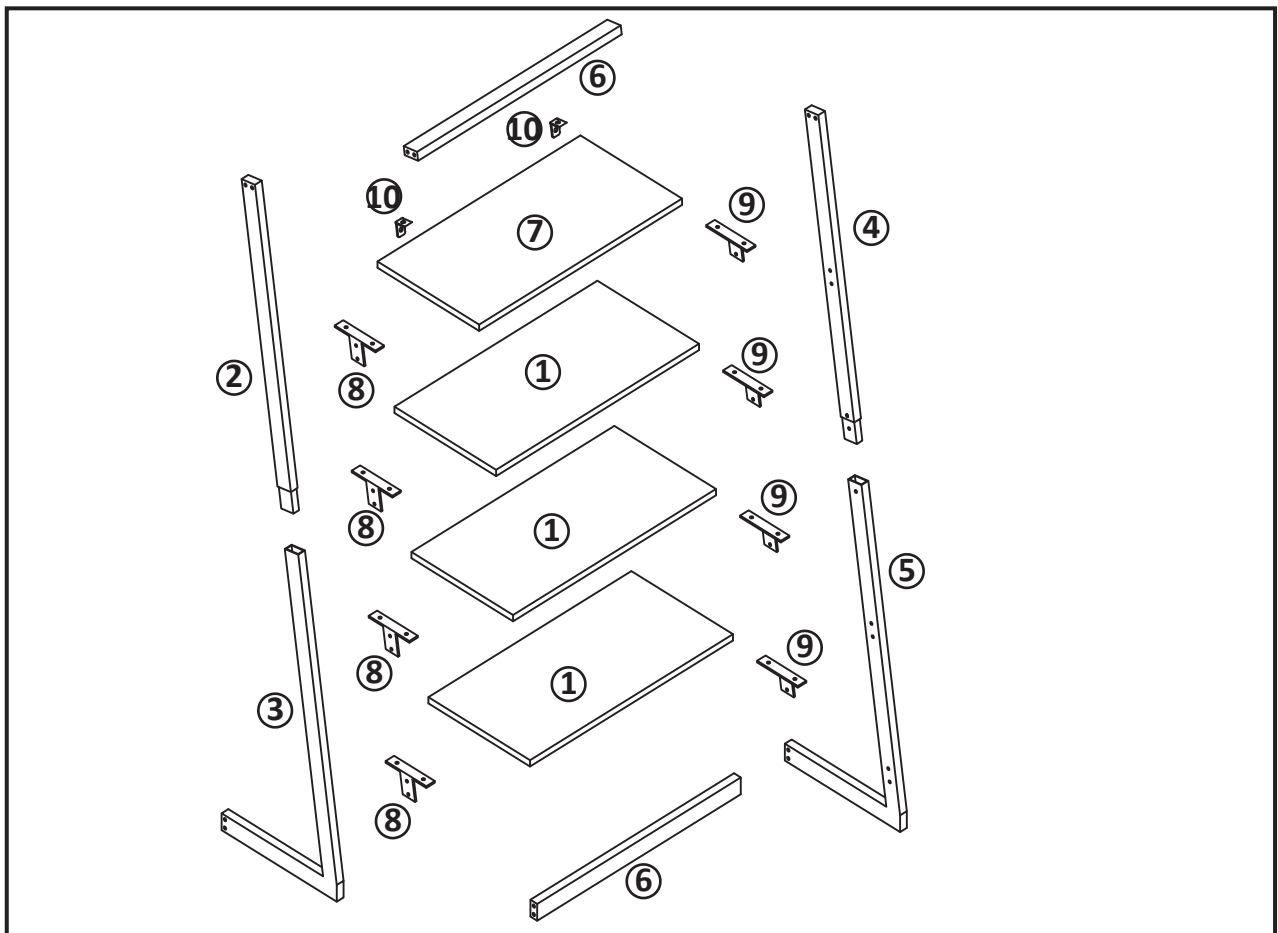
Hardware List

A 	B 	C 	D 	E 	F 
Screw (36pcs)	Long Screw (8pcs)	Allen Wrench (1pc)	Mounting Screw (2pcs)	Anchor (2pcs)	Short Screw (2pcs)

Panel List

1 	2 	3 	4 	5 
Shelf (3pcs)	Top Left Frame (1pc)	Left Leg (1pc)	Top Right Frame (1pc)	Right Leg (1pc)
6 	7 	8 	9 	10 
Crossbar (2pcs)	Top Shelf (1pc)	Left Bracket (4pcs)	Right Bracket (4pcs)	Top Bracket (2pcs)

Exploded Views



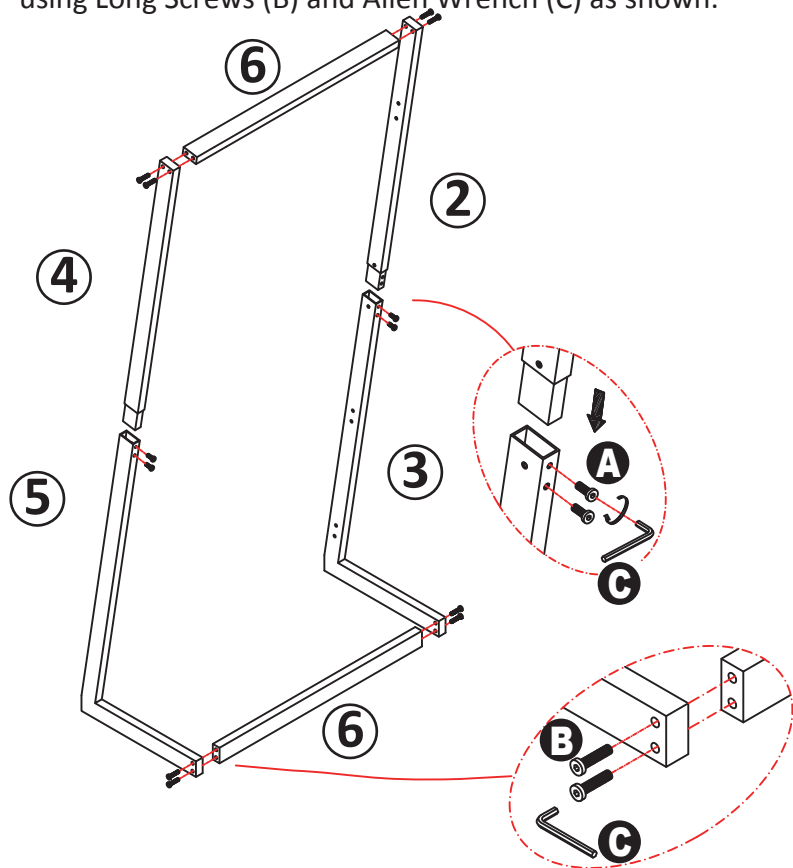
Please count and verify all parts before assembly.

Step 1

*Assemble unit on carpet or flat surface.

1. Connect Top Left Frame (2) to Left Leg (3) and Top Right Frame (4) to Right Leg (5) using Screws (A) and Allen Wrench (C) as shown.

2. Connect Crossbar (6) to Left and Right assemblies using Long Screws (B) and Allen Wrench (C) as shown.



A



x4

B



x8

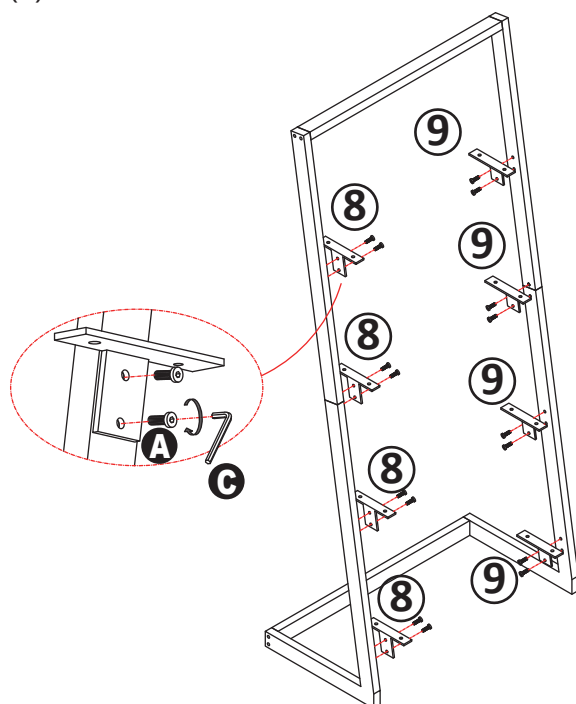
C



x1

Step 2

1. Connect Left Brackets (8) and Right Brackets (9) to assembly using Screws (A) and Allen Wrench (C) as shown.



A



x16

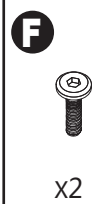
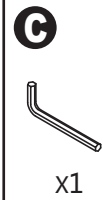
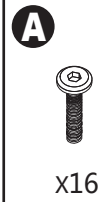
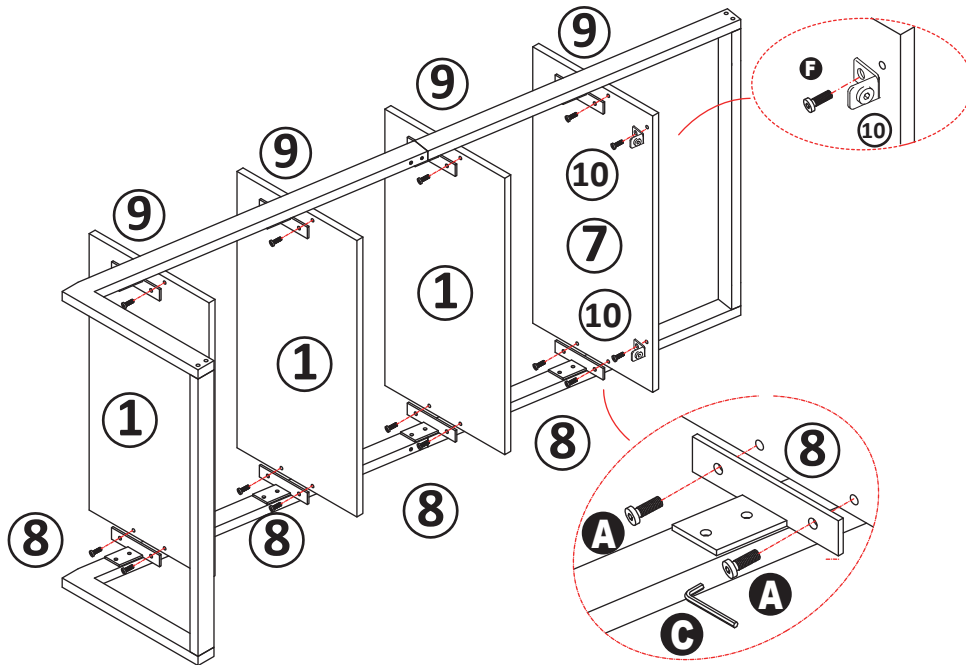
C



x1

Step 3

1. Place assembly on carpet or other soft surface as shown.
2. Attach Shelves (1) to Left Brackets (8) and Right Brackets (9) using Screws (A) and Allen Wrench (C) as shown.
3. Attach Top Brackets (10) to Top Shelf using Short Screw (F) as shown.



Step 4

1. Place unit in desired location and mark Top Bracket holes on wall with pencil then remove unit.
2. Drill holes slightly smaller than anchors (E) into drywall and gently tap anchors into holes.
3. Secure unit to the wall using Top Brackets (10) and Mounting Screws (D).

