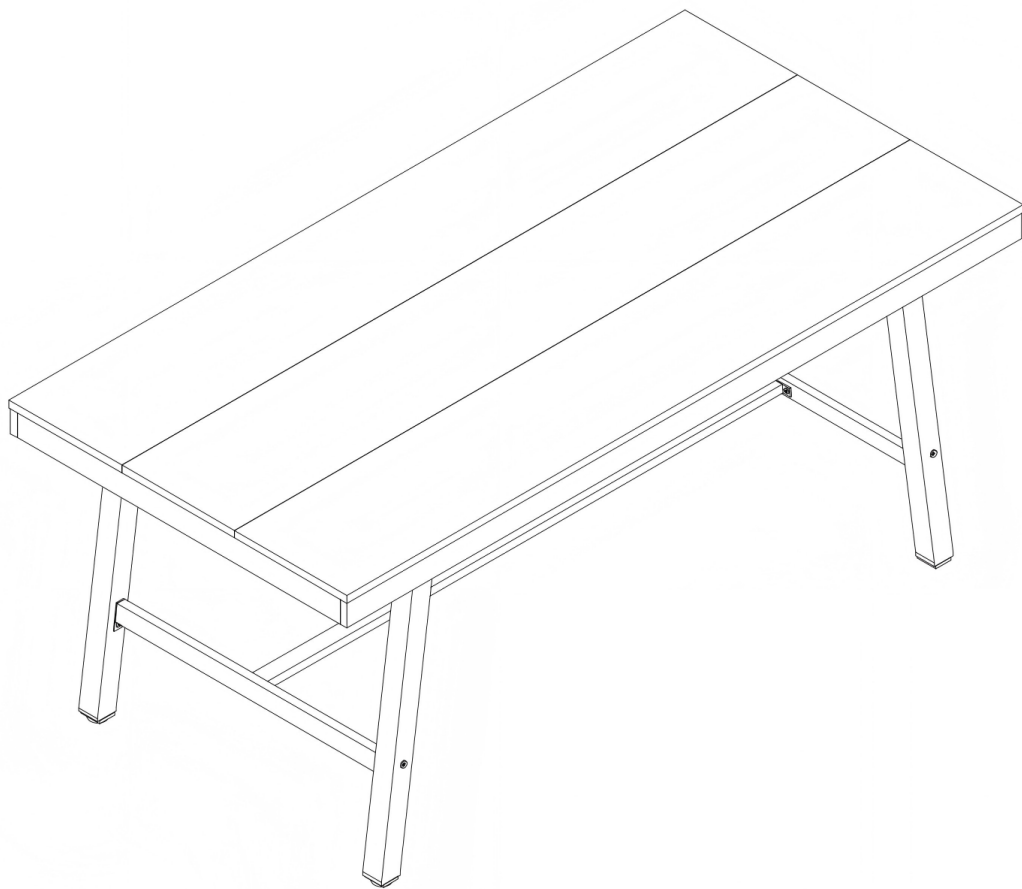


# Table/Desk

Product ID. 7AGT4



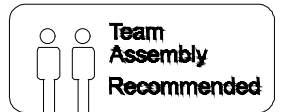
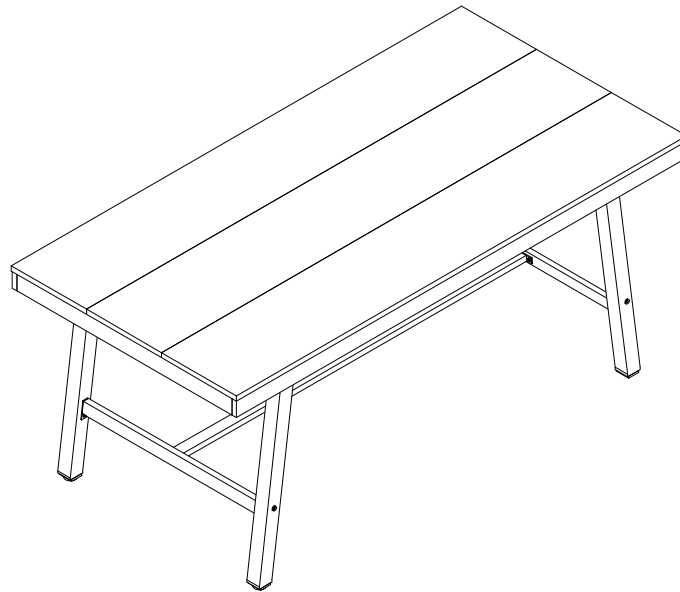
Scan for Support  
[support@garvee.com](mailto:support@garvee.com)



Distributed by  
**GARVEE**.com

V260526TU75

# Assembly Instruction



## Trouble shooting:

**Missing / Wrong / Broken parts and installation issues**



**Send email with your question pic, order NO. and screenshot of order details to:**  
***support@garvee.com***



**Respond within 24 hours**



**Issue resolved**

**THIS INSTRUCTION BOOKLET CONTAINS IMPORTANT SAFETY INFORMATION.  
PLEASE READ AND KEEP FOR FUTURE REFERENCE.**



- 1. Check all the components & screws are intact before assembling .**
- 2. If you notice any pieces are missing or damaged please do not assemble and contact us immediately .**
- 3. Please send an email with you order number and issues,we will respond within 24 hours.**

**Customer Service Team :support@garvee.com**

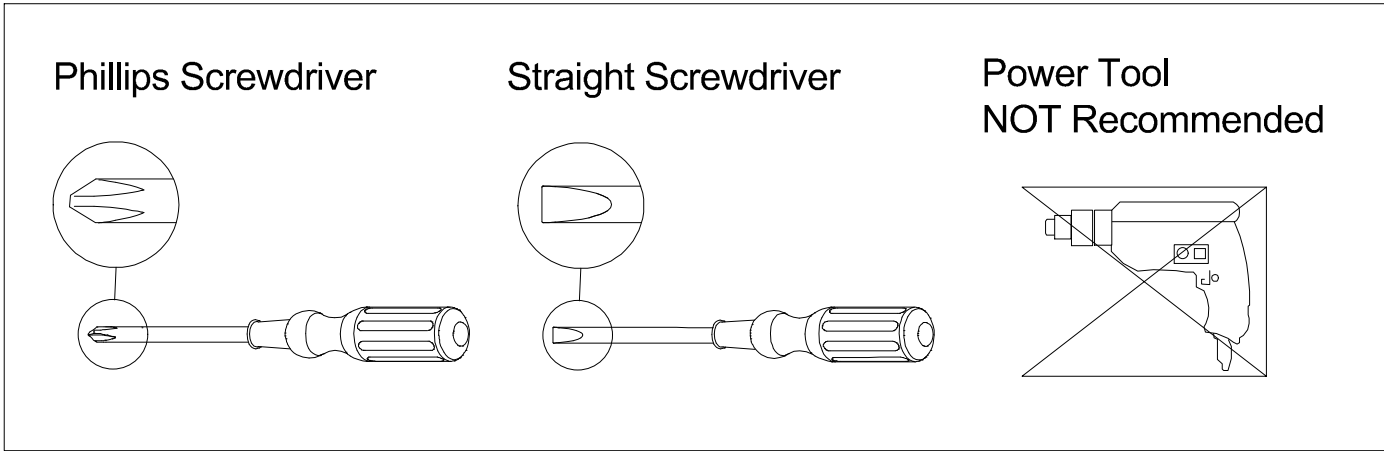
**Two people are needed**



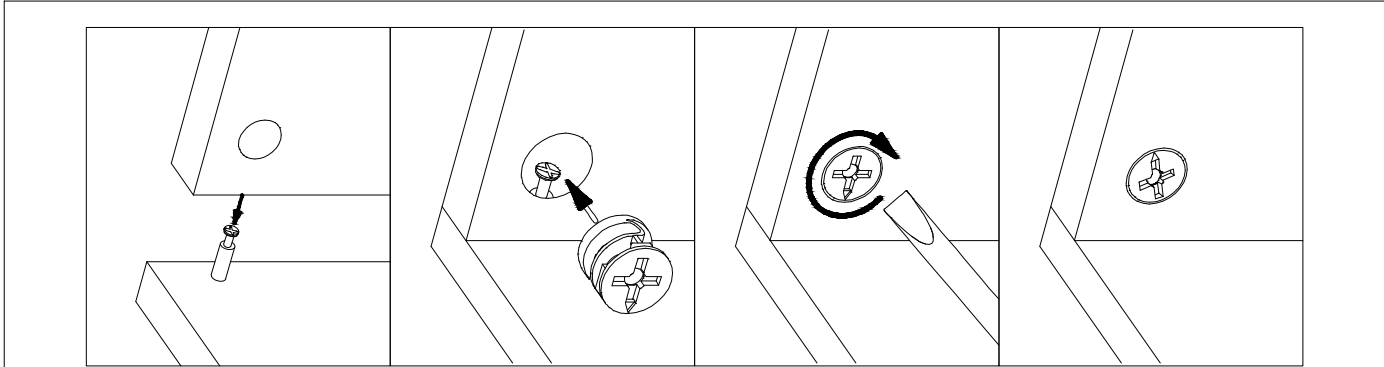
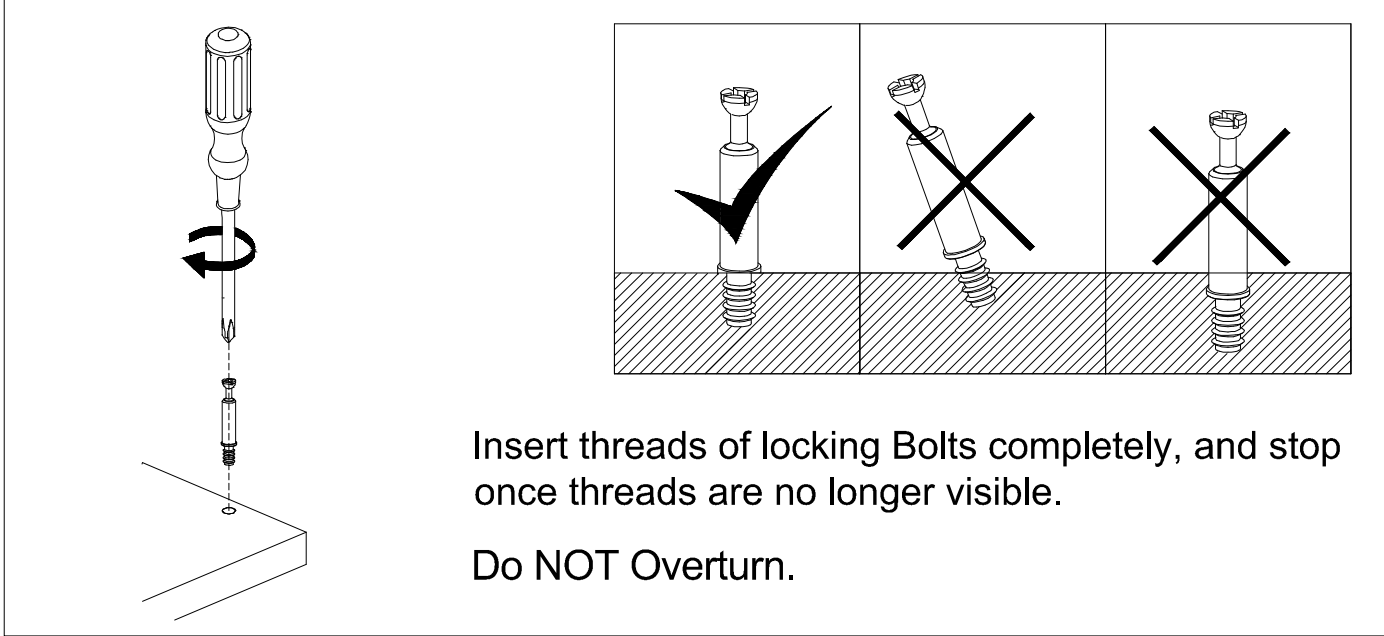
**IMPORTANT SAFETY INFORMATION**

- **Please carefully read the following instructions and caution warnings before assembling the product.**
- **Following this guide will ensure that you install, use and maintain the product properly.**
- **Please keep this installation and user manual/instructions for future reference in case you need to disassemble the product.**
- **Never allow children to climb onto the product. Ensure that you have special safety measures when children are around on their own.**
- **Be sure to check that all parts of the product are intact after you open the package.**
- **Do not assemble if you notice serious damage such as cracks or bends.**
- **During installation, please use work gloves for hand safety.**
- **Please assemble the unit on carpeted floor or the flat cardboard box to avoid scratching the surface or your floor while assembling on the floor.**
- **To assemble, please use the complimentary installation tools (Phillips screwdriver).**  
**Pay more attention to the direction of components at each step .**
- **Check the stability of the bolts, tighten them up after one or more months whenever required.**
- **It is recommended that two people work together to assemble the product.**

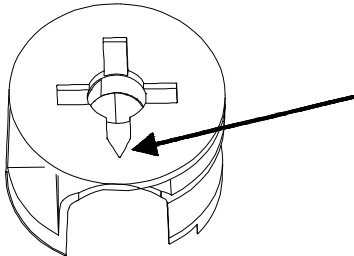
**Tools required** (Please prepare by yourself before installing)



**To ensure proper assembly, please read the following guides:**

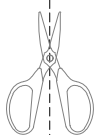
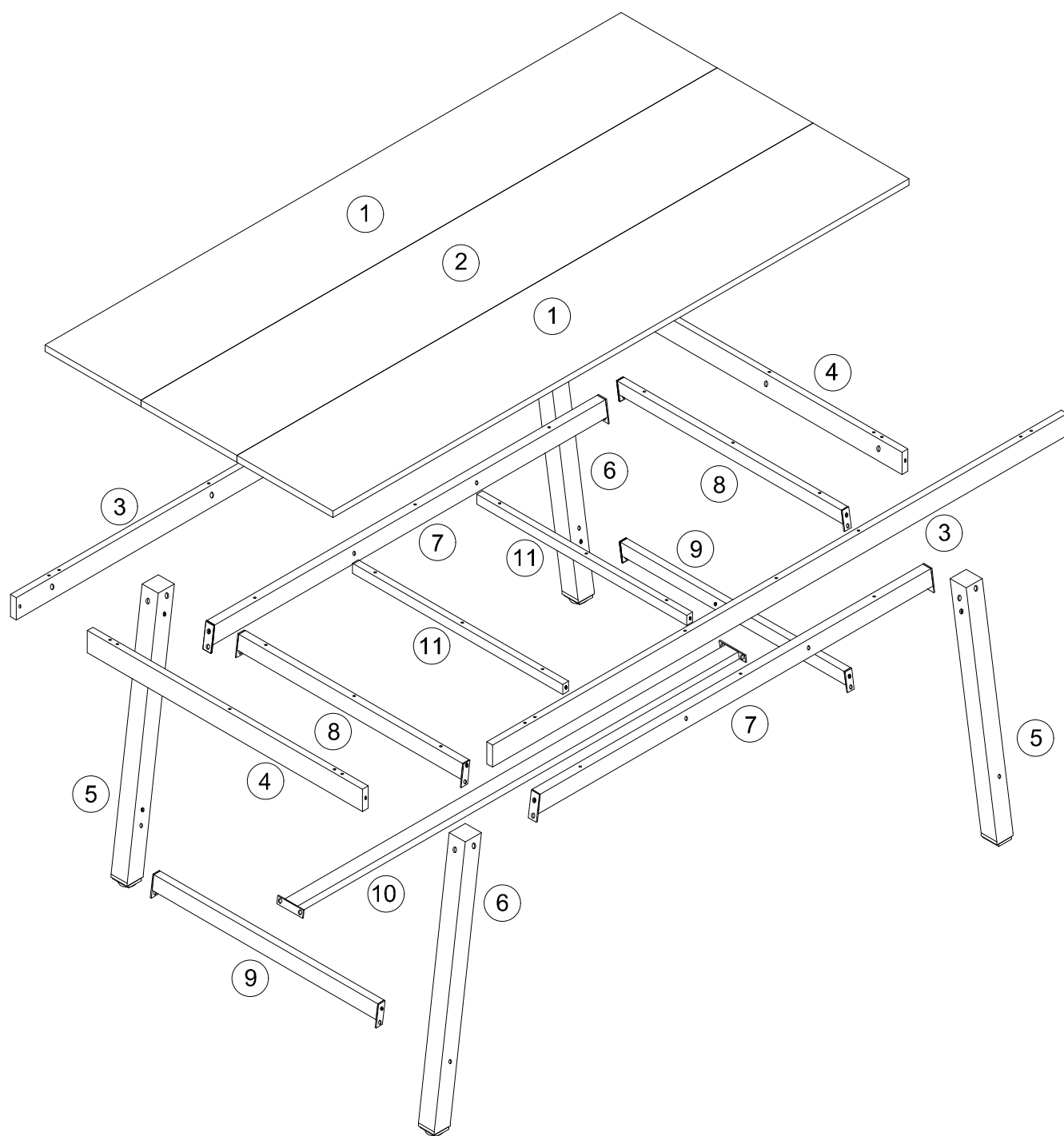


Reference this guide when assembling all Cam Locks.  
Do NOT Overturn.

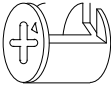

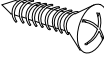
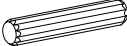
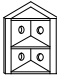






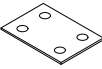




Notice:  
"Pointer Arrow" on cam face the Bolt  
when inserting the cam.

Part Nr.	Qty	Part Nr.	Qty	Part Nr.	Qty
1	2pcs	2	1pc	3	2pcs
4	2pcs	5	2pcs	6	2pcs
7	2pcs	8	2pcs	9	2pcs
10	1pc	11	2pcs		



Please cut if you need, but keep for the future use after assembling

<p>A x 22+2</p>  <p>Ø15x10mm</p>	<p>B x 14+1</p>  <p>Ø6x34mm</p>	<p>C x 40+2</p>  <p>3.5x14mm</p>	<p>D x 20+2</p>  <p>Ø8x30mm</p>
<p>E x 4</p> 	<p>F x 12+1</p>  <p>5/16"x63mm</p>	<p>G x 12+1</p>  <p>1/4 "x60mm</p>	<p>H x 16+1</p>  <p>1/4 "x12mm</p>
<p>I x 10+1</p>  <p>1/4 "x40mm</p>	<p>J x 1</p>  <p>5mm</p>	<p>K x 1</p>  <p>4mm</p>	<p>L x 6</p> 
<p>M x 8</p>  <p>Ø10x10mm</p>	<p>N x 8</p>  <p>Ø6x40mm</p>		

PRODUCT ASSEMBLY

1



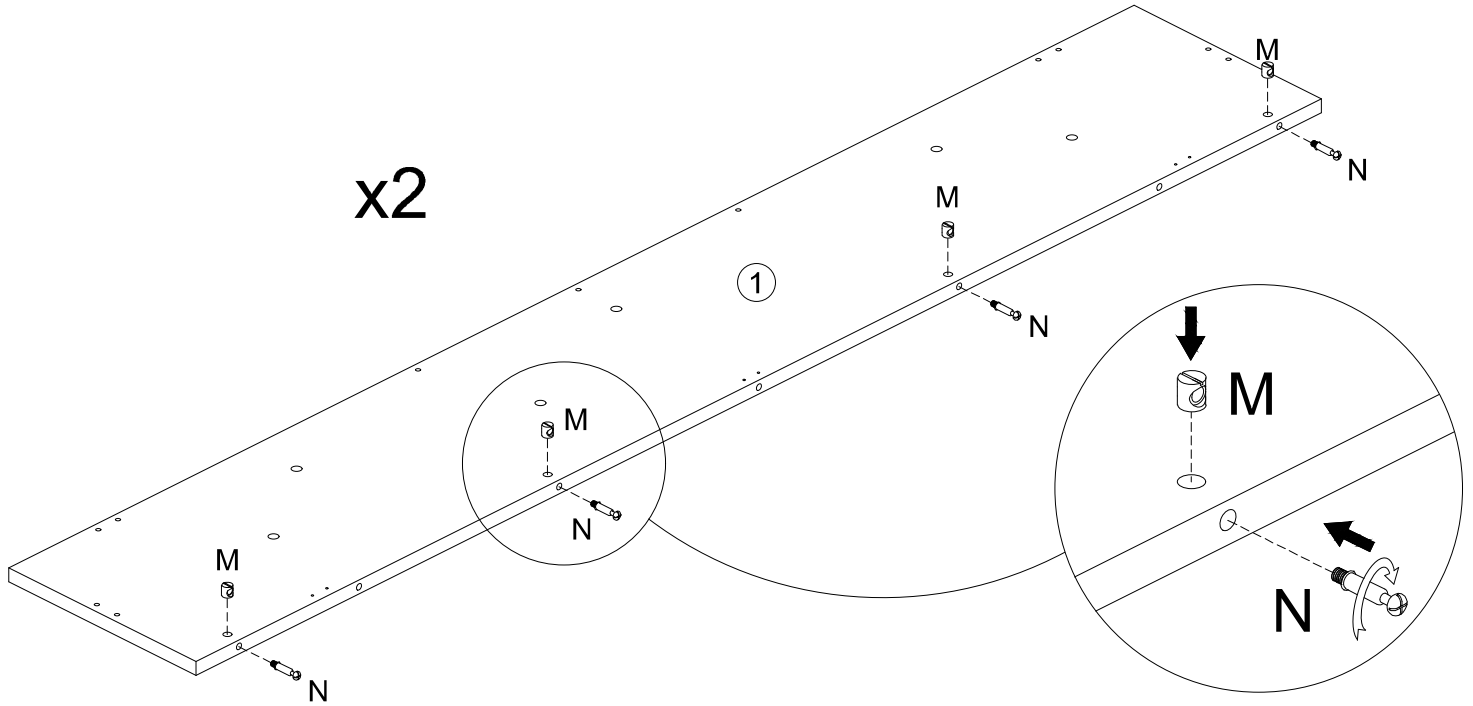
M x 8



N x 8



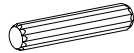
① x 2



2



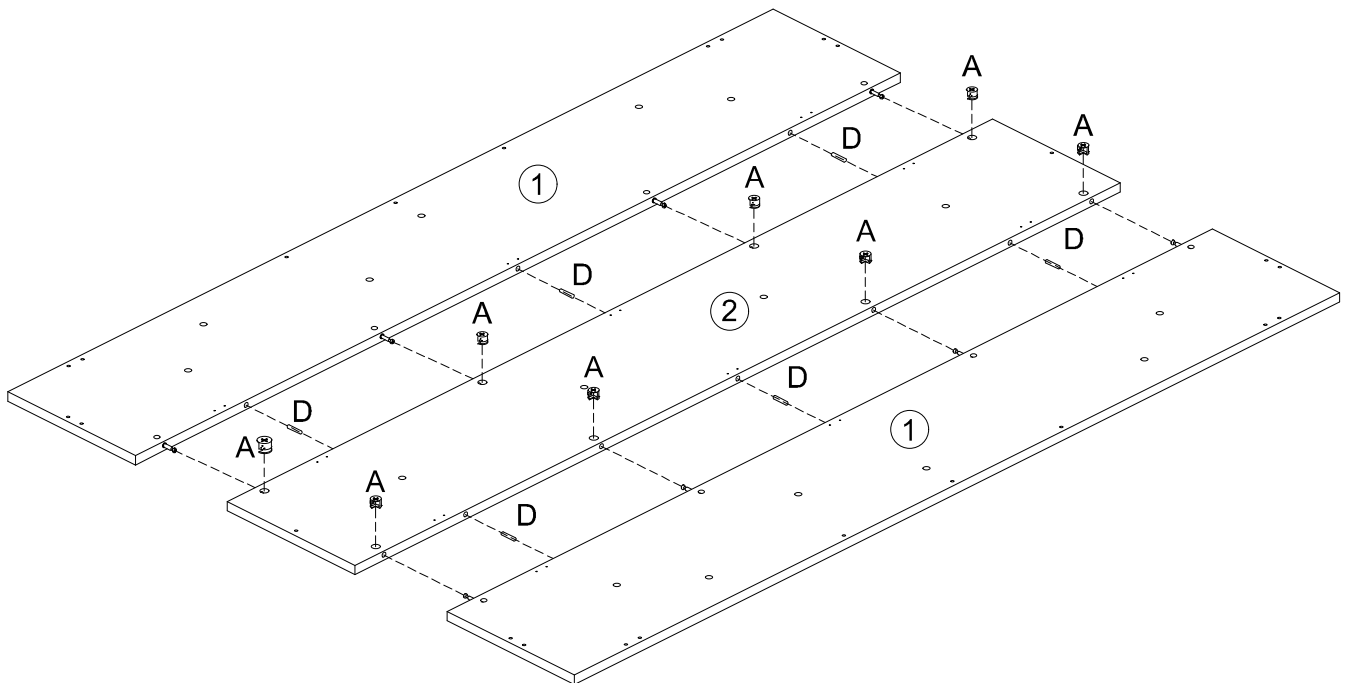
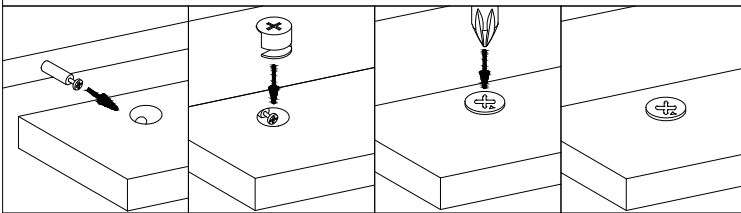
A x 8



D x 6

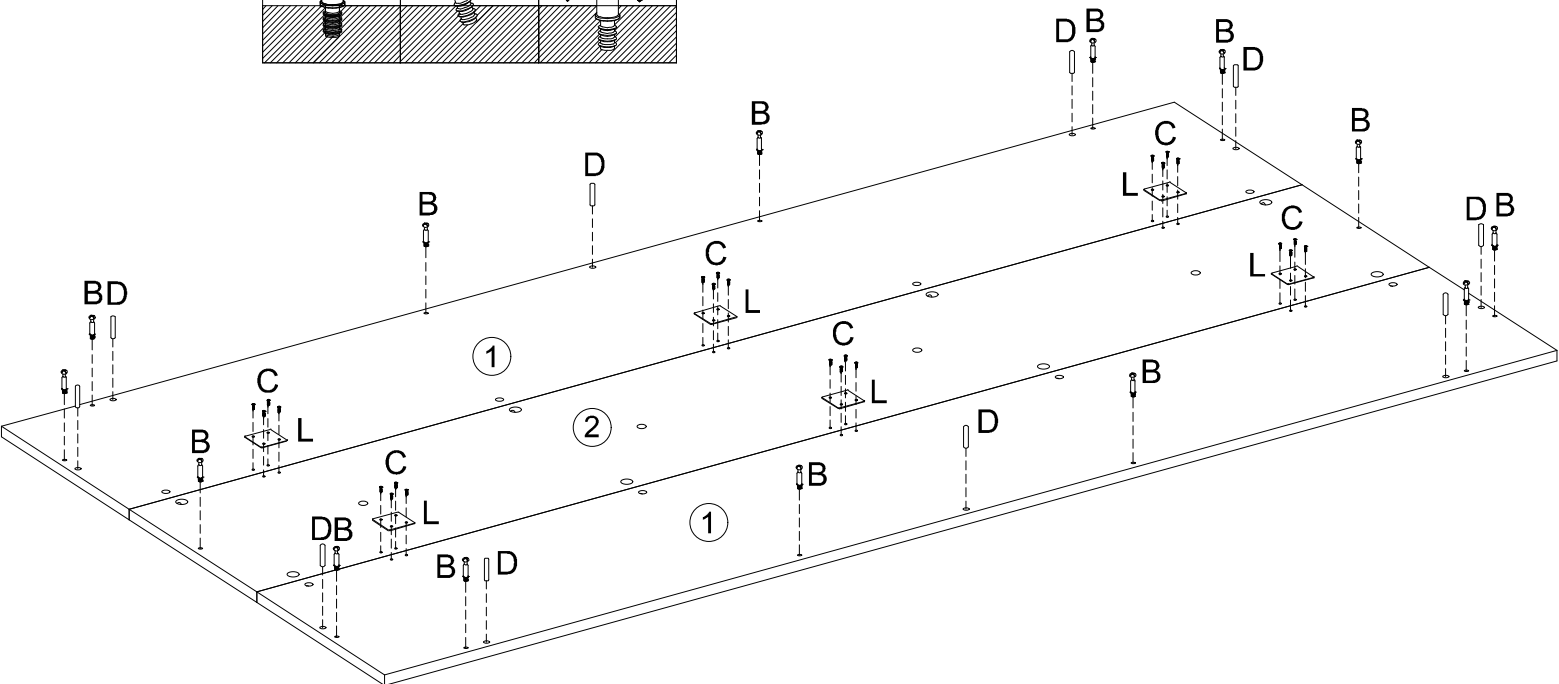
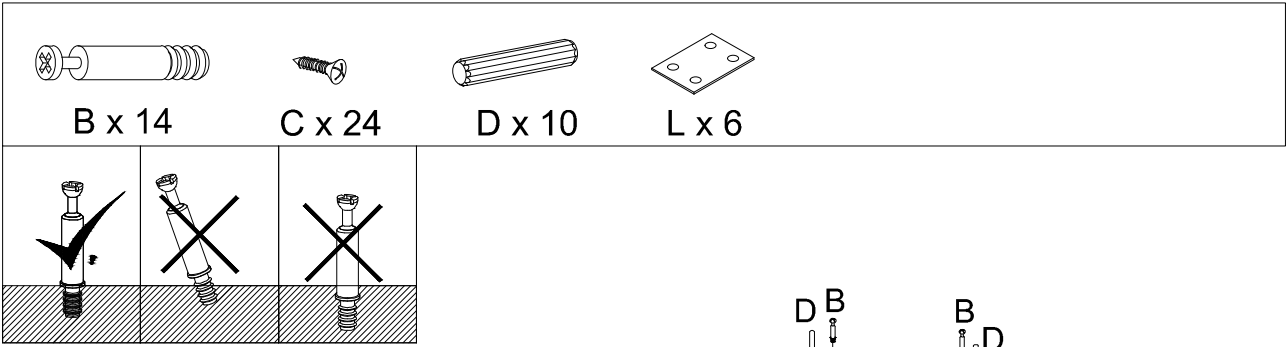


② x 1

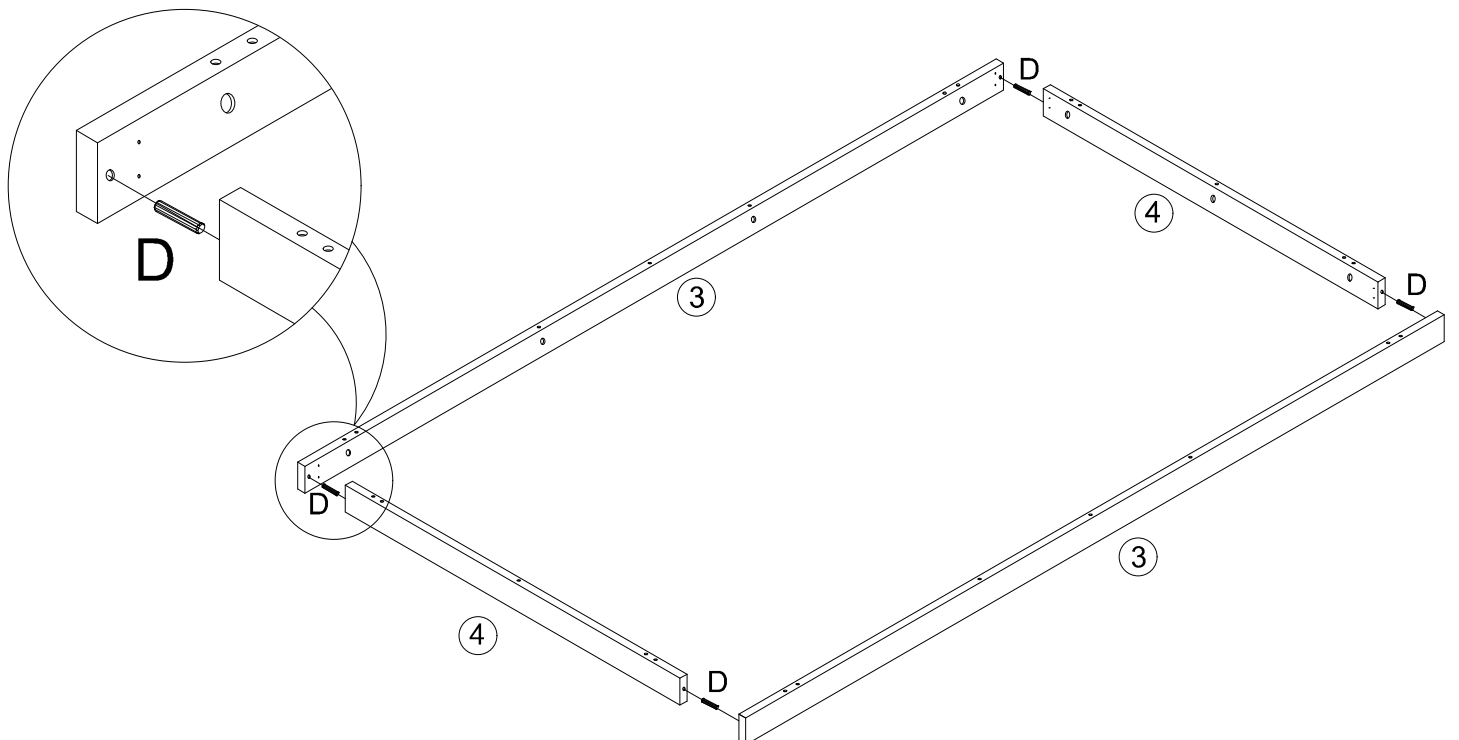
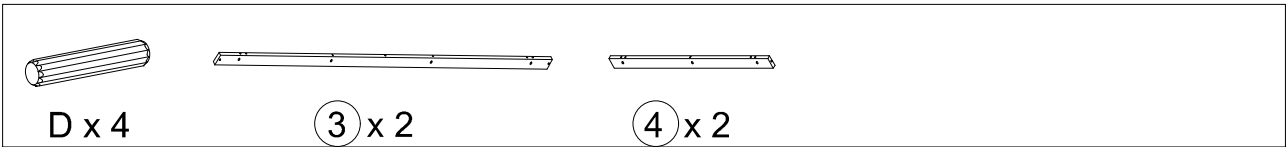


**PRODUCT ASSEMBLY**

**3**



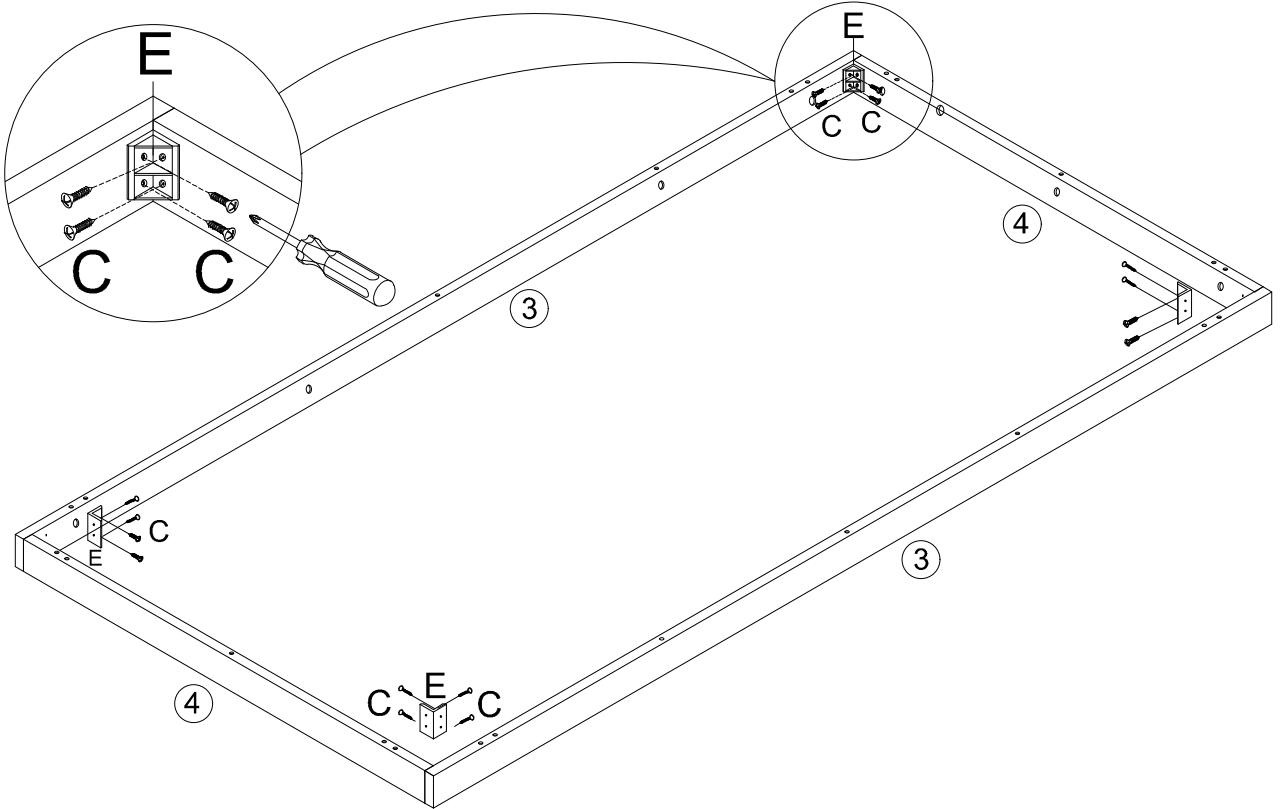
**4**



**PRODUCT ASSEMBLY**

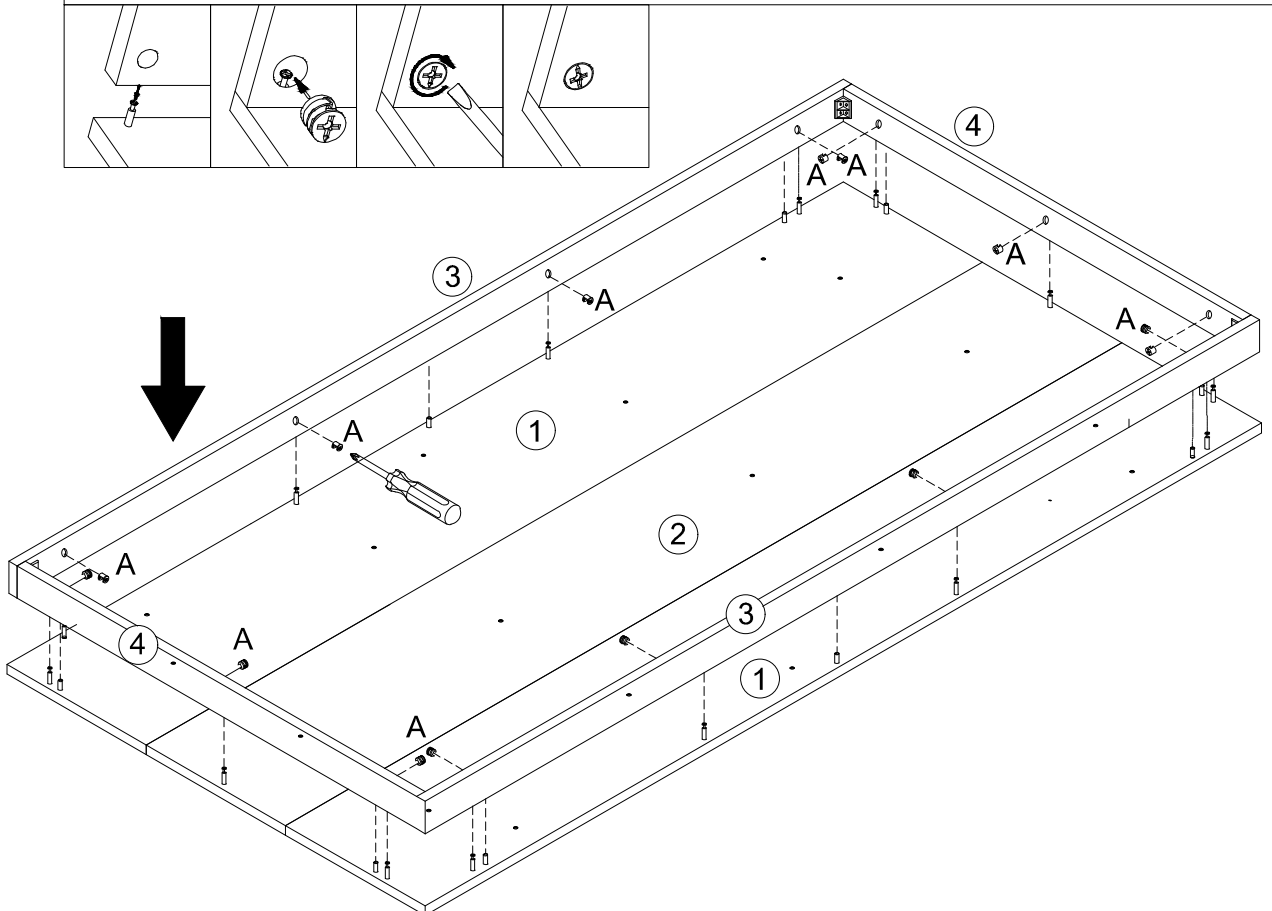
**5**

 **C x 16**       **E x 4**



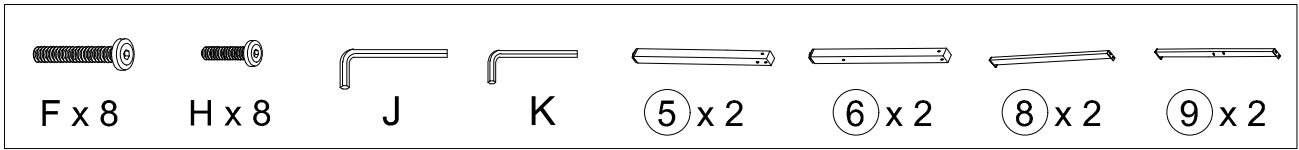
**6**

 **A x 14**

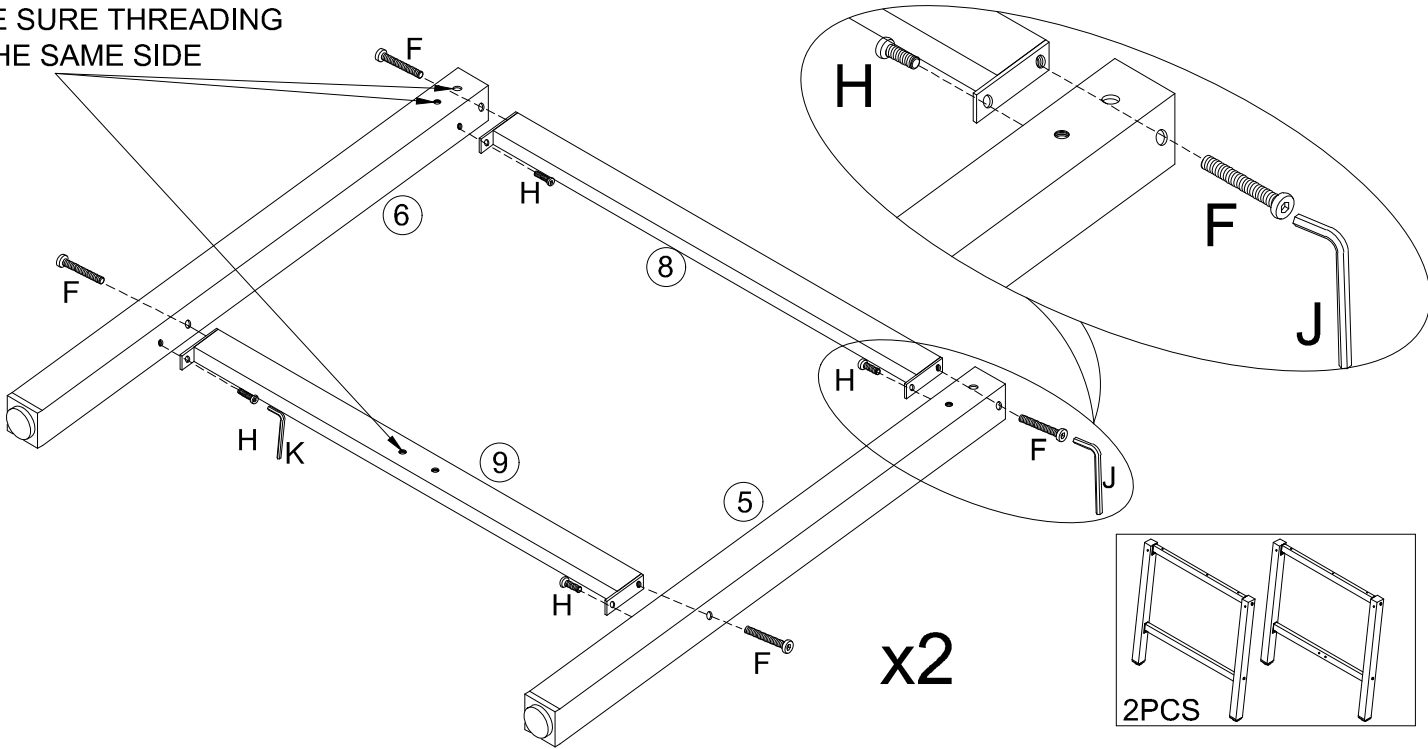


PRODUCT ASSEMBLY

7

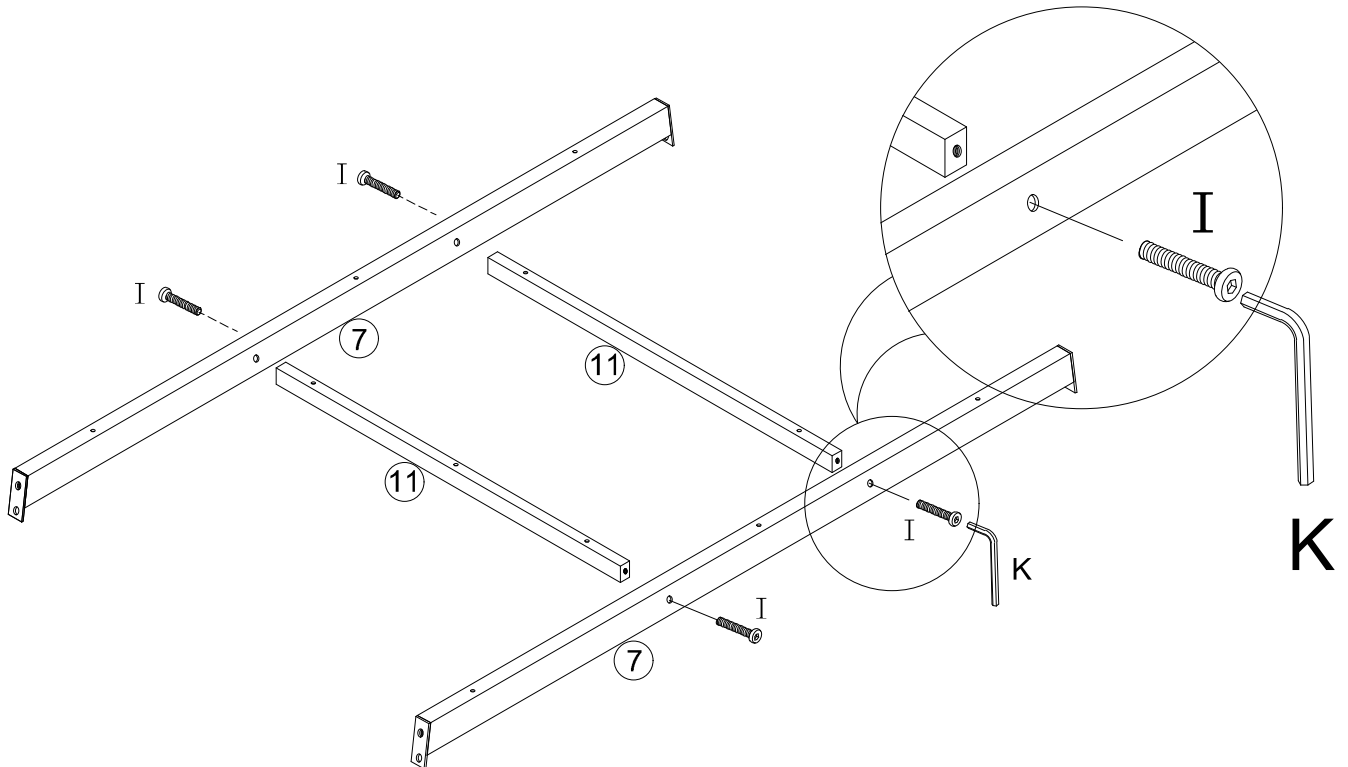
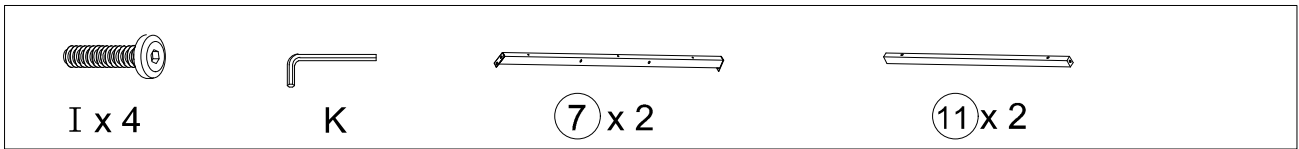


MAKE SURE THREADING  
AT THE SAME SIDE



DO NOT FULLY TIGHTEN ALLEN SCREWS UNTIL THE END OF STEP 10

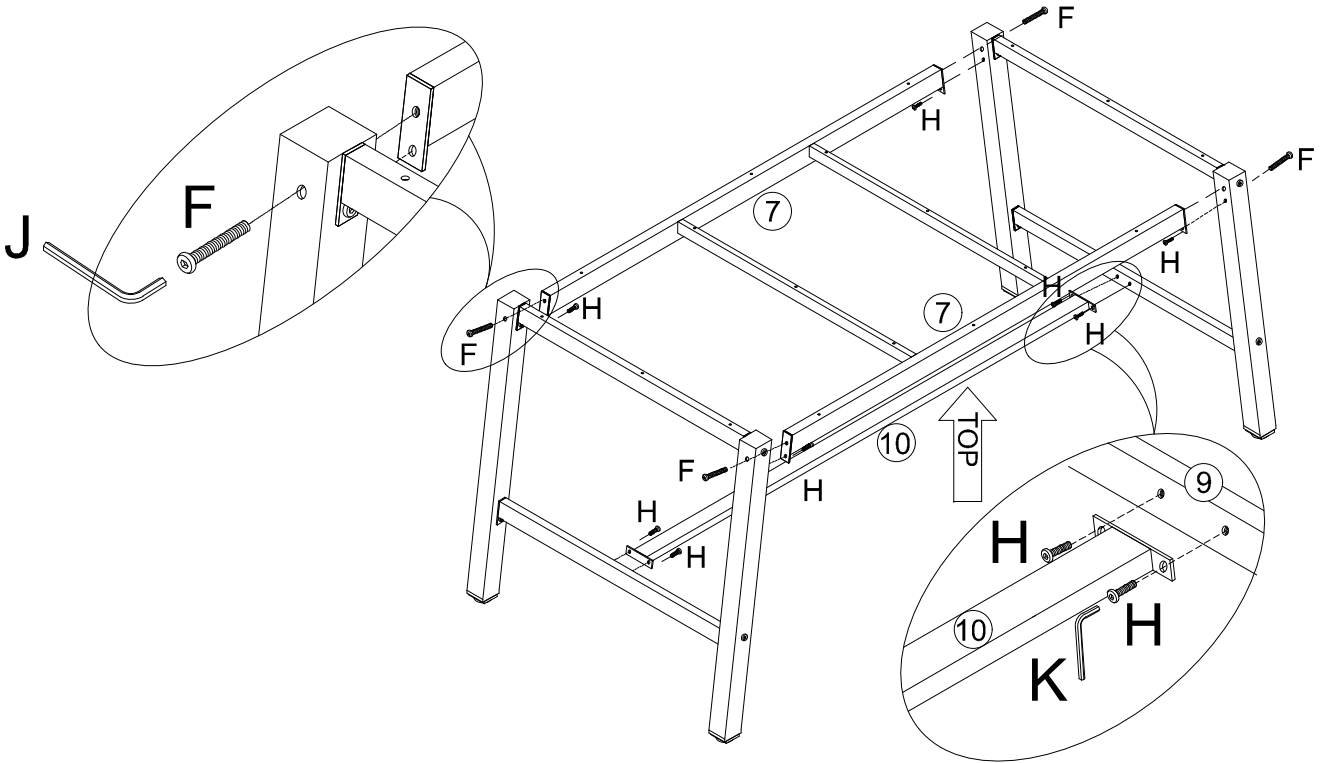
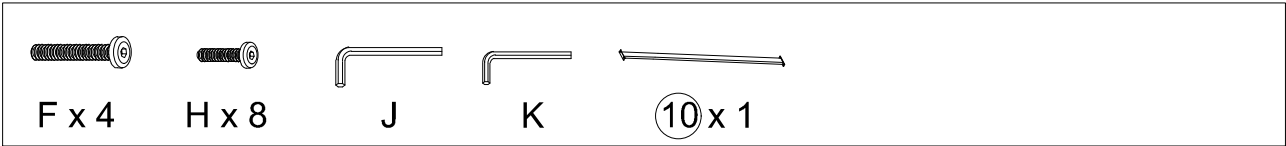
8



DO NOT FULLY TIGHTEN ALLEN SCREWS UNTIL THE END OF STEP 10

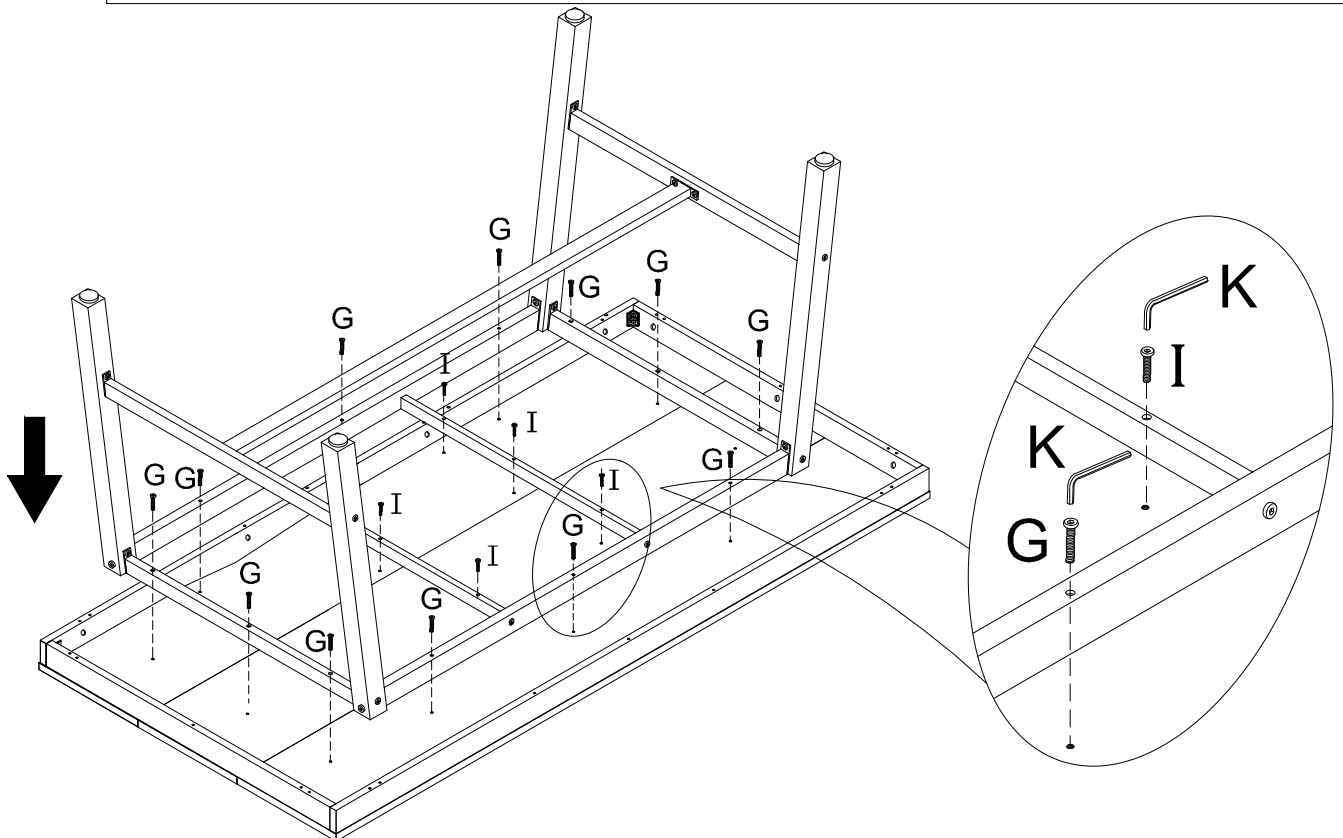
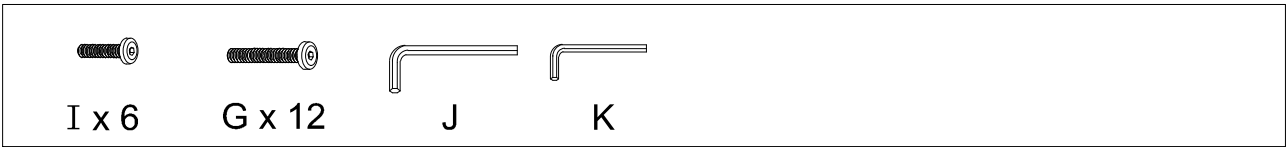
**PRODUCT ASSEMBLY**

**9**



**DO NOT FULLY TIGHTEN ALLEN SCREWS UNTIL THE END OF STEP 10**

**10**



**FULLY TIGHTEN ALL SCREWS AT THE END OF THIS STEP**

**GARVEE**  
support@garvee.com