
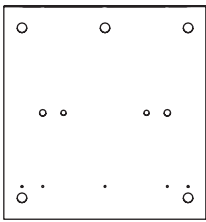
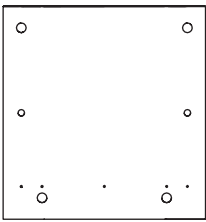
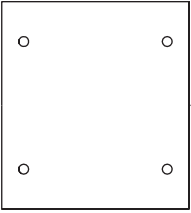



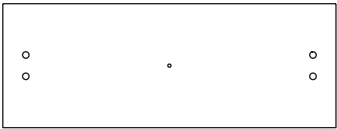



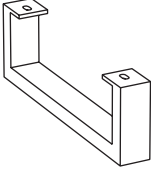
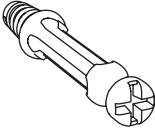

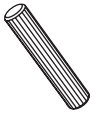
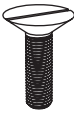



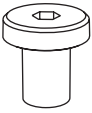
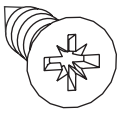
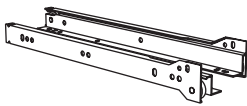


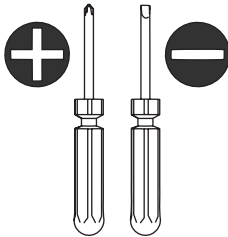
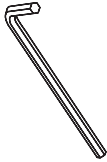
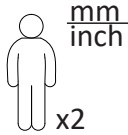
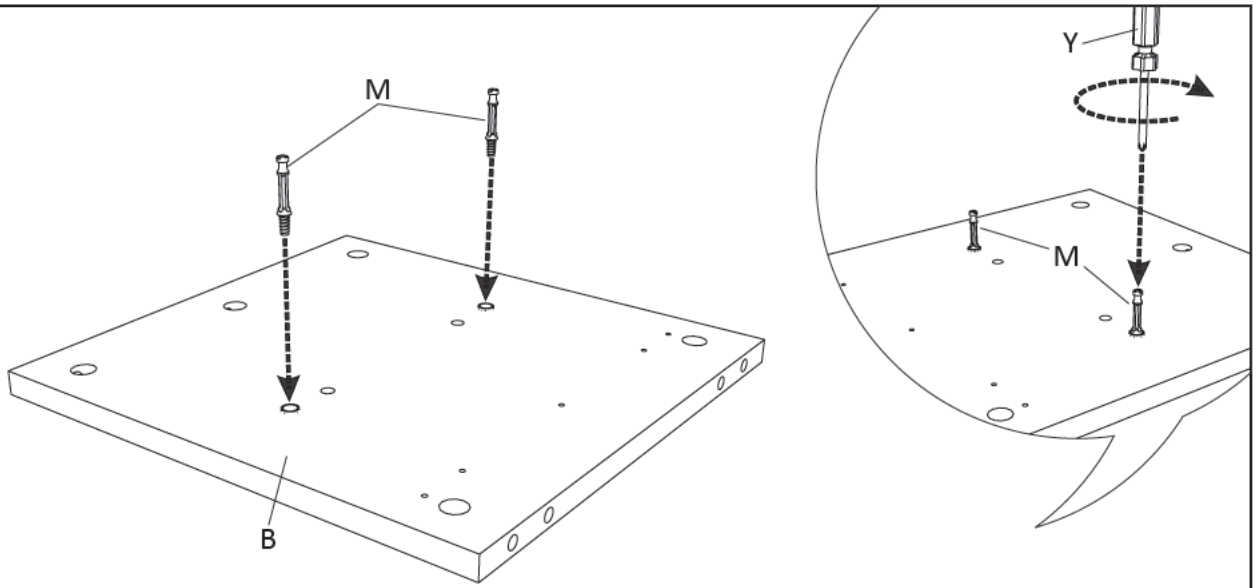
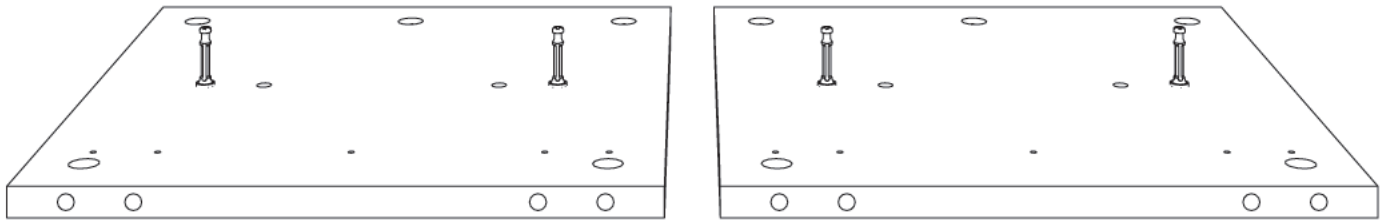


<p>Ax1</p>  <p>$\frac{802 \times 329}{31.6 \times 13.0}$</p>	<p>Bx2</p>  <p>$\frac{312 \times 328}{12.3 \times 12.9}$</p>	<p>Cx1</p>  <p>$\frac{312 \times 328}{12.3 \times 12.9}$</p>	<p>Dx1</p>  <p>$\frac{282 \times 312}{11.1 \times 12.3}$</p>	
<p>Ex1</p>  <p>$\frac{471 \times 312}{18.5 \times 12.3}$</p>	<p>Fx1</p>  <p>$\frac{800 \times 312}{31.5 \times 12.3}$</p>	<p>Gx2</p>  <p>$\frac{798 \times 179}{31.4 \times 7.0}$</p>	<p>Hx1</p>  <p>$\frac{500 \times 186}{19.7 \times 7.3}$</p>	
<p>Ix2</p>  <p>$\frac{285 \times 70}{11.2 \times 2.8}$</p>	<p>Jx1</p>  <p>$\frac{446 \times 70}{17.6 \times 2.8}$</p>	<p>Kx1</p>  <p>$\frac{442 \times 298}{17.4 \times 11.7}$</p>	<p>Lx2</p>  <p>$\frac{40 \times 310 \times 100}{1.6 \times 12.2 \times 3.9}$</p>	<p>Mx30</p>  <p>$\frac{\Phi 6 \times 36}{\Phi 0.2 \times 1.4}$</p>
<p>Nx30</p>  <p>$\frac{\Phi 15 \times 11}{\Phi 0.6 \times 0.4}$</p>	<p>Ox16</p>  <p>$\frac{\Phi 8 \times 40}{\Phi 0.3 \times 1.6}$</p>	<p>Px1</p>  <p>$\frac{\Phi 5 \times 25}{\Phi 0.2 \times 1.0}$</p>	<p>Qx1</p> 	<p>Rx4</p>  <p>$\Phi 6$</p>
<p>Sx4</p>  <p>$\frac{\Phi 6 \times 16}{\Phi 0.2 \times 0.6}$</p>	<p>Tx4</p>  <p>$\frac{\Phi 8 \times 12}{\Phi 0.3 \times 0.5}$</p>	<p>Ux8</p>  <p>$\frac{\Phi 3 \times 12}{\Phi 0.1 \times 0.5}$</p>	<p>Vx1</p> 	<p>Wx1</p>  <p>$\frac{100 \times 25}{3.9 \times 1.0}$</p>
<p>Xx16</p> 	<p>Yx1</p> 	<p>Zx1</p>  <p>$\Phi 5$</p>	 <p>x2</p>	

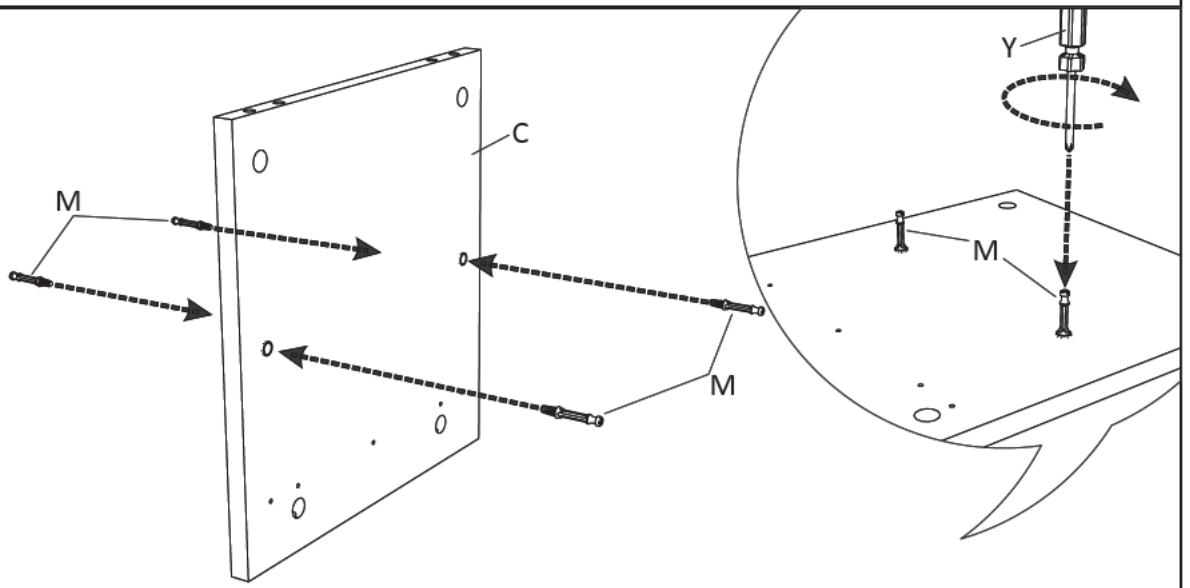
1



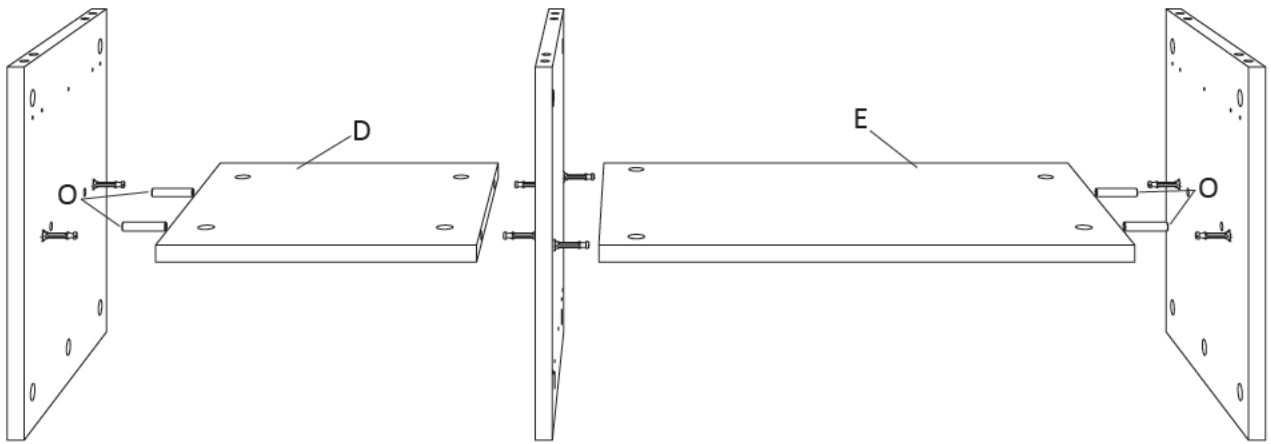
2



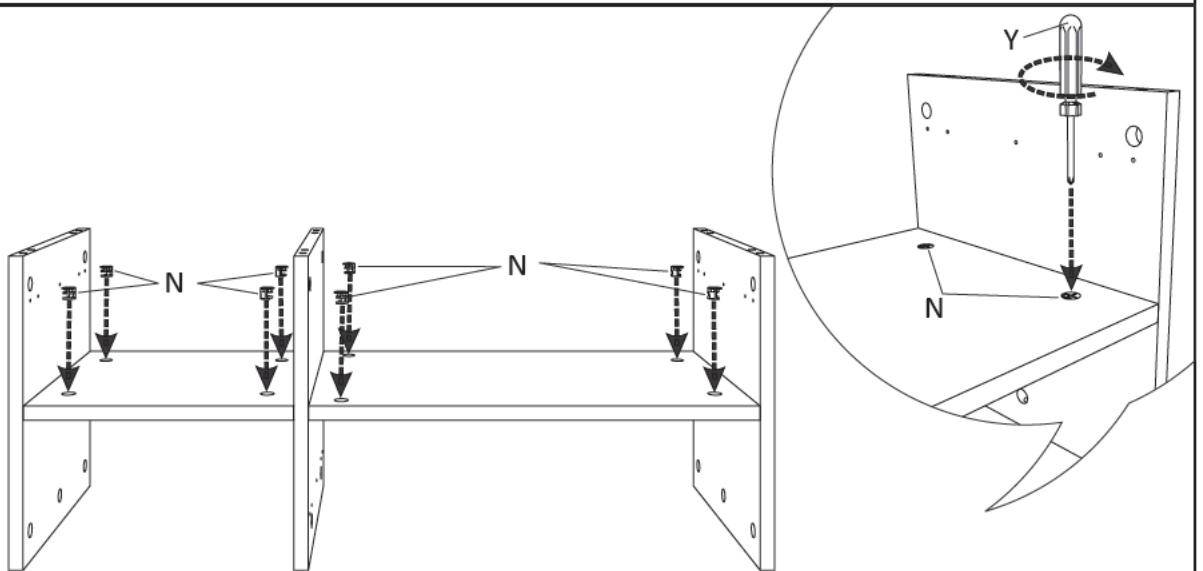
3



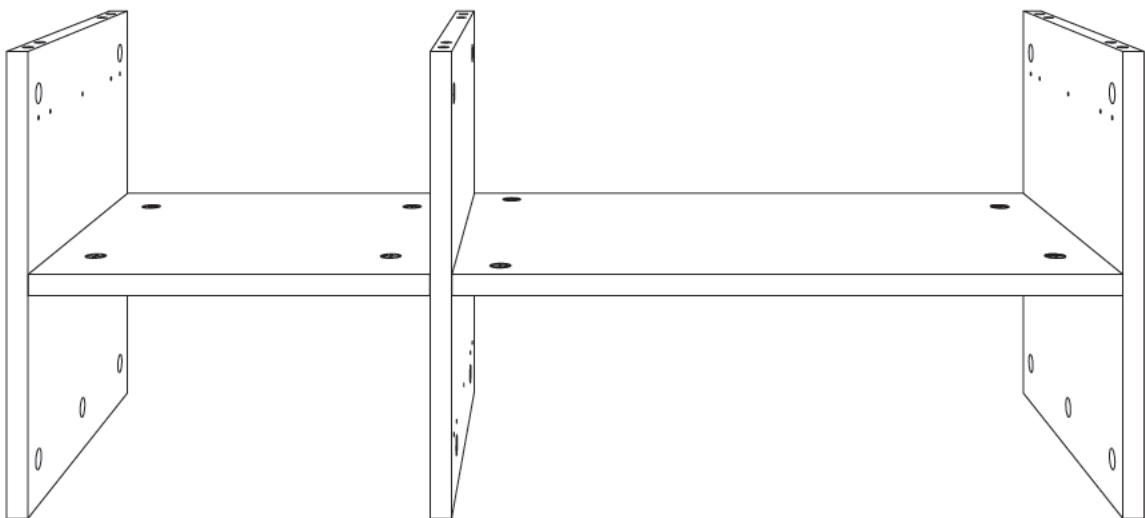
4



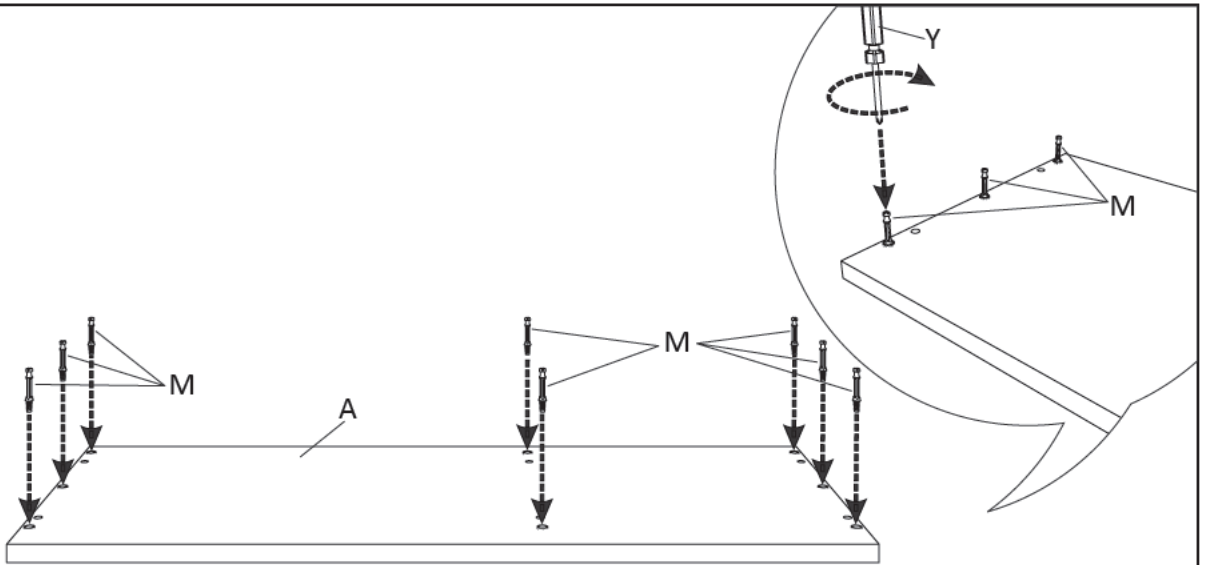
5



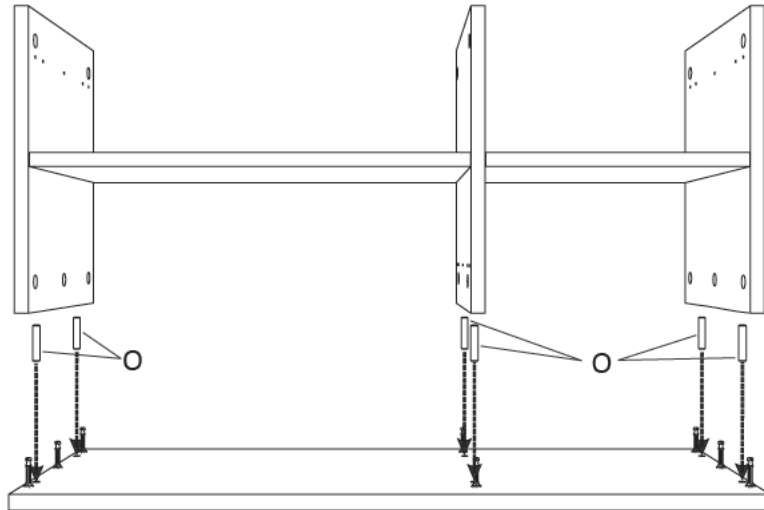
6



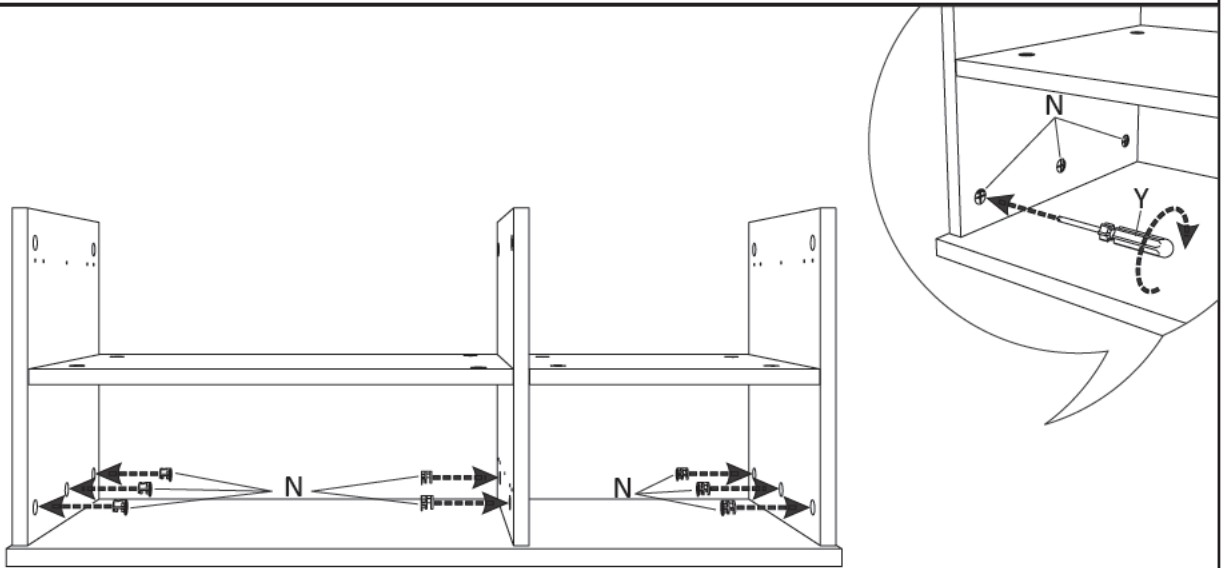
7



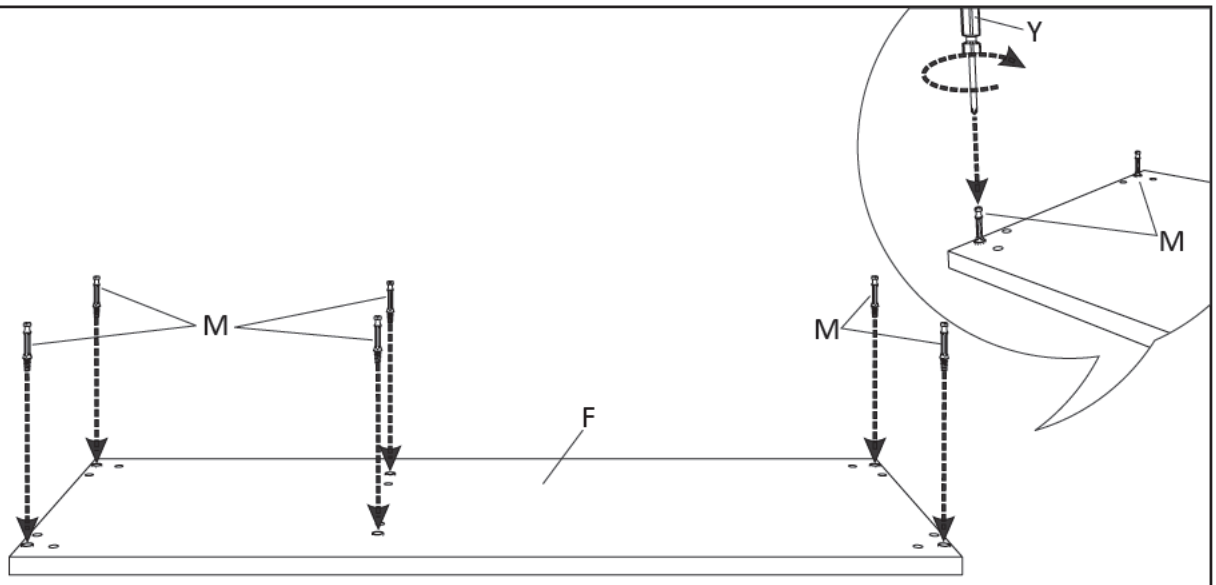
8



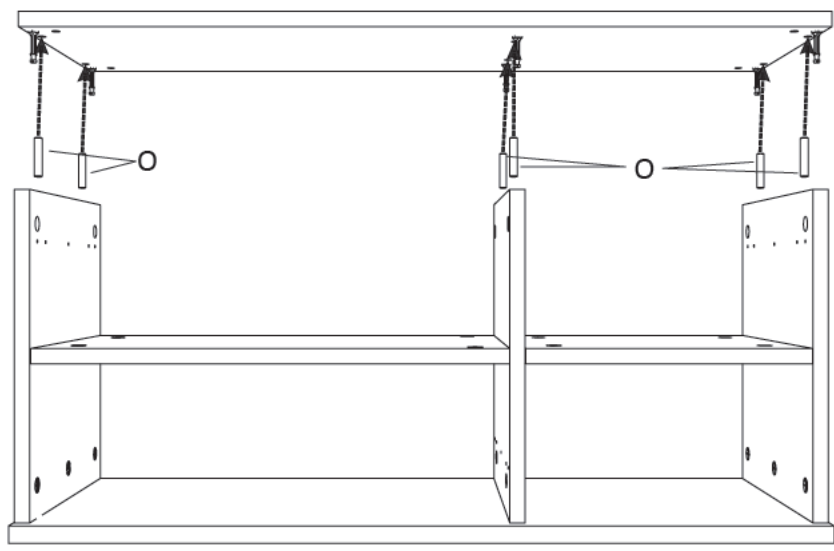
9



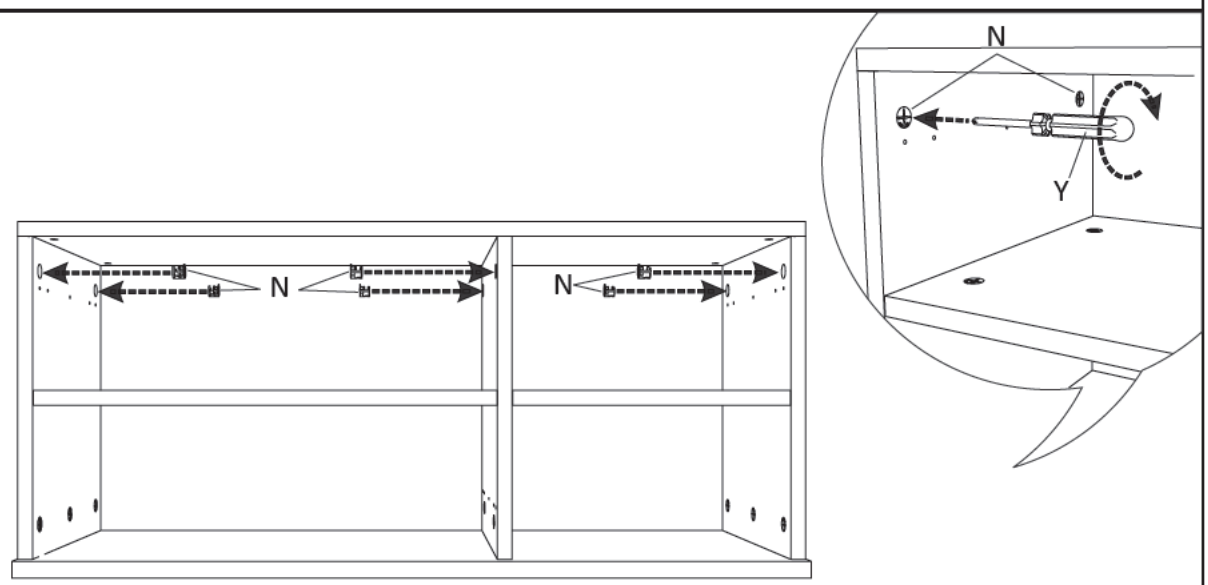
10



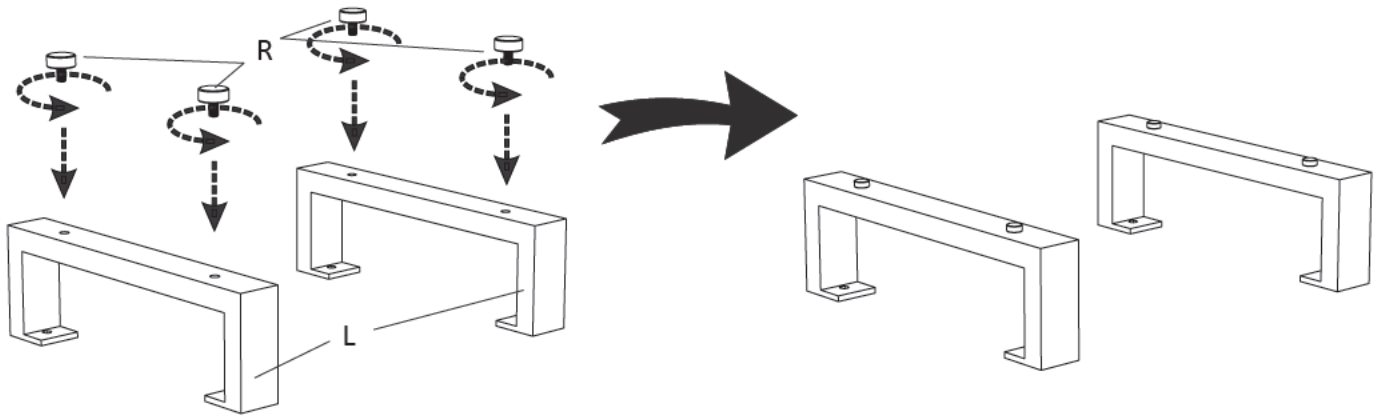
11



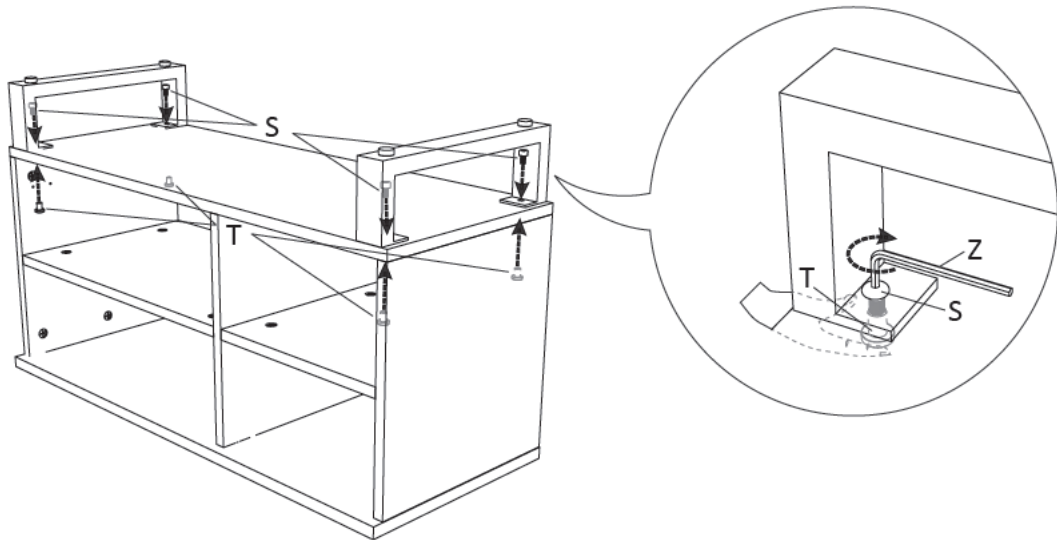
12



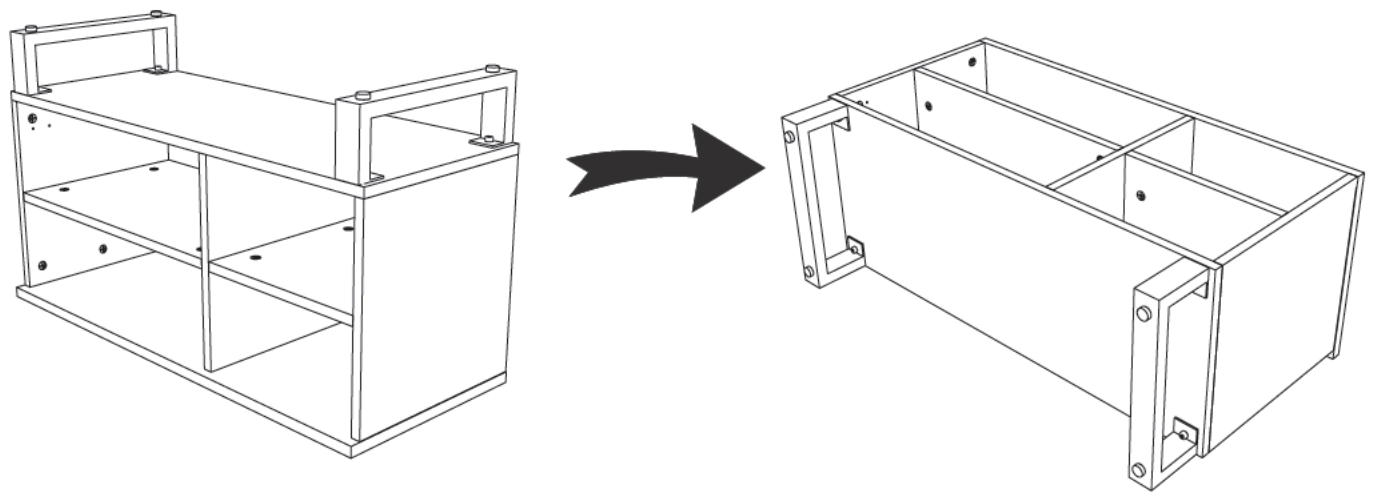
13



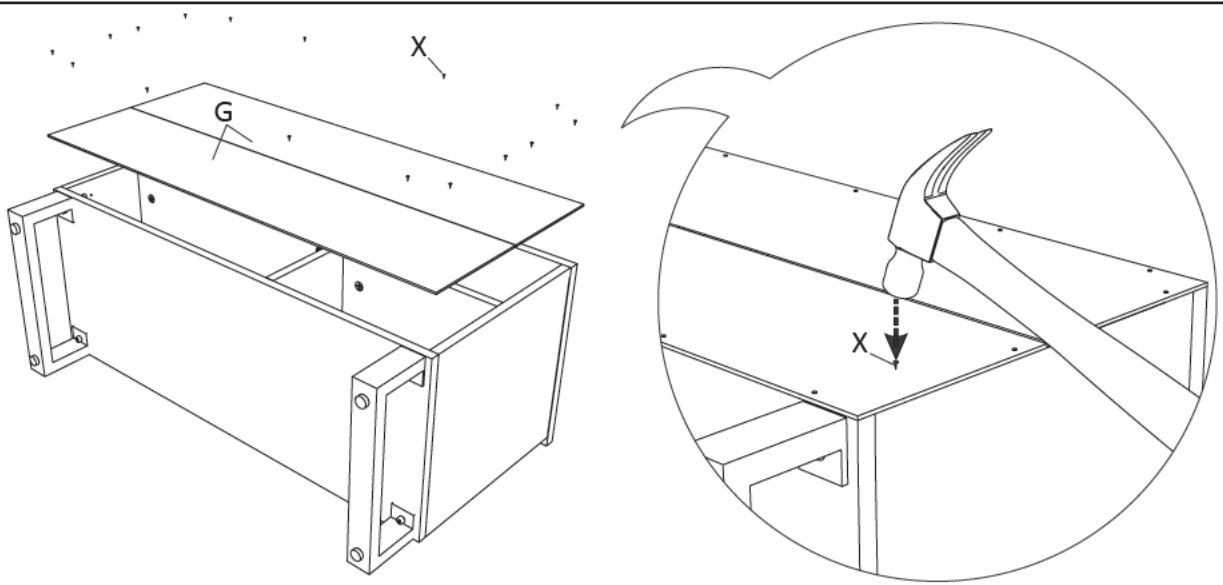
14



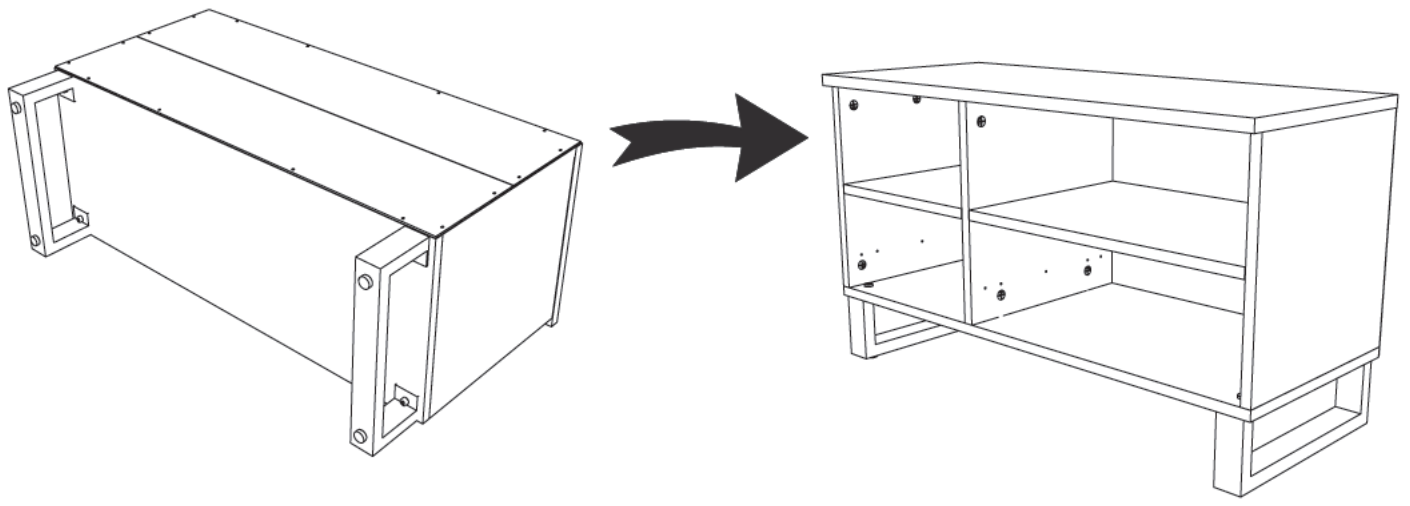
15



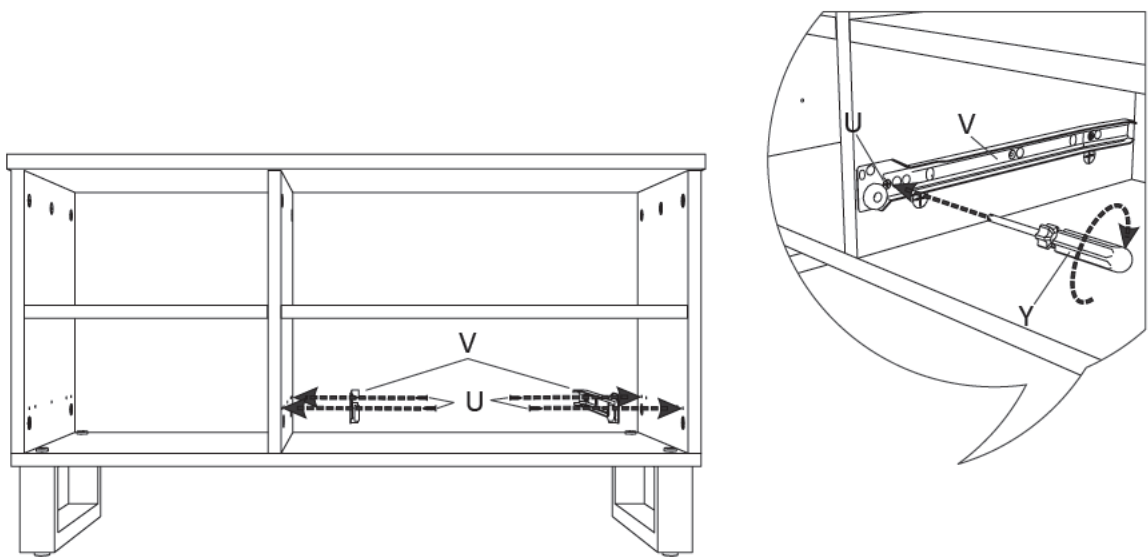
16



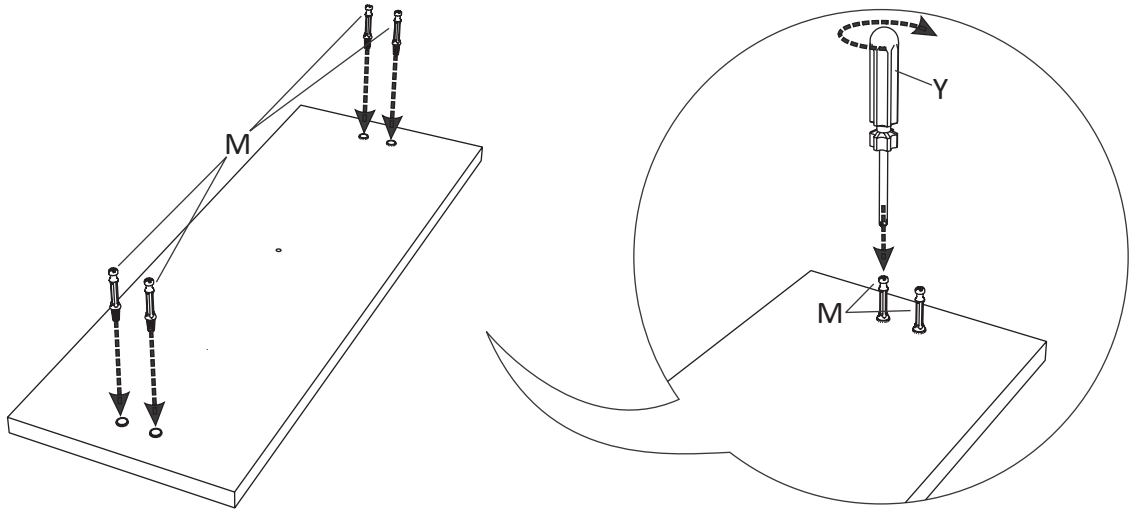
17



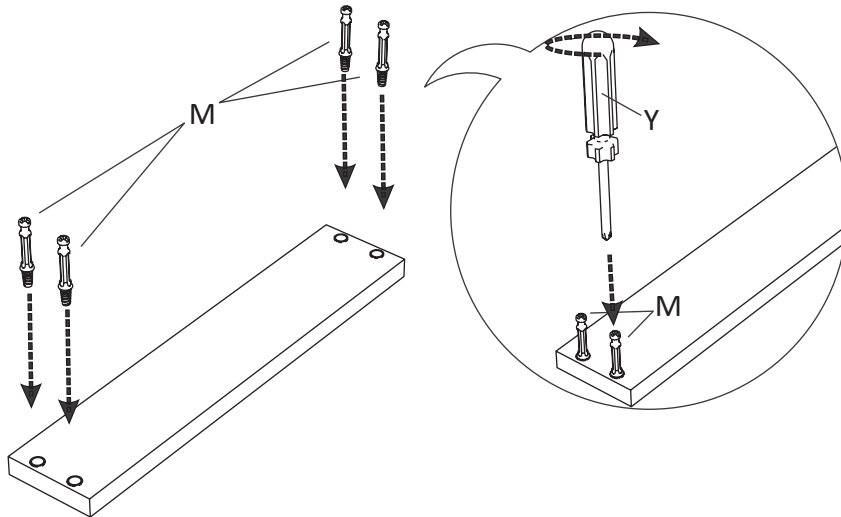
18



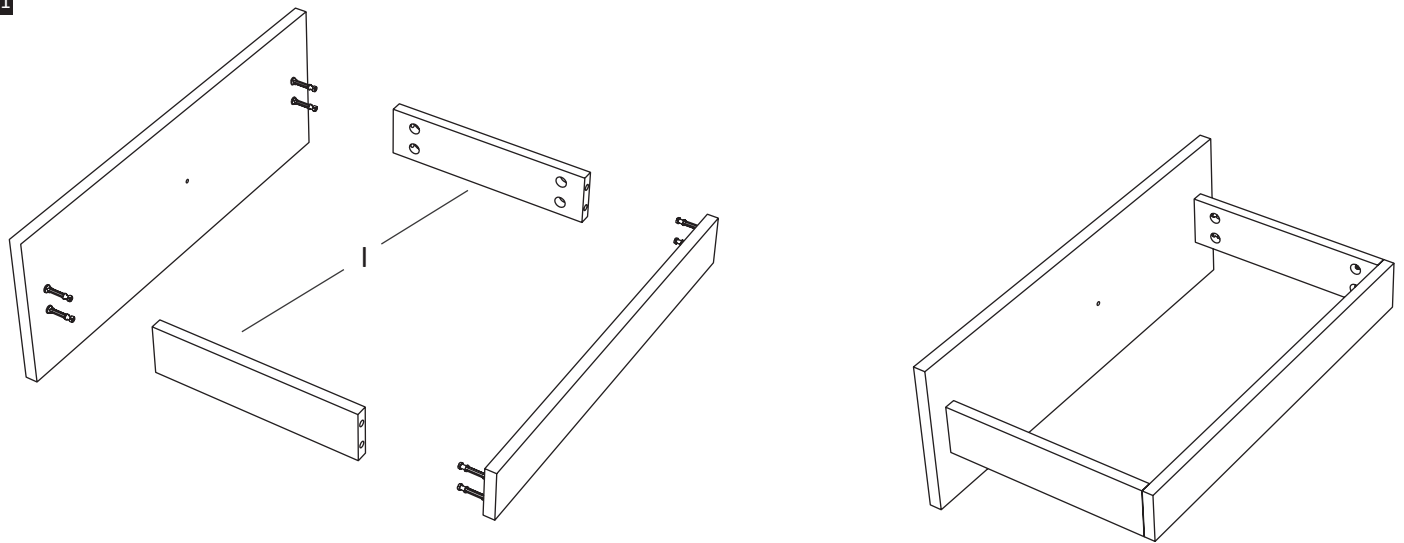
19



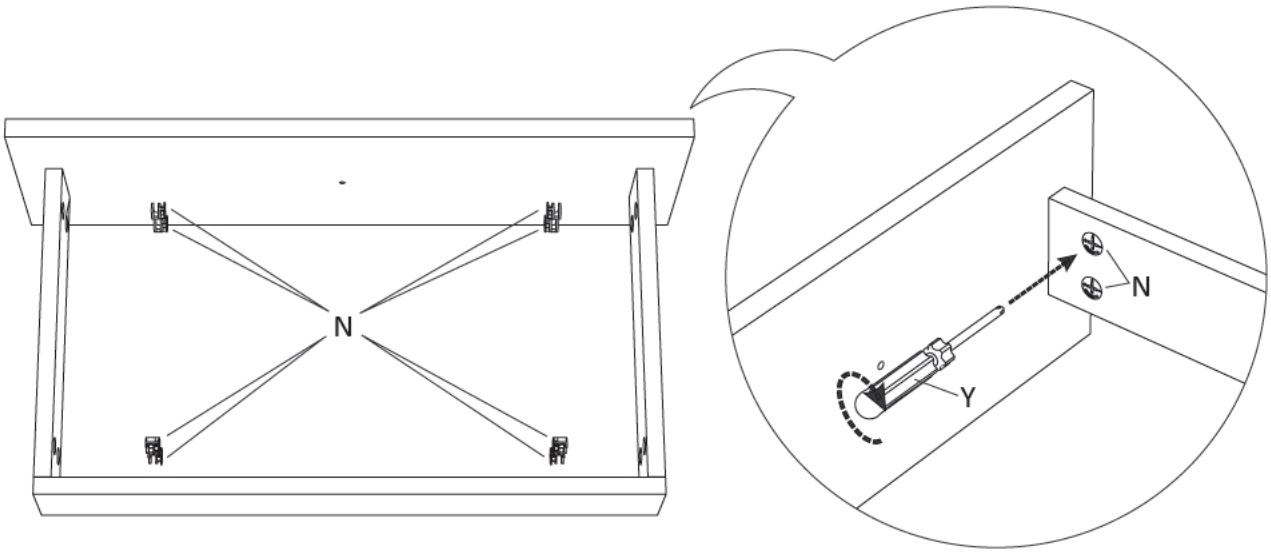
20



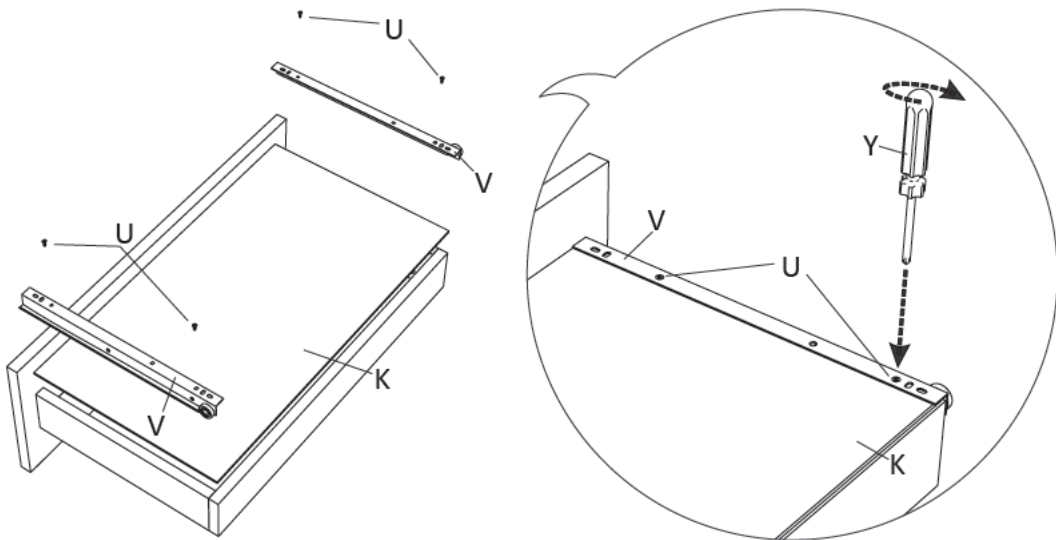
21



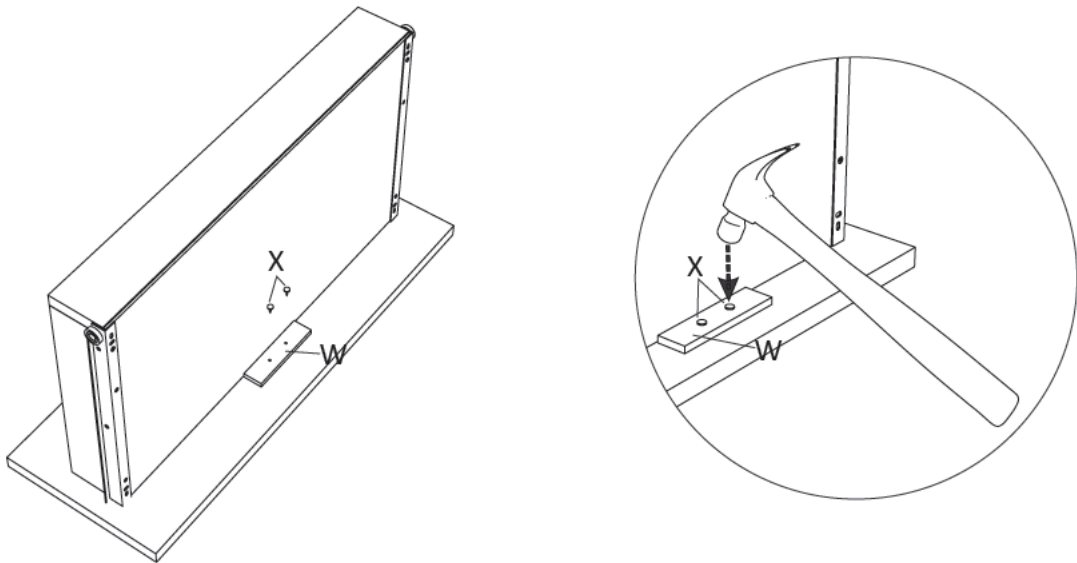
22



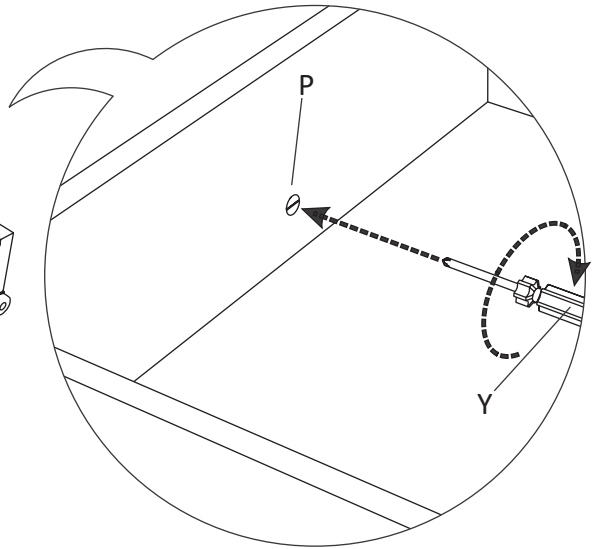
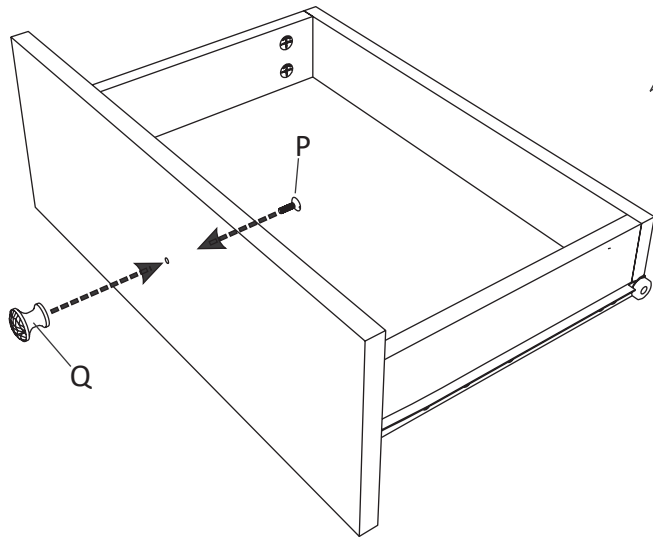
23



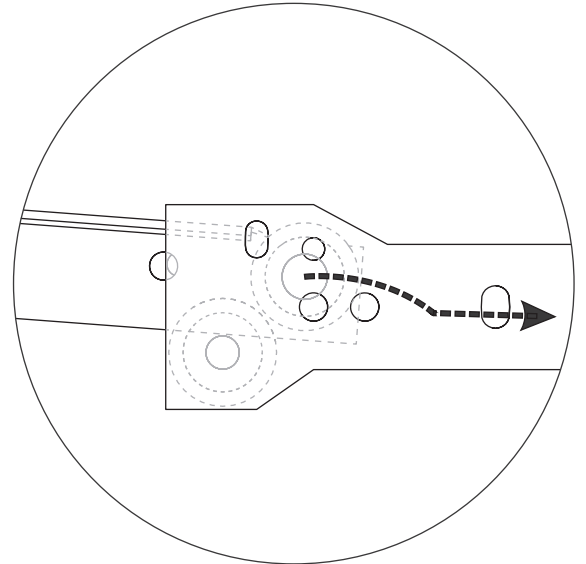
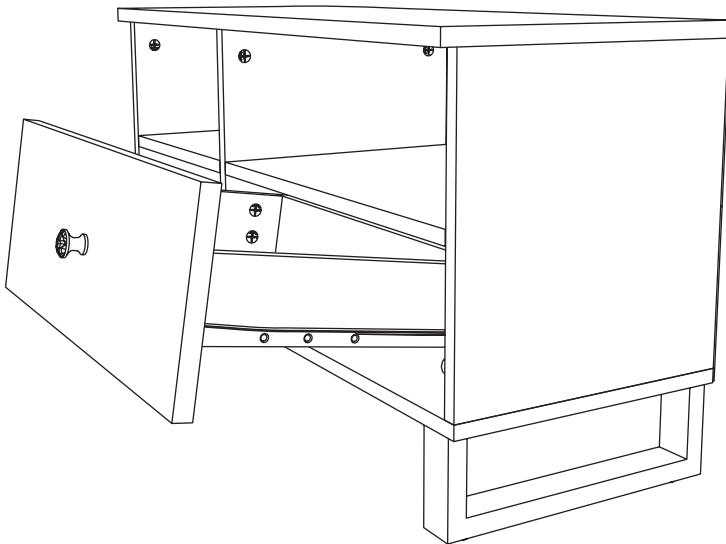
24



25



26



27

