

# NOTICE

- \* Please make sure that you have all parts indicated and they are in good condition before you begin assembly of this item. Refer to part list and hardware list below for guidance.
- \* This item should be assembled on a soft surface to prevent scratching the finish during assembly.
- \* This item may require periodic Tightening.
- \* If you are having difficulty, our friendly Customer Care team is always here to help.

# PREPARATION



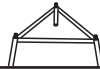
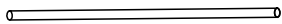



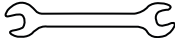
- \* Before beginning assembly of product, make sure all parts are present. Compare parts with part contents list and hardware contents list.
- \* If any part is missing or damaged, do not attempt to assemble the product.
- \* Estimated Assembly Time: 10 minutes.
- \* Tools Required for Assembly (Included) : Wrench. L Key

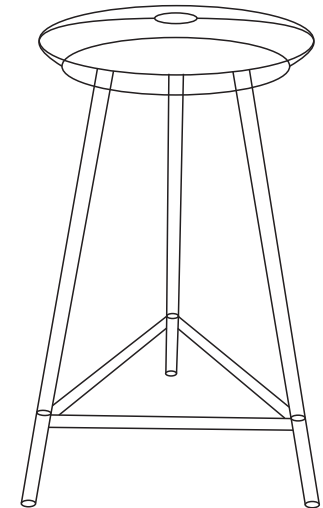
# CARE AND MAINTENANCE

**INDOOR METAL/ALUMINUM FURNITURE:** Wipe spills immediately. Maintain with regular dusting and clean with mild soap and water, dry thoroughly and do not use a brass cleaner. Adhesive felt pads should always be used/applied in order to prevent damage to the furniture or surfaces on which the furniture is placed.

Product Dimensions: 13.5" Wx13.5" Dx24"H

## Part List and Hardware List

PIECE	DESCRIPTION	PICTURE	QUANTITY
A	Top Part		1x1
B	Top Ring		1x1
C	Base Legs		1x1
D	Rod		1x3
E	L Nut		1x4
F	L Key		1x1
G	Nut - M10 (17X8		1x1
H	Hardware (Wrench)		1x1



## WARNING

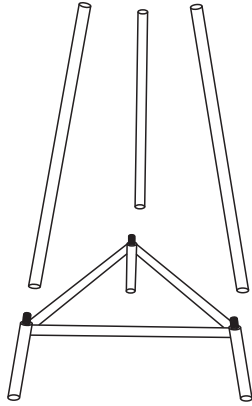
**Weight Capacity : 275 LBS**

**Warning : Do not stand on Table**

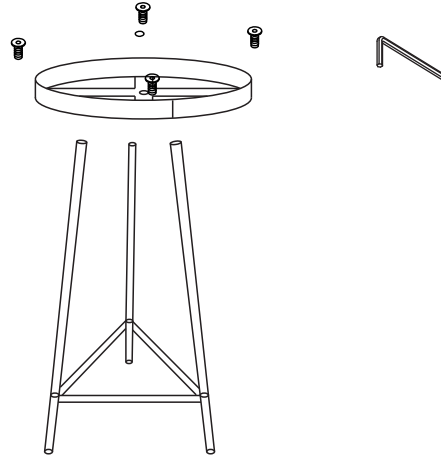
**Warning : Do not over torque bolts.**

# PREPARATION

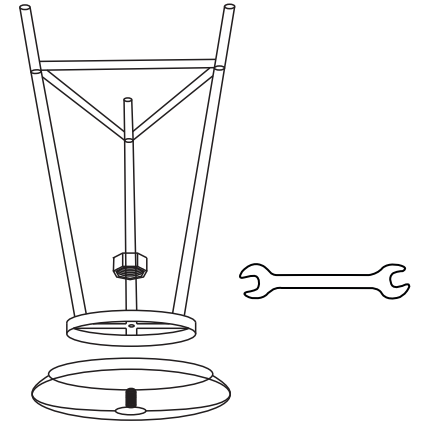
- \* Before beginning assembly of product, make sure all parts are present. Compare parts with part contents list and hardware contents list.
- \* If any part is missing or damaged, do not attempt to assemble the product.
- \* Estimated Assembly Time: 10 minutes.
- \* Tools Required for Assembly (Included) : Wrench. L Key



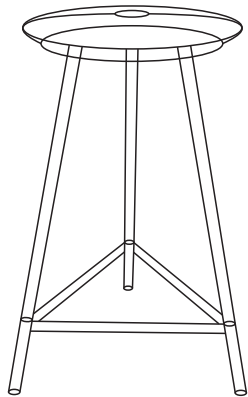
**Step1:** Part (D)Rod tight on Part ( C ) Base Legs)



**Step2:** Part (B)Top ring on Part ( C ) Rod with help of Part(E) and (F)



**Step3:** Put Top Part (A) on assemble stand ) and tight nut Part (G) with help of wrench part (H)



**Step4:** Final Product