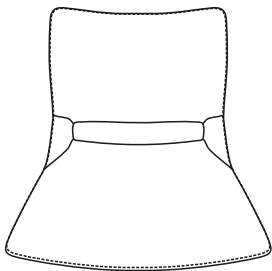
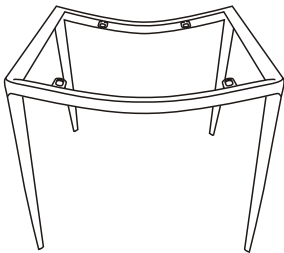











# DINING CHAIR

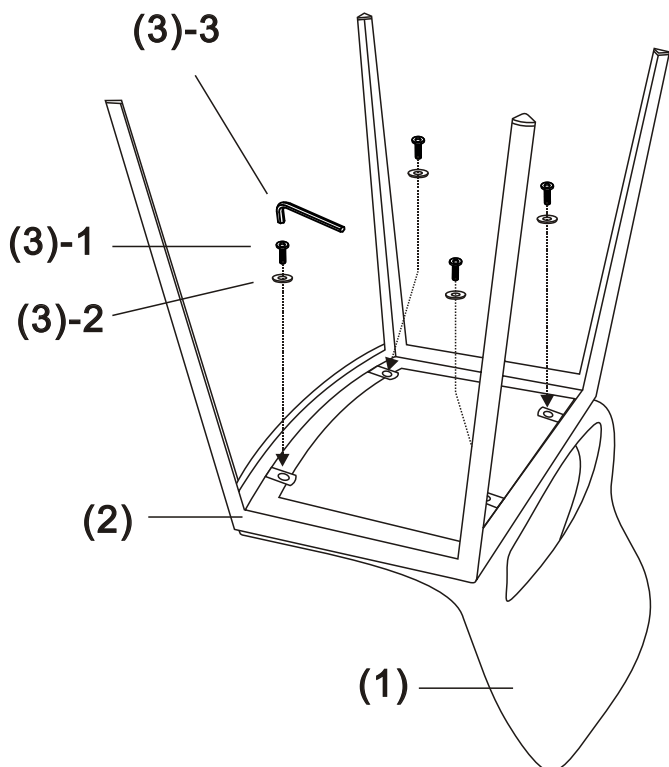
(WHITE&STAINLESS)

## PART LIST/Liste des pièces

(1)	(2)	(3)												
 <p>X1</p>	 <p>X1</p>	<table><tr><td>1.</td><td></td><td>X4</td><td>M4*20mm</td></tr><tr><td>2.</td><td></td><td>X4</td><td></td></tr><tr><td>3.</td><td></td><td>X4</td><td></td></tr></table>	1.		X4	M4*20mm	2.		X4		3.		X4	
1.		X4	M4*20mm											
2.		X4												
3.		X4												

## INSTRUCTION

**A**



**B**

