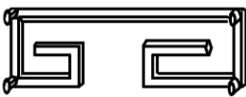
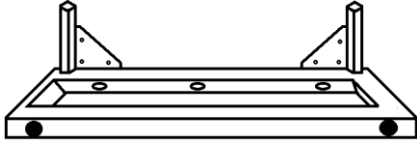

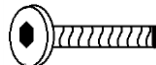



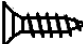
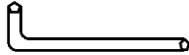
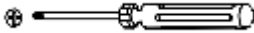


## ASSEMBLY INSTRUCTION

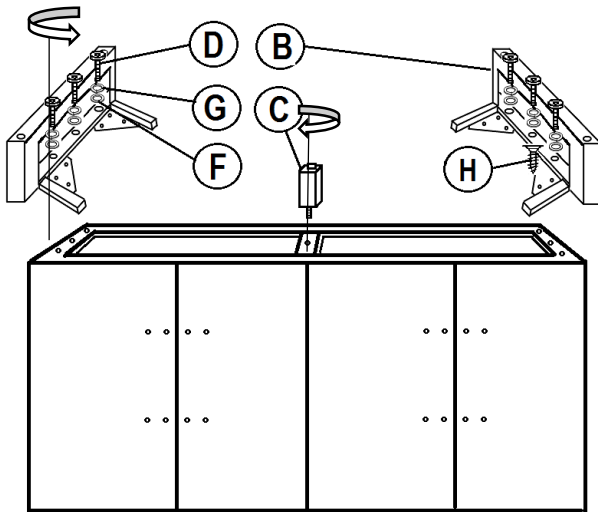
Description: Cabinet

Style: CVFZR4606

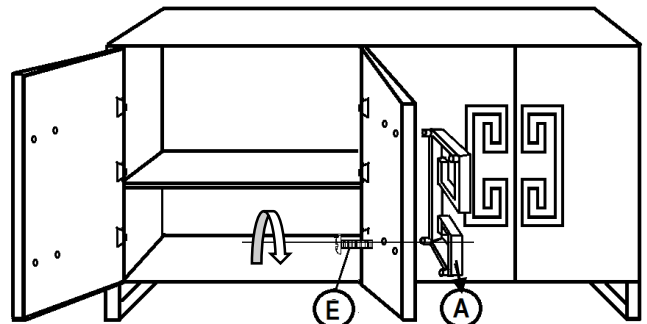
### Hardware List:

 <b>A. HANDLES: 2PCS</b>	 <b>B. METAL LEGS: 2 PCS</b>	 <b>C. WOOD LEG: 1PC</b>	 <b>D. BOLTS 8x45: 6PCS</b>	 <b>E. BOLTS 6x30: 16 PCS</b>
 <b>F. WASHERS 8x20: 6 PCS</b>	 <b>G. WARPED WASHERS: 6PCS</b>	 <b>H. SCREWS 4x20: 12PCS</b>	 <b>I. HEX KEY: 1PC</b>	 <b>TOOL REQUIRED: NOT SUPPLIED</b>

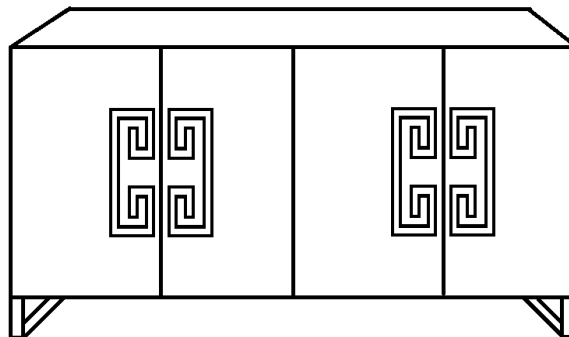
### ASSEMBLY INSTRUCTION



**STEP 1**



**STEP 2**



**STEP 3**