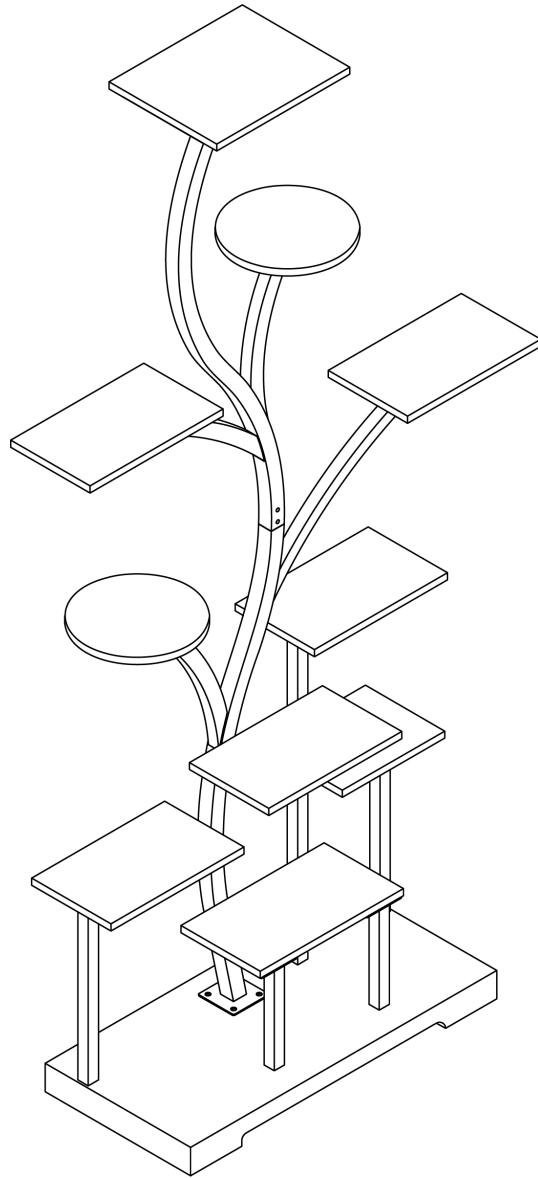


# Plant Stand



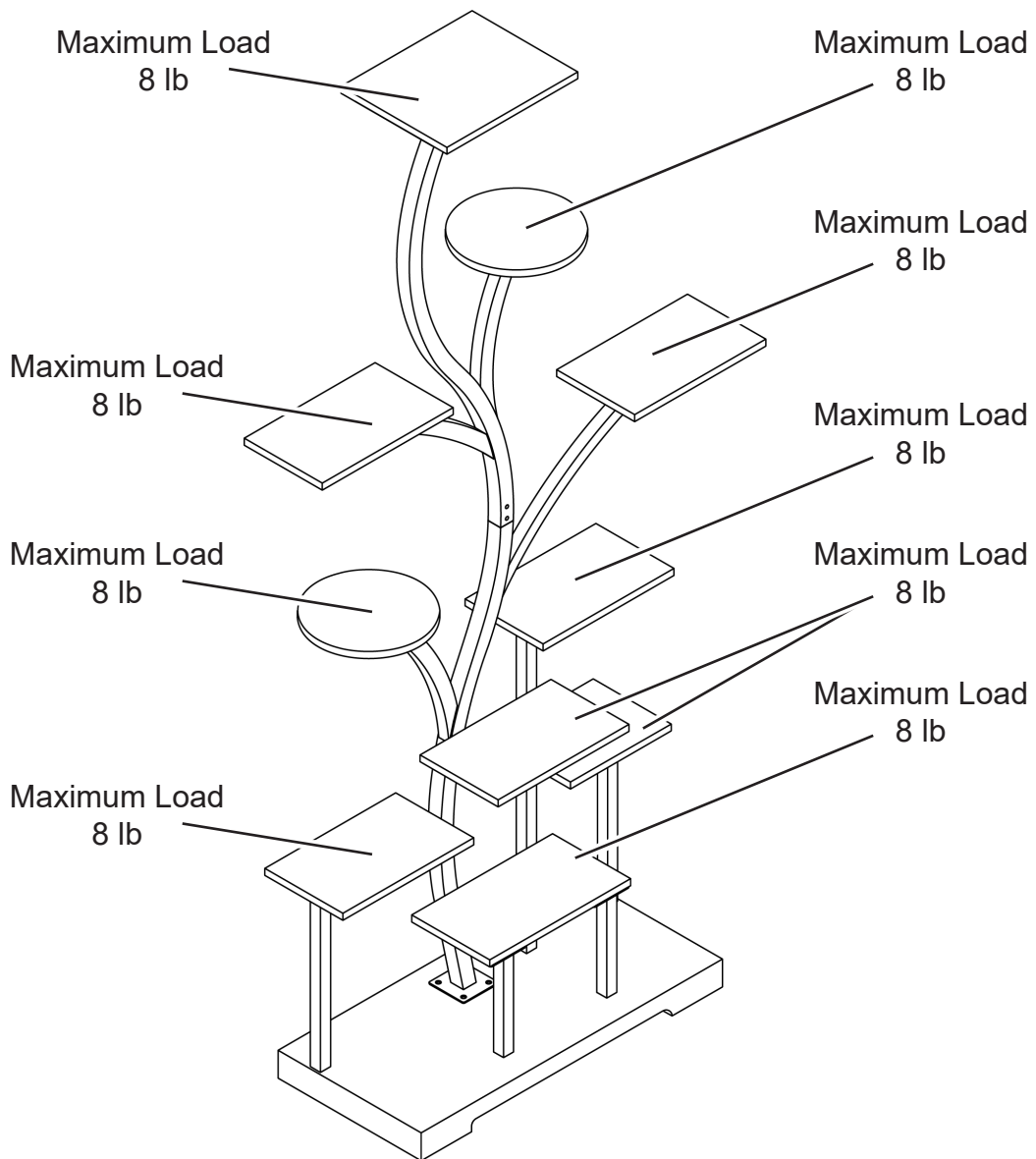


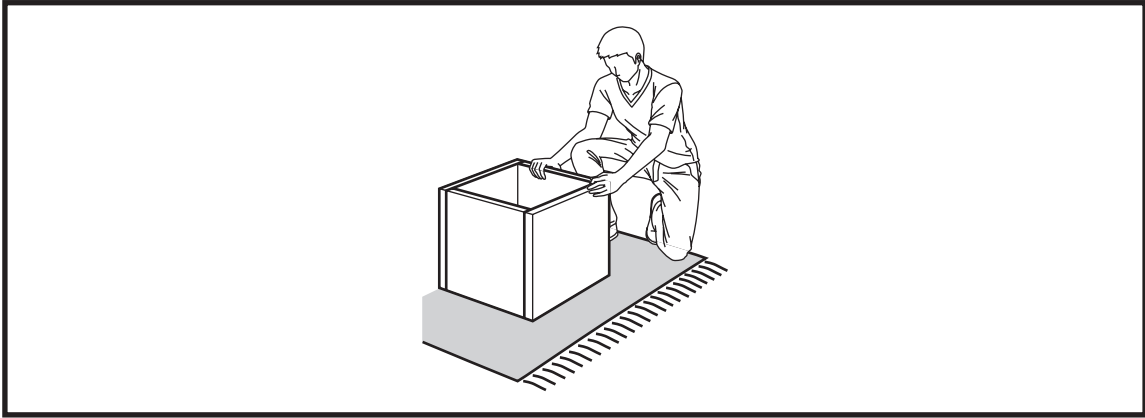
Estimated time for assembly:

**70 mins**



Weight limitations are as follows:

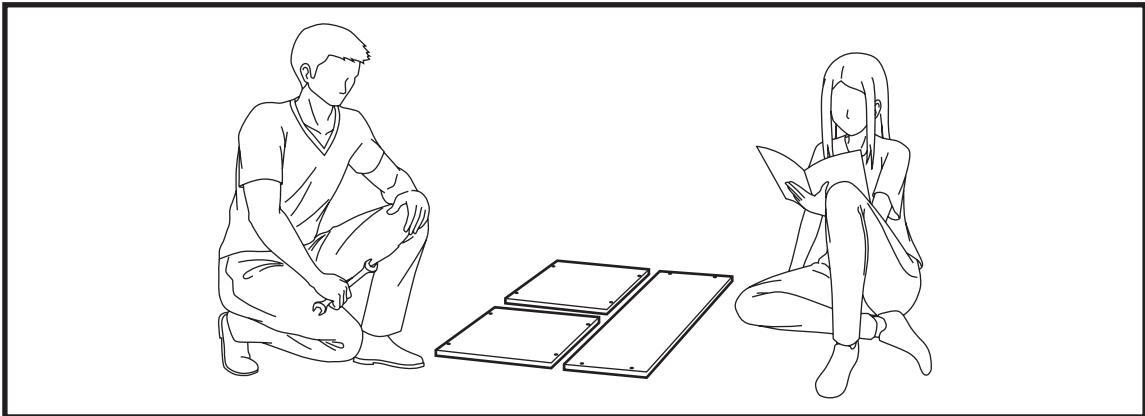




Assemble the furniture on an empty carton, carpet, or rug to prevent scratches or damage.

For safety, please keep pets and children away from the assembly area.

Ensure the product is fully assembled before use. If you are missing any hardware or products, do not use it until you have restored the missing parts.



This furniture requires 2 people for assembly.

Read this instruction manual prior to assembly to familiarize yourself with the various steps.

Lay out all components and hardware separately on a flat surface and make sure that no parts are missing or damaged before assembly. Do not destroy or discard any packaging until you are certain that you have all the necessary parts for assembly.

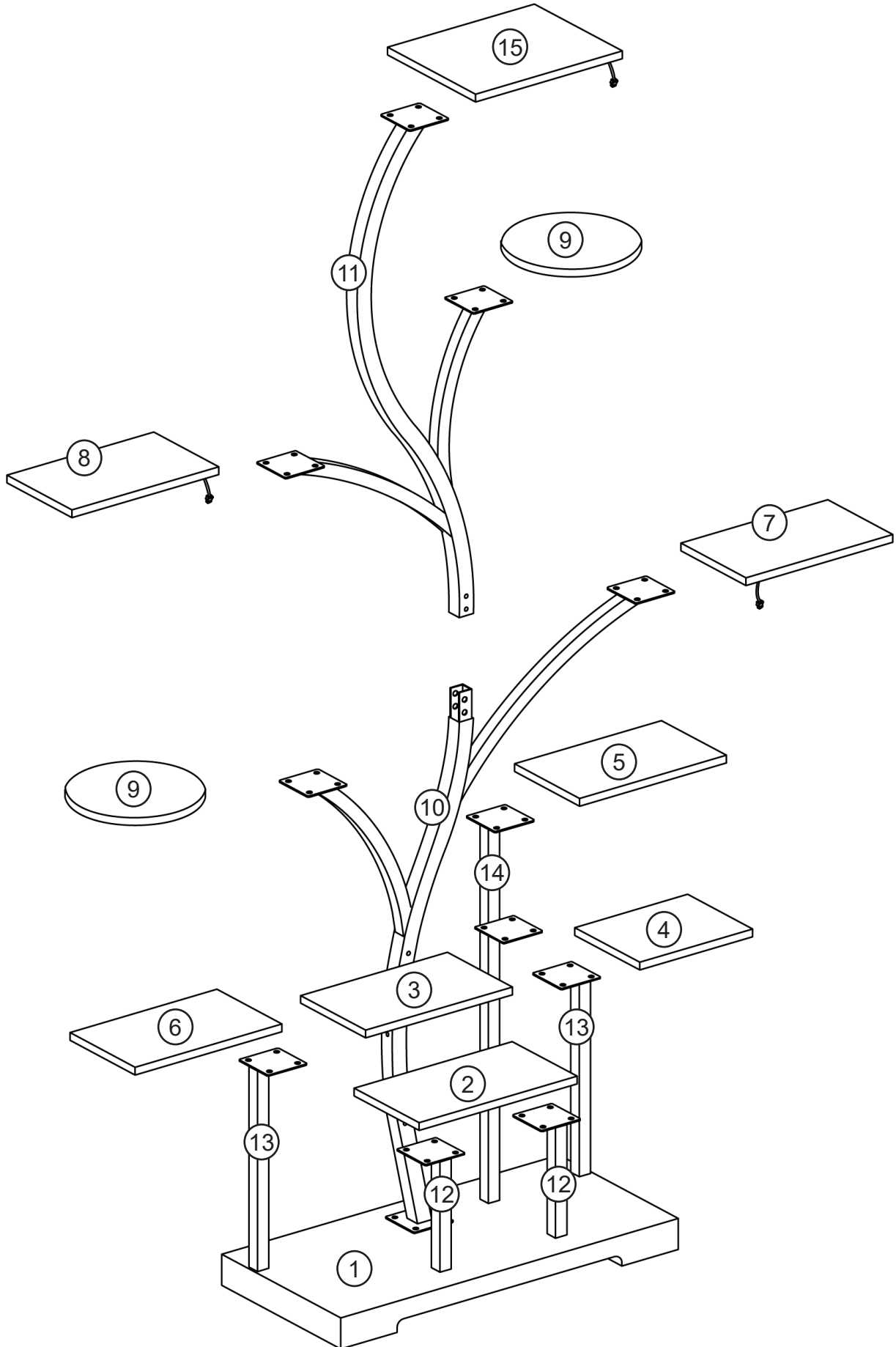
Hand tight all hardware and careful not to over tighten to avoid damaging the product.

## **CAUTION**

There are small components used in the construction of this product. Loose items should be kept away from pets and children to avoid a choking hazard.

Keep all plastic bags and packaging film away from pets and children to avoid suffocation.

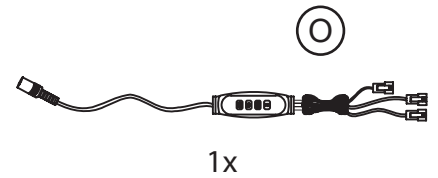
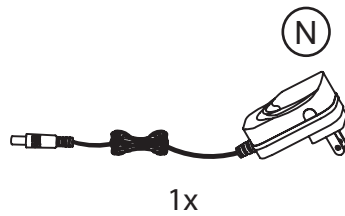
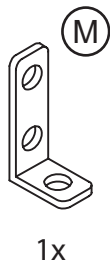
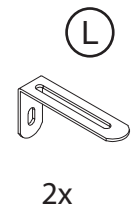
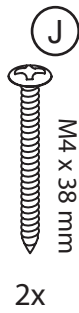
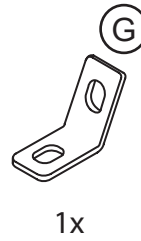
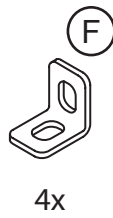
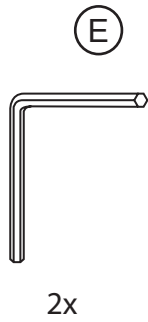
# PACKAGE CONTENTS



# PACKAGE CONTENTS

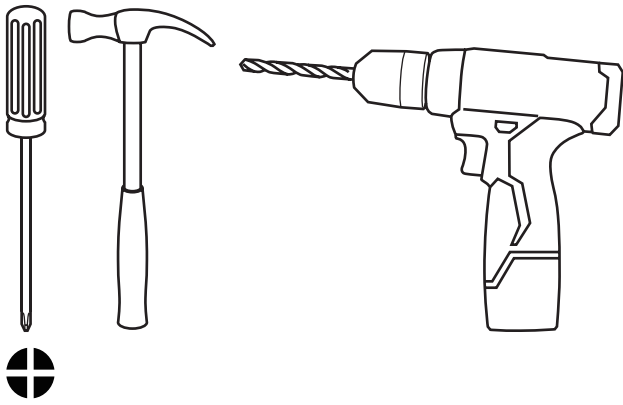
| CODE | DESCRIPTION                | QTY |
|------|----------------------------|-----|
| 1    | Base                       | 1   |
| 2    | Shelf Panel                | 1   |
| 3    | Shelf Panel                | 1   |
| 4    | Shelf Panel                | 1   |
| 5    | Shelf Panel                | 1   |
| 6    | Shelf Panel                | 1   |
| 7    | Shelf Panel with LED Light | 1   |
| 8    | Shelf Panel with LED Light | 1   |
| 9    | Round Shelf Panel          | 2   |
| 10   | Lower Post                 | 1   |
| 11   | Upper Post                 | 1   |
| 12   | Short Post                 | 2   |
| 13   | Medium Post                | 2   |
| 14   | Long Post                  | 1   |
| 15   | Shelf Panel with LED Light | 1   |

# PACKAGE CONTENTS



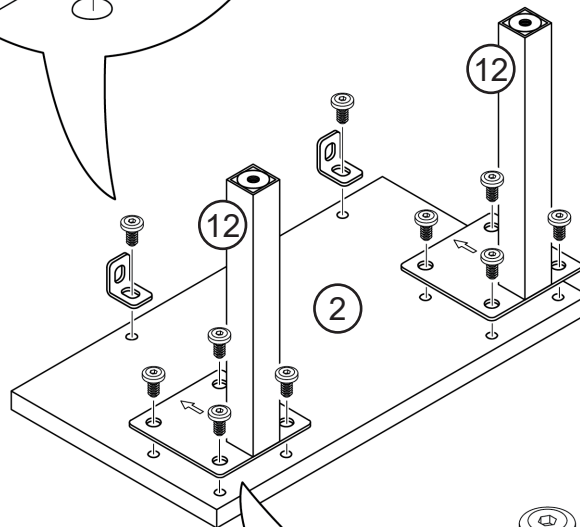
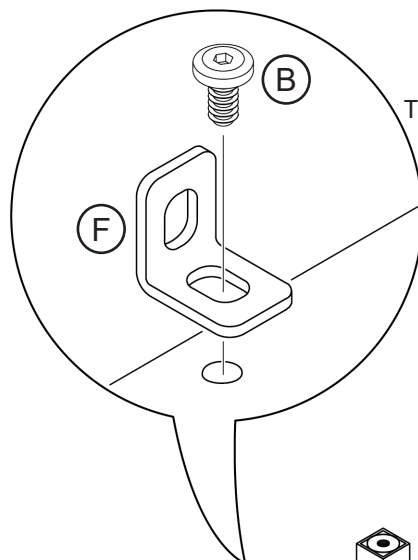
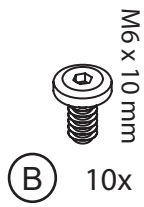
Install all hardware perpendicular to the opening.

Required tools for assembly (Not included)

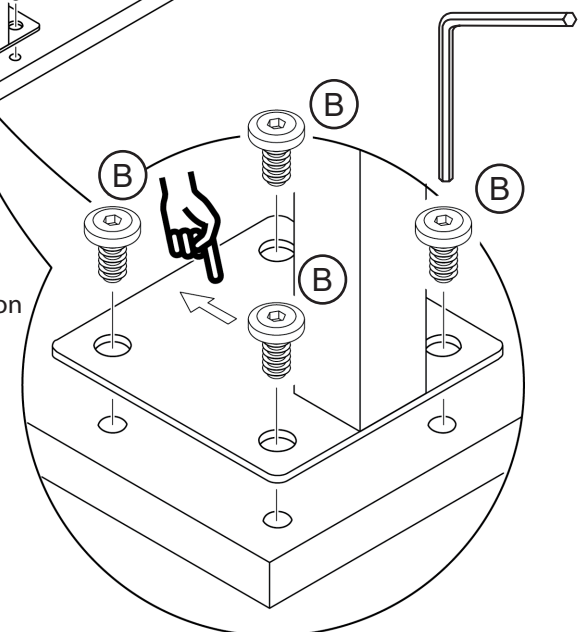


1

Attach short posts (12) and L-connection plate to the shelf panel (2).

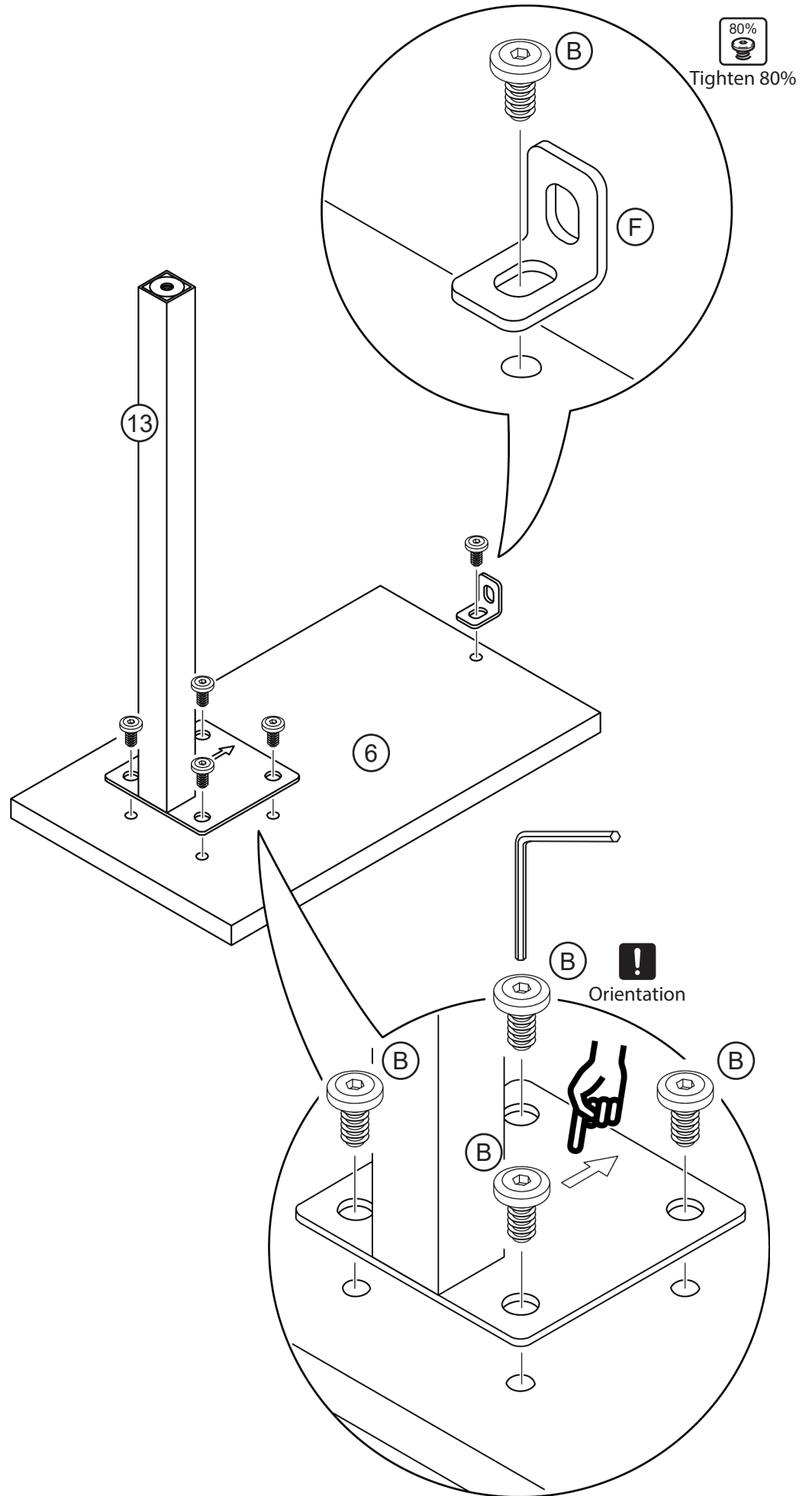
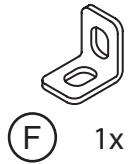
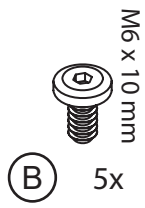


!  
Orientation



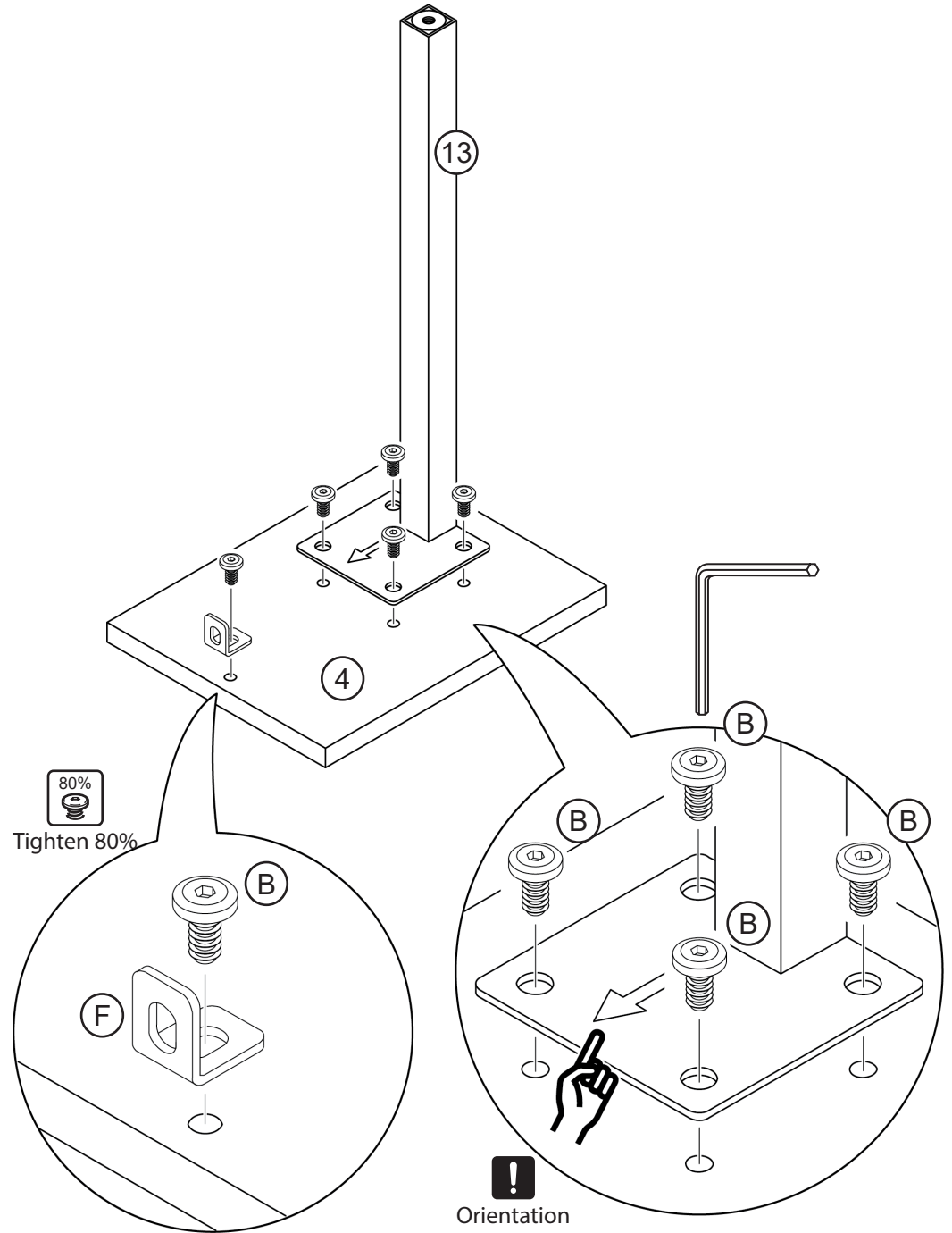
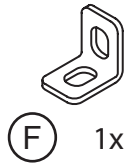
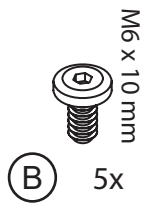
# 2

Attach medium post (13) and L-connection plate to the shelf panel (6).



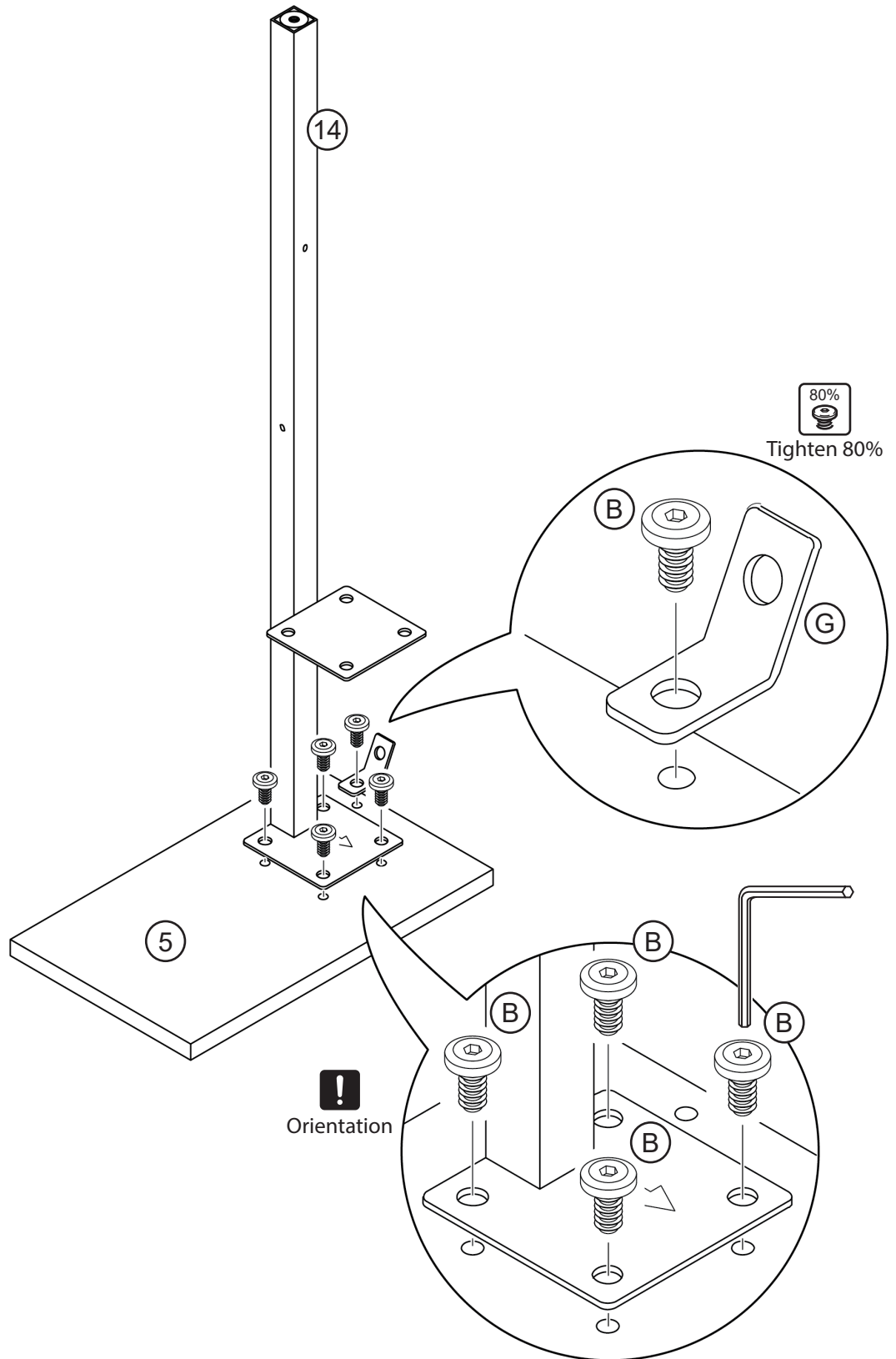
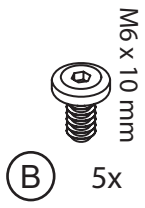
# 3

Attach medium post (13) and L-connection plate to the shelf panel (4).



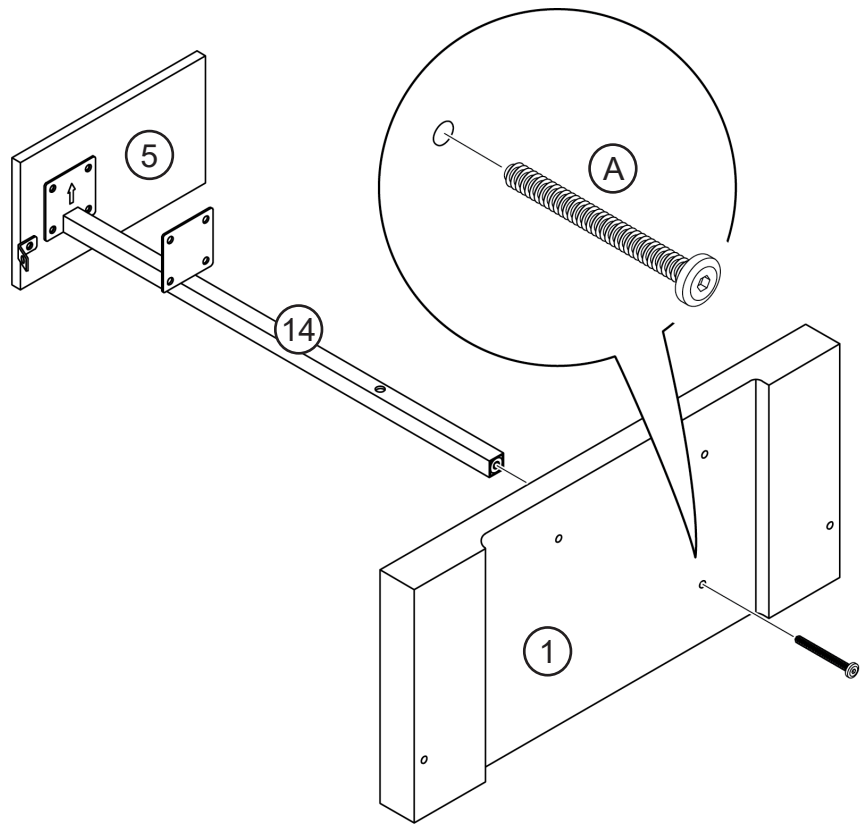
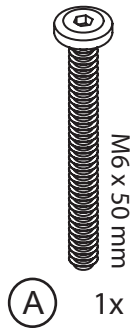
# 4

Attach long post (14) and connection plate to the shelf panel (5).



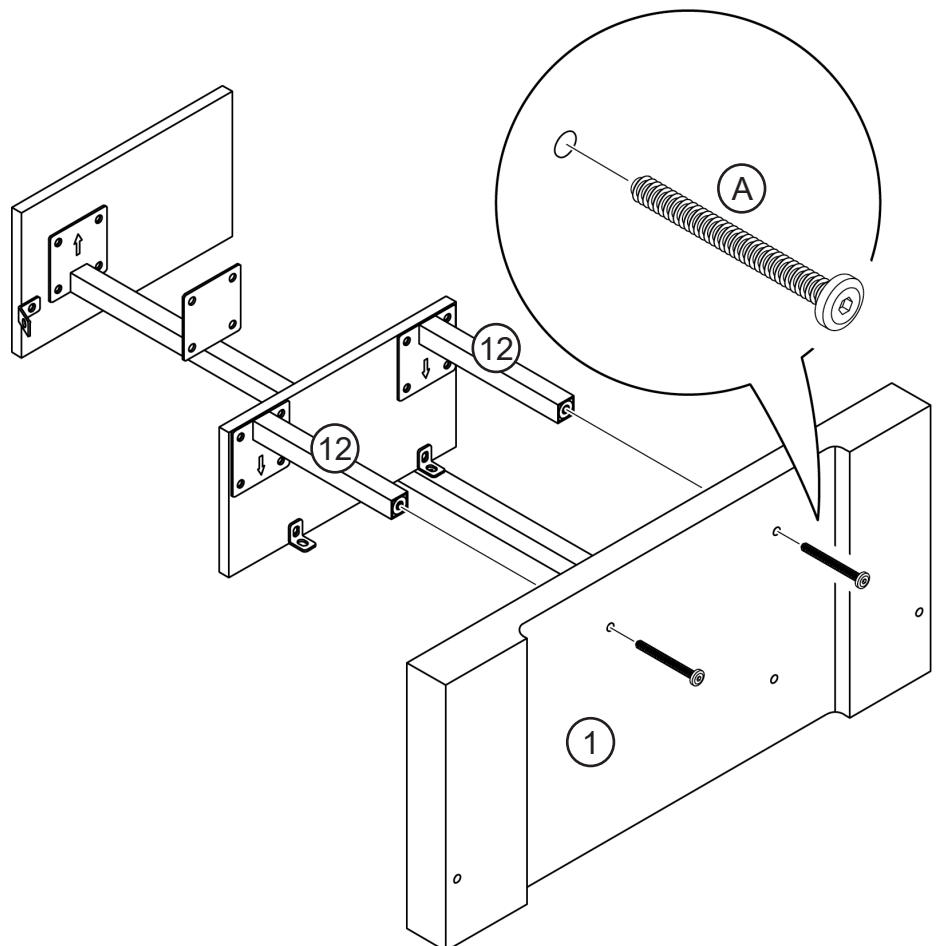
# 5

Assemble the long post (14) to the base (1).



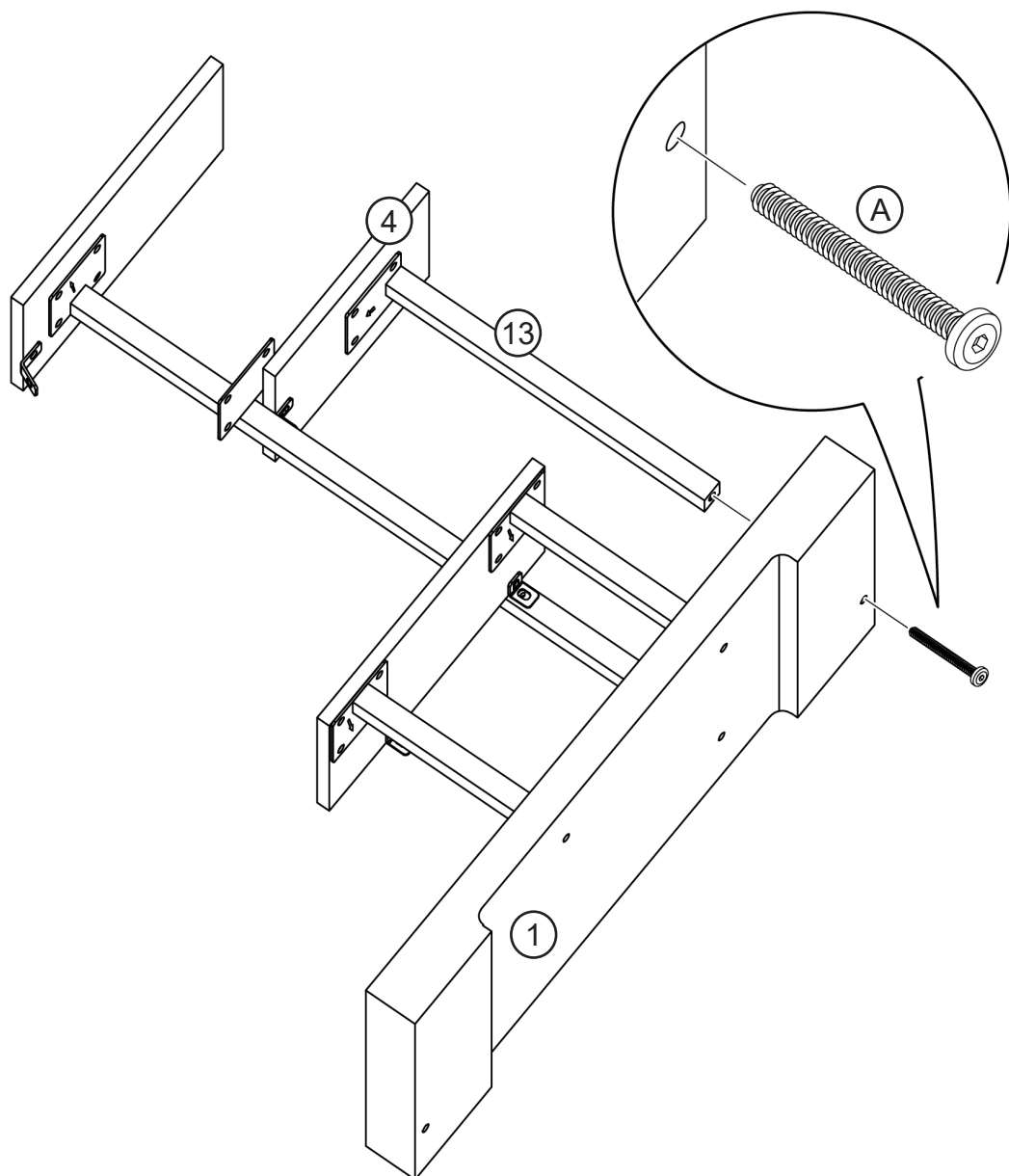
# 6

Assemble the two short posts (12) to the base (1).



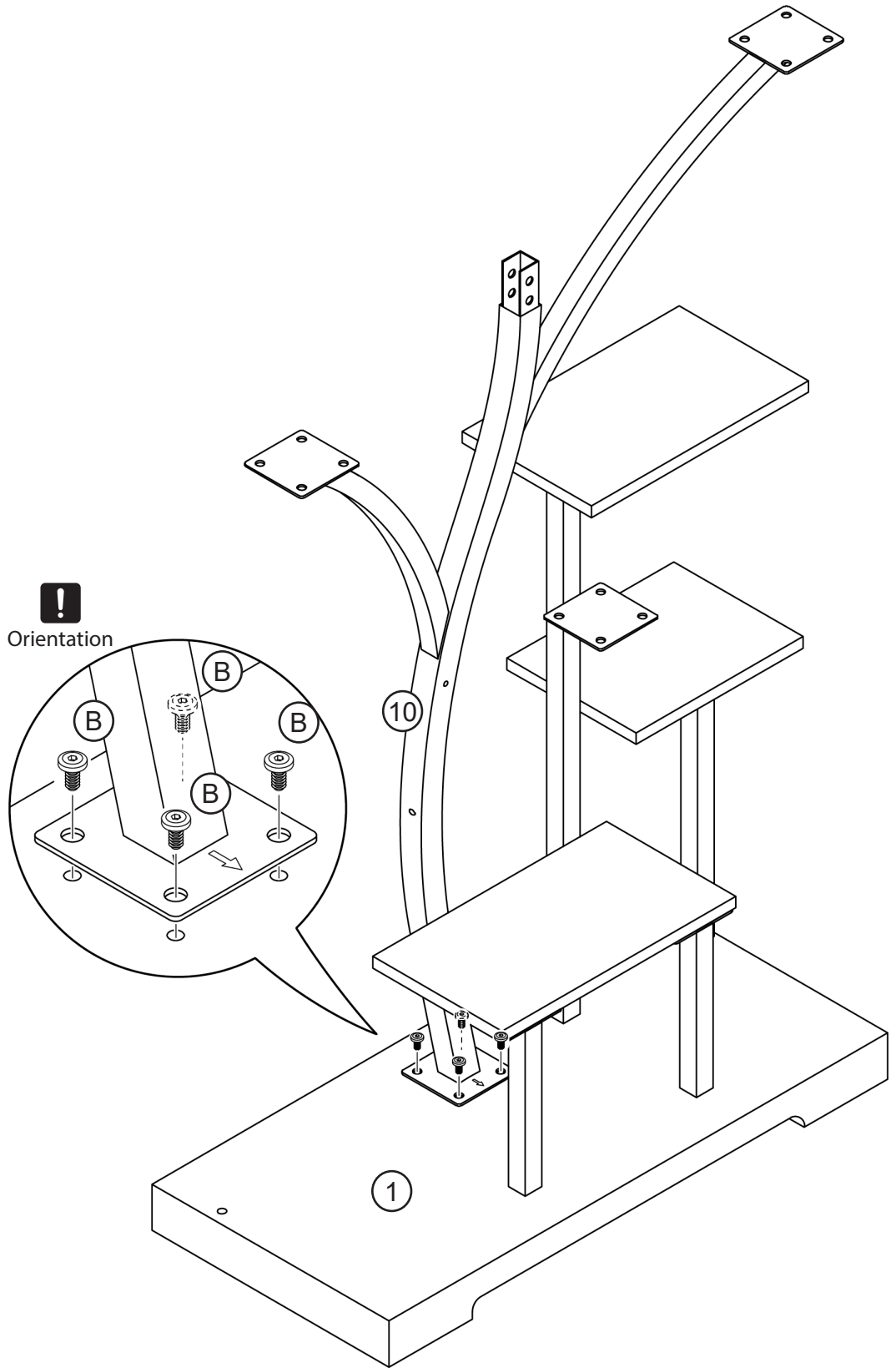
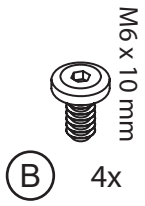
# 7

Assemble the medium post (13) with shelf panel (4) to the base (1).



# 8

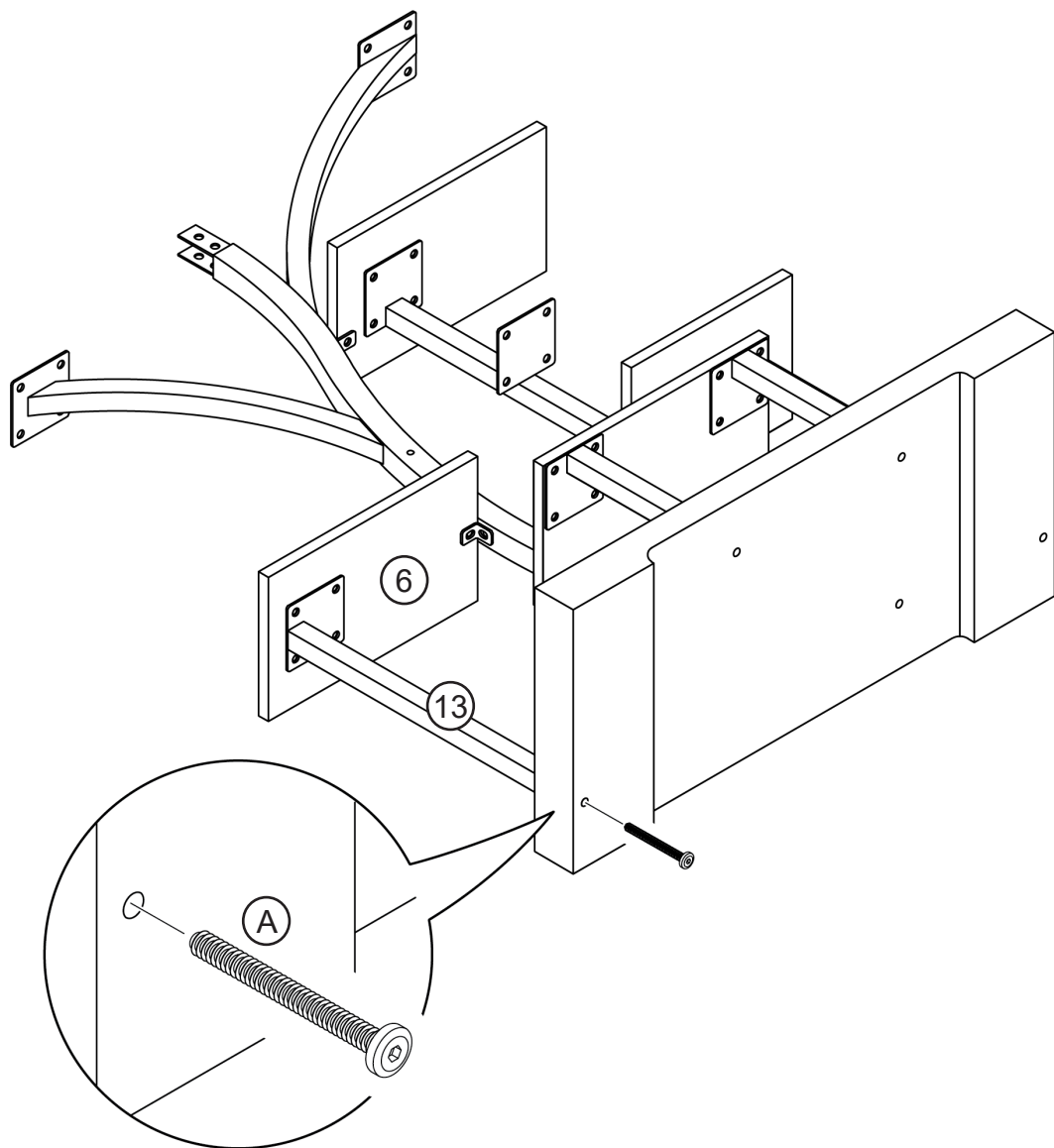
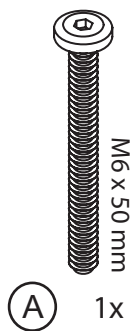
Assemble the lower post (10) onto the base (1).



**!**  
Orientation

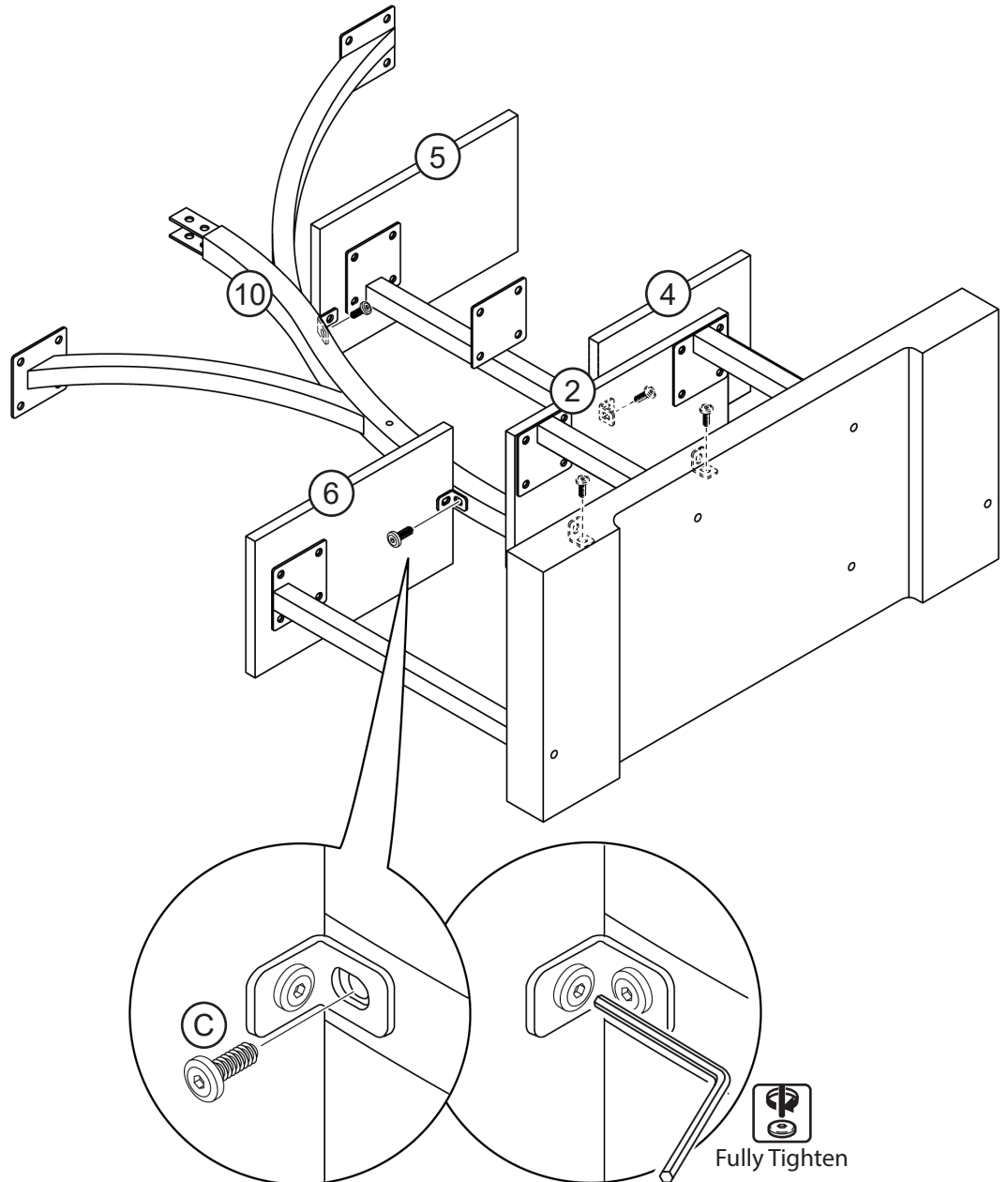
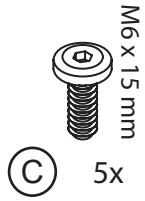
# 9

Assemble medium post (13) with shelf panel (6) to the base.



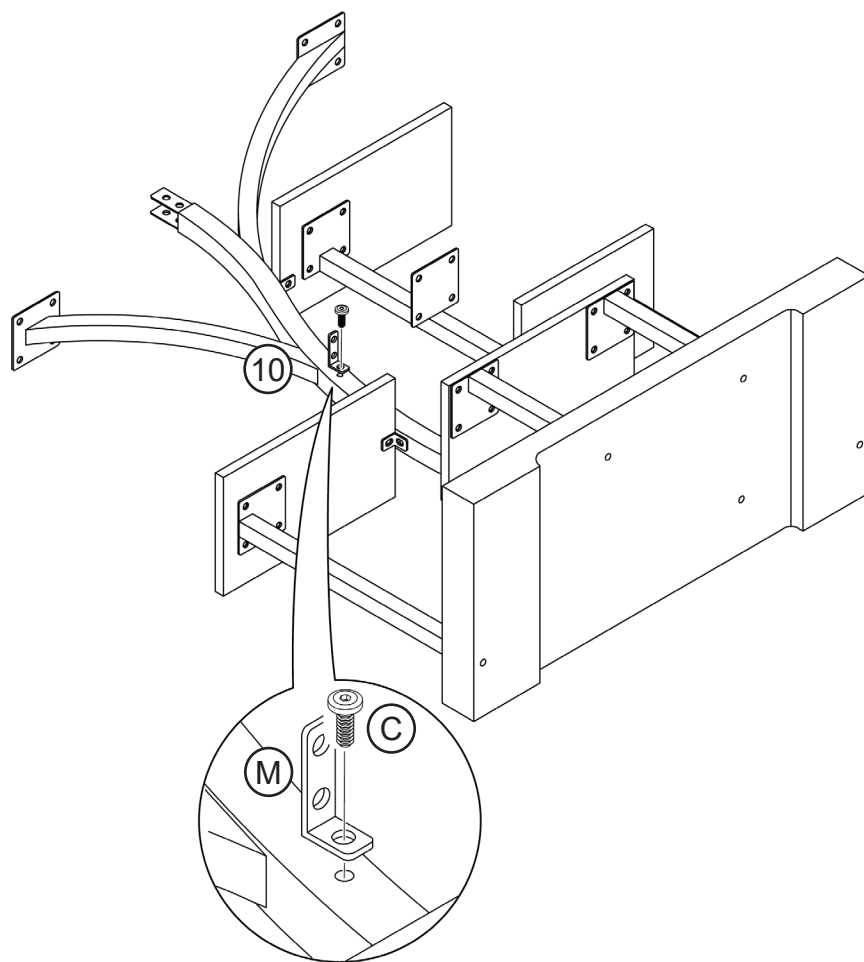
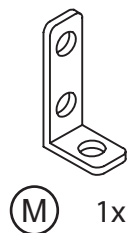
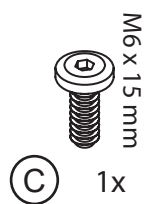
# 10

Secure the connection plates on shelf panels (2, 4, 5, 6) to posts next to them, and then fully tighten all the bolts on the connection plates.



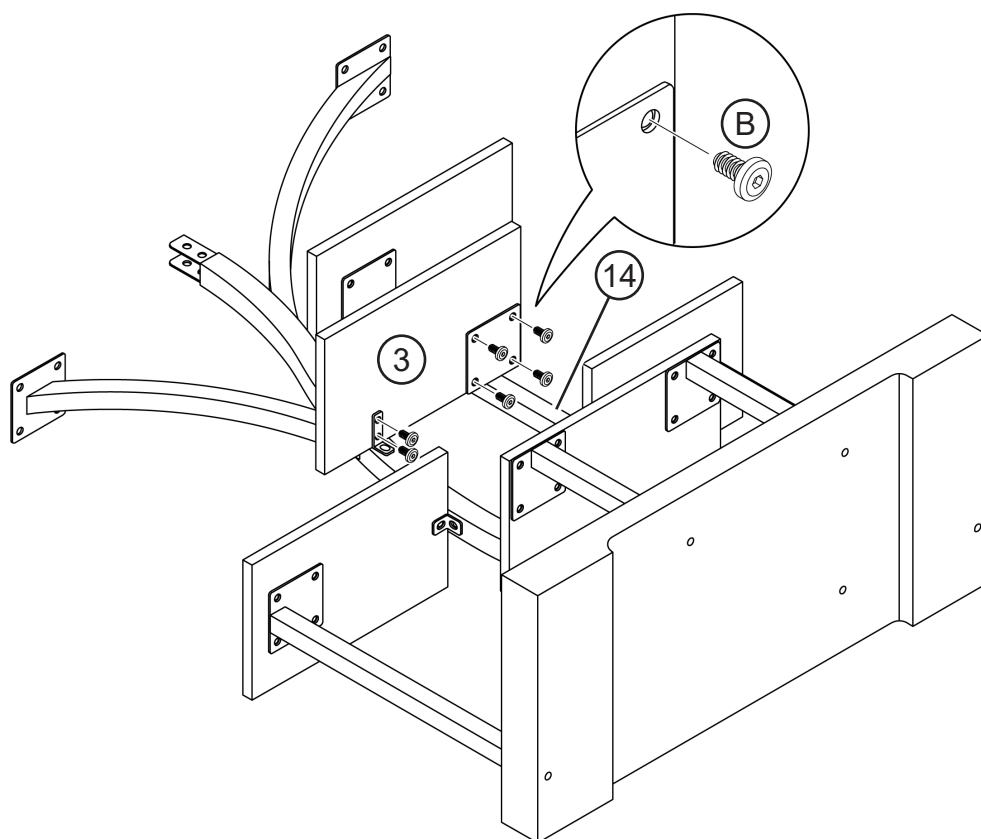
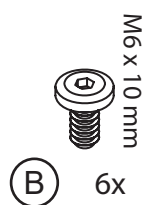
# 11

Attach long connection plate to the lower post (10).



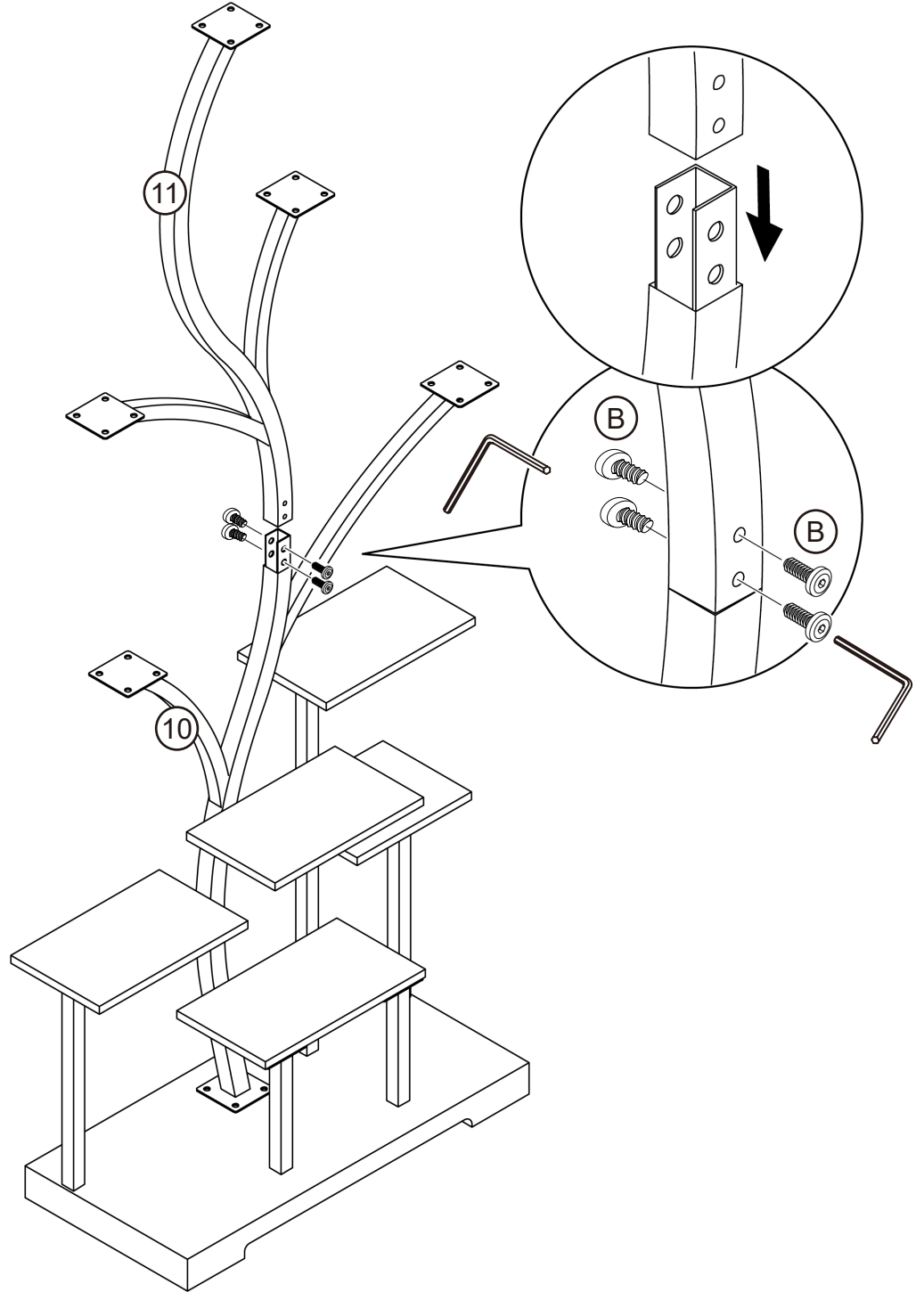
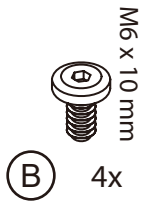
# 12

Assemble shelf panel (3) onto the long post (14) and the long connection plate on the lower post.



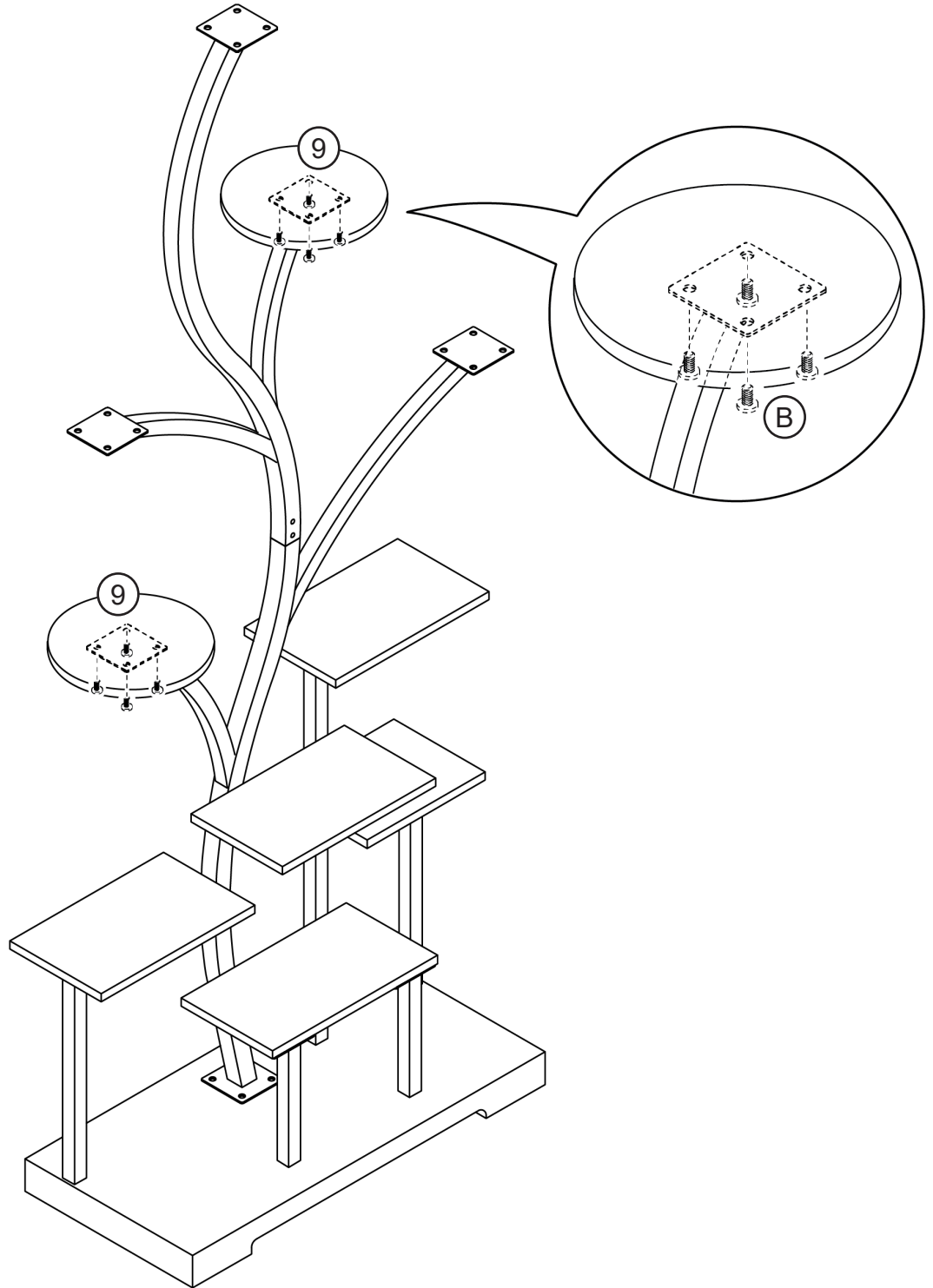
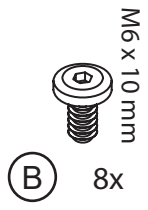
# 13

Assemble the upper post (11) onto the lower post (10).



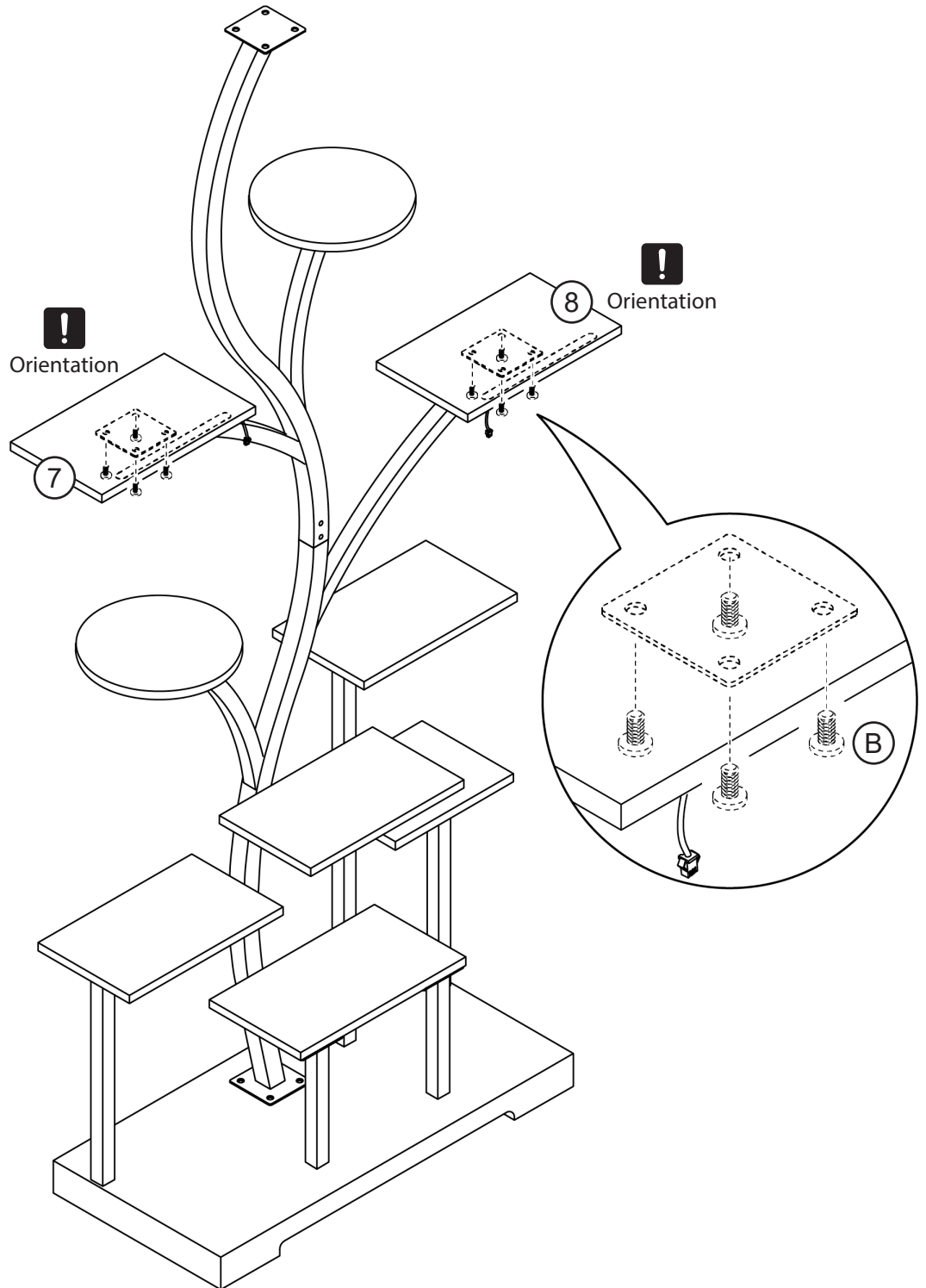
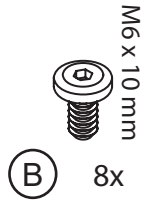
# 14

Attach round shelf panels (9) to the stand.



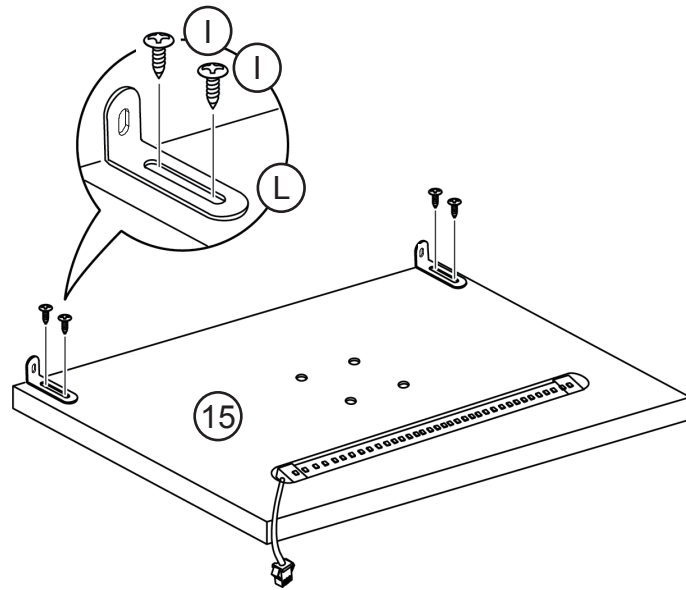
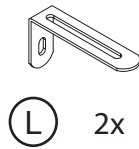
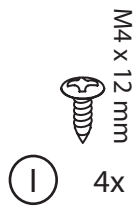
# 15

Attach shelf panels with LED light (7, 8) to the stand.



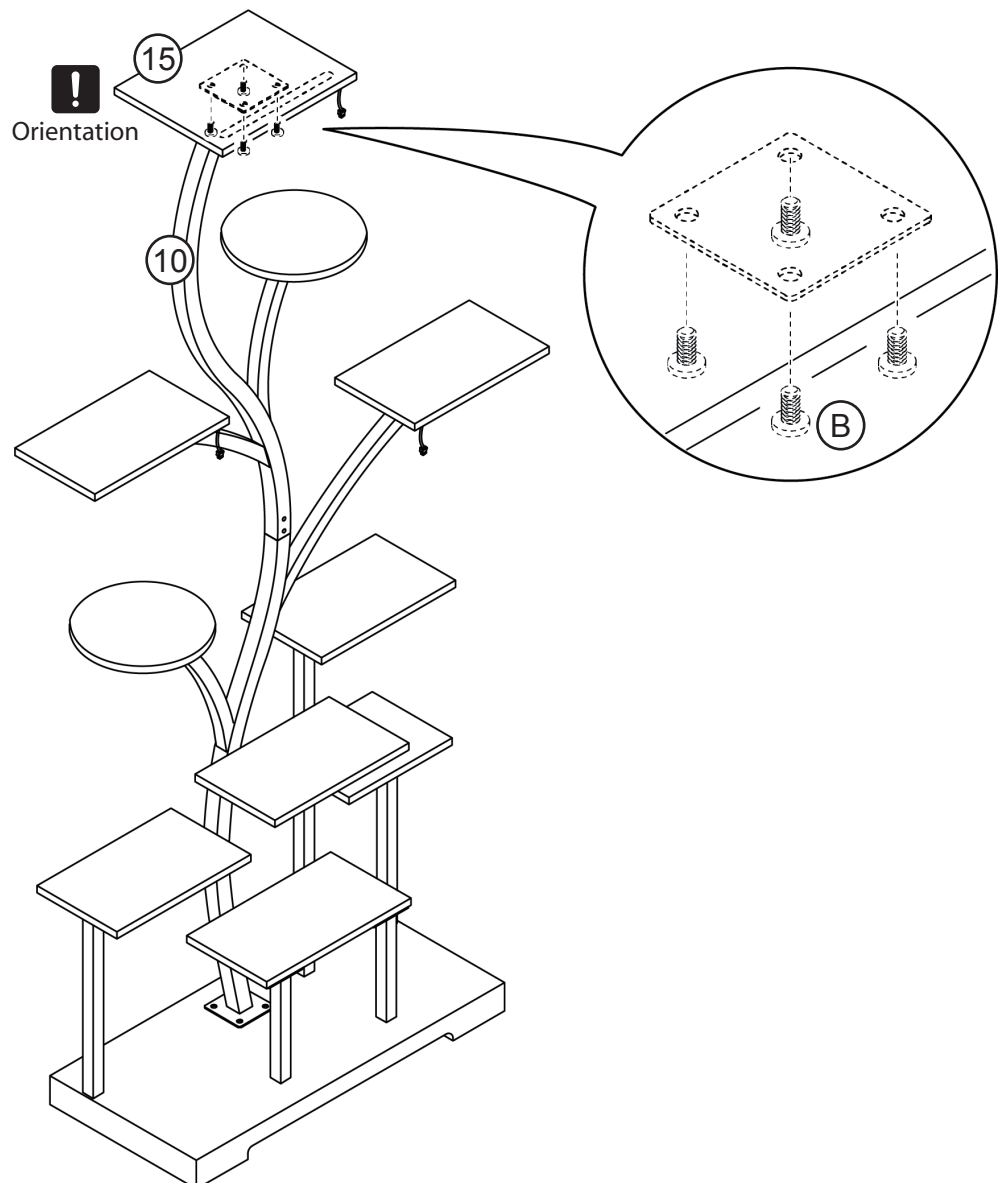
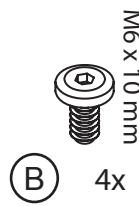
# 16

Attach anti-tipping plates to the shelf panel (15).



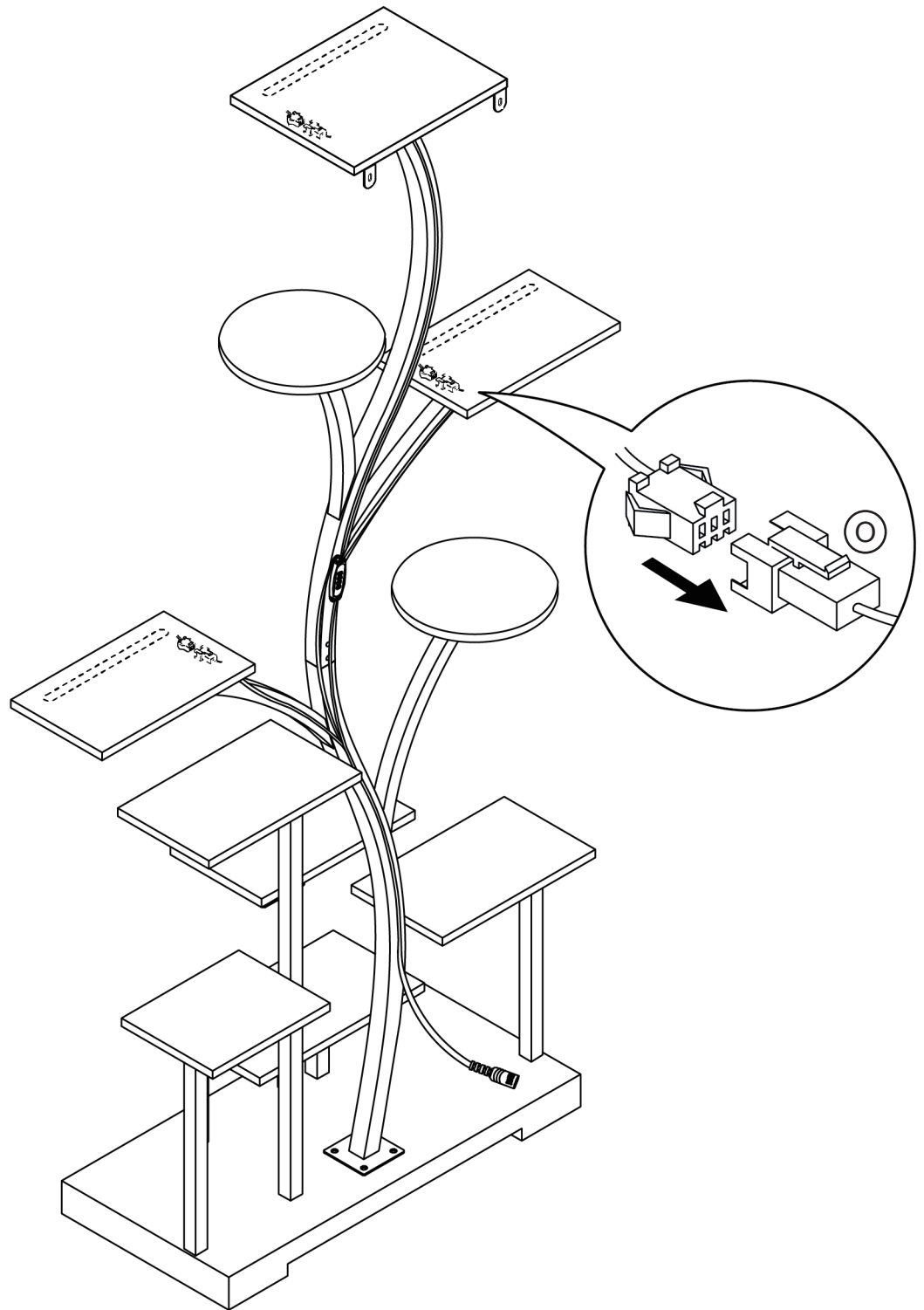
# 17

Assemble the shelf panel (15) to the top of the plant stand.



# 18

Connect switch cable to the LED light strips underneath the shelf panels.

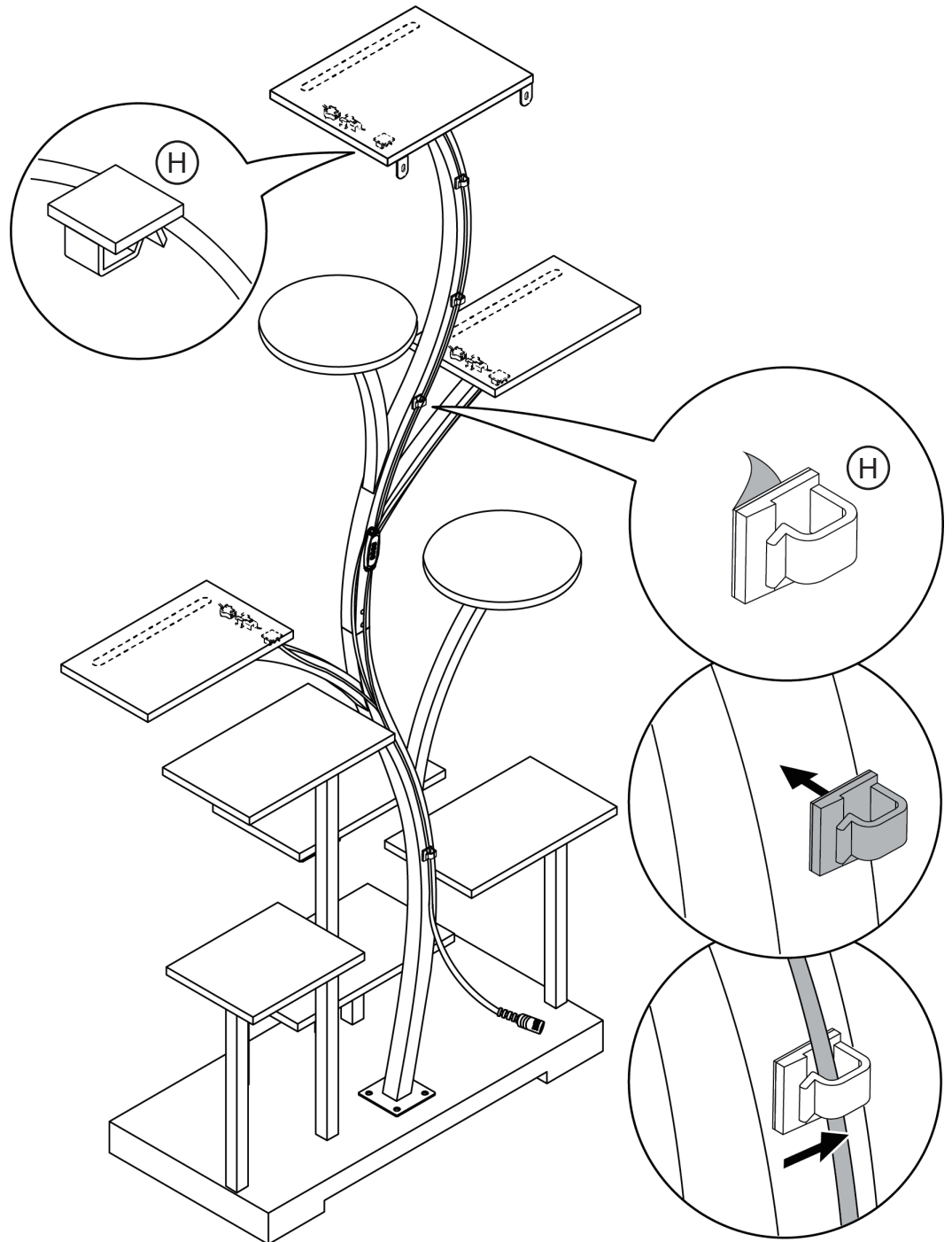


# 19

Arrange the cable underneath the shelf panels and behind the posts using cable management clips.



(H) 12x



# 20

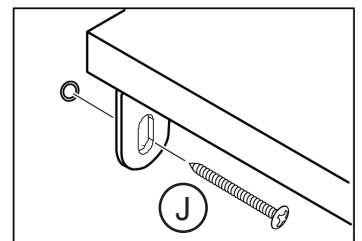
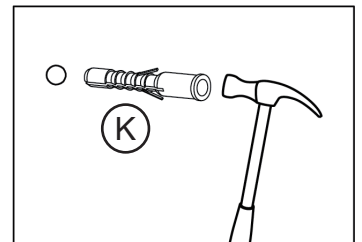
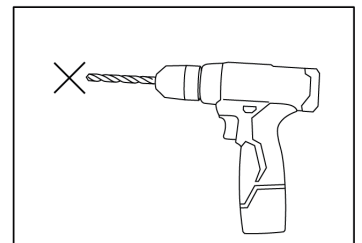
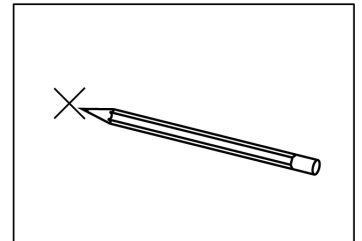
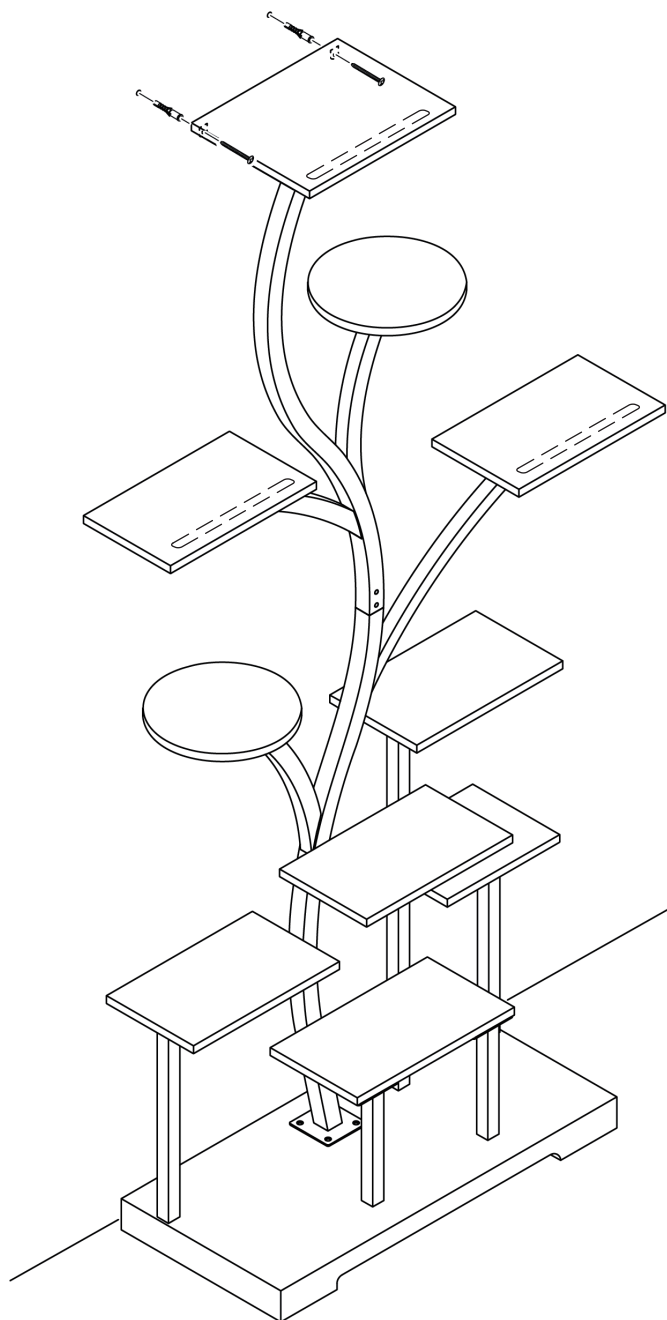
Affix the plant tree to a wall.



(J) 2x



(K) 2x

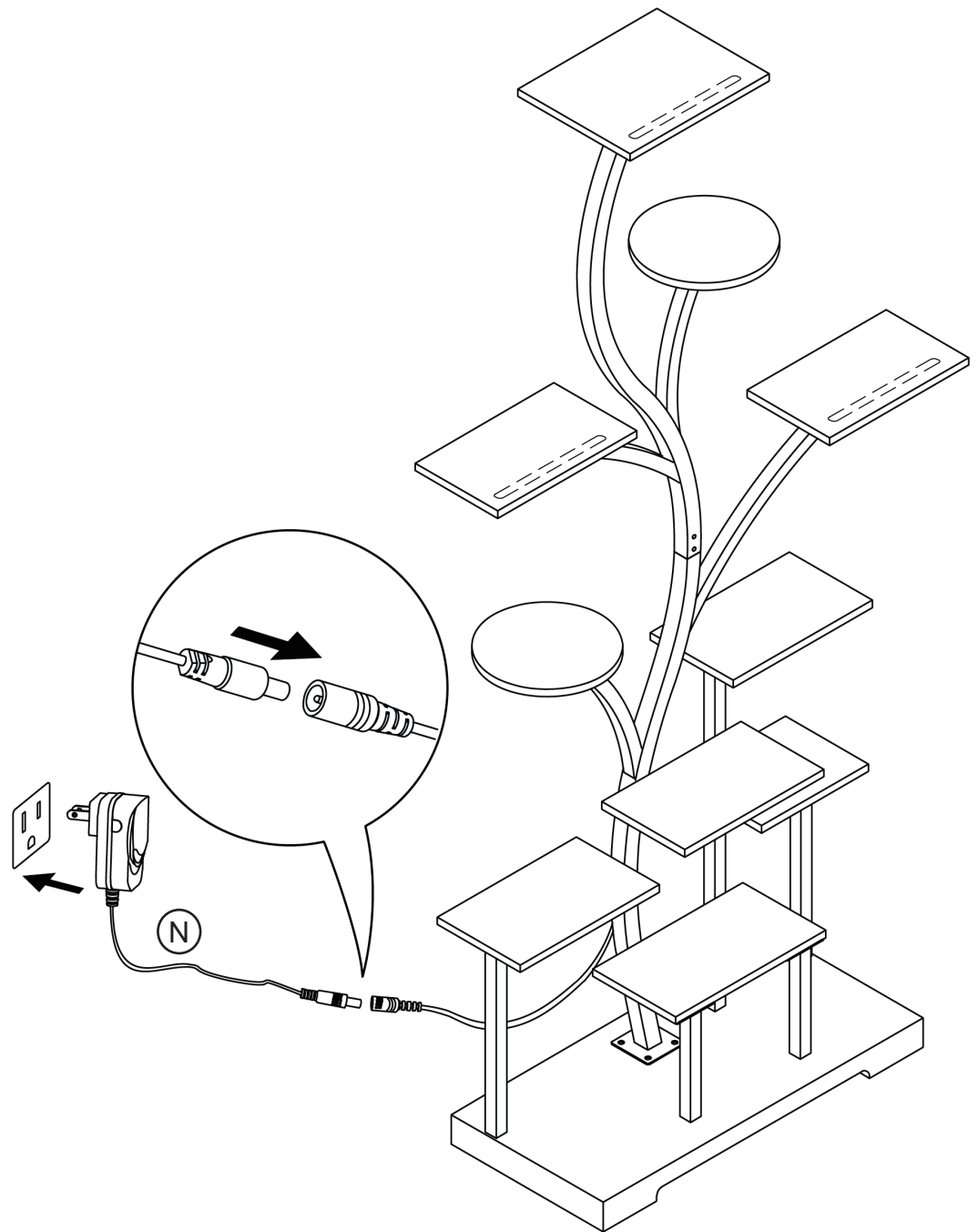


Furniture must permanently fixed to the wall stud with included anti-tipping device to prevent the furniture from tipping over.

- Mark the drill position on the wall with a pencil.
- Drill a small hole on the marked position.
- Insert a wall anchor into the drilled hole.
- Fixed the anti-tipping strap to the wall with provided screws.

# 21

Connect power adapter cable to the LED switch cable and then insert power plug into a power outlet.

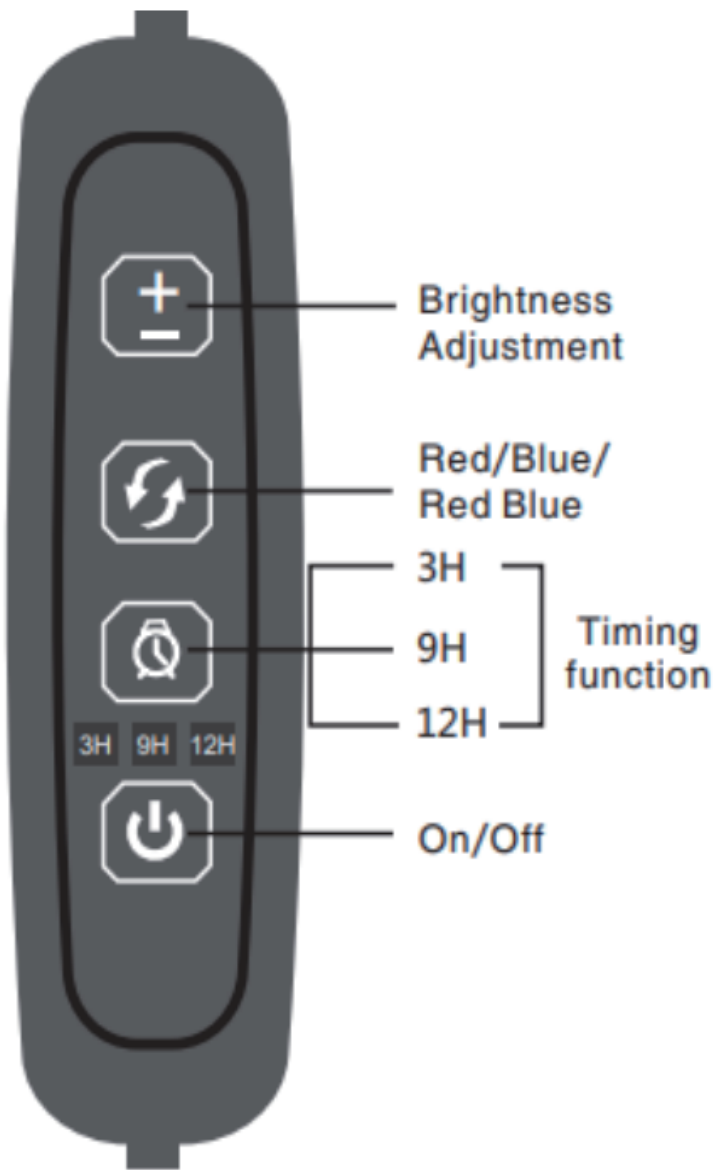


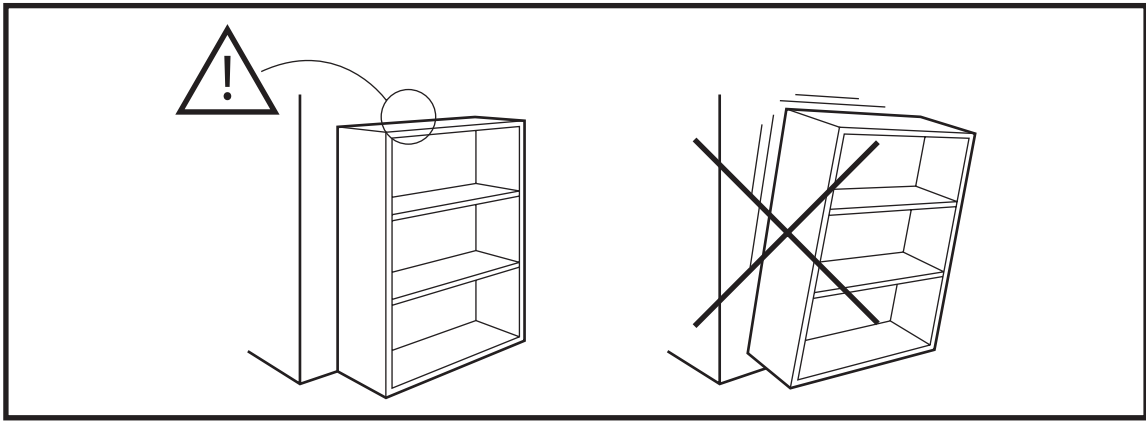
**YOU'RE FINISHED!**

# USER INSTRUCTION

## Technical Parameters:

| Grow Lights |   |       |                      |
|-------------|---|-------|----------------------|
|             | Specification                                 |       | Specification        |
| Controller  | 1.9 Brightness Levels                         | Light | Spectrum:3000K+6000K |
|             | 2.3H 9H 12H Auto ON/OFF Timer                 |       | 12V power input      |
|             | 3.Dual Color Temperature+ Full Color Spectrum |       | IP Grade: IP65       |
|             | 4.12V power input                             |       | led:36PCS            |
|             | IP Grade: IP22                                |       | Length:230mm         |

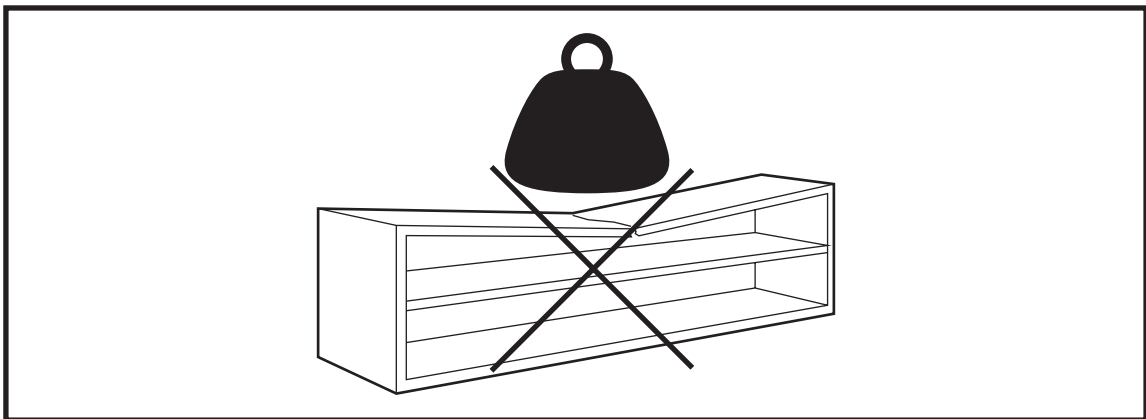




## Warning

Serious or fatal crushing injuries may occur if the furniture tip-over. Furniture must permanently affixed to the wall with included anti-tipping device in order to prevent the furniture from tipping over.

Different wall materials requires different types of wall anchors or screws. Use a suitable wall anchors or screws for your specific wall in order to secure the stability and load bearing capacity of the furniture. If you are uncertain about which type of device to use, please contact a hardware store.



## Warning

Only place items on top of the product if they meet the recommended size and weight limits.

Climbing on, stepping on, or placing overweighted objects on the product may cause property damage and/or injuries.

Items placed onto this product must be resting on a support surface without hanging over the edges.

## FURNITURE CARE AND MAINTENANCE

### Medium - Density Fiberboard

Thank you for your purchase. We want your item to last as long as possible. To ensure the product gives you years of longevity, please follow the recommendations in this care and maintenance guide.



#### MAINTENANCE

- Tighten all bolts and screws again within the first 2 weeks of assembly.
- Check the tightness of all bolts every 2 months and tighten them if necessary.



#### CLEANING

- Clean the surface of the MDF (medium - density fiberboard) with a lightly dampened cloth.
- A small amount of mild soap can be used if necessary.
- Dry the surface immediately after cleaning.

⚠ DO NOT use bleach or alcohol to clean the surface.

⚠ DO NOT apply wood treatment on parts made with MDF.

MDF will swell and distort when exposed to water damage. Make sure to dry the furniture immediately after cleaning.

### ⚠ WARNING

The manufacturer and seller are not responsible for any and all liability relating to personal injury, property damage or losses, whether direct, indirect, or incidental, resulting from the incorrect attachment, improper use, inadequate maintenance, unapproved modification or neglect of this product.

# WARRANTY

Our products come with a 1-year warranty from the date of delivery. **Register your product on our website to enjoy our limited lifetime warranty!**

## AFTER-SALE SERVICE



Encounter any difficulties or missing parts?



Contact us



We will send you replacement.



Hassle free!  
No need to worry about repackaging and sending your item back.