

MYTH REALM

ITEM NO:LOT04704D12N



Thank you for purchasing MYTH REALM LED Lighting Fixtures !

TROUBLESHOOTING:

- Check that line voltage at fixture is correct.
- Ensure that there is voltage at lamp fixture wires. If there is no voltage, then check all connections.
- Check that fixture is grounded properly.

If fixture does not light:

- Check switch to ensure that there are no defects.
- Check fuse/circuit breaker for trips, then check wiring connections.

CLEANING AND MAINTENANCE:

CAUTION: Ensure fixture temperature is cool enough to touch. DO NOT clean or perform maintenance while fixture is energized.

- Clean lens and fixture with non-abrasive cleaning solution.
- Do not open fixture to clean LED. Do not touch the LED.
- Do not spray liquid directly on to LED, LED driver or wiring.

Please read carefully before installing fixture.

Save these instructions, as you may need them at a later date.

Please follow the following steps for installation. →

LED OUTDOOR FIXTURE

INSTALLATION INSTRUCTIONS



WARNINGS:



Turn power off before installation, inspection, or removal. Use all necessary precautions while performing this procedure.



Consult a qualified electrician to ensure correct branch circuit conductor. Min 90°C supply conductors.



Properly ground electrical enclosure. IT IS IMPERATIVE THAT THE OUTLET BOX BE PROPERLY GROUNDED.



DO NOT REVERSE THE HOT AND NEUTRAL CONNECTIONS, OTHERWISE SAFETY WILL BE COMPROMISED.



This Integrated LED Fixture has no lamp/bulb to replace.

GENERAL: All electrical connections must be in accordance with local and National Electrical Code (N.E.C.) standards. If you are unfamiliar with proper electrical wiring connections, contact and obtain the services of a qualified electrician. Use UL or IEC approved wire only for input/output connections.

Remove fixture and mounting components from the box, and make sure that no parts are missing by referencing the illustration in the installation instructions.

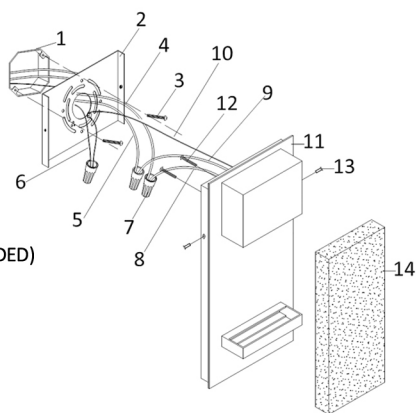
DIMMING: This product is compatible with most common residential type dimmers. Dimming performance will depend upon dimmer, dimmer settings (dimmers with adjustments to brightness range), wiring method, and number of LED modules. For best results, set dimmer position at maximum before adjusting to a lower light level.



For Wet Locations, please install the included O-ring.

WARNING: Do not remove or touch the inside of plastic lens covering the LED Board.

Figure 1



1. OUTLET BOX (NOT INCLUDED)
2. MOUNTING BRACKET
3. MOUNTING SCREW
4. WHITE SUPPLY WIRE
5. BLACK SUPPLY WIRE
6. SUPPLY GROUND WIRE
7. RE NUT
8. WHITE FIXTURE WIRE
9. BLACK FIXTURE WIRE
10. FIXTURE GROUND WIRE
11. FIXTURE
12. SHADE SCREW
13. FIXTURE SCREW
14. GLASS SHADE

1

Remove the fixture and the mounting package from the box and make sure that no parts are missing by referencing the illustrations on the installation instructions.

2

Pull the power supply wires out from the outlet box (1). Attach the mounting backplate(2) to the outlet box using two mounting screws (3).

3

Make wire connections, connect the black supply wire (5) to black fixture wire (11), white supply wire (4) to white fixture wire(10) and the fixture ground wire(12) to supply ground wire(6) using wire nuts (7).

4

Wrap all wire connections with electrical tape for secure connection.

5

Place the glass shade(14) of the lamp over the mounting backplat(11). Insert the fixture shade screws (12).

6

Place the fixture(11) of the lamp over the mounting bracket (2). Insert the fixture fixture screws (13) and tighten to secure the lamp to the ceiling.

7

Install light bulbs (NOT included), DO NOT exceed wattage maximum as indicated on the rating label.

8

After installing the fixture, caulk upper 2/3 of wire connection enclosure to mounting surface. Leave bottom 1/3 un-caulked for drainage of any water that might leak into the enclosure.

9

The manufacturer recommends a non-drying exterior caulking material. A good example is a clear silicone rubber sealant for exterior use.

10

Install complete.

LIMITED WARRANTY

This fixture is warranted to be free from defects in workmanship and material for up to 5 years. Based on reasonable household usage, when used in accordance with package and fixtures directions. If this fixture doesn't last for the time period guaranteed (based on up to 3 hours average usage per day/7 days a week), manufacture will send you a replacement fixture upon receipt of the returned fixture, register receipt, and proof of purchase. To contact us, go to www.myth-realm and email us find out how to return the fixture. MYTH REALM is committed to making high quality products. Returning the fixture will help us monitor and further improve product quality. This replacement is the sole remedy available, and LIABILITY FOR INCIDENTAL OR CONSEQUENTIAL DAMAGES IS HEREBY EXPRESSLY EXCLUDED. Some states don't allow exclusion of incidental or consequential damages, so the above limitation or exclusion may not apply to you. This warranty gives you specific legal rights, and you may also have other rights which vary from state to state.

This device complies with Part 15 of the FCC Rules and has been tested and found to comply with the limits for Class B digital device. Operation is subject to the following two conditions: (1) this device may cause harmful interference, and (2) this device must accept any interference received, including interference that may cause undesired operation. Any changes or modifications not expressly approved by manufacturer could void user's authority to operate the equipment.

MYTH REALM

Made in China

120VAC/60Hz Input, No Dimmable