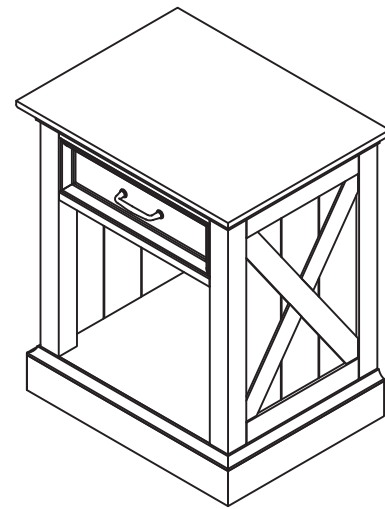


Night Stand



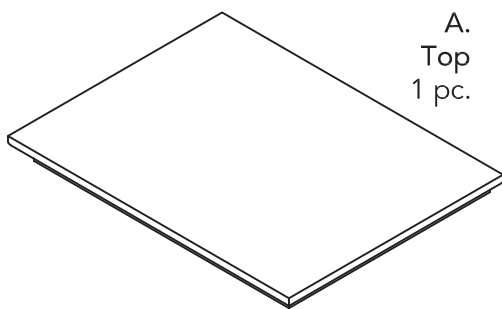
IMPORTANT

Carefully remove all the parts from the carton and place them individually on a soft cloth to prevent scratches or other damage.

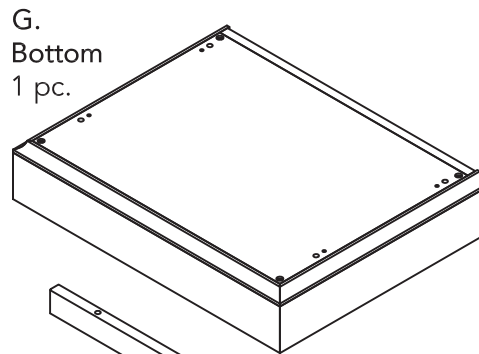
Carefully and strictly follow these assembly instructions to ensure a completed product as designed.

Do not use power tools above 8 volts to assemble.

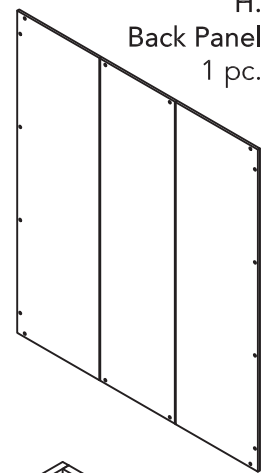
Part List



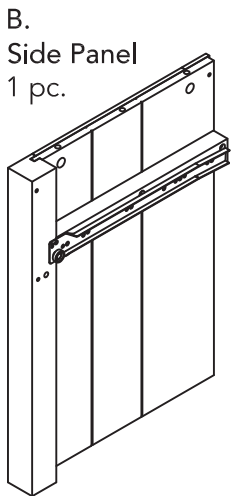
A.
Top
1 pc.



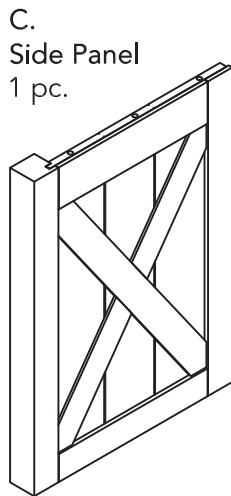
G.
Bottom
1 pc.



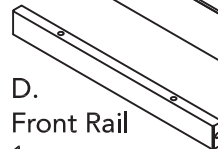
H.
Back Panel
1 pc.



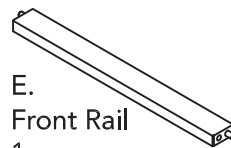
B.
Side Panel
1 pc.



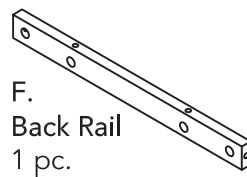
C.
Side Panel
1 pc.



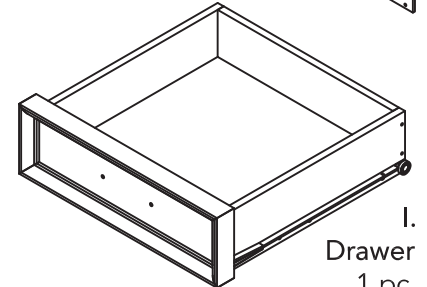
D.
Front Rail
1 pc.



E.
Front Rail
1 pc.



F.
Back Rail
1 pc.



I.
Drawer
1 pc.

Refer to later page(s) of these instructions for drawer assembly.

Hardware List



Cam Lock Screw
14 pcs. (+2 extra)



Cam Lock
14 pcs. (+2 extra)



M4x32
1 1/4" Round Head Screw
4 pcs. (+1 extra)



M3x13
1/2" Round Head Screw
16 pcs. (+1 extra)



M3x32
1 1/4" Flat Head Screw
8 pcs. (+1 extra)



M3x19
3/4" Flat Head Screw
4 pcs. (+1 extra)



M4x22
Machine Screw
2 pcs.



Handle
1 pc.



Dowel
6 pcs. (+1 extra)

Tool(s) required for assembly: Phillips screwdriver, Level

Home Styles Customer Service: www.homestyles-furniture.com,
servicedesk@homestyles-furniture.com, 888-680-7460, 877-831-0319

Assembly Instructions 2/7

IMPORTANT

- Use a soft cloth between these parts and the floor.
- Do not use power tools above 8 volts to assemble.
- Do not tighten all the screws until each part is properly assembled.
- The unit must be level to work properly. Use the included adjustable levelers to level.

STEP 1

Insert Cam Lock Screws into pre-drilled holes in Top (A) and Side Panels (B), (C), then tighten.

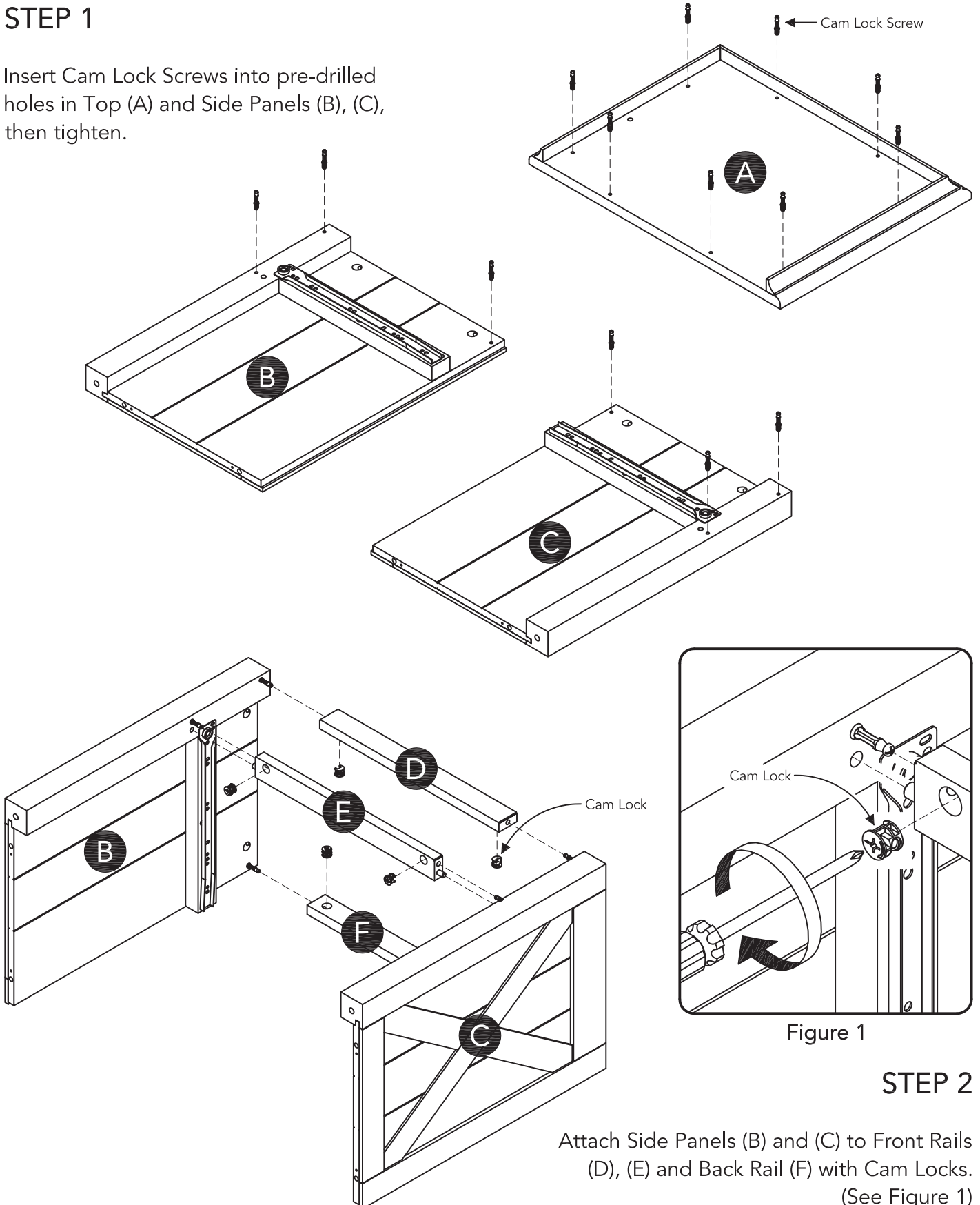


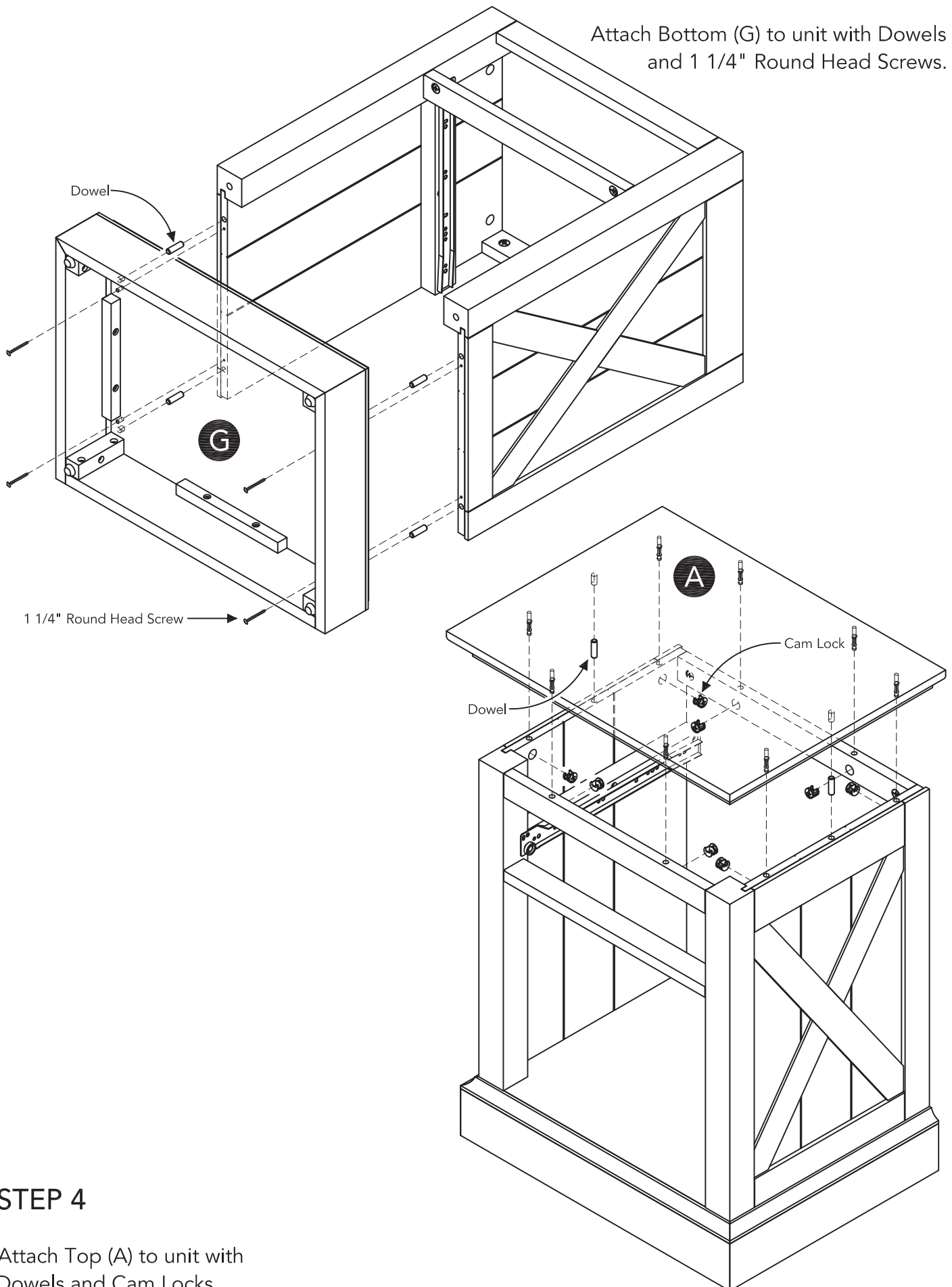
Figure 1

STEP 2

Attach Side Panels (B) and (C) to Front Rails (D), (E) and Back Rail (F) with Cam Locks.
(See Figure 1)

STEP 3

Attach Bottom (G) to unit with Dowels and 1 1/4" Round Head Screws.



STEP 4

Attach Top (A) to unit with Dowels and Cam Locks.

Assembly Instructions 4/7

STEP 5

Level unit by adjusting the adjustable levelers on bottom of unit.
(See Figure 2)

Note: Unit must be level to proceed.

Attach Back Panel (H) to unit with
1/2" Round Head Screws.

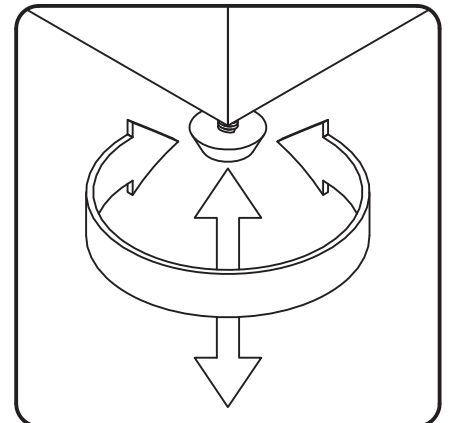
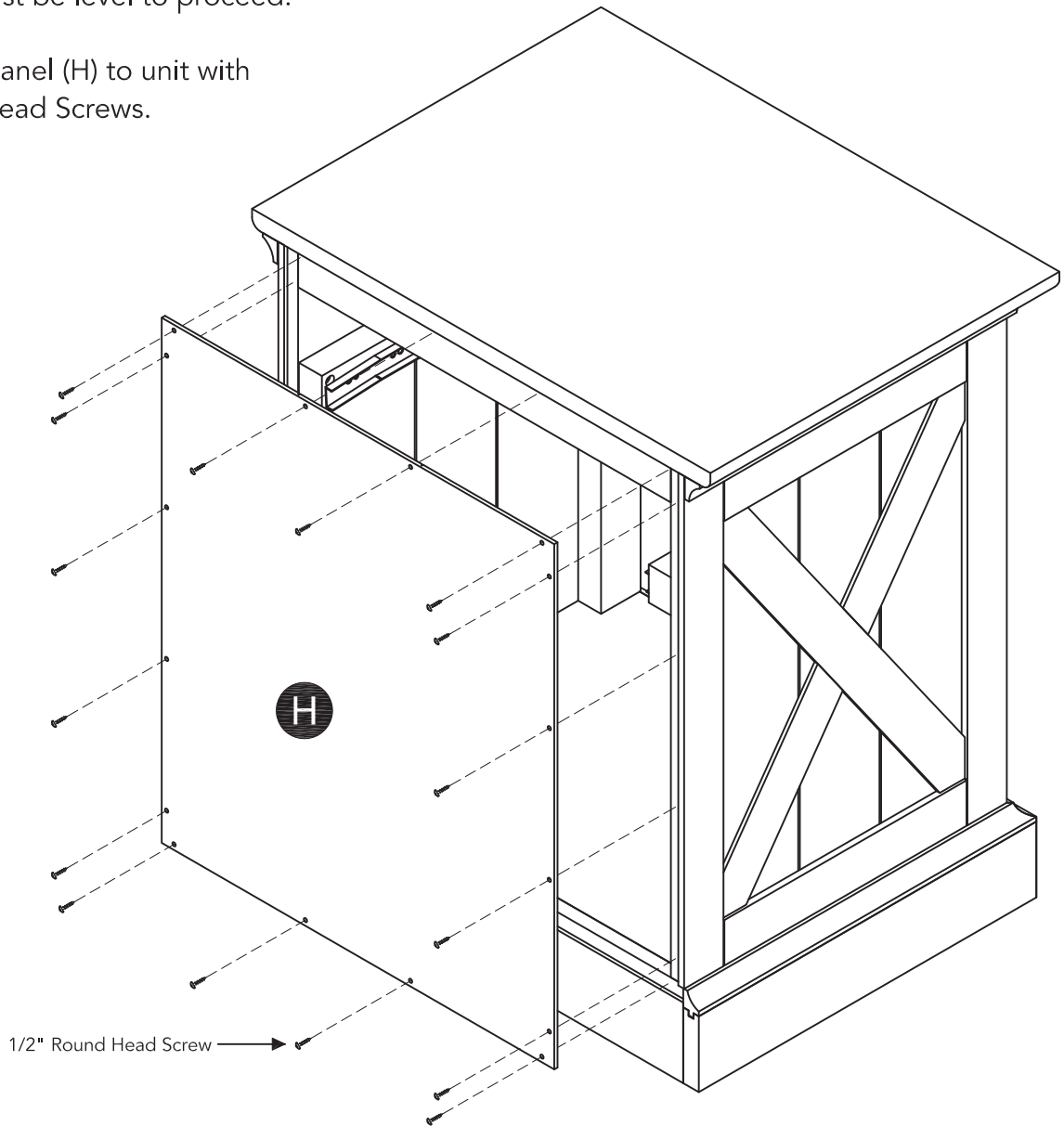
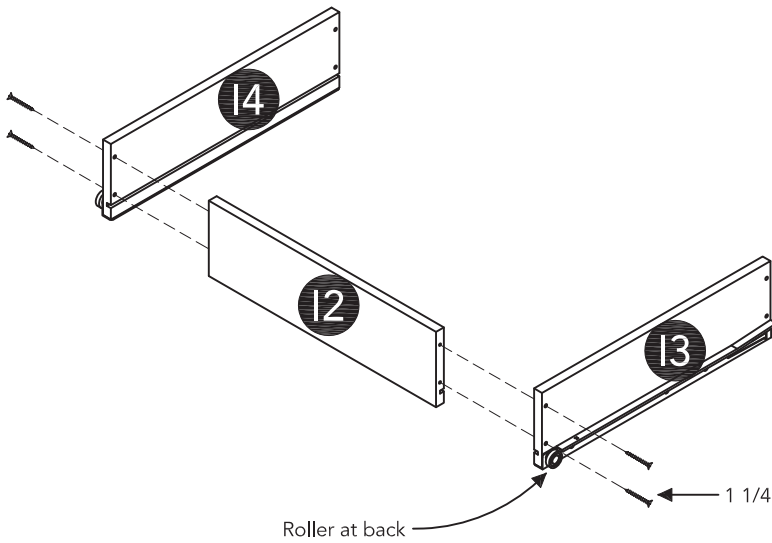


Figure 2

Assembly Instructions 5/7

Drawer (I)



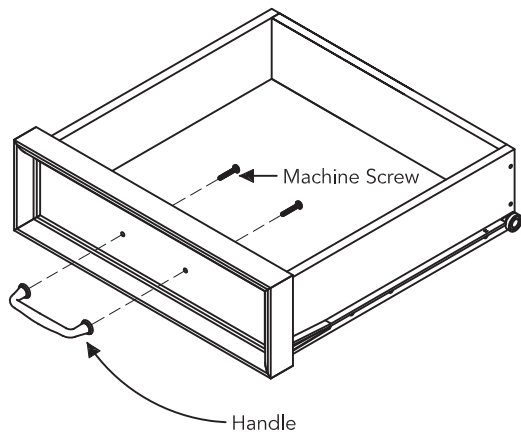
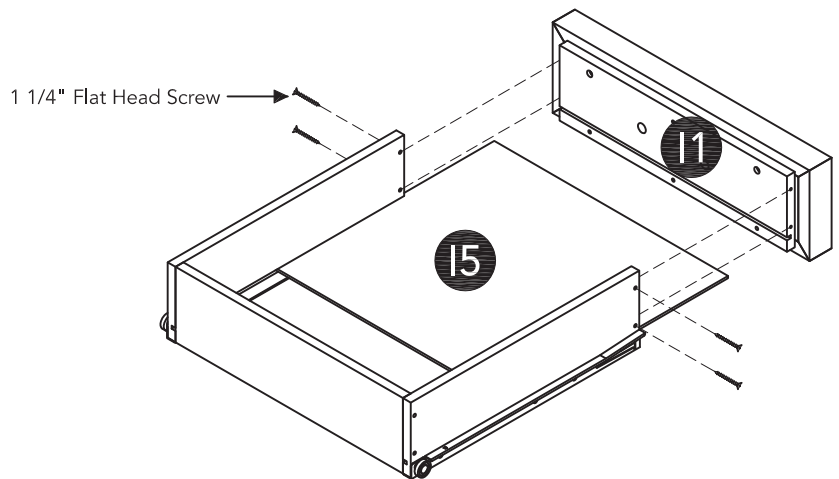
STEP 6

Attach Drawer Sides (13) and (14) to Drawer Back (12) with 1 1/4" Flat Head Screws.

STEP 7

Insert Drawer Bottom (15) into groove.

Attach Drawer Front (11) to unit with 1 1/4" Flat Head Screws.

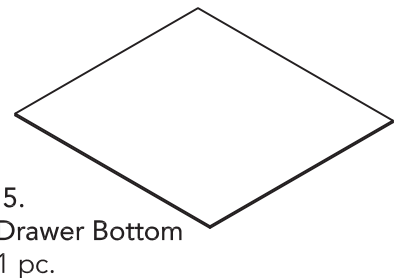
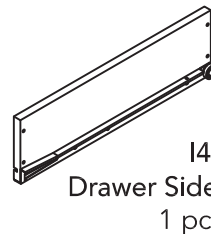
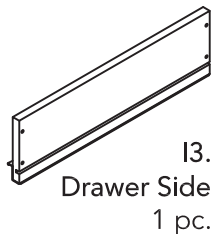
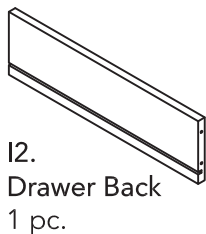
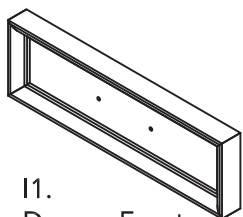


STEP 8

Attach Handle with Machine Screws.

Note: Drawer assembly is not complete until 3/4" Flat Head Screws are used in a later step.

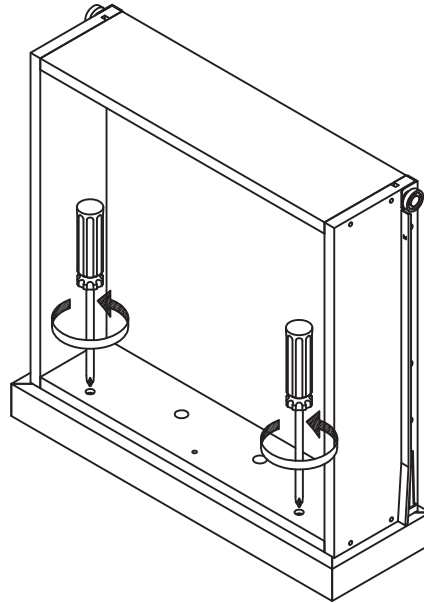
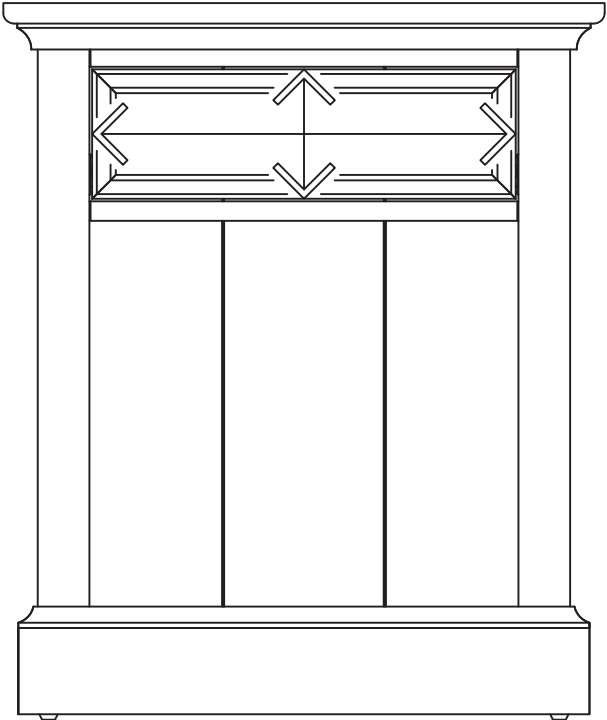
Part List



Assembly Instructions 6/7

STEP 9

Loosen slightly screws pre-installed on back of drawer front.



STEP 10

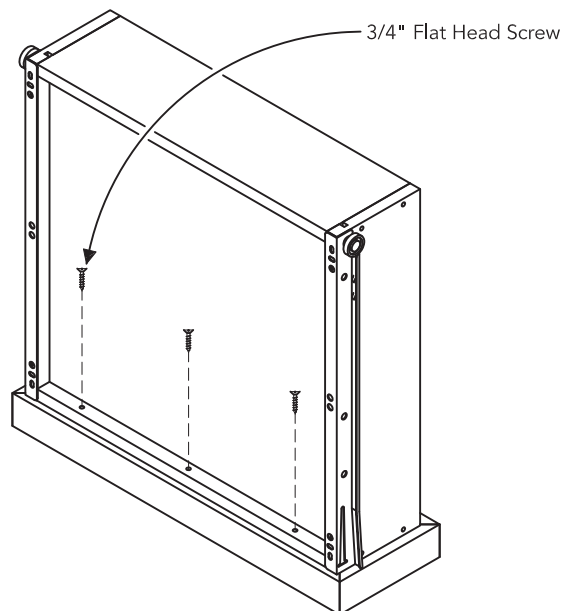
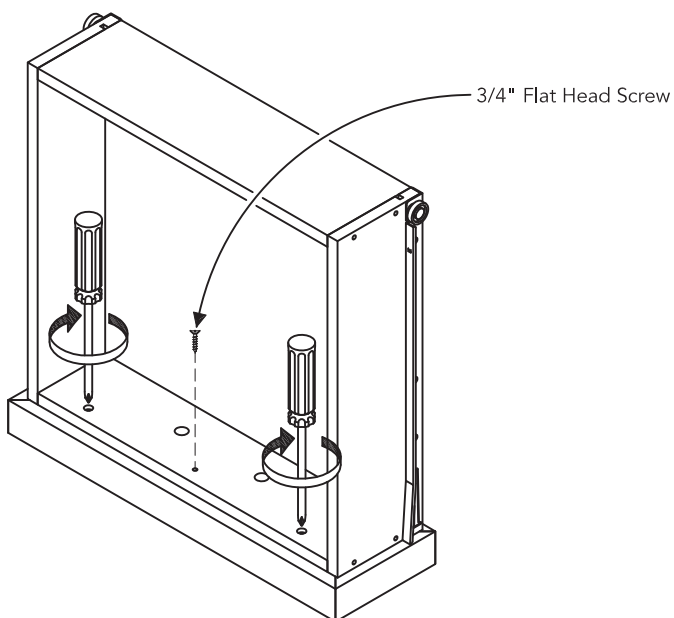
Insert drawer into unit, then adjust drawer front panel left or right and up or down until drawer gaps look proportional.

STEP 11

Pull drawer open slowly and re-tighten screws from Step 9.

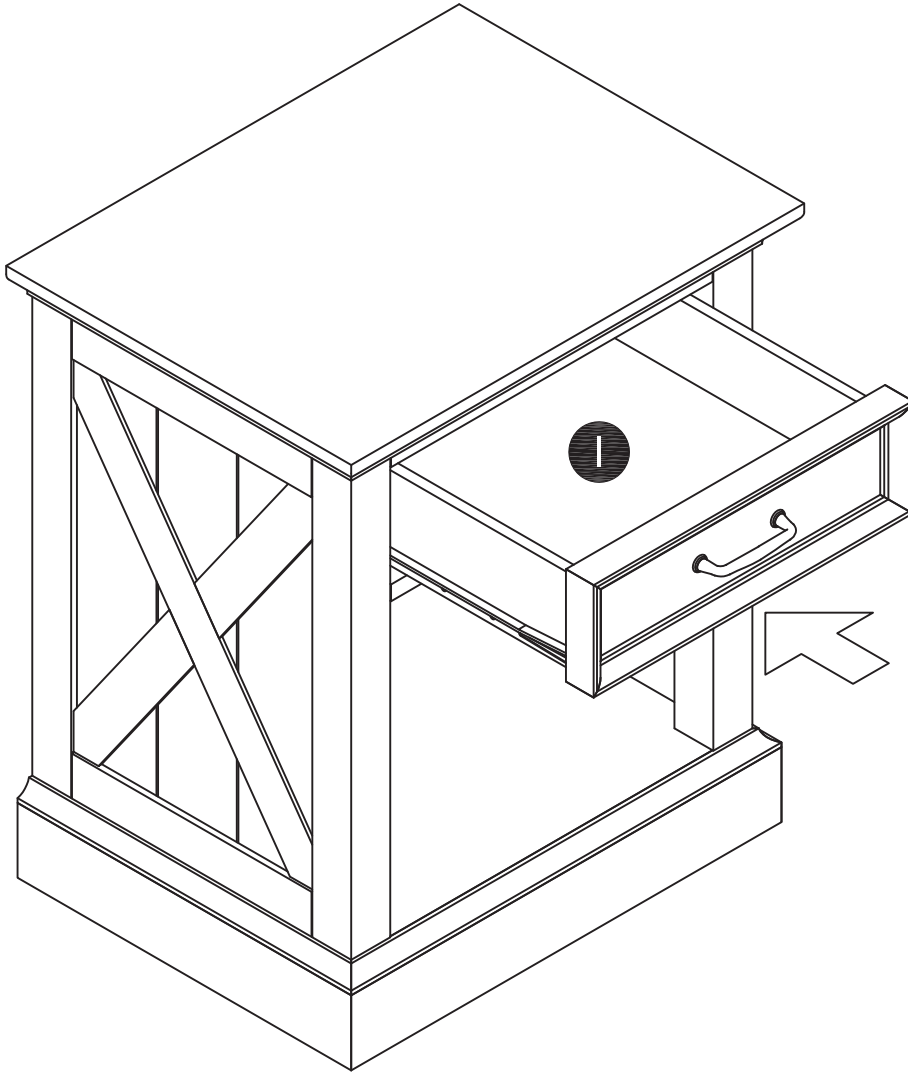
Make sure drawer front panel does not move and lock drawer front panel into position with 3/4" Flat Head Screws.

Note: These 3/4" Flat Head Screws must be installed to complete the drawer assembly.



STEP 12

Slide Drawer (I) into position.



CARE INSTRUCTIONS

NEVER

allow liquids to remain on furniture.
Absorption causes parts to warp
and split and finishes to delaminate.

NEVER

use glass cleaners on
finished furniture. Ammonia
chemically attacks the finish.



Do not use power tools
above 8 volts to assemble.

**PREVENT
CRACKING**



Do not place
in direct sunlight.

**PREVENT
FADING**



Do not write
directly on surface.

**PREVENT
MARKING**



Do not place hot
objects on surface.

**PREVENT
FINISH DAMAGE**



Do not use rubber
based placemats.

**PREVENT
DISCOLORING**



Do not use commercial
waxes and polishes.

**PREVENT
YELLOWING**

CLEAN

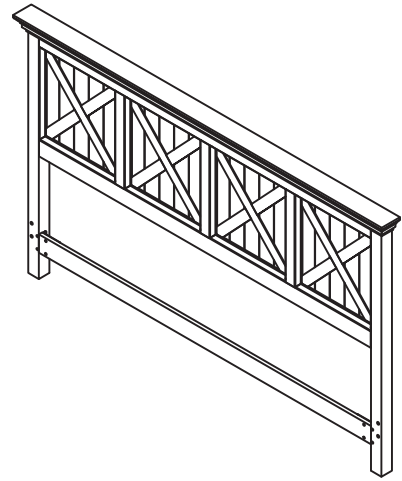
with a soft cloth moistened
in lukewarm soap and water.
Buff with a dry clean cloth.



Home Styles will provide replacements free of charge for missing or damaged hardware or parts within 30 days of purchase. Digital images of the defective parts may be required. If the product was not purchased from an authorized retail affiliate, Home Styles is under no obligation to provide replacement parts. Parts are not available for fully assembled items nor are parts available for sale. Replacements for missing or damaged hardware or parts may be requested at:

www.homestyles-furniture.com/customer-service/replacement-parts

Home Styles Customer Service: www.homestyles-furniture.com,
servicedesk@homestyles-furniture.com, 888-680-7460, 877-831-0319



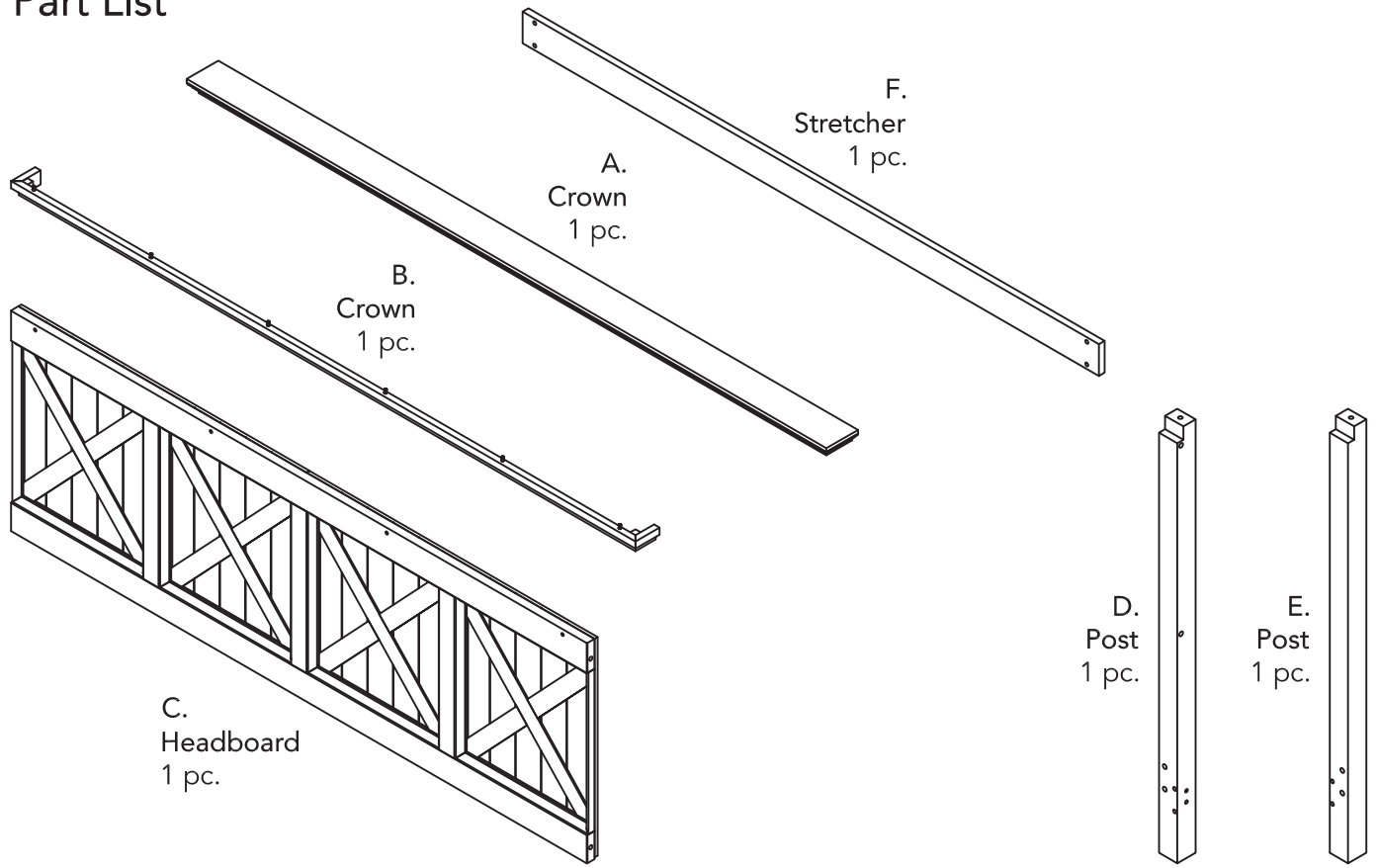
IMPORTANT

Carefully remove all the parts from the carton and place them individually on a soft cloth to prevent scratches or other damage.

Carefully and strictly follow these assembly instructions to ensure a completed product as designed.

Do not use power tools above 8 volts to assemble.

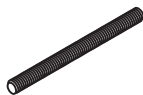
Part List



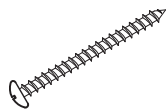
Hardware List



**M6x30
Head Cap Bolt**
4 pcs. (+1 extra)



**(5/16"x3 5/32")
Bolt**
6 pcs. (+1 extra)



**M4x45
1 3/4" Round Head Screw**
4 pcs. (+1 extra)



**M4x16
5/8" Flat Head Screw**
10 pcs. (+1 extra)



Spring Washer
4 pcs. (+1 extra)



Flat Washer
4 pcs. (+1 extra)



Square Washer
6 pcs. (+1 extra)



Nut
6 pcs. (+1 extra)



Corner Plate
2 pcs.



Wrench
1 pc.



Hex Wrench
1 pc.



Hex Wrench (Small)
1 pc.

Tool(s) required for assembly: Phillips screwdriver

homestyles Customer Service: www.homestylesfurniture.com,
servicedesk@homestylesfurniture.com, 888-680-7460

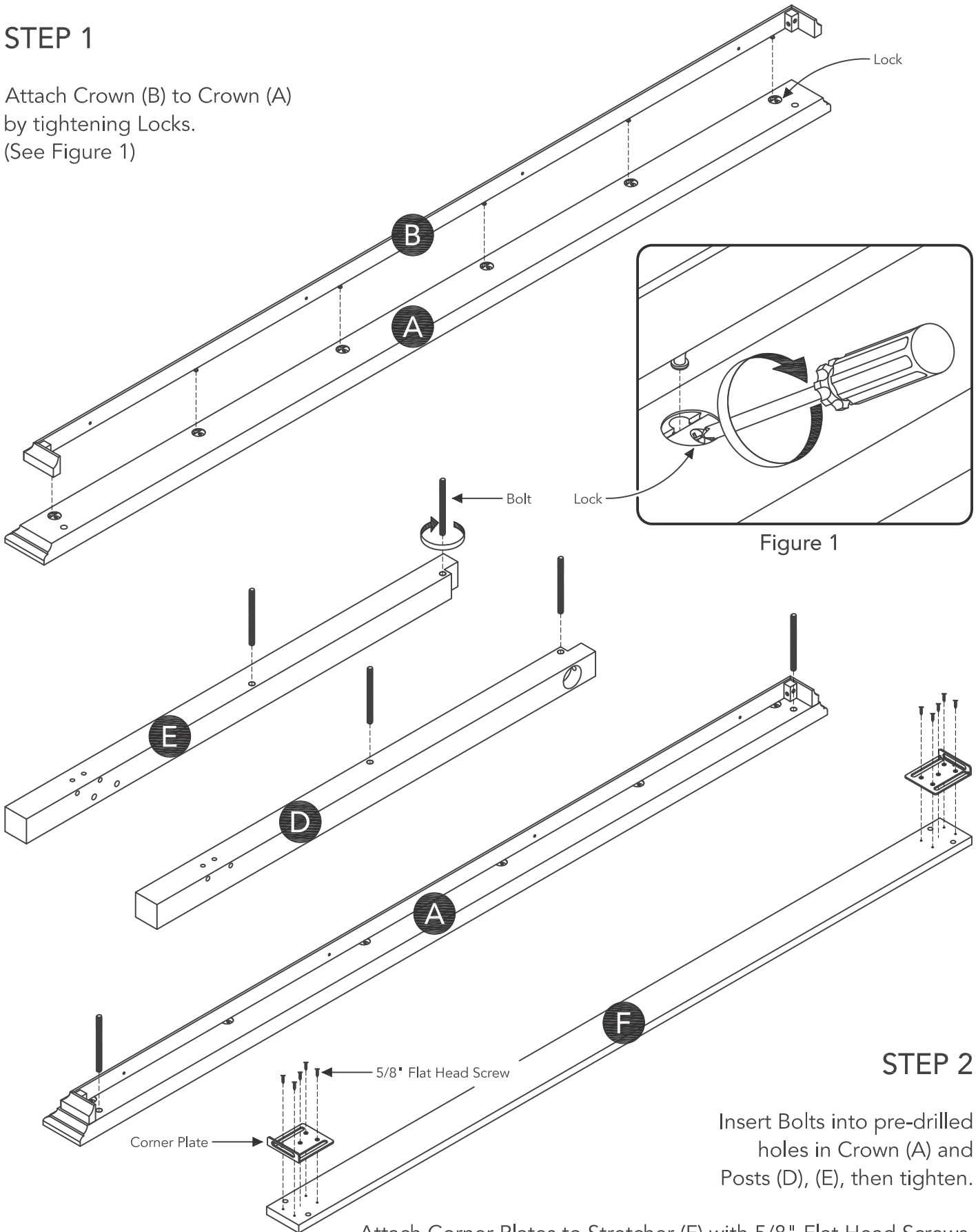
Assembly Instructions 2/4

IMPORTANT

- Use a soft cloth between these parts and the floor.
- Do not use power tools above 8 volts to assemble.
- Do not tighten all the bolts until each part is properly assembled.
- Keep Wrench and Hex Wrench as the Nuts and Head Cap Bolts may need to be tightened in the future.

STEP 1

Attach Crown (B) to Crown (A)
by tightening Locks.
(See Figure 1)



STEP 2

Insert Bolts into pre-drilled
holes in Crown (A) and
Posts (D), (E), then tighten.

Attach Corner Plates to Stretcher (F) with 5/8" Flat Head Screws.

Assembly Instructions 3/4

STEP 3

Attach Posts (D) and (E) to Headboard (C) with Square Washers and Nuts.

Tighten all Nuts with Wrench. (See Figure 2)

Attach Stretcher (F) to unit with Flat Washers, Spring Washers and Head Cap Bolts.

Tighten all Head Cap Bolts with Hex Wrench. (See Figure 3)

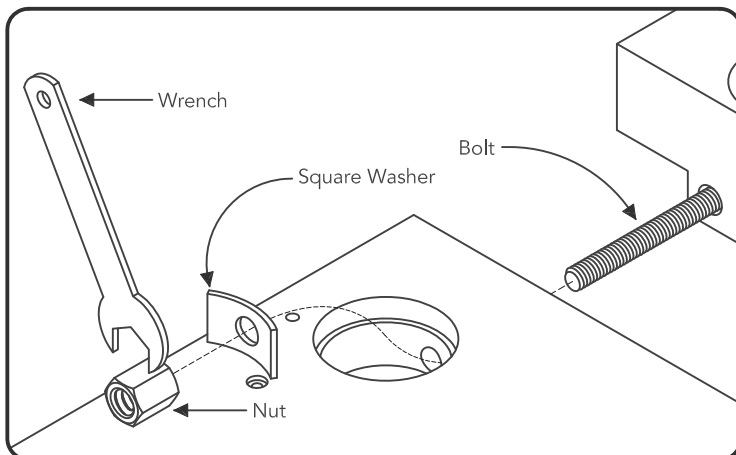
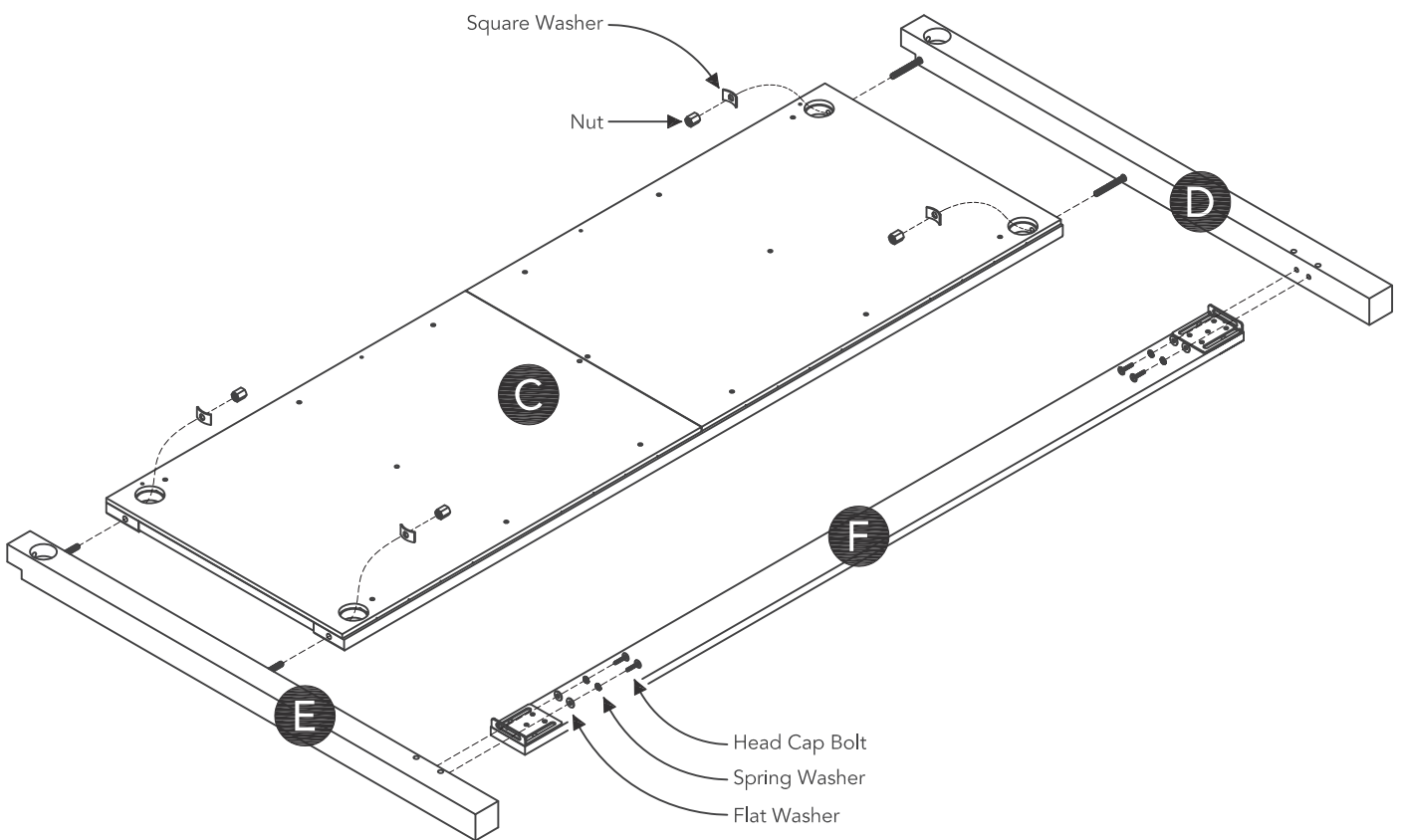


Figure 2

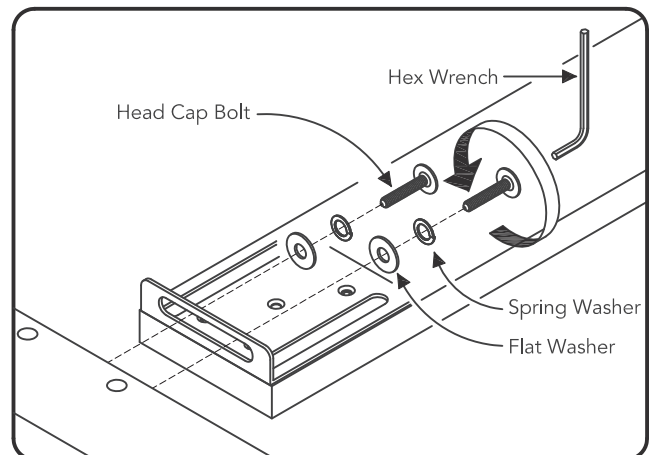


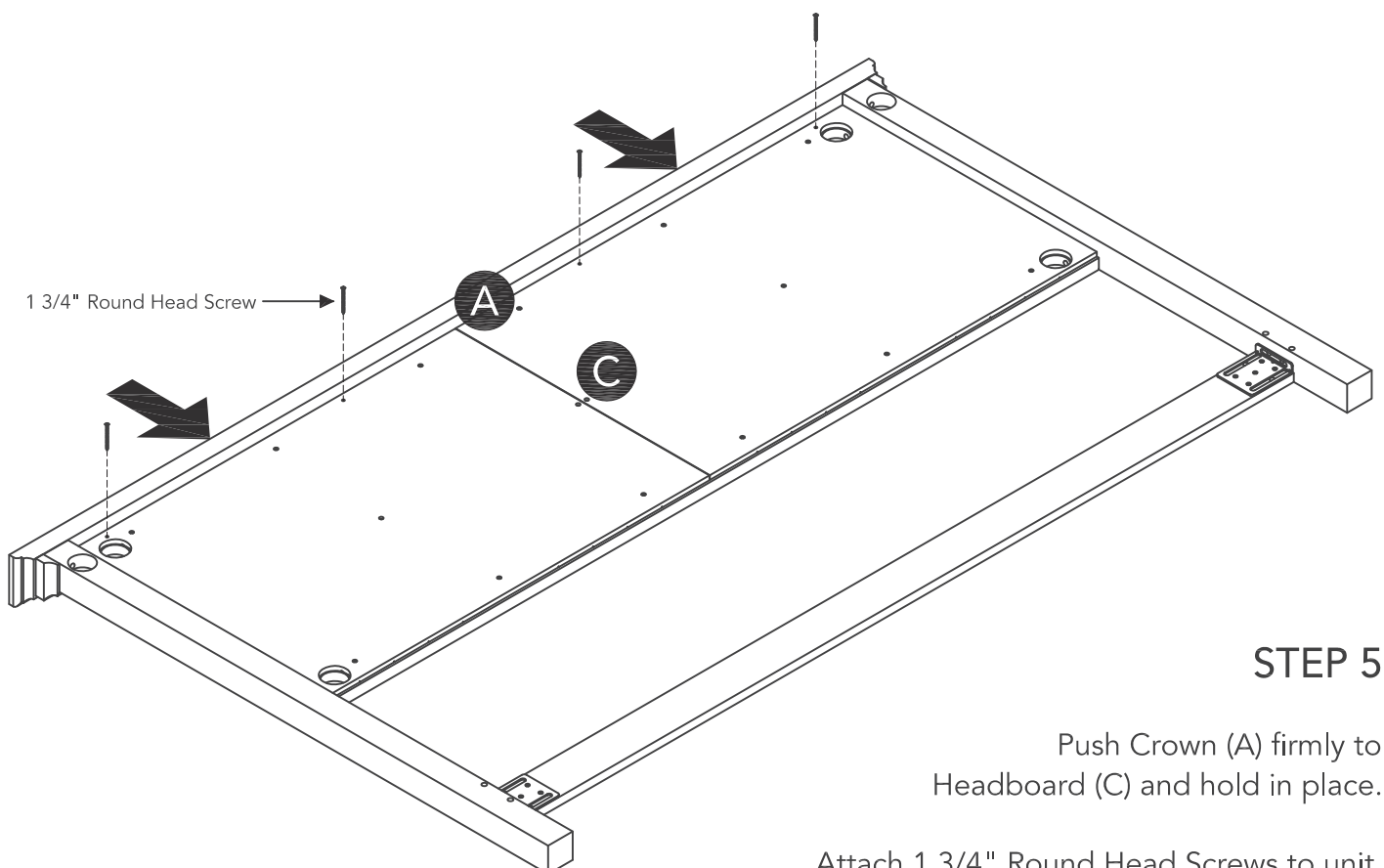
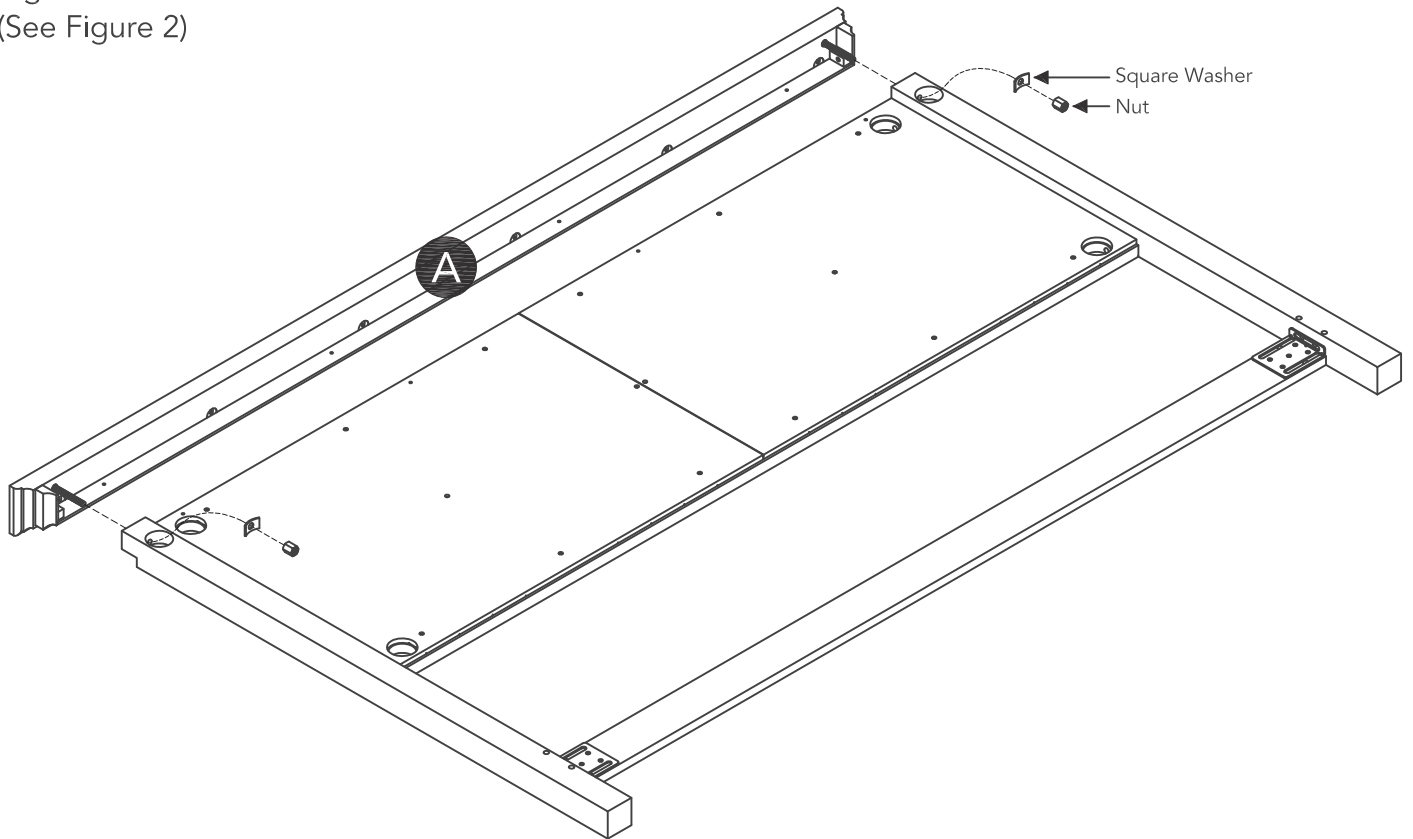
Figure 3

Assembly Instructions 4/4

STEP 4

Attach Crown (A) to unit with Square Washers and Nuts.

Tighten Nuts with Wrench.
(See Figure 2)

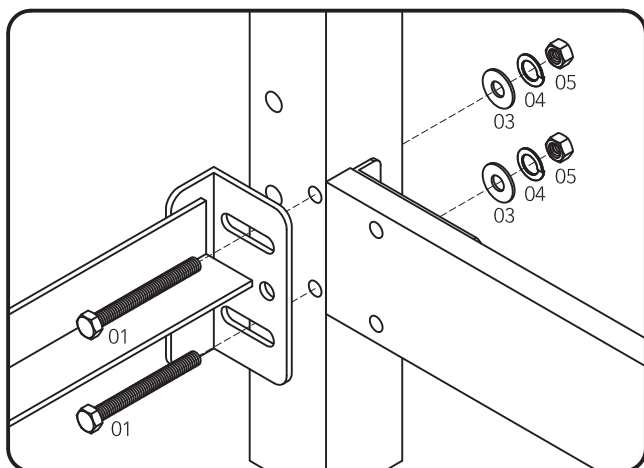
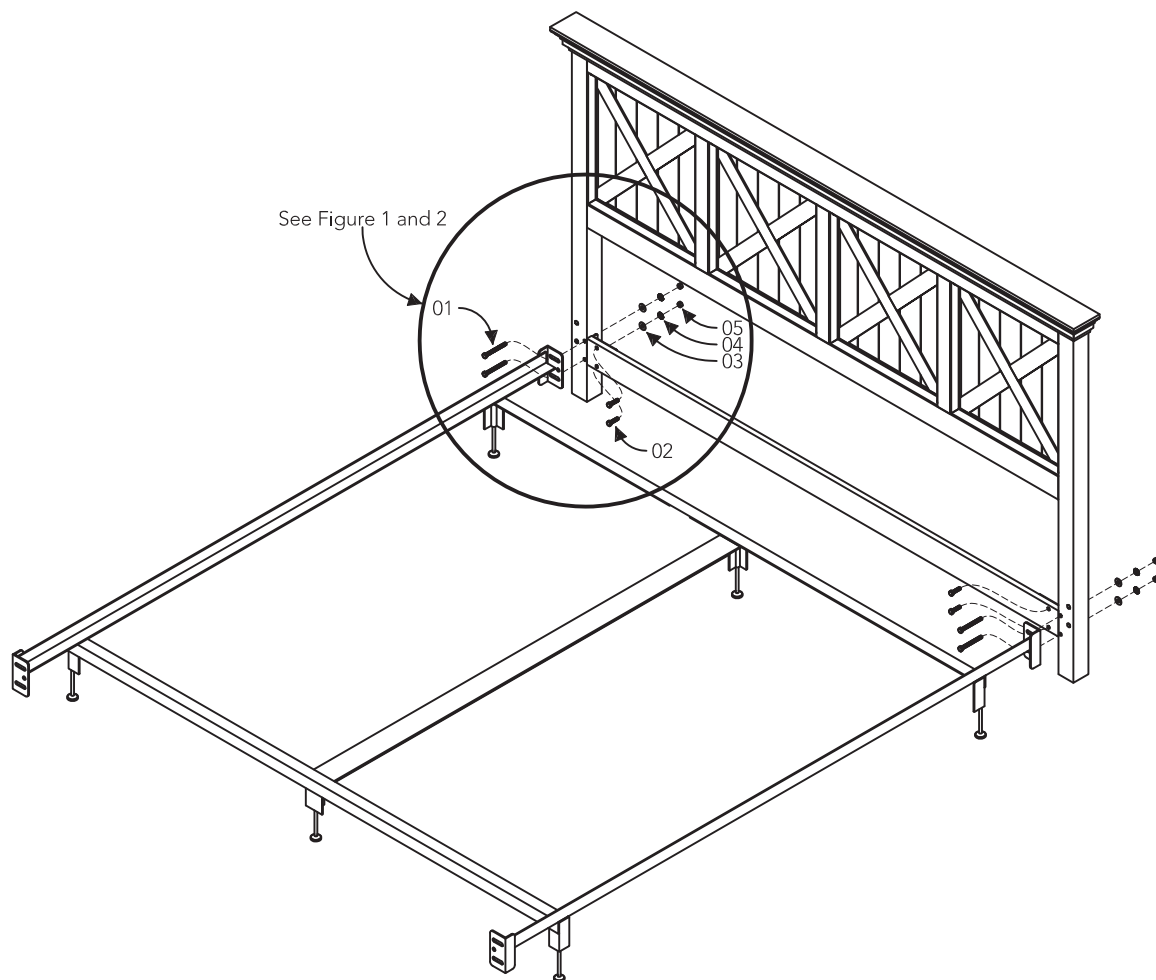


STEP 5

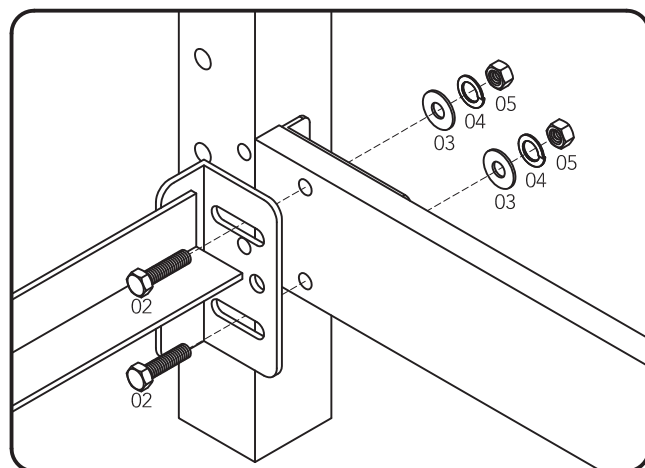
Push Crown (A) firmly to
Headboard (C) and hold in place.

Attach 1 3/4" Round Head Screws to unit.

How to Attach Headboard to Metal Bed Frame

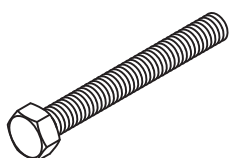


Holes for King Metal Bed Frame.
(See Figure 1)

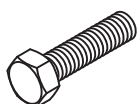


Holes for CA King Metal Bed Frame.
(See Figure 2)

Hardware List (Not Included)



01
Machine Screw M8 x 75
4 pcs.



02
Machine Screw M8 x 40
4 pcs.



03
Flat Washer M8
4 pcs.



04
Spring Washer M8
4 pcs.



05
Nut M8
4 pcs.

CARE INSTRUCTIONS

NEVER

allow liquids to remain on furniture.
Absorption causes parts to warp
and split and finishes to delaminate.

NEVER

use glass cleaners on
finished furniture. Ammonia
chemically attacks the finish.



Do not use power tools
above 8 volts to assemble.

**PREVENT
CRACKING**



Do not place
in direct sunlight.

**PREVENT
FADING**



Do not write
directly on surface.

**PREVENT
MARKING**



Do not place hot
objects on surface.

**PREVENT
FINISH DAMAGE**



Do not use rubber
based placemats.

**PREVENT
DISCOLORING**



Do not use commercial
waxes and polishes.

**PREVENT
YELLOWING**

CLEAN

with a soft cloth moistened
in lukewarm soap and water.
Buff with a dry clean cloth.



homestyles will provide replacements free of charge for missing or damaged parts within 30 days of purchase. Digital images of the defective parts may be required. If the product was not purchased from an authorized retailer, **homestyles** is under no obligation to provide replacement parts. Parts are not available for fully assembled items nor are parts available for sale. Replacements for missing or damaged parts may be requested via contact info below.

homestyles Customer Service: www.homestylesfurniture.com,
servicedesk@homestylesfurniture.com, 888-680-7460