

# STANLEY FURNITURE

## ASSEMBLY INSTRUCTIONS

Item# 901-H1-007HB UPHOLSTERED BED (HEADBOARD)

Item# 901-H1-007FB UPHOLSTERED BED (FOOTBOARD & SIDERAILS)

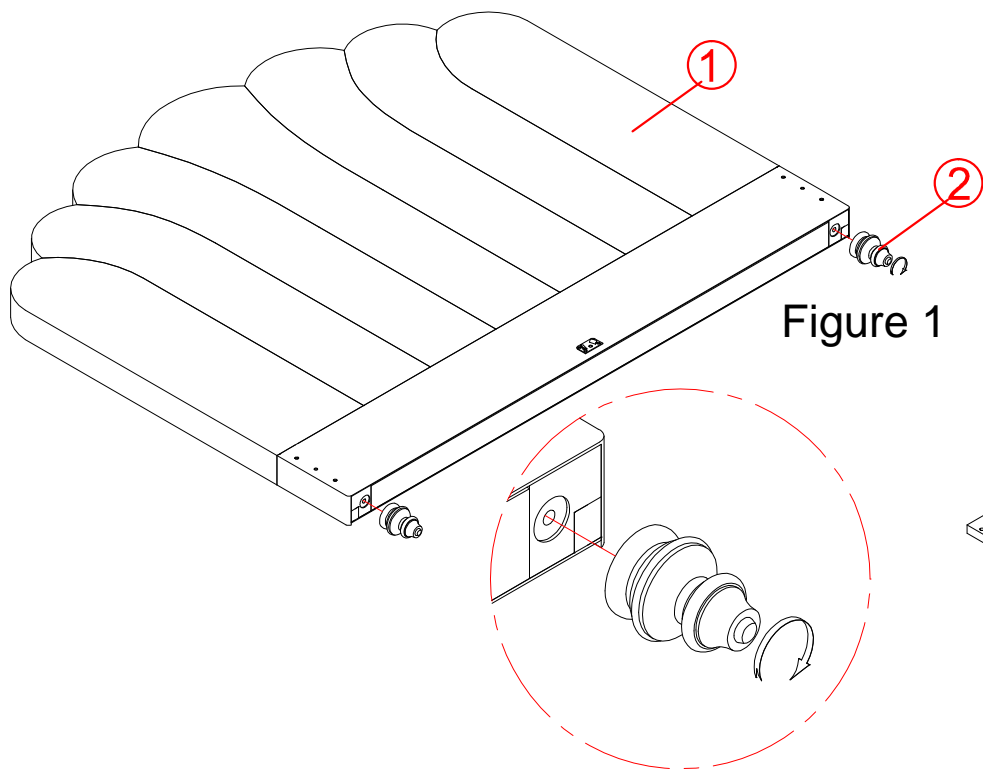
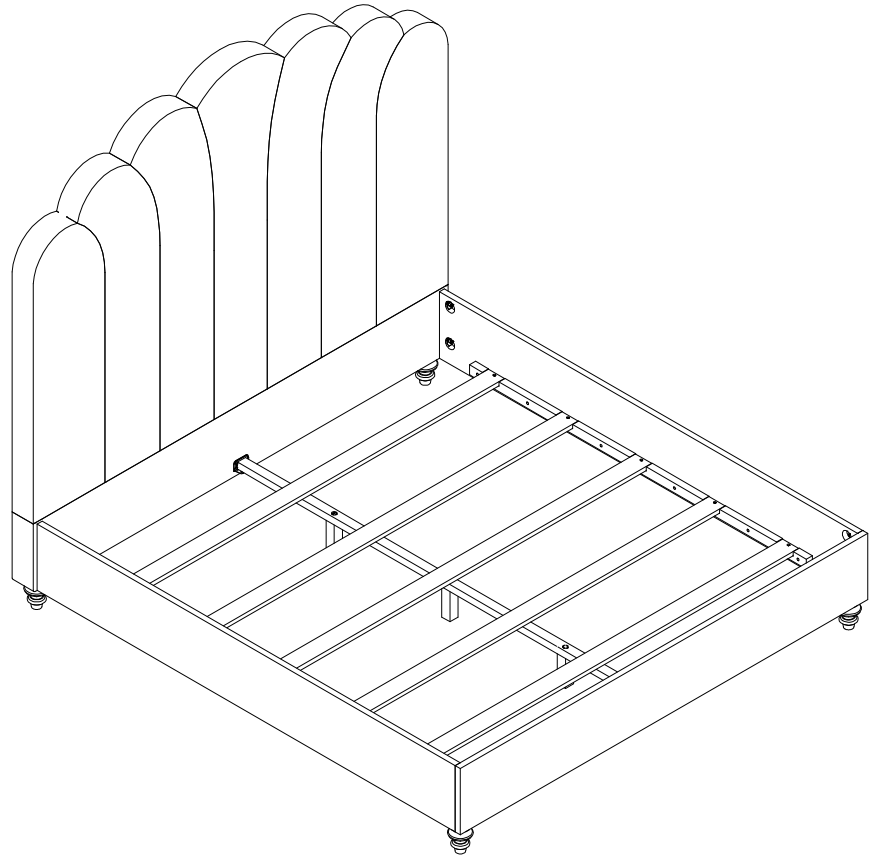


Figure 1

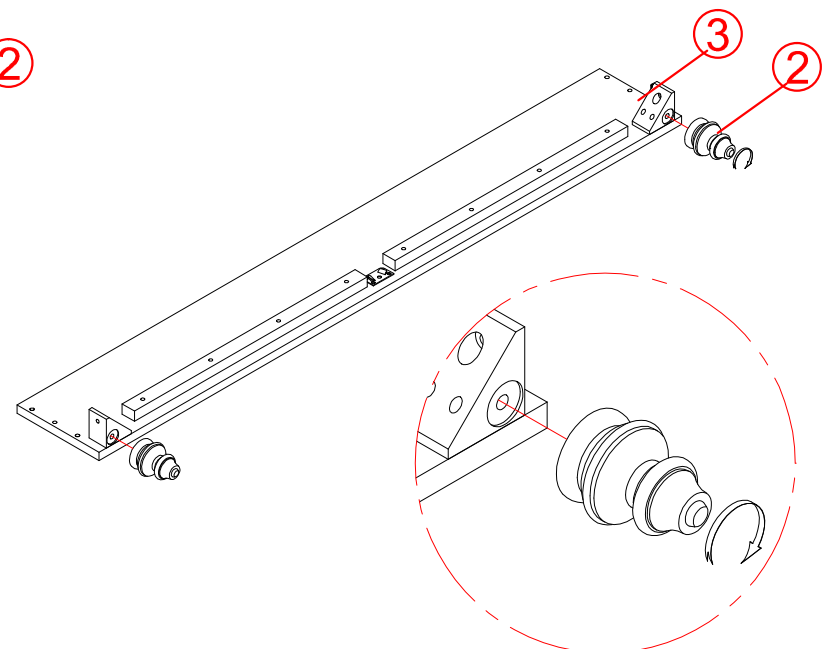



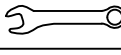


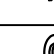
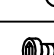
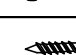
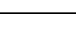


Figure 2

### HARDWARE PACK

#### COMPONENT LIST

NO	Description	Q'TY
1	Headboard	1 PC
2	Legs	4 PCS
3	Footboard	1 PC
4	Center Slat Bearer	1 PC
5	Center Support Leg	3 PCS
6	Bed Slats	5 PCS

No.	Hardware List 1		Q' ty
A		Thread Bolt ( 5/16"*75mm)	8pcs
B		Dowel (Φ10*40mm)	4pcs
C		Curved Slotted Washer ( 5/16"*12mm)	8pcs
D		Spanner Wrench ( 12mm*160mmL)	1pc
E		Allen Wrench (100*50*4mm)	1pc
F		Bolt ( 5/16"*x30mm)	2pcs
G		Lock Washer ( 5/16")	5pcs
H		Flat Washer ( 5/16"*19*1.5mm )	5pcs
I		Bolt ( 5/16"*x45mm)	3pcs
J		Screw (#8*32mm)	10pc

**STANLEY**  
FURNITURE

# ASSEMBLY INSTRUCTIONS

Item# 901-H1-007HB UPHOLSTERED BED (HEADBOARD)

Item# 901-H1-007FB UPHOLSTERED BED (FOOTBOARD & SIDERAILS)

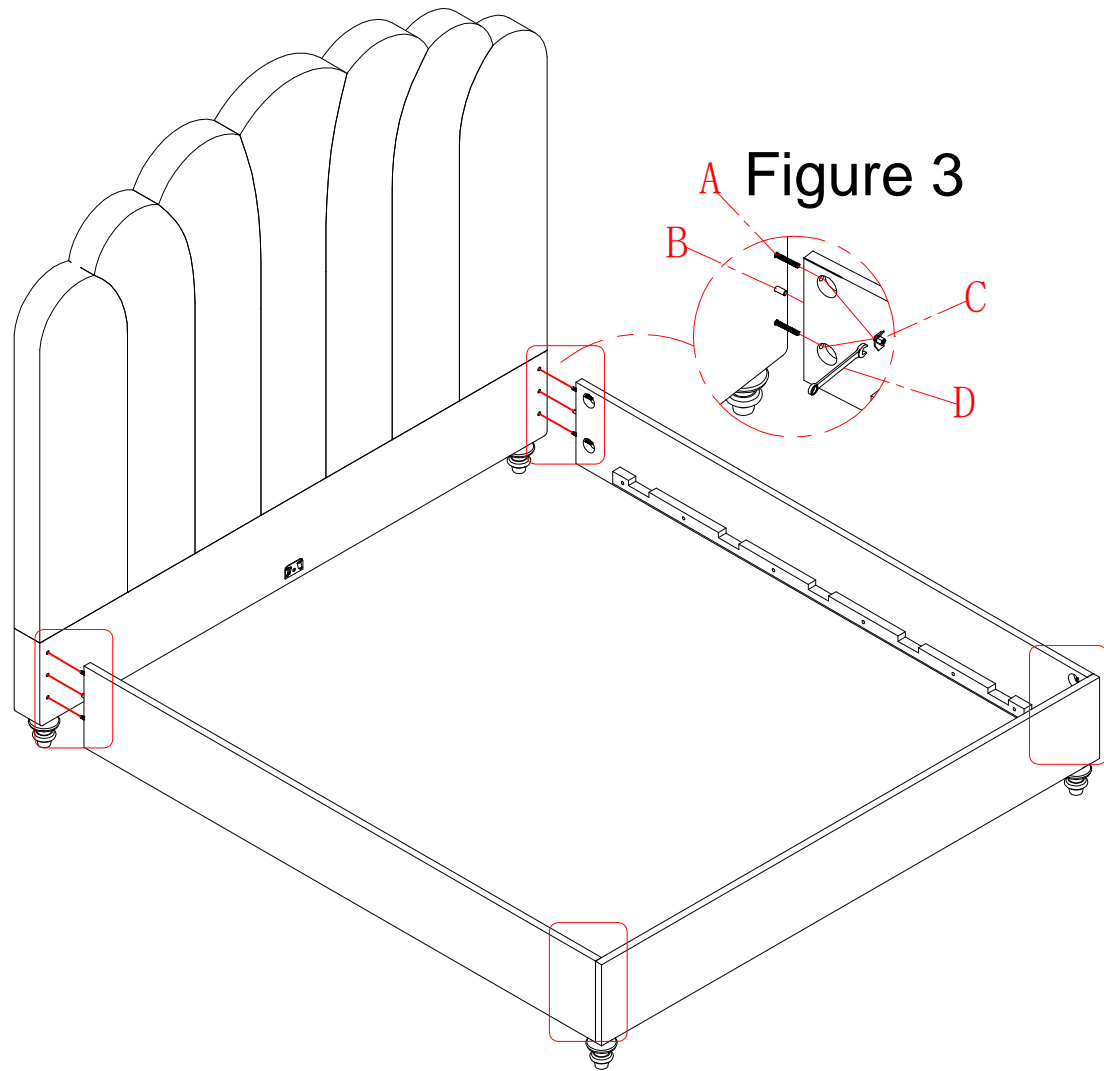
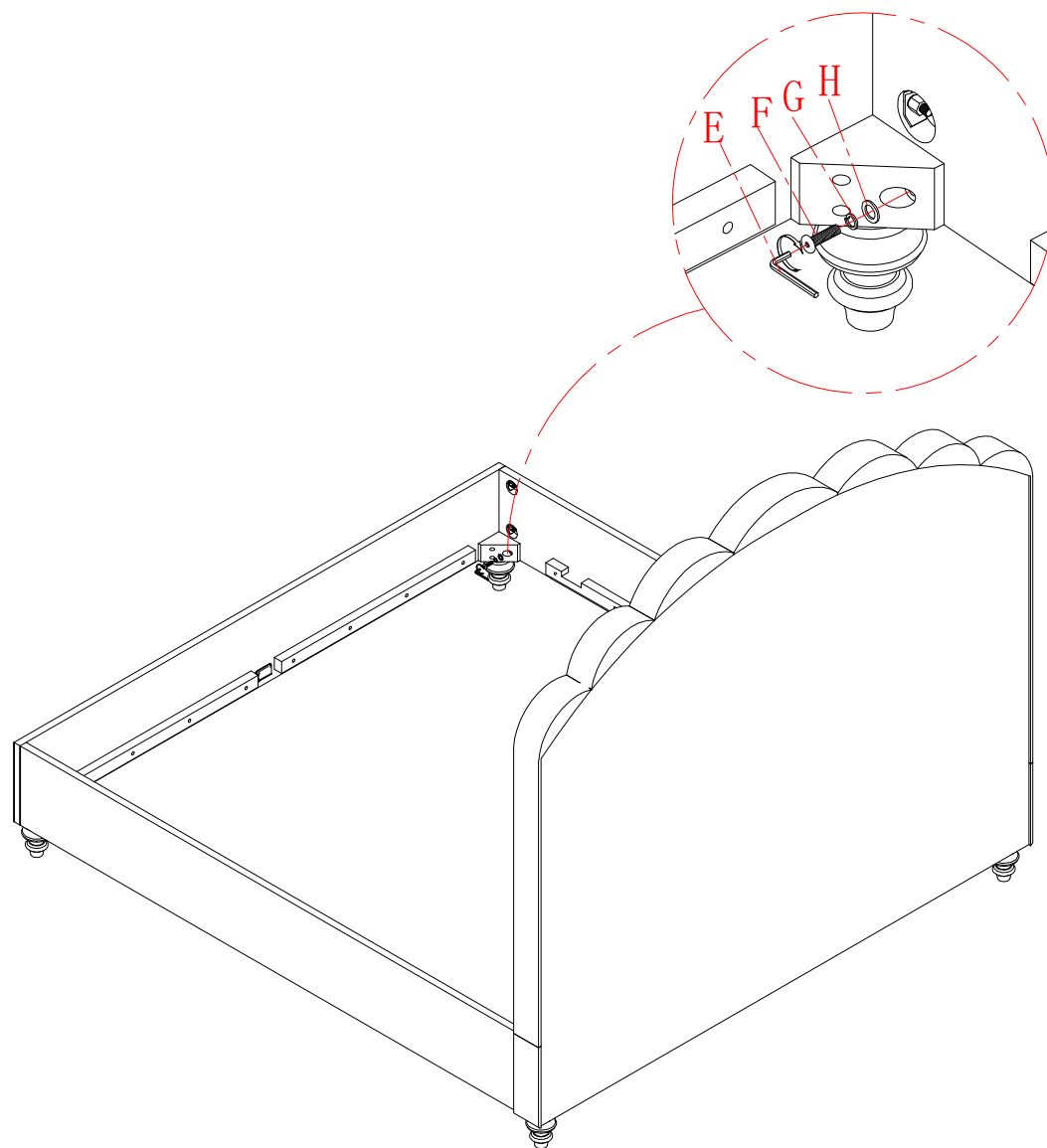


Figure 4



## ASSEMBLY INSTRUCTIONS

Item# 901-H1-007HB UPHOLSTERED BED (HEADBOARD)

Item# 901-H1-007FB UPHOLSTERED BED (FOOTBOARD & SIDERAILS)

