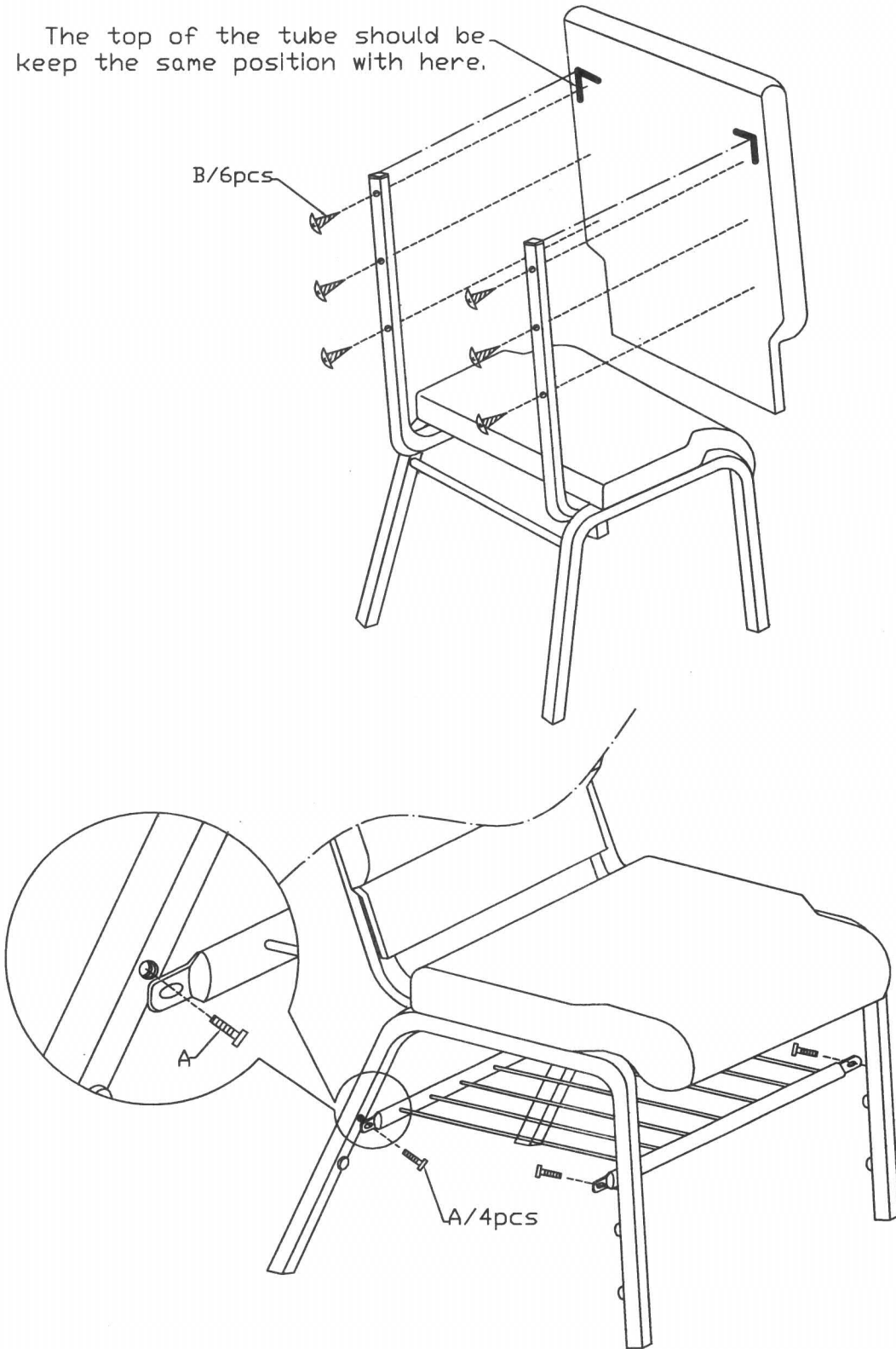




ASSEMBLY INSTRUCTION

The top of the tube should be keep the same position with here.

B/6pcs



HARDWARE LIST

A  1/4" * 12L	B  M5 * 40L
--	--