

READ AND SAVE THIS INSTRUCTIONS FOR FUTURE USE

ASSEMBLY & INSTRUCTION MANUAL

Garden Storage Cabinet

IMPORTANT-KEEP THIS INFORMATION FOR YOUR SUBSEQUENT CONSULTATION: READ CAREFULLY

Only for domestic use

Use tips:

- *Put the Storage Cabinet stably on a flat floor.
- *Stay away from open flames.
- *Avoid the overload at the anchors/structure.
- *It is recommended to protect in case of strong wind or rain and in your absence.

Precautions before assembly:



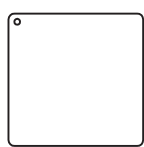
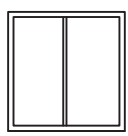
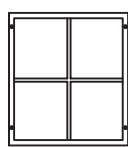
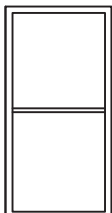
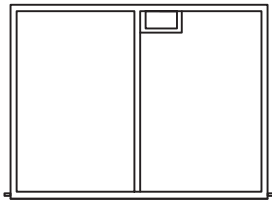
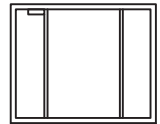
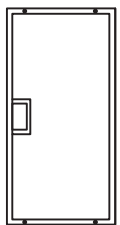

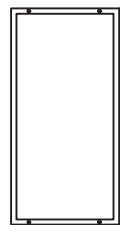
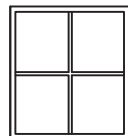
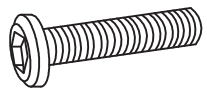

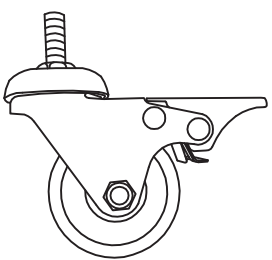
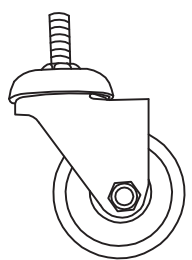


- *Prepare a clean and dry mounting area.
- *Verify that the product is not damaged.
- *Check that none of the pieces are missing.

Maintenance:

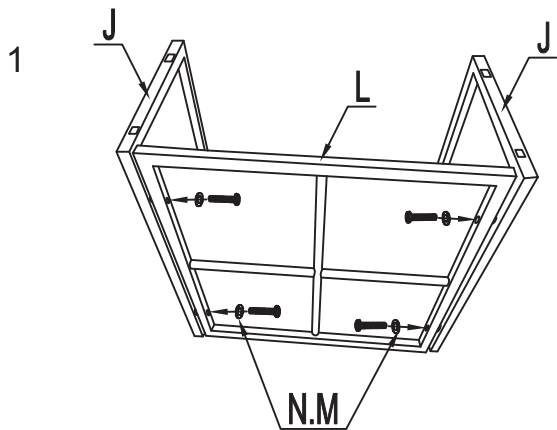
- *Clean with a soft fabric.
- *Regularly remove leaves and / or water collected on the Storage Cabinet.
- *Check the Storage Cabinet regularly.

Caution with the risks of pinching or cuts during assembly.

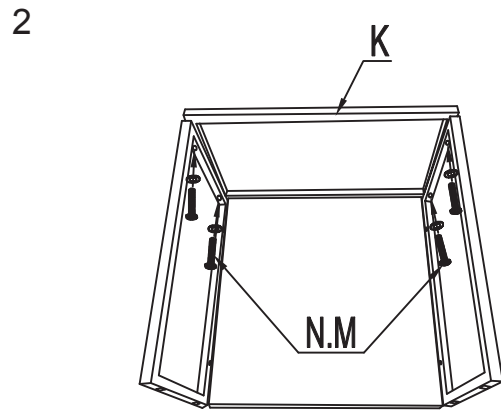
The manufacturer declines all responsibility in case of damages due to a bad installation or due to weather.

<p>(A)</p>  <p>A 1PC</p>	<p>(B)</p>  <p>B 1PC</p>	<p>(C)</p>  <p>rock-bottom panel In the polybag</p> <p>C 1PC</p>	<p>(D)</p>  <p>bottom middle shelf In the polybag</p> <p>D 1PC</p>
<p>(E)</p>  <p>storage upper top panel</p> <p>E 1PC</p>	<p>(F)</p>  <p>F 1PC</p>	<p>(G)</p>  <p>pivot door</p> <p>G 1PC</p>	<p>(H)</p>  <p>drawer bottom support w/o full weaving</p> <p>H 1PC</p>
<p>(I)</p>  <p>drawer front panel</p> <p>I 1PC</p>	<p>(J)</p>  <p>J 2PCS</p>	<p>(K)</p>  <p>drawer back panel In the polybag</p> <p>K 1PC</p>	<p>(L)</p>  <p>drawer bottom panel In the polybag</p> <p>L 1PC</p>
<p>(M)</p>  <p>M M6X35MM 32PCS</p>	<p>(N)</p>  <p>N 32PCS</p>	<p>(O)</p>  <p>O 2PCS</p>	<p>(P)</p>  <p>P 2PCS</p>
<p>(Q)</p>  <p>Q 1PC</p>	<p>(R)</p>  <p>R 1PC</p>		

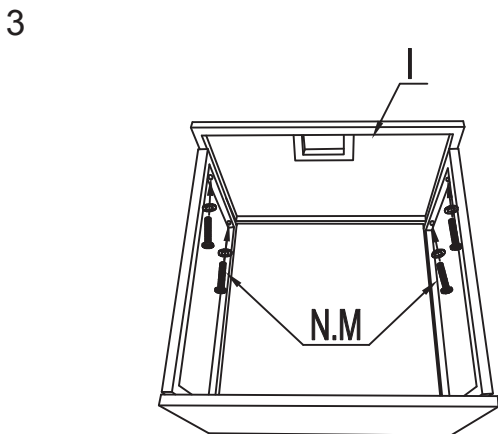
Attention : Please put washer "N" for each screw before screwing.
Do not tighten the screws until you have complete setup assembly.



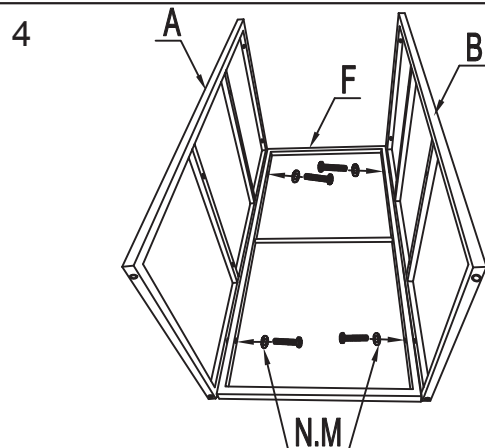
1 Please assemble the drawer firstly, drawer bottom "L" is in the polybag, use 2 screws "M" to assemble drawer bottom "L" with drawer side panel "J", same way to assemble another side panel "J", please make sure the cross support is at the back bottom.



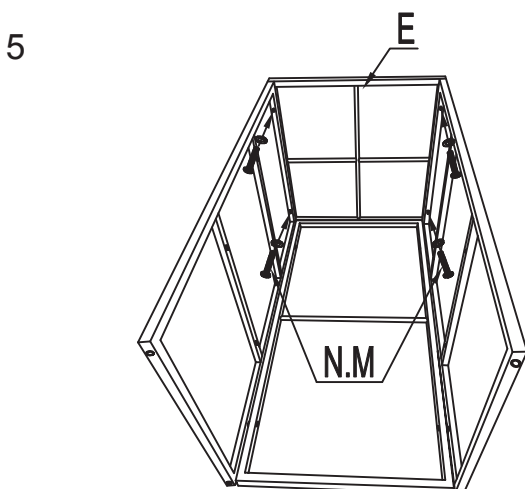
2 Use 4 screws "M" to assemble the drawer back panel "K" (in the polybag) with 2 drawer side panels "J".



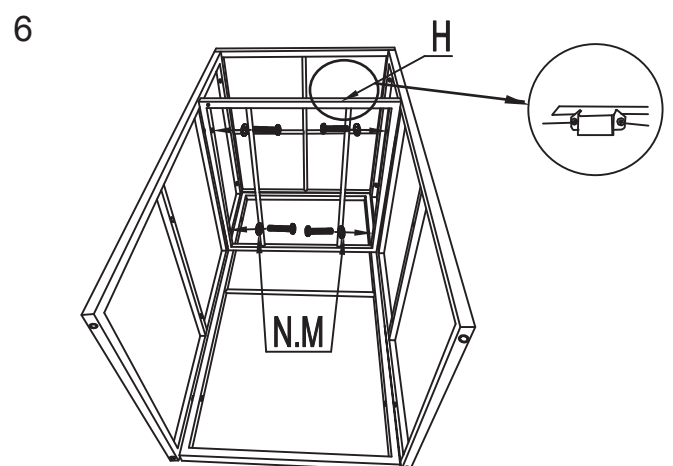
3 Use 4 screw "M" to assemble the drawer front panel "I" (with handle) with 2 side panels "J".



4 Secondly let's assemble the storage frame, Use 2 screws "M" to assemble the storage side panel "A" with storage back panel "F", same way to assemble another side panel "B" with back panel "F".

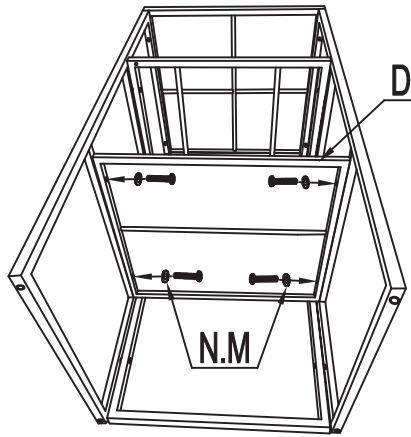


5 Use 4 screws "M" to assemble the top part "E" with 2 side panels.



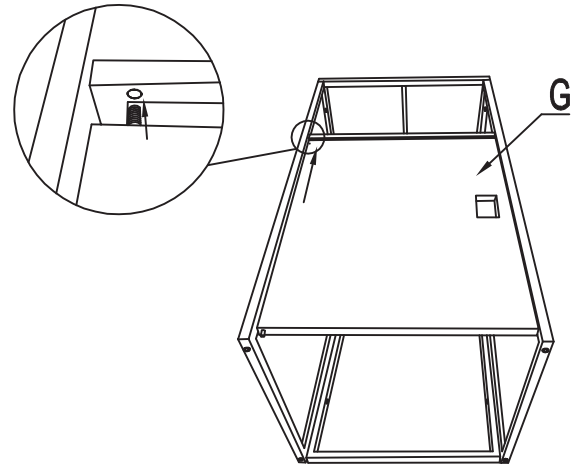
6 Use 4 screws "M" to assemble upper middle shelf "H" with 2 side panels "A" & "B". The upper middle shelf "H" with magnet panel is not the full weaving part. Please make sure the magnet is downward and ready to match the iron chip on the open-close door.

7



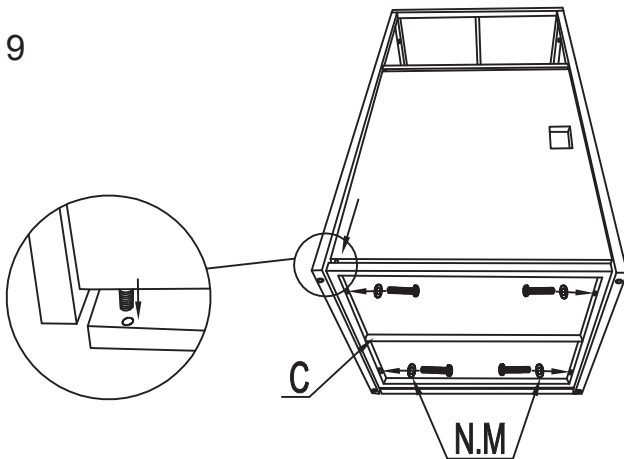
Use 4 screws "M" to assemble bottom middle shelf "D" with 2 side panels "A"&"B".

8



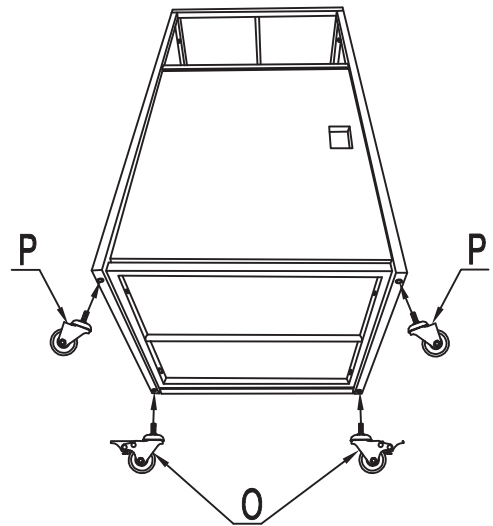
Please insert the left upper of pivot doors "G"(the part with handle and iron chip) into the hole of upper middle shelf "H"

9



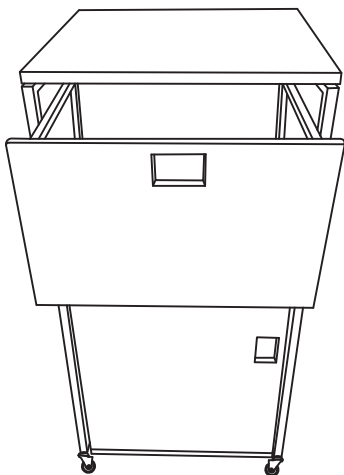
Please insert the left bottom of pivot doors "G"(the part with handle) into the hole of storage bottom "C",then use 4 screws "M" to assemble the storage bottom "C " with 2 side panels "A"&"B"

10



Screwing the 4 wheels (2 w/locking and 2 without locking).

11



Make sure the storage cabinet in horizontal, then tighten all screws.Put the drawer into the storage cabinet.

12

