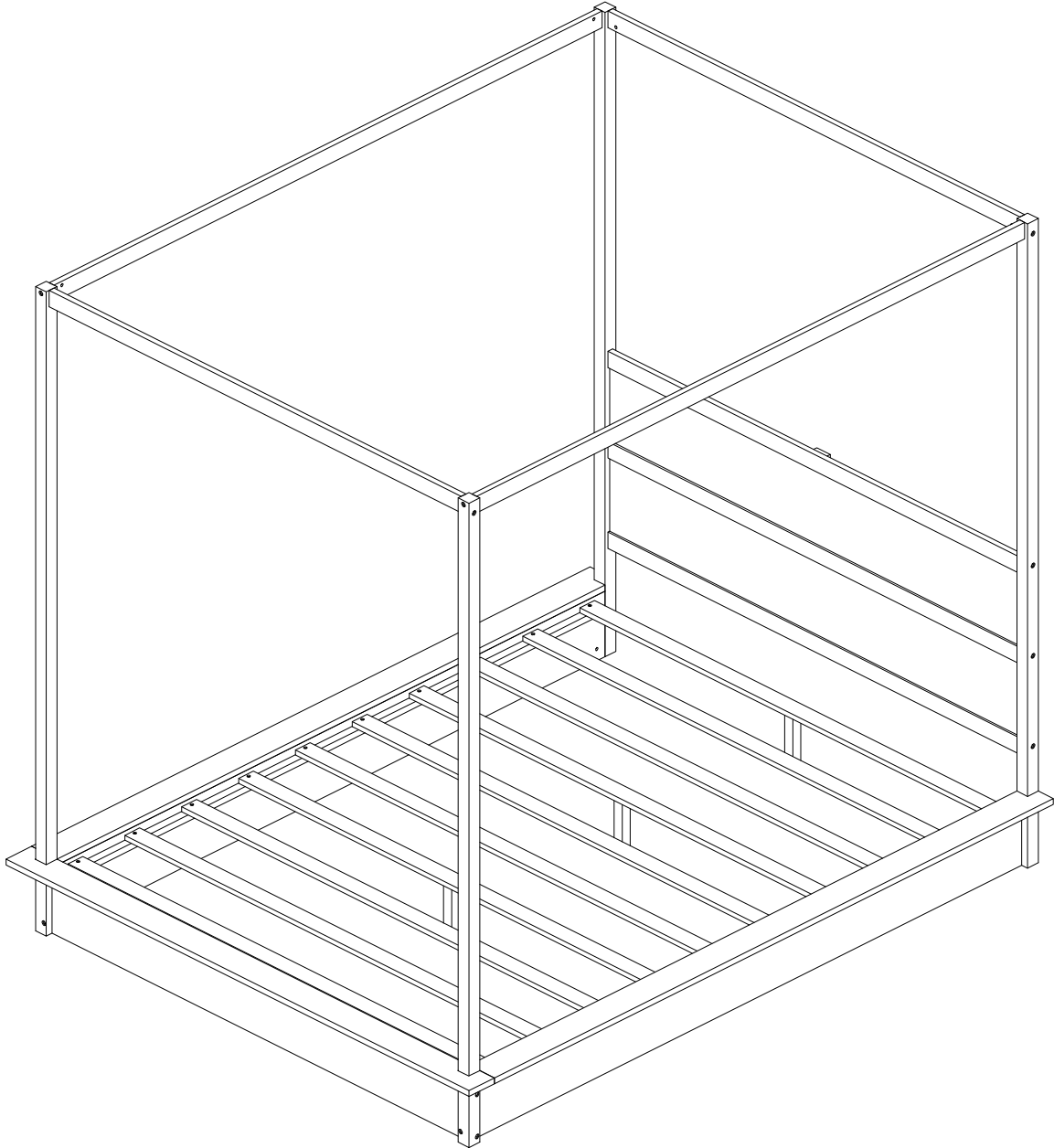
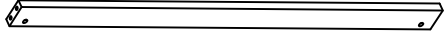



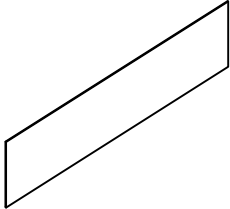
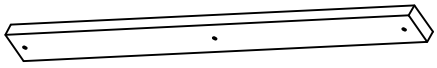
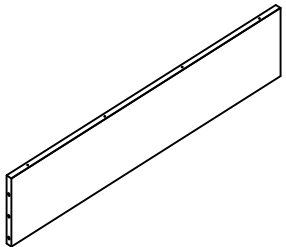
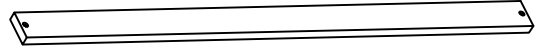


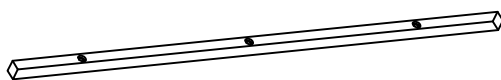


ASSEMBLY INSTRUCTION



Part List

<p>② x2</p>  <p style="text-align: center;">Top guard</p>	<p>③ x1</p>  <p style="text-align: center;">Mid guard panel</p>
<p>④ x1</p>  <p style="text-align: center;">Top guard panel</p>	<p>⑤ x1</p>  <p style="text-align: center;">Bottom guard panel</p>
<p>⑥ x2</p>  <p style="text-align: center;">Panel heaboard</p>	<p>⑦ x1</p>  <p style="text-align: center;">Connected bar</p>
<p>⑧ x1</p>  <p style="text-align: center;">Footboard</p>	<p>⑱ x6</p>  <p style="text-align: center;">Slats</p>
<p>⑲ x4</p>  <p style="text-align: center;">Support Leg</p>	<p>⑳ x4</p>  <p style="text-align: center;">Slats</p>
<p>㉒ x2</p>  <p style="text-align: center;">Wood Bar</p>	

Part List

① x2



Roof rail

⑨ x1



Top Side Rail

⑩ x1



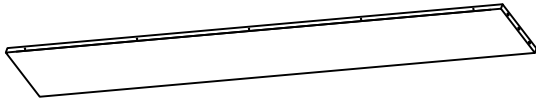
Top Side Rail

⑪ x1



Top Side Rail

⑫ x1



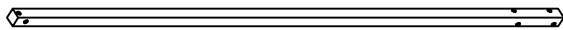
Back Side Rail

⑬ x1



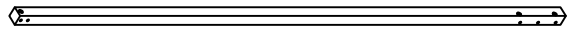
Front Side Rail

⑭ x1



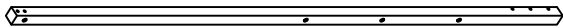
Back (left) Leg

⑮ x1



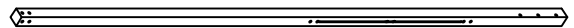
Front (left) Leg

⑯ x1



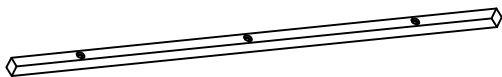
Back (right) Leg

⑰ x1



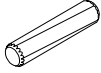
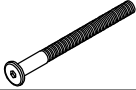
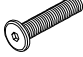


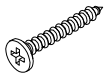



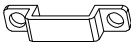

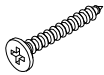
Front (right) Leg

⑳ x4

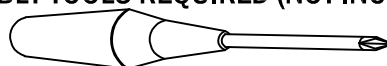


Wood Bar

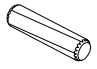



Hardware List

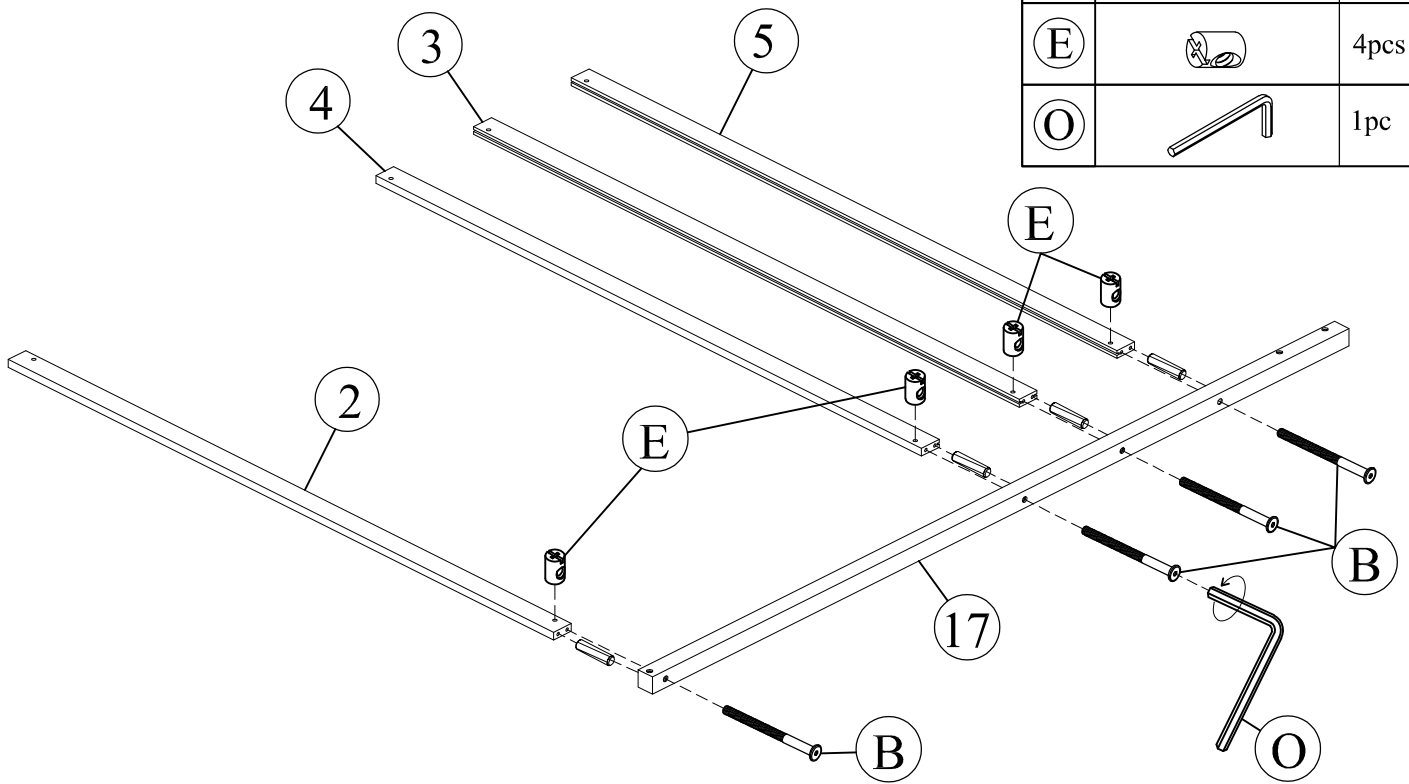
No.	OUTLOOK	DESC	QTY
(A)		Dowel Ø8*30mm	20pcs
(B)		Bolts M6*80mm	26pcs
(C)		Bolts M6*30mm	4pcs
(D)		Bolts M6*35mm	14pcs
(E)		Cross dowel M6*13mm	26pcs
(G)		Flat head screw #8*25mm	27pcs
(H)		Flat head screw #7*12mm	30pcs
(I)		Pas wood	2pcs
(K)		Led Light	1pc
(L)		Plastic brace	15pcs
(O)		Allen key 60*22*4mm	1pc
(J)		Flat head screw #8*30mm	18pcs

ASSEMBLY TOOLS REQUIRED (NOT INCLUDED)

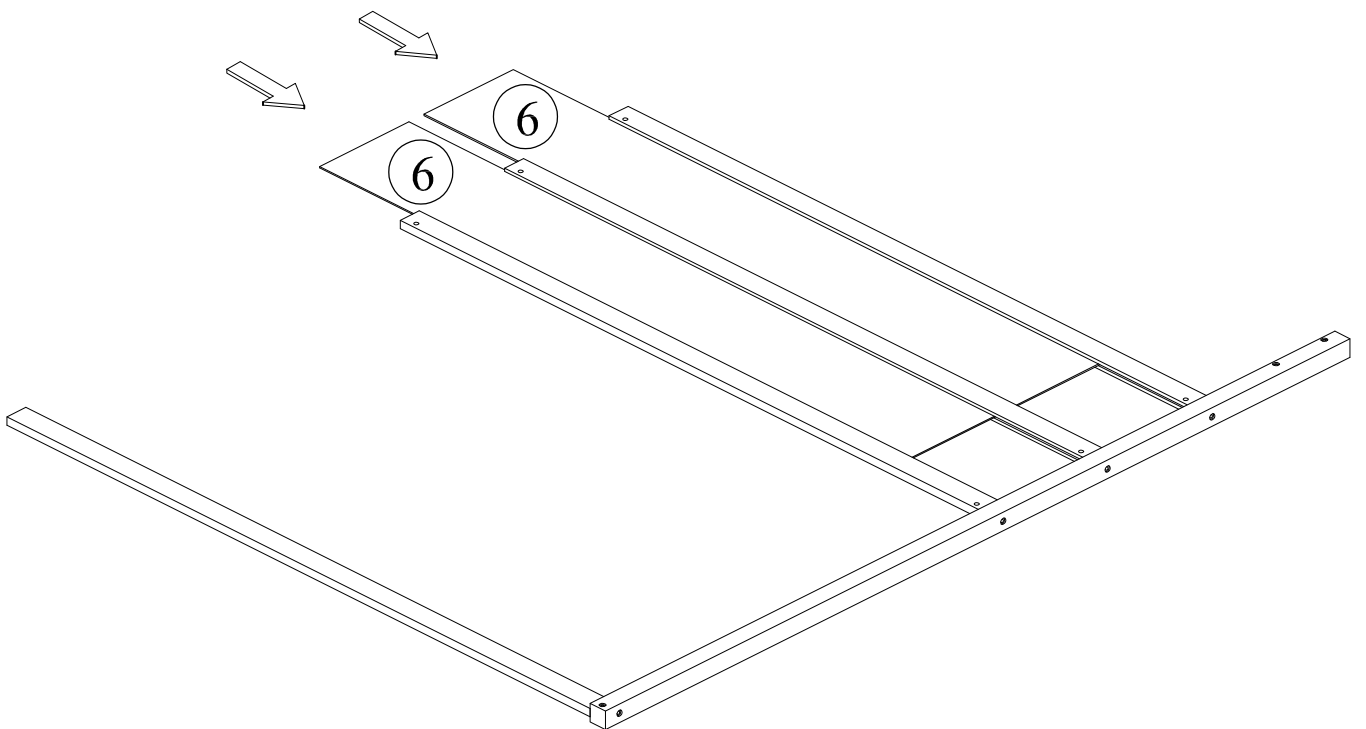


STEP 1

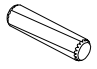



(A)		4pcs
(B)		4pcs
(E)		4pcs
(O)		1pc

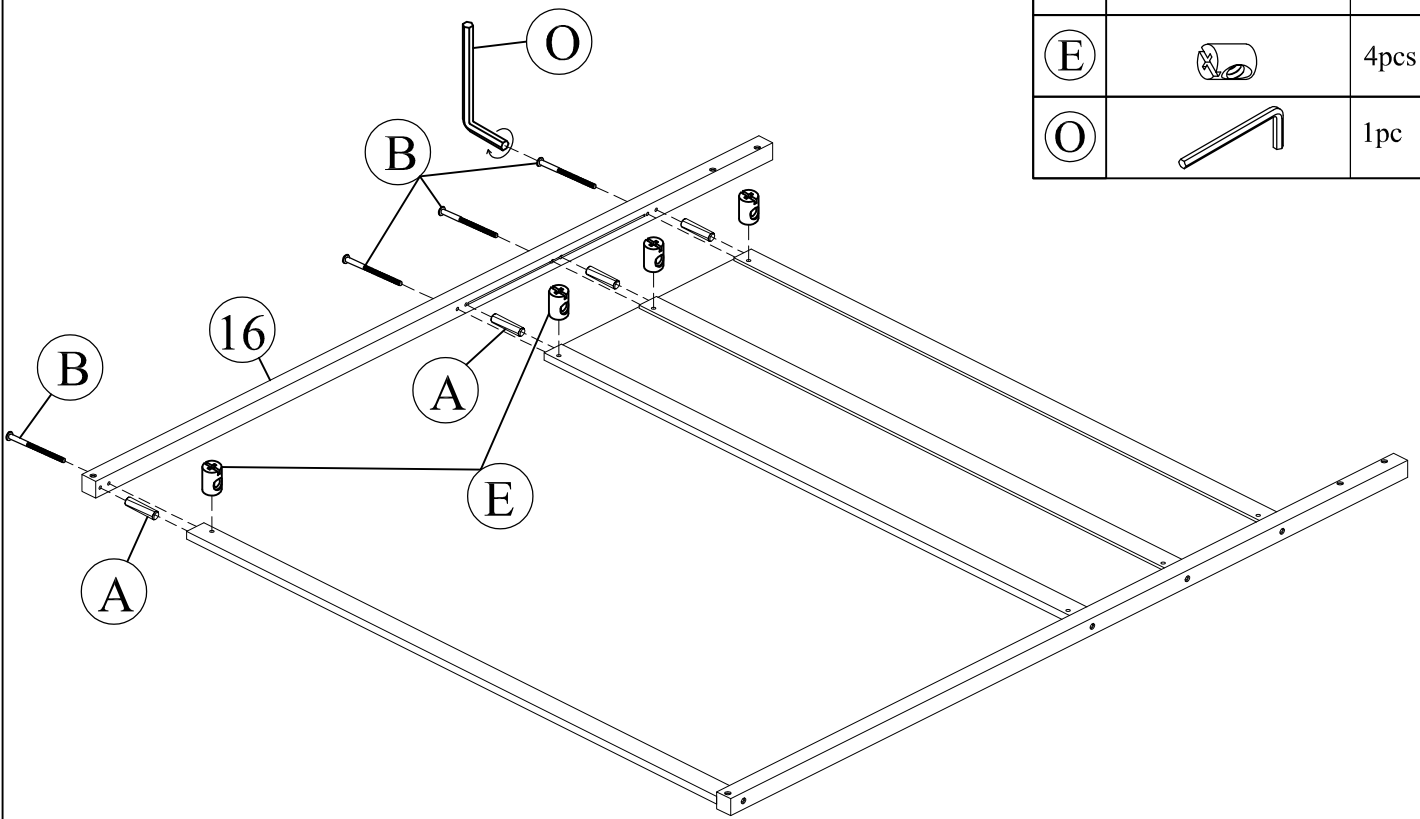


STEP 2



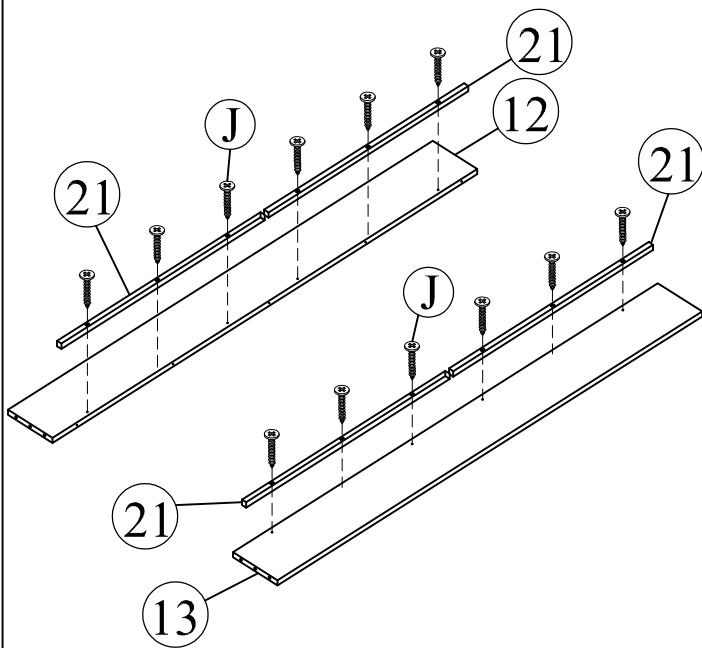
STEP 3

(A)		4pcs
(B)		4pcs
(E)		4pcs
(O)		1pc



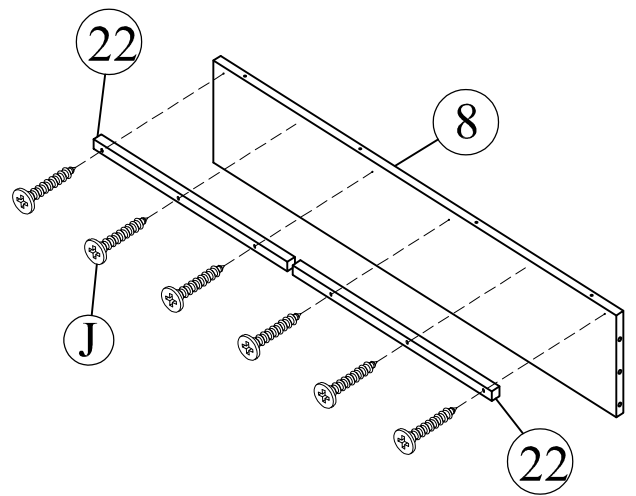
STEP 4

(J)		12pcs
-----	---	-------



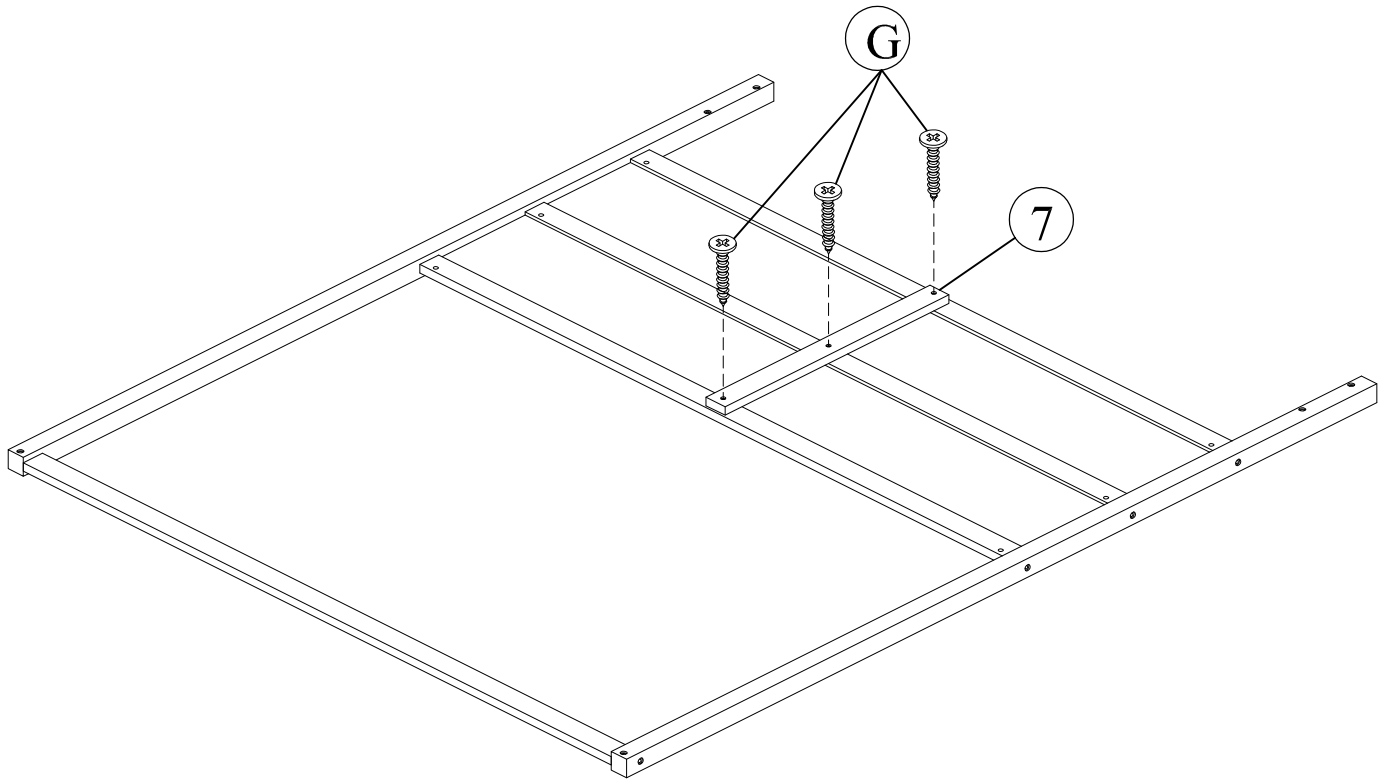
STEP 4.1

(J)		6pcs
-----	---	------

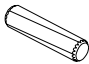





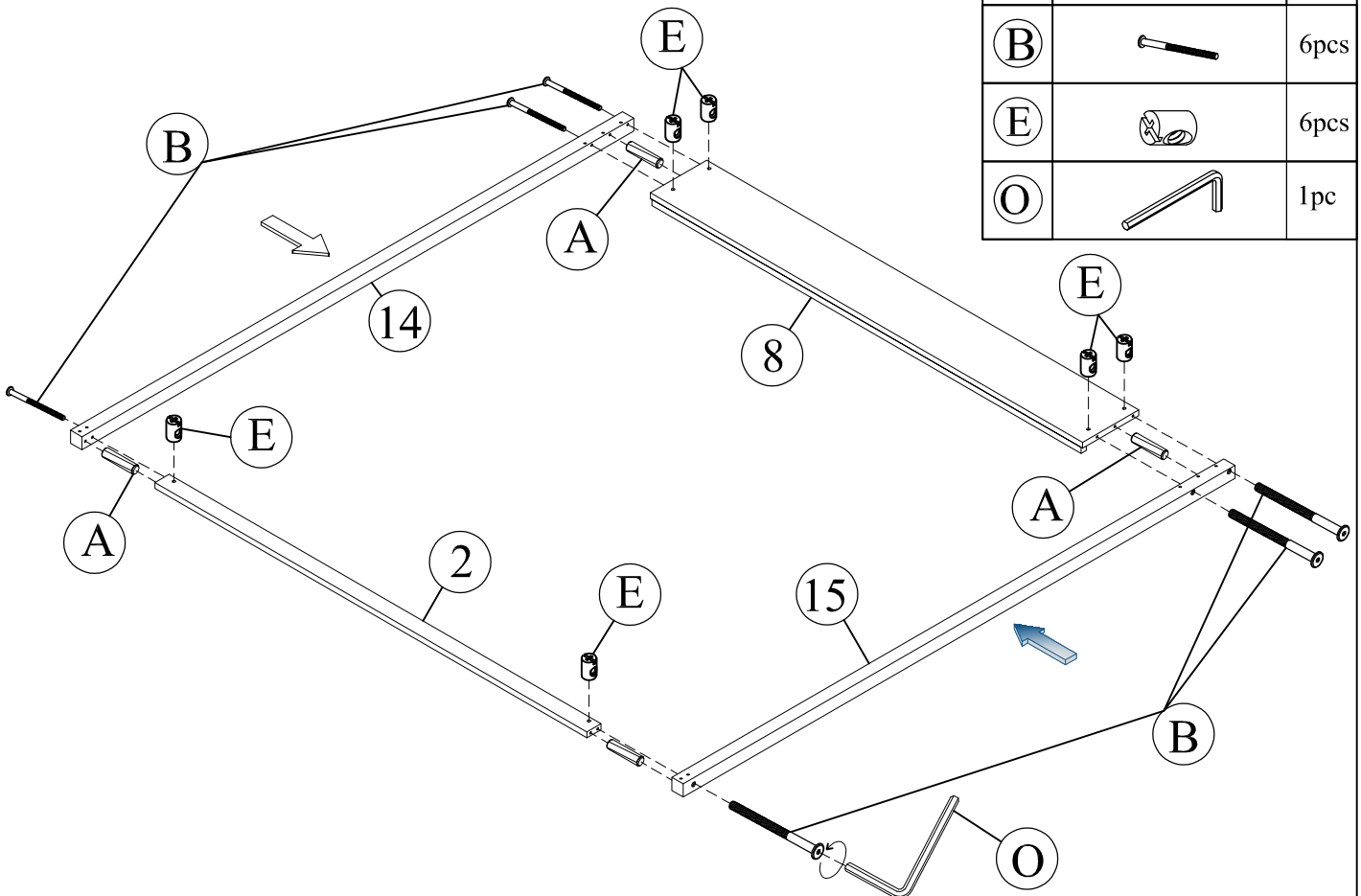
STEP 5

G		3pcs
---	---	------

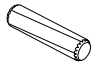





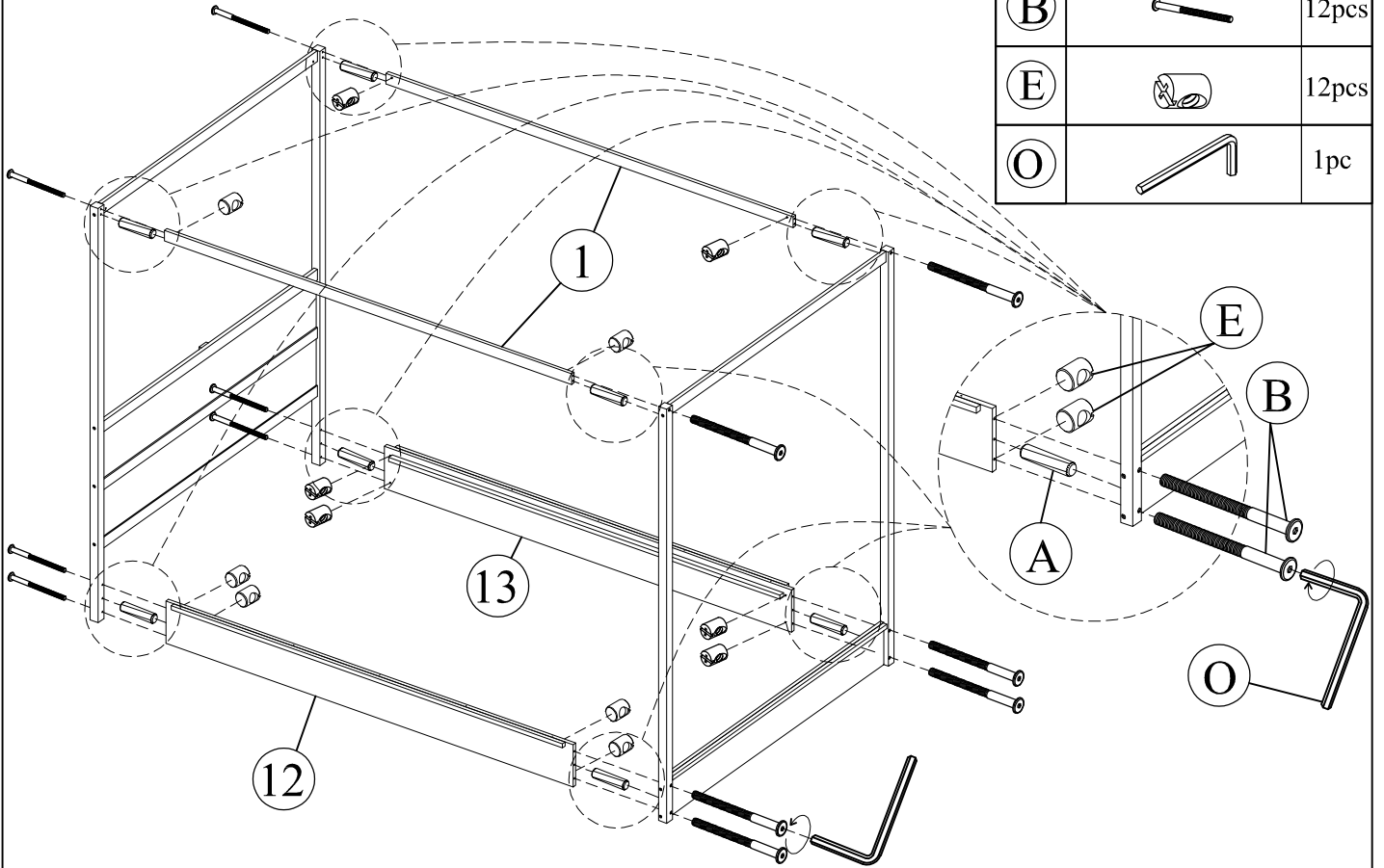
STEP 6

A		4pcs
B		6pcs
E		6pcs
O		1pc

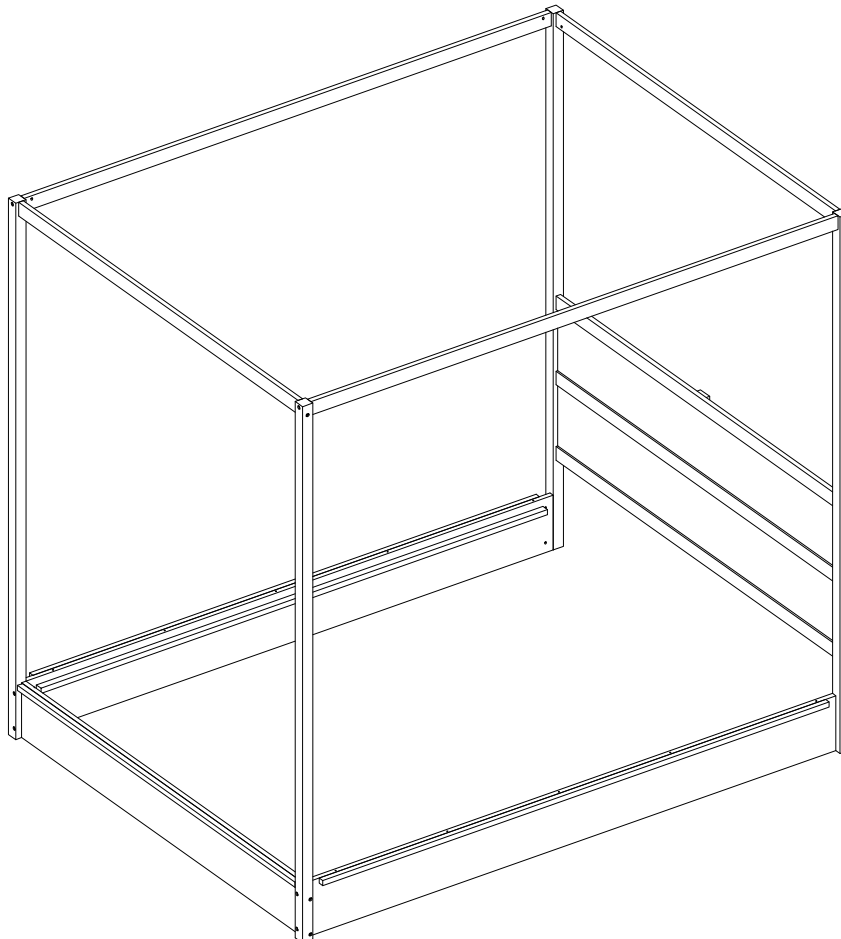


STEP 7

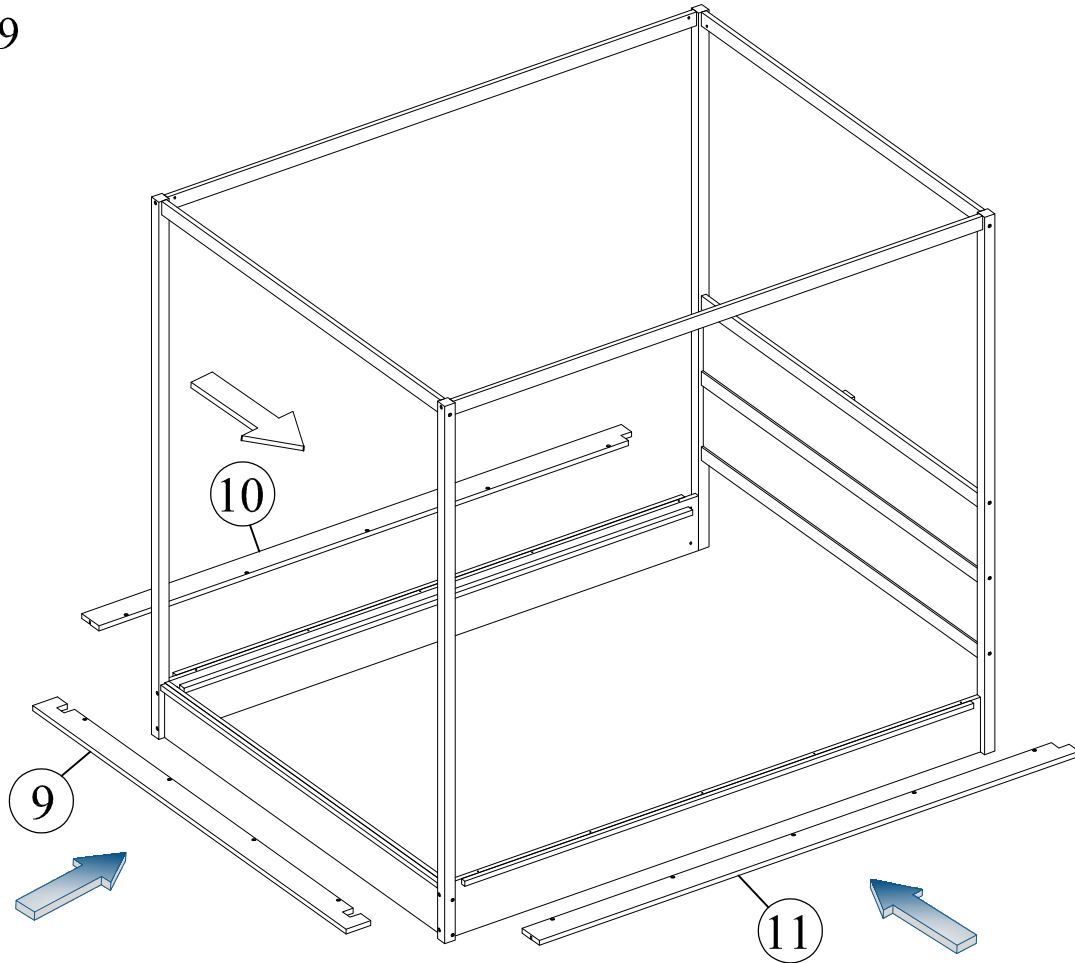
(A)		8pcs
(B)		12pcs
(E)		12pcs
(O)		1pc





STEP 8

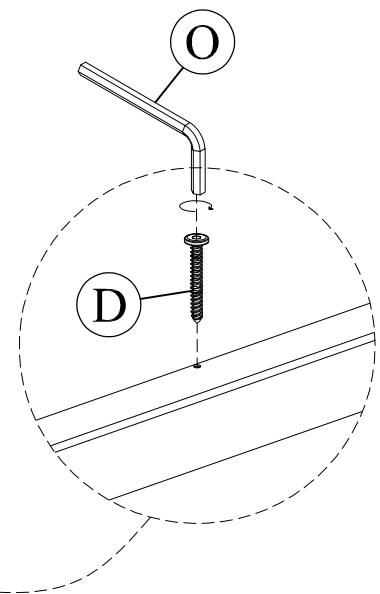
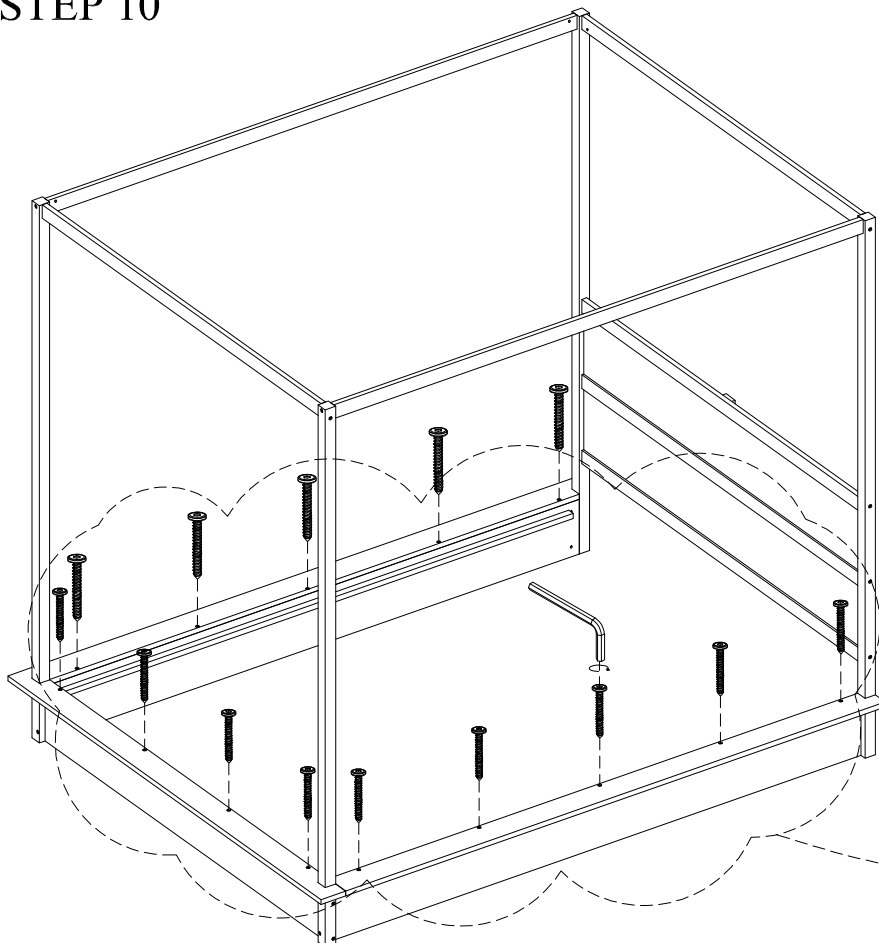


STEP 9






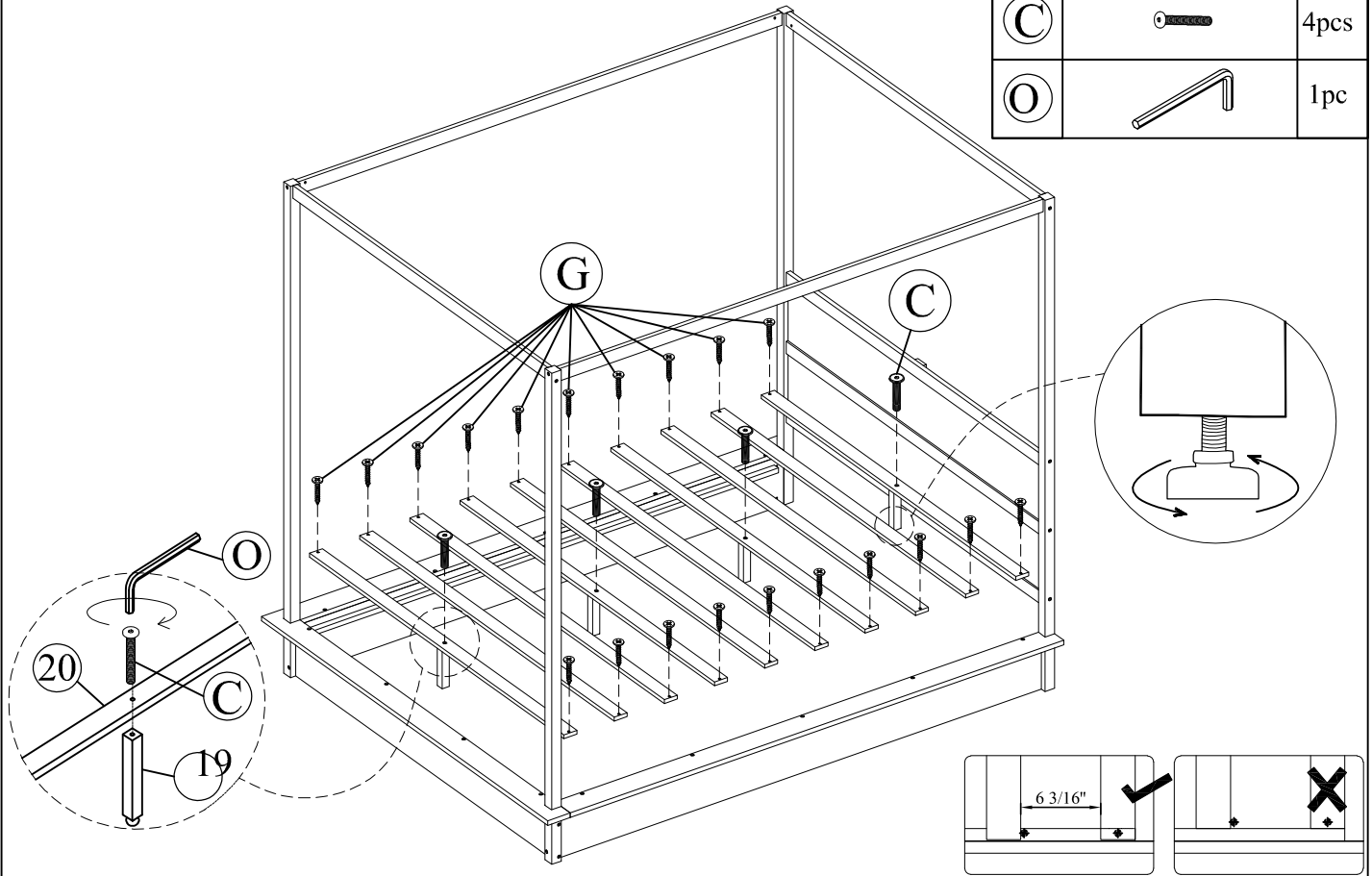
STEP 10

(D)		14pcs
(O)		1pc

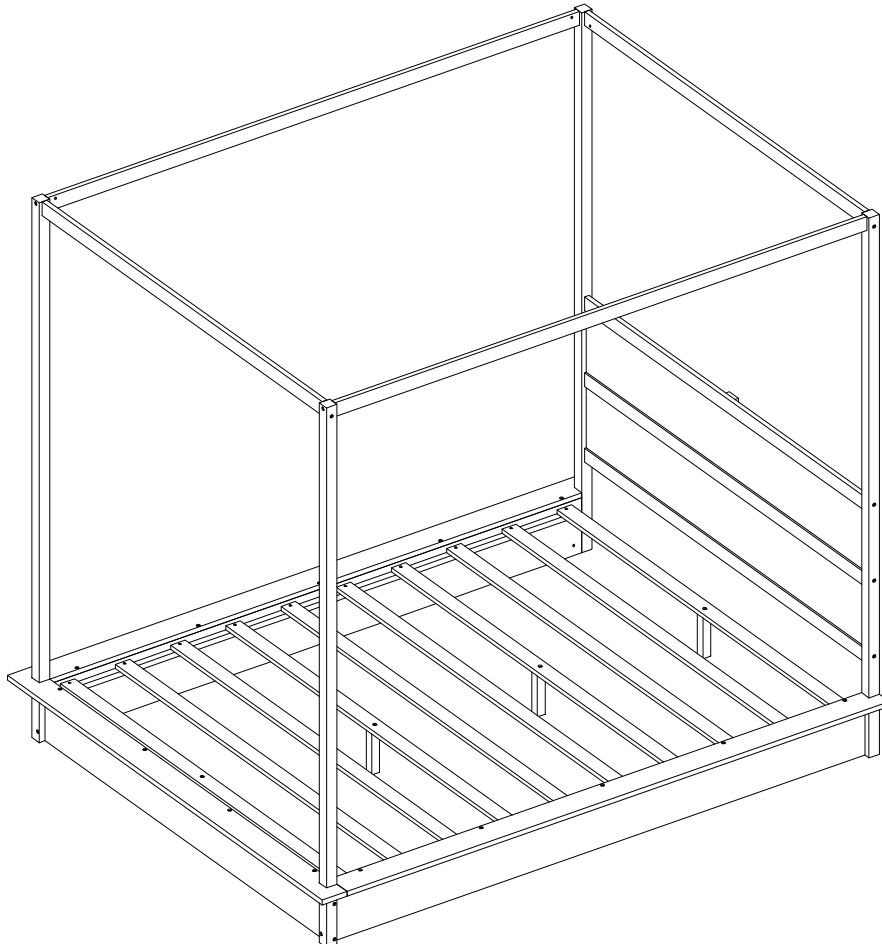


STEP 11


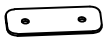
G		20pcs
C		4pcs
O		1pc

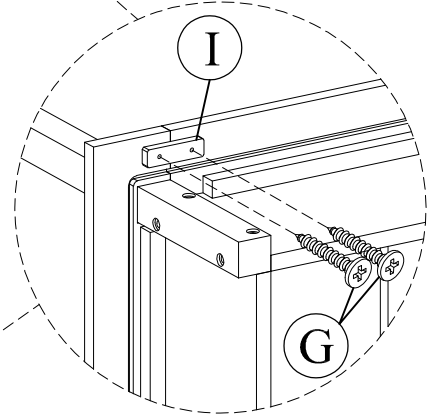
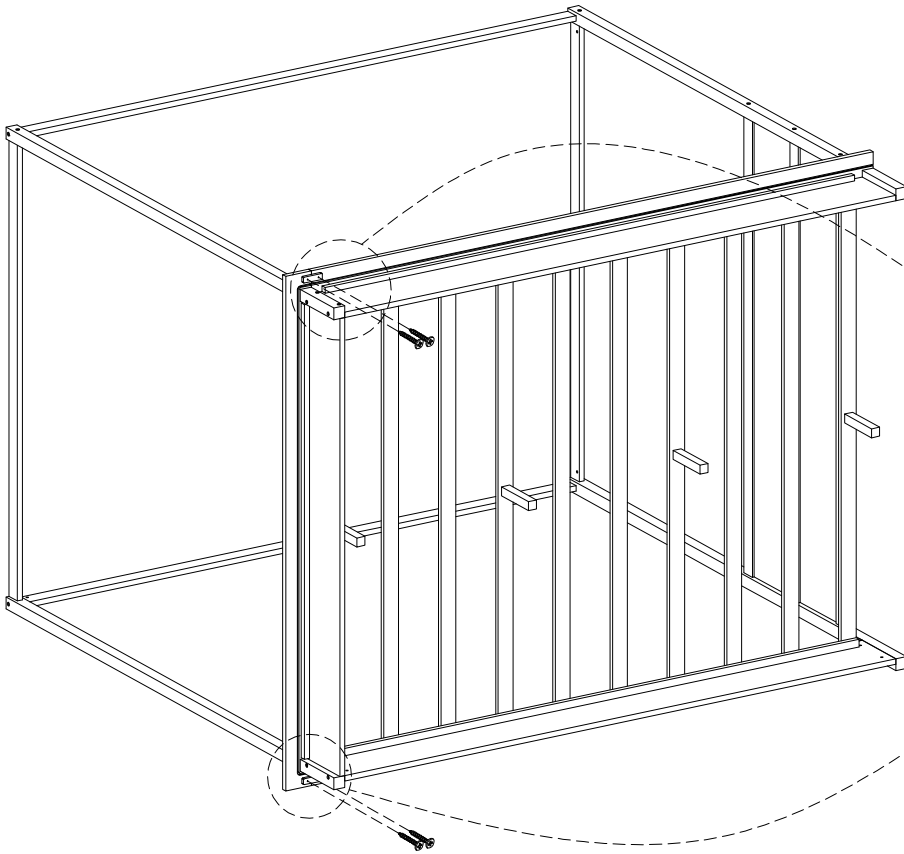


STEP 12



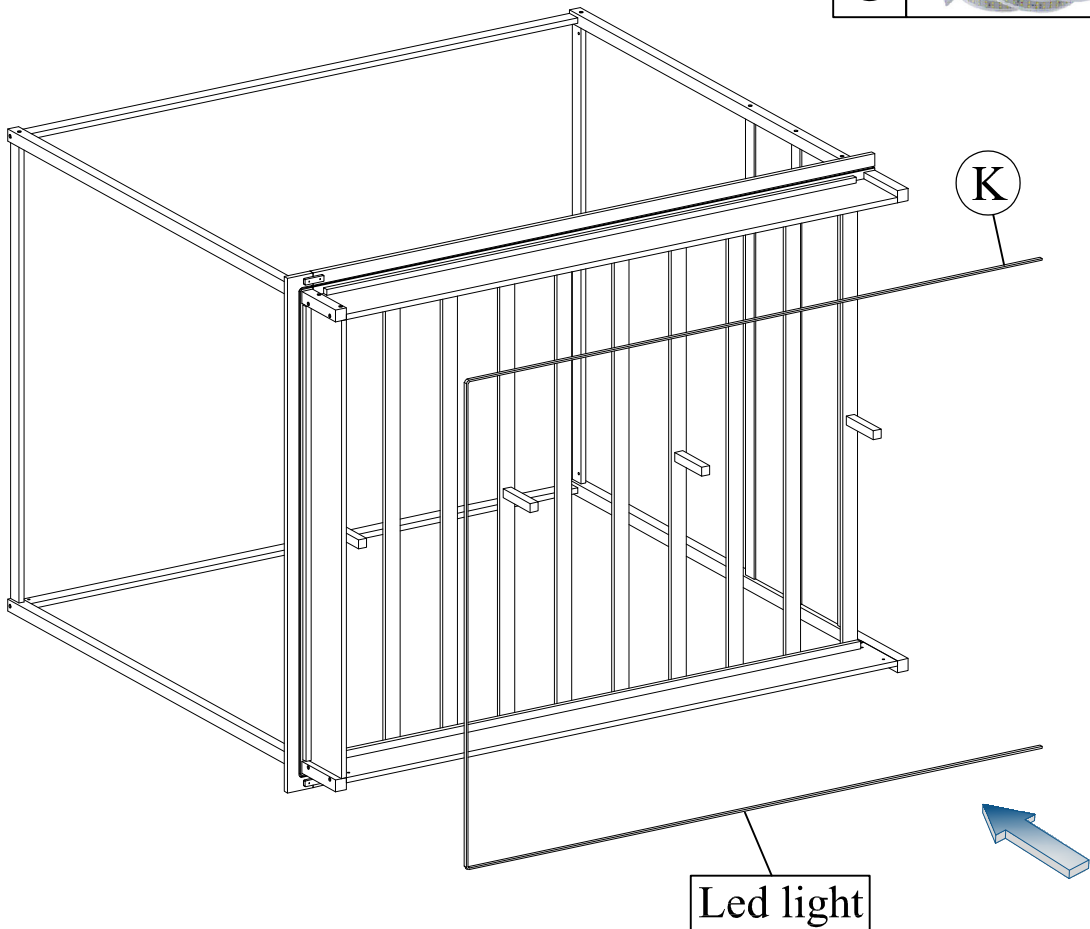
STEP 13

G		4pcs
I		2pcs





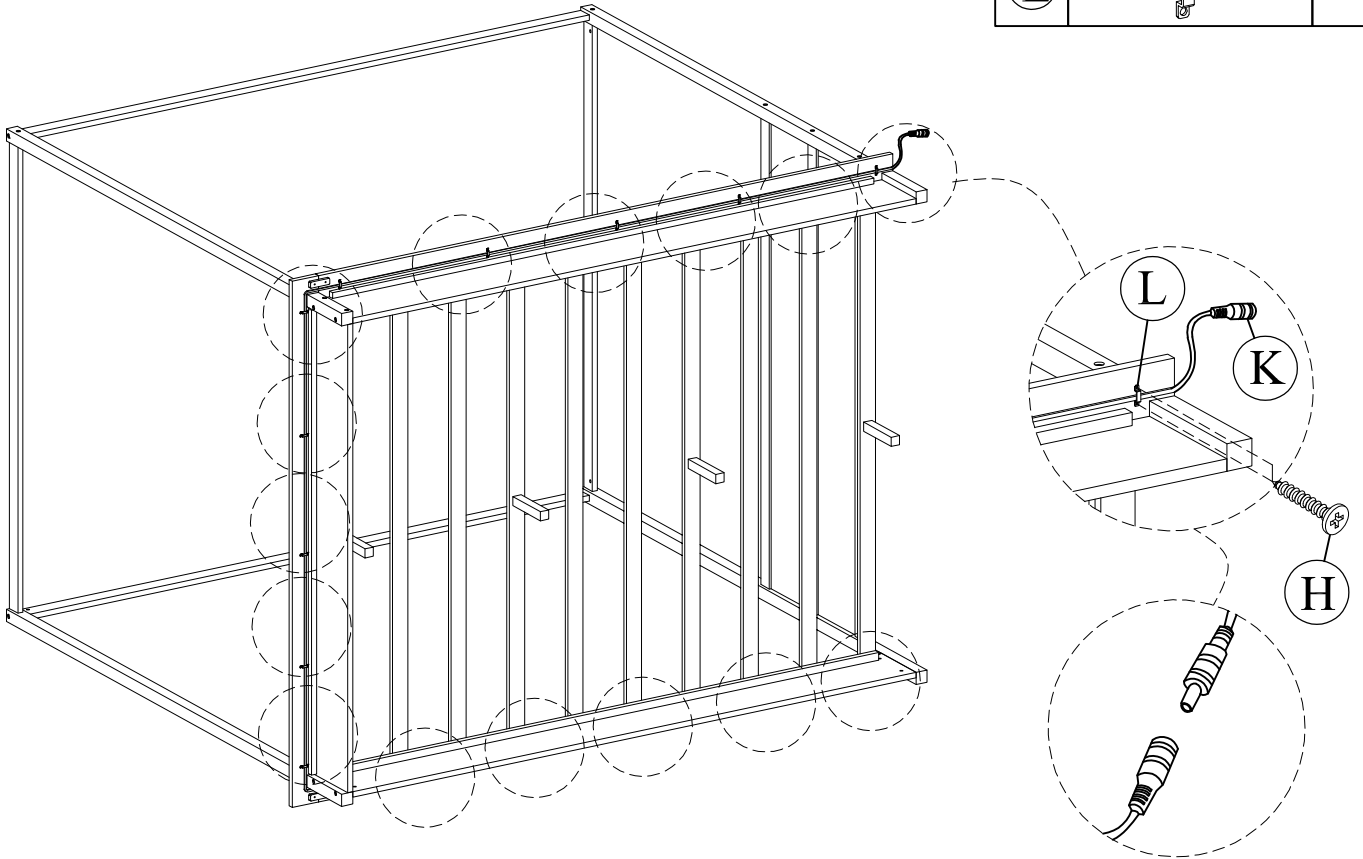
STEP 14

K		1pc
---	---	-----



STEP 15

H		30pcs
L		15pcs



FINAL

