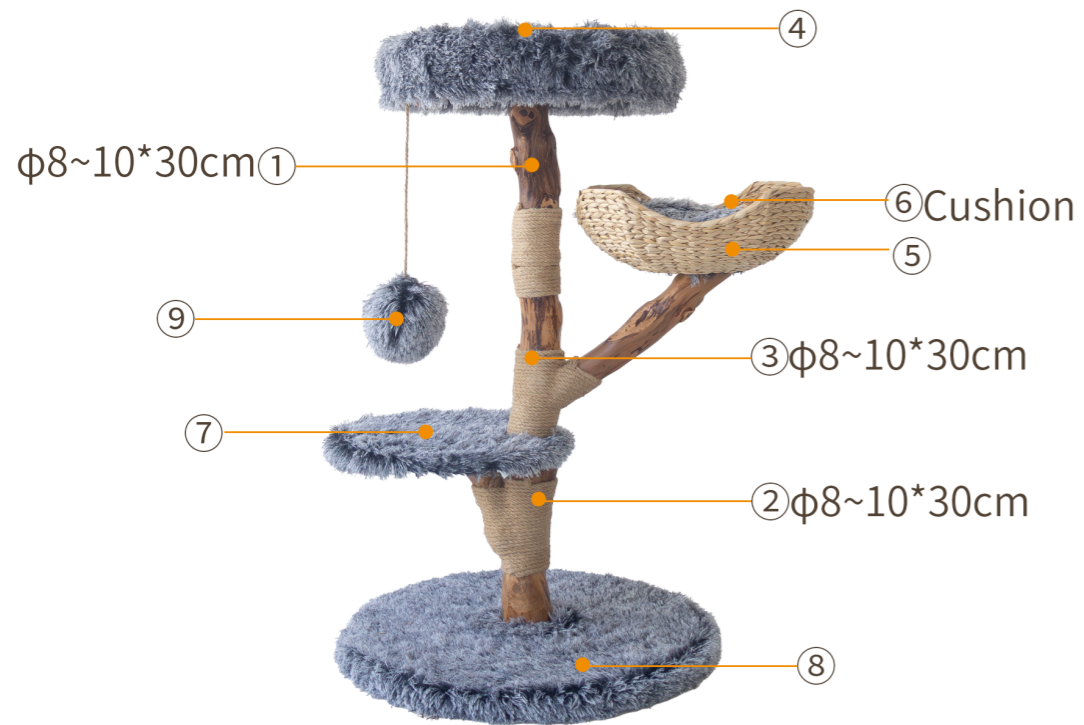


Color is only for reference




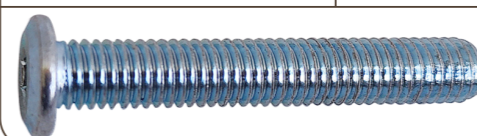


Please arrange all the parts in serial number as follows



### Component detail list

Parts	Size	Qty	S/N	Box
	φ8~10*30cm	1	①	1/1
	φ8~10*30cm	1	②	
	φ8~10*30cm	1	③	
	φ48*10cm	1	④	
	40*40*15cm	1	⑤	
	φ38cm	1	⑥	
	φ39cm	1	⑦	
	φ59cm	1	⑧	
	φ10cm	1	⑨	

### Screw list

Size	Qty	S/N	Box
φ10*80mm	2	A	1/1
			
φ10*60mm	1	B	1/1
			
φ10*35mm	1	C	1/1
			
φ35mm	1	D	1/1
			





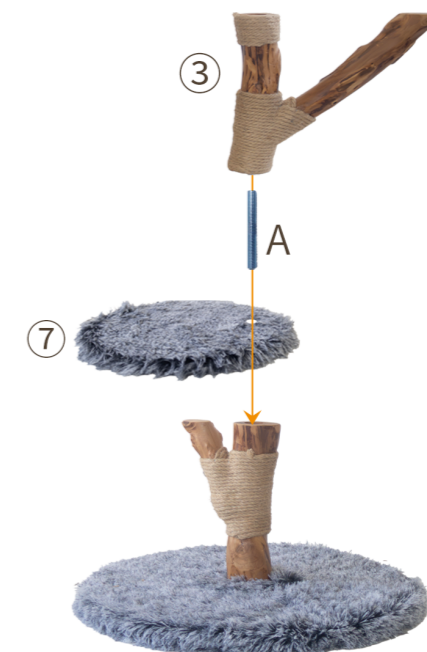
# Assembly Manual

## 1 Step1

Please follow the parts and screws in the parts bar for installation.

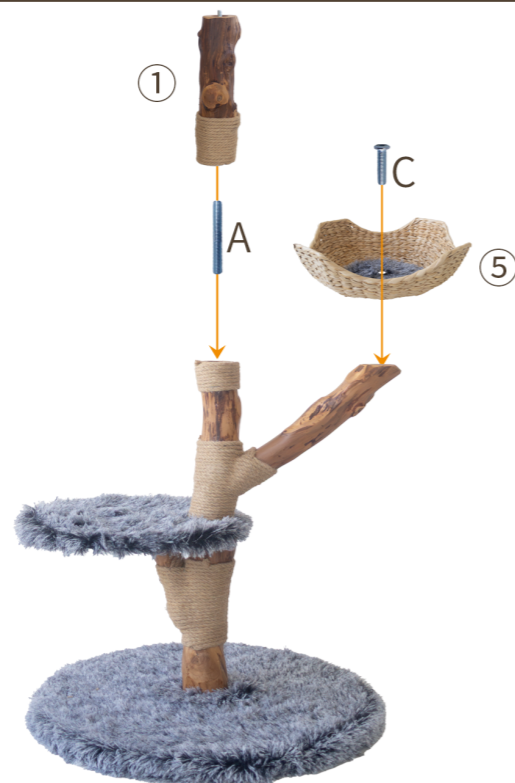


## 2 Step2



The wood is natural and of various shapes. The holes in the solid wood post may not be aligned during the assembly process, which need to swing the post from side to side, or loosen the screw half a circle to align, then lock all the screws. Sorry for the inconvenience and thanks for your understanding.

## 3 Step3



## 4 Step4



A • φ10\*80mm

B • φ10\*60mm

C • φ10\*35mm

D • φ35mm