

LED Indoor Luminaires

Lift & Shift – Semi

120-277VAC / 60Hz

Safety Precautions

- Read all safety precautions and installation instructions carefully before installing or servicing this fixture. Failure to comply with these instructions could result in potentially fatal electric shock and/or property damage.
- It is recommended that a qualified electrician perform all the wiring. This fixture must be wired in accordance with all national and local electrical codes.
- Do not handle any energized fixture or attempt to energize any fixture with wet hands or while standing on a wet or damp surface or in water.
- This fixture is designed for use in a 120-277VAC, 60Hz fused circuit. The fixture is compatible with Triac (forward-phase or leading edge) / ELV (reverse phase or trailing edge) and 0-10 V dimmers.
- Make sure that the power source conforms to the requirements of the fixture. (See labels on the fixture housing).
- To reduce the risk of electrical shock, and to assure proper operation, this fixture must be adequately grounded. To accomplish proper grounding, there must be a separate ground wire (green) contact between this fixture and the ground connection of your main power supply panel.
- This fixture is intended to be used for general indoor lighting in dry or damp locations.
- Disclaimer

Changes or modifications not expressly approved by the party responsible for compliance could void the user's authority to operate the equipment. NOTE: This equipment has been tested and found to comply with the limits for a Class B digital device, pursuant to Part 15 of the FCC Rules and Canadian ICES-005 (B) / NMB-005 (B). These limits are designed to provide reasonable protection against harmful interference in a residential installation. This equipment generates, uses and can radiate radio frequency energy and, if not installed and used in accordance with the instructions, may cause harmful interference to radio communications. However, there is no guarantee that interference will not occur in a particular installation. If this equipment does cause harmful interference to radio or television reception, which can be determined by turning the equipment off and on, the user is encouraged to try to correct the interference by one or more of the following measures:

- Reorient or relocate the receiver antenna.
- Increase the separation between the equipment and receiver.
- Connect the equipment into an outlet on a circuit different from that to which the receiver is connected.
- Consult with the dealer or an experienced radio/TV technician for help.

Any modifications to this fixture may void the warranty and interfere with the safe operation of the luminaire.

Operation is subject to the following two conditions: (1) this device may not cause interference, and (2) this device must accept any interference, including interference that may cause undesired operation of the device.

Assembly Instructions

Step 1 – Preparing for Installation (Fig 1)

- Disconnect electrical power at the fuse or circuit breaker box before installing or servicing any part of this fixture.
- Carefully remove the fixture and parts bag from the carton.
- Remove components from the parts bag.
- Thread the nipple (4) into the stem (3) with one full turn clockwise then insert it to the canopy (2) using lockwasher (5) and jam nut (6) to secure it. Repeat until all three stems are installed and secured onto both top and bottom canopies (2).
- Connect the fixture (1) wires to corresponding green, white, black, pink (or grey) and purple on the bottom canopy (2) using included wire nuts to secure it.
- Install the long screws (9) to the outer mounting hole of the fixture pan (1) with flat washer (8) and nut (7) to secure it. Repeat until other screws are installed on the pan.
- Install bottom canopy (2) to the fixture (1) by aligning two holes on the top with screws (9) using barrel nuts (10) to secure it.
- Install mounting bracket (13) to the 3/0 or 4/0 junction box (not included) by using two screws (12) to secure it. Thread the nipple (14) into the mounting until only 1-1/8 inch protrudes toward the fixture.

Wiring – All wiring must take place inside the junction box (not included)

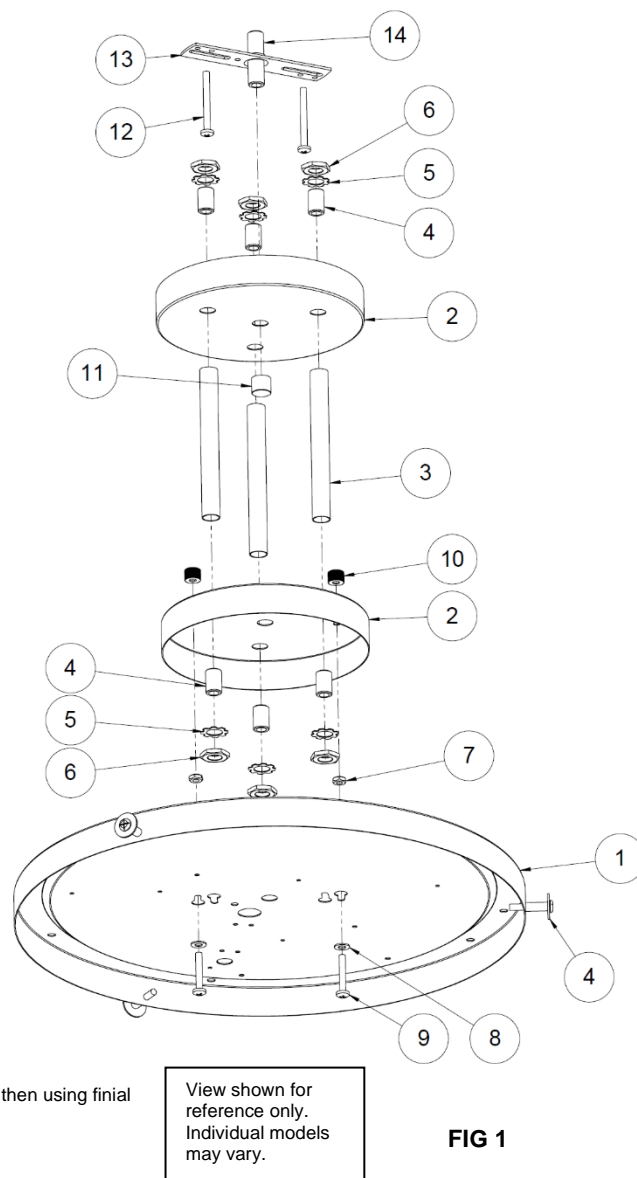
Caution: Make sure power is off at the fuse or circuit breaker box. Check power wires for damage or scrapes. If the power supply wires are within three inches of the LED driver, use a wire suitable for at least 90°C (194°F). **Note:** Most dwellings built before 1985 have supply wire rated to 60°C. Consult a qualified electrician to ensure correct branch circuit conductor before installing.

Step 2 – Wiring Fixture

- Make all wire connections to appropriate wire. Secure with wire nuts (provided).
- Connect the green wire from the fixture to the supply power source ground wire.
- For NEC (National Electrical Code) requirements, cut the wire about 7" above the canopy (4) and then strip 3/8" from the ends of the four color coded wires.
- For non-dimming.** Connect the white wire from the fixture to the white (N) wire from the supply power source. Connect the black wire from the fixture to the black (L) wire from the supply power source. Pink and purple wires are not to be used and must be individually capped to prevent shorting.
- For TRIAC dimming.** Connect the white wire from the fixture to the neutral (N) wire from the dimmer supply power source per dimmer wiring instructions. Connect the black wire from the fixture to the control line (L) wire from the dimmer supply power source per dimmer wiring instructions. Pink and purple wires are not to be used and must be individually capped to prevent shorting.
- For (0-10V) dimming.** Connect the pink wire from the fixture to the dimmer source pink or gray wire. Connect purple wire from the fixture to the dimmer source purple wire. Connect the white wire from the fixture to white (N) wire from the dimmer supply power source. Connect the black wire from the fixture to the black (L) wire from the dimmer supply power source.
- Do not mix wires.** Pull on each wire lead to make sure connections are secure. Make certain no bare wires are exposed outside of wire connectors. Tuck all connections neatly into junction box.

Step 3 – Mounting Fixture

- Install fixture assembly to the ceiling by aligning center hole of the canopy with the nipple (14) then using finial (11) to secure it.



LED Indoor Luminaires

Lift & Shift – Semi

120-277VAC / 60Hz

Step 4 – Color Changing Temperature Adjustment, CCT (if desired).

- A. Adjust the CCT switch to the desired color temperature of 2700K, 3000K, 3500K, 4000K and 5000K as seen below. **Note:** Fixture is preset to 3000K from factory.

• 2700K
• 3000K
• 3500K
• 4000K
• 5000K

Step 5 – Mounting Diffuser (Fig 2)

- A. The diffuser has three notches in its upper flange. Align these large notches with the shade mounting support (4) on the outside of the ceiling pan, and push the diffuser up slightly past the mounting support.
- B. Rotate the diffuser clockwise or counterclockwise until the mounting support (4) rest within each diffuser slot. Note: all 3 mounting supports must be inside the shade slot.
- C. Twist slightly to ensure proper engagement.

Step 6 – Restore power at the fuse or circuit breaker box

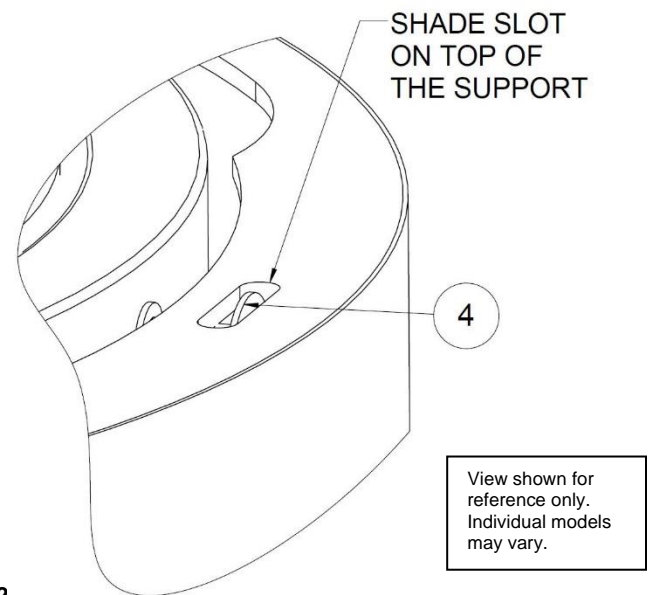


FIG 2

Your shades may look different from the illustrations shown.

Limited Factory Warranty

We hereby warrant that this fixture is free from defects in materials and workmanship when installed and used under normal operating conditions for a period of 5 years from date of purchase. This warranty covers all component parts and extends only to replacement of defective fixture or components; it does not cover failure due to improper installation, misuse, mishandling or damage incurred in transit.