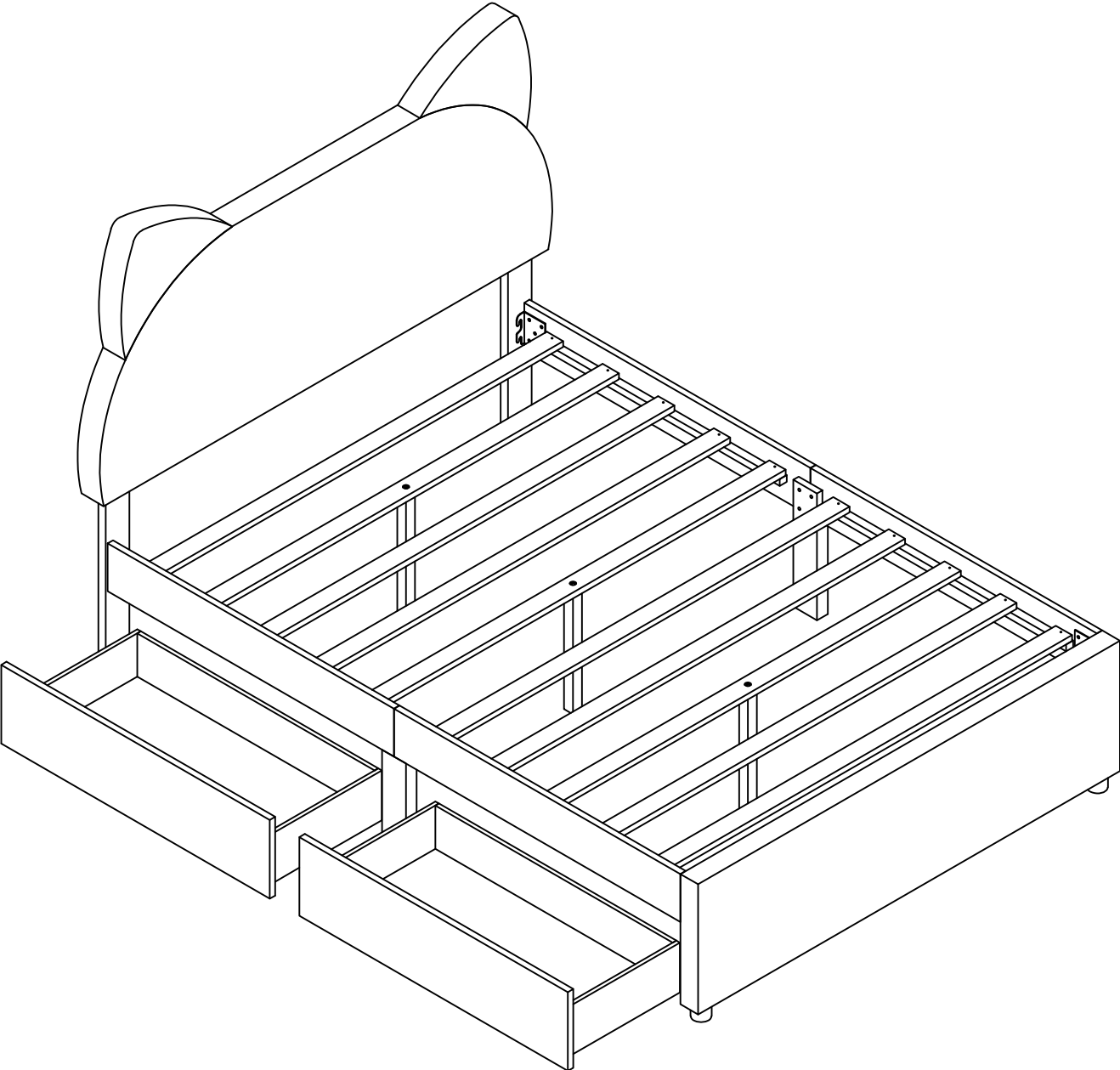
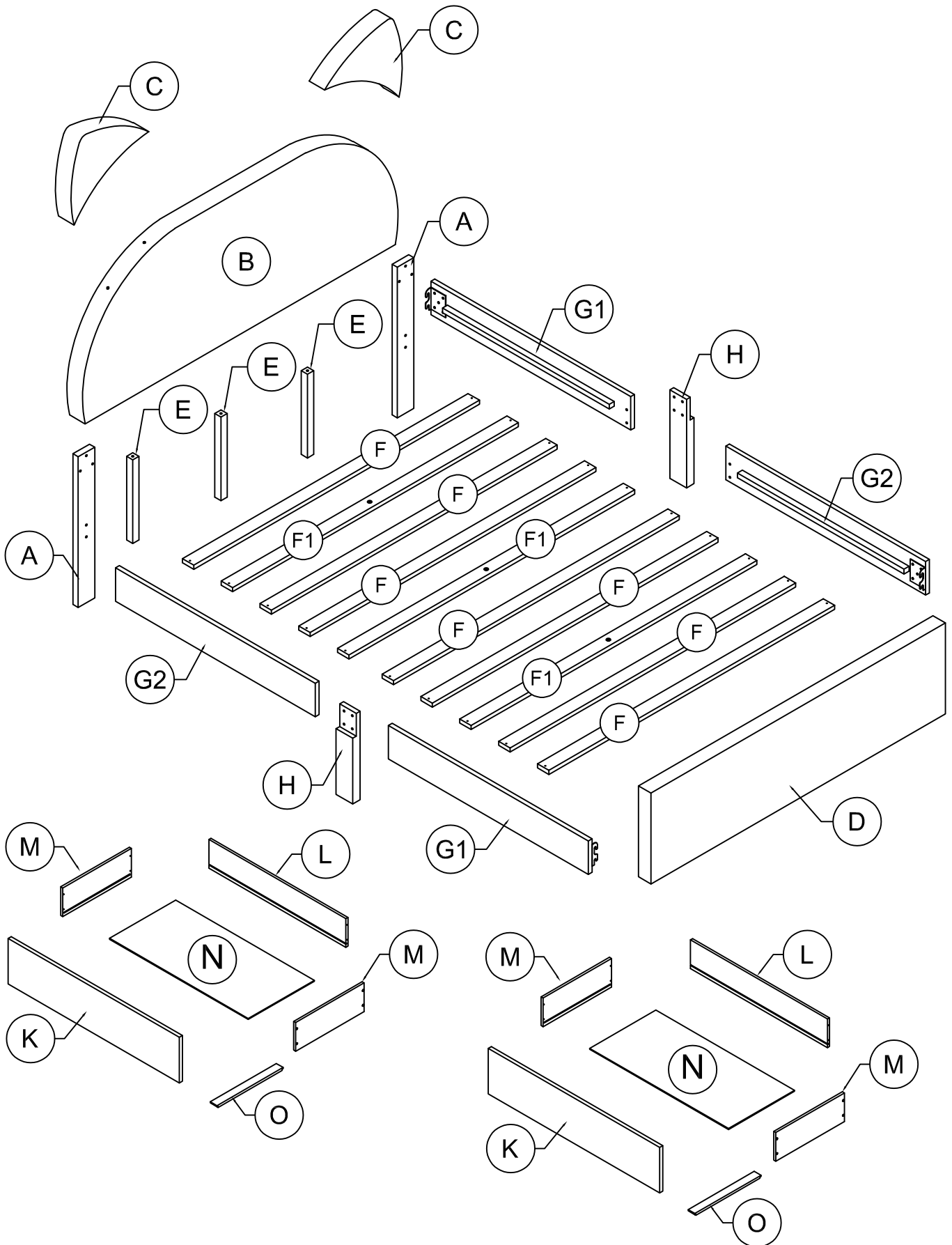


ASSEMBLY INSTRUCTION

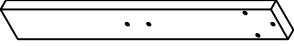
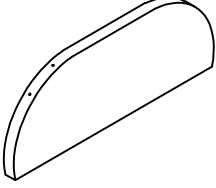

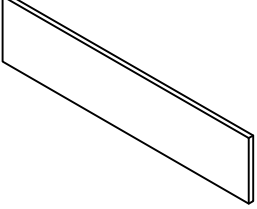
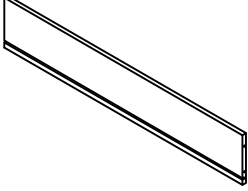
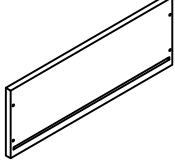
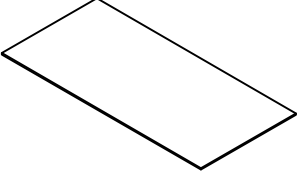
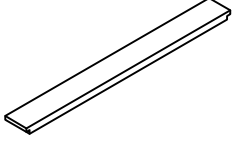
SKU CODE: (WF321945/WF321946)



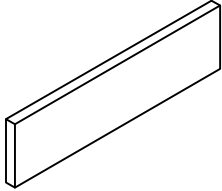

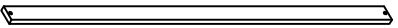

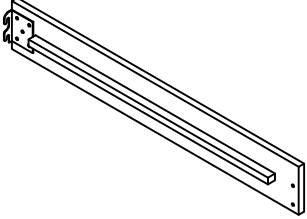
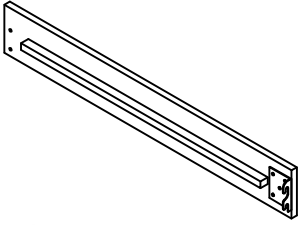

ASSEMBLY INSTRUCTION



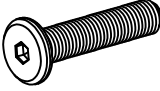
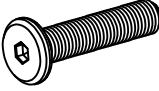

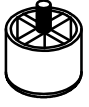



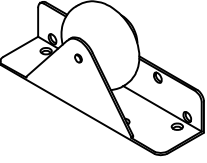
Part List (WF321945)

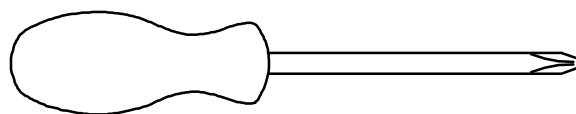
<p>A</p>  <p>Leg (HB Font) - 2pcs</p>	<p>B</p>  <p>Head board - 1pcs</p>	<p>C</p>  <p>Ears - 2pcs</p>
<p>K</p>  <p>Drawer - Front panels - 2pcs</p>	<p>L</p>  <p>Drawer - Back panels - 2pcs</p>	<p>M</p>  <p>Drawer - Side panels - 4pcs</p>
<p>N</p>  <p>Drawer - Bottom panels - 2pcs</p>	<p>O</p>  <p>Drawer - Bar support - 2pcs</p>	

Part List (WF321946)

<p>D</p>  <p>Foot board - 1pcs</p>	<p>E</p>  <p>Leg support - 3pcs</p>	<p>F</p>  <p>Slats - 7pcs</p>
<p>F1</p>  <p>Slats - 3pcs</p>	<p>G1</p>  <p>Side rails - 2pcs</p>	<p>G2</p>  <p>Side rails - 2pcs</p>
<p>H</p>  <p>Legs - 2pcs</p>		

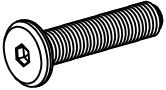
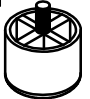
Hardware List (WF321946)

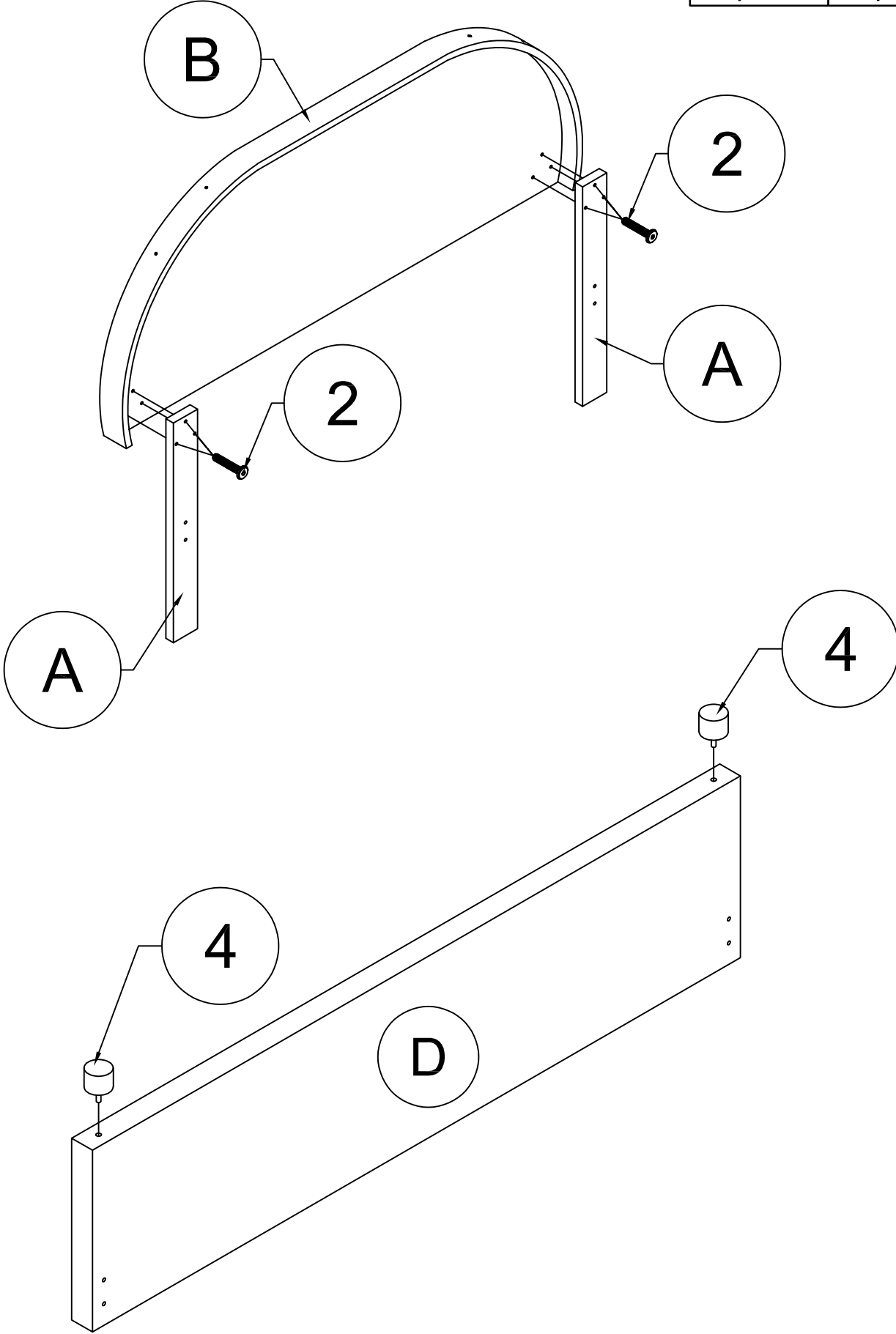
1  1/4" x 30mm Hex-Head bolts 19pcs	2  1/4" x 40mm Hex-Head bolts 10pcs	3  Allen Key 1pcs
4  Plastic Feet (Ø50 x 40) 2pcs	5  M4 x 15 mm Wood Screws 20pcs	6  M4 x 30 mm Wood Screws 36pcs
7  Plastic Drawer Stopper 4 pcs	8  Wheels 8pcs	



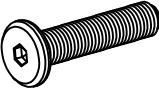
Assembly Tools Required (Not Included)

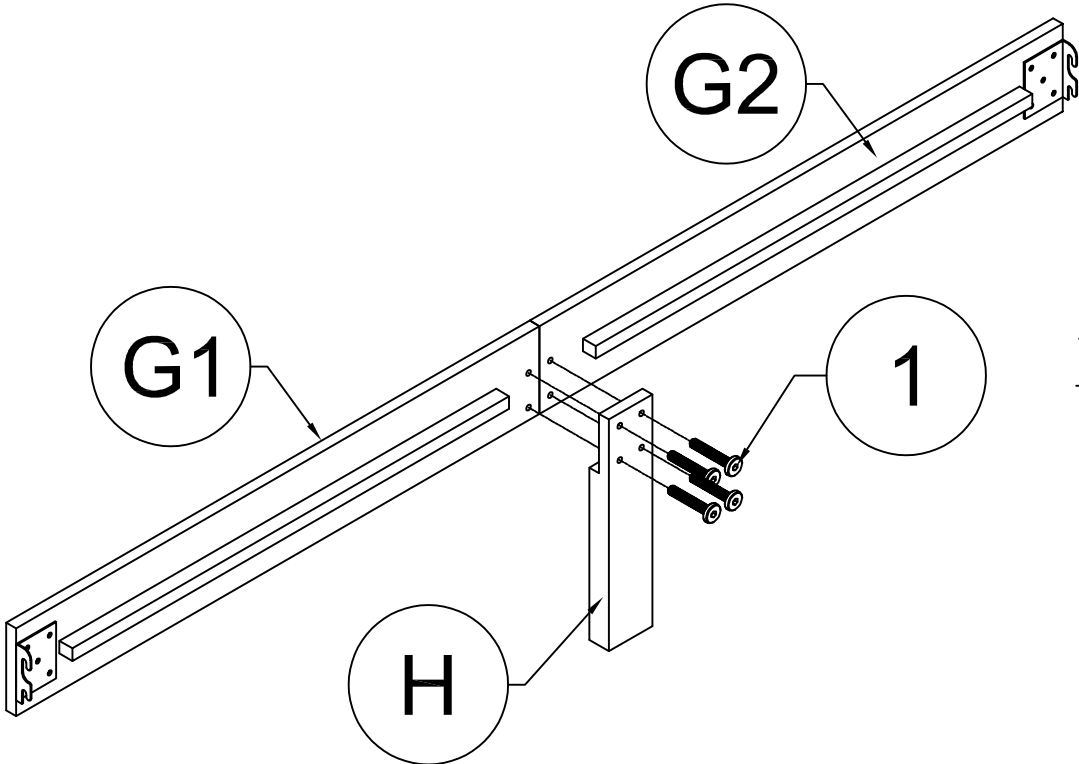
STEP 1: Following below illustration:

2	4
	
6pcs	2pcs

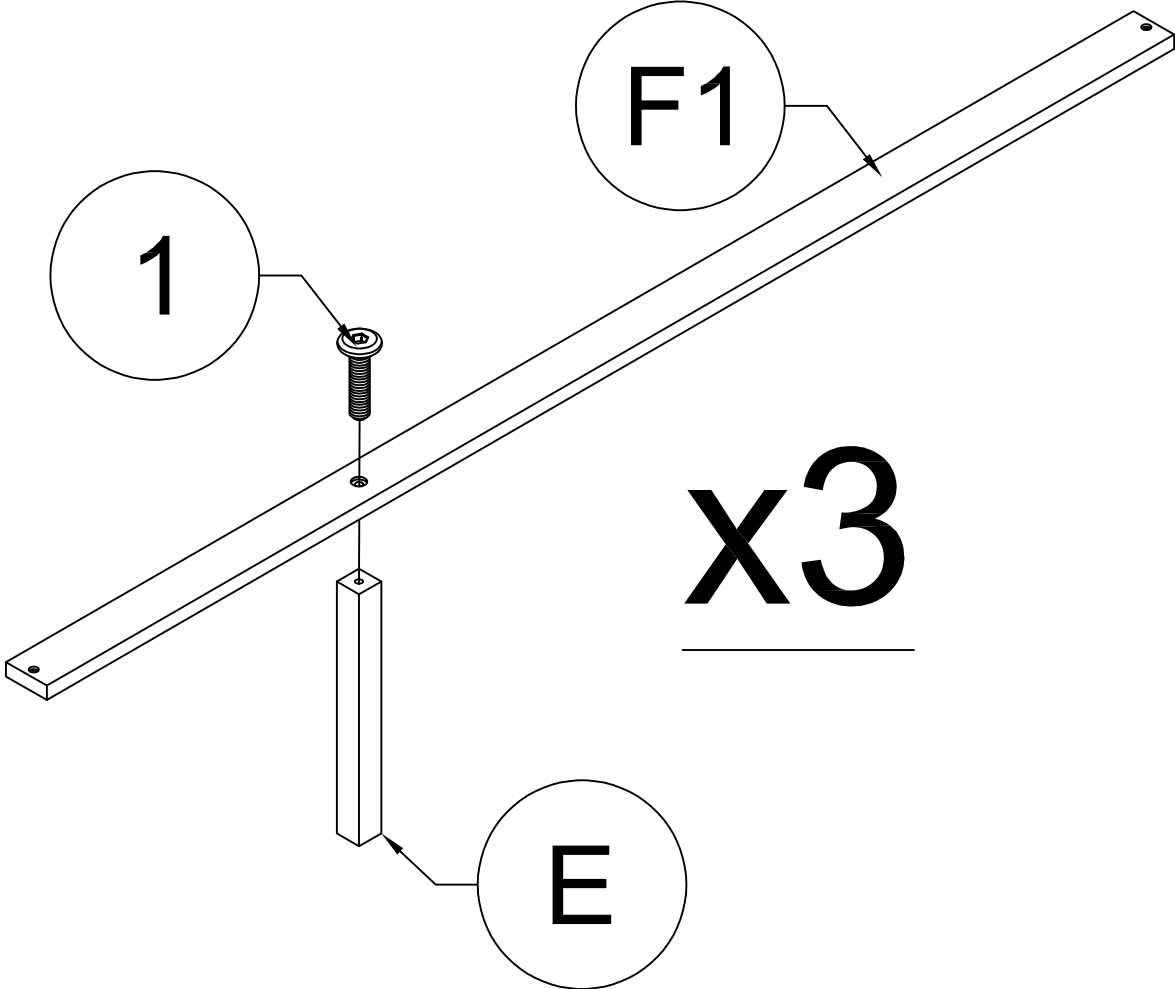


STEP 2: Following below illustration:

1

11pcs

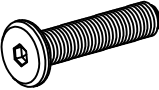


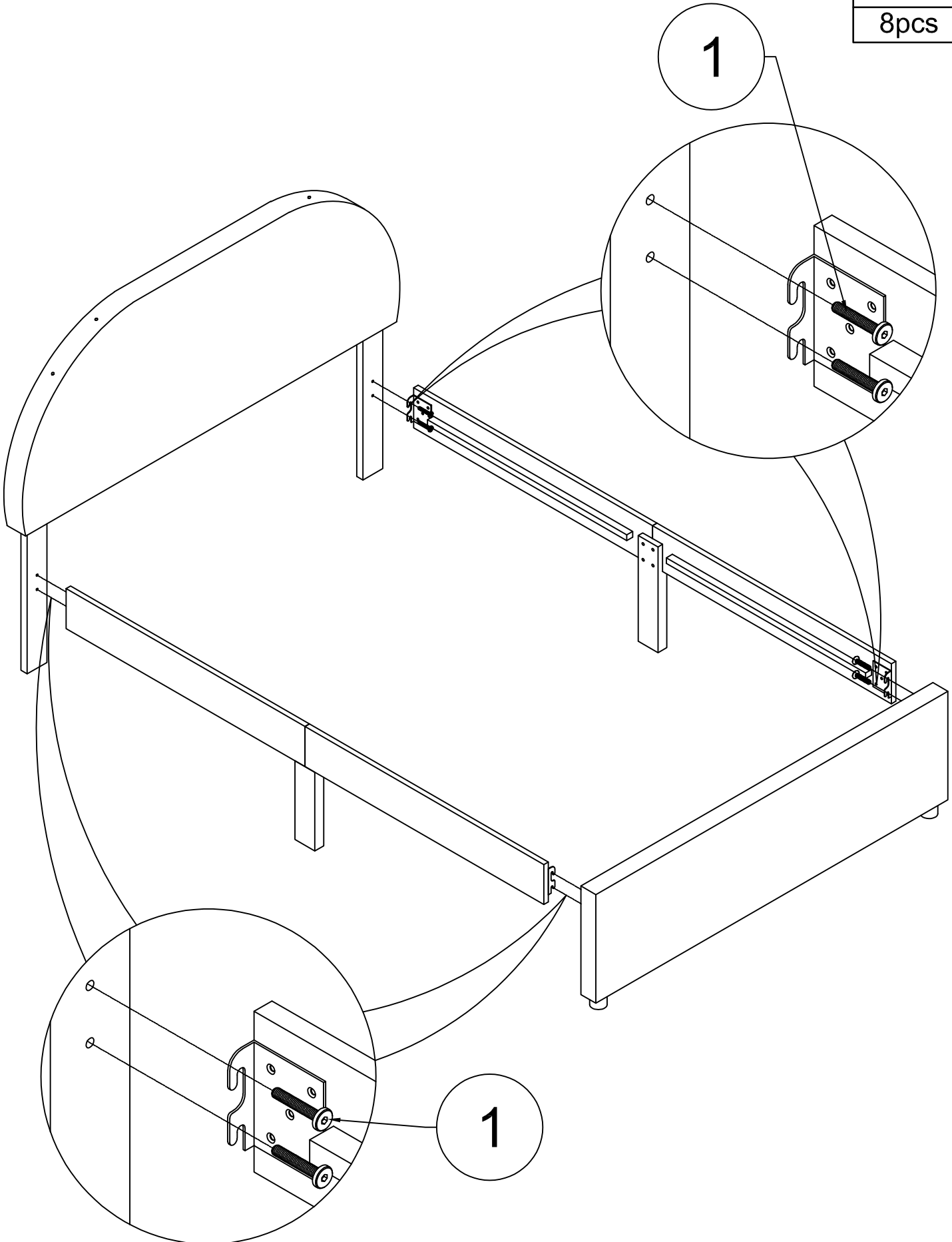
x2



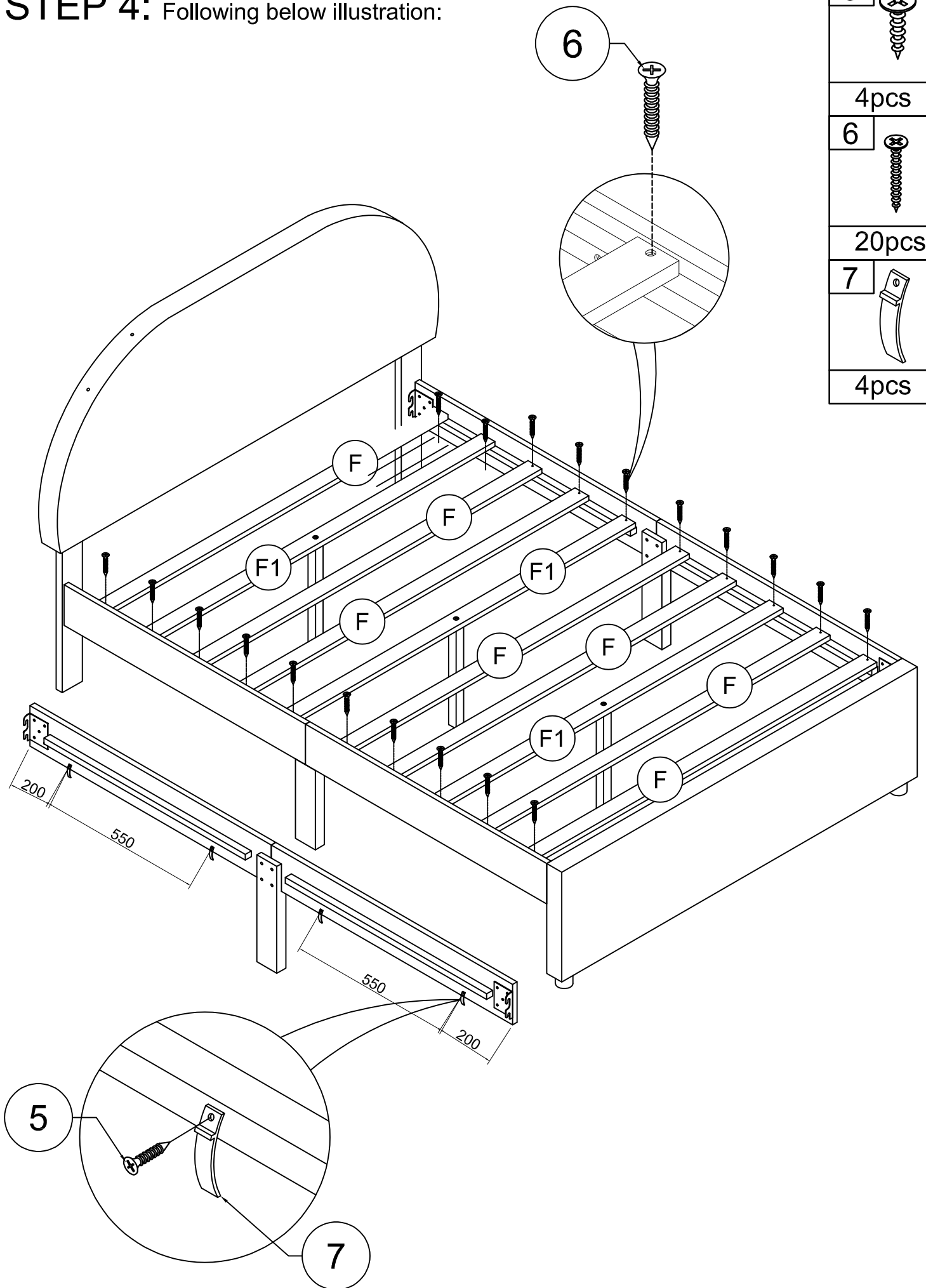
x3

STEP 3: Following below illustration:

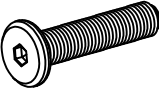
1

8pcs

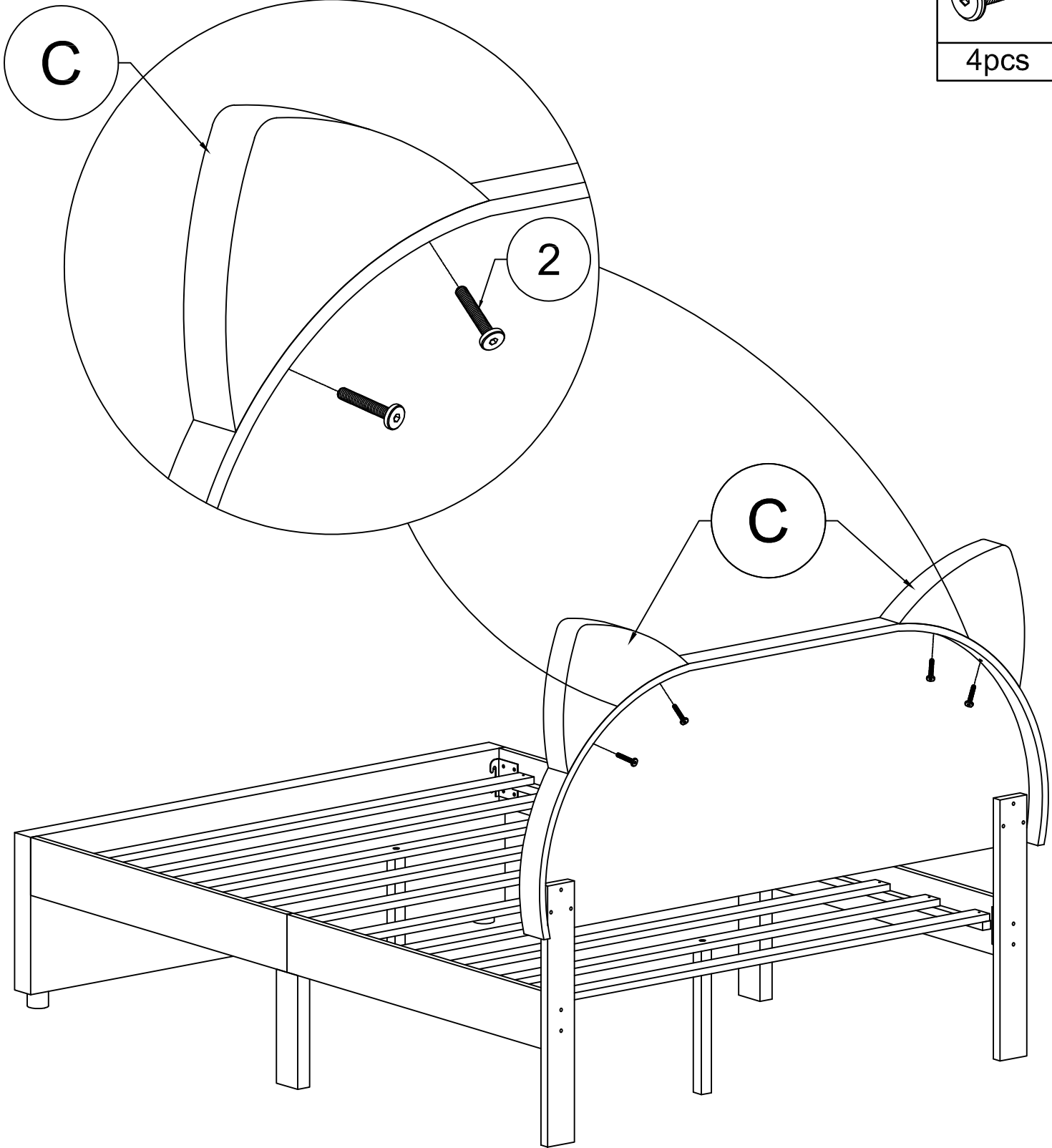


STEP 4: Following below illustration:



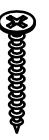
STEP 5: Following below illustration:

2

4pcs

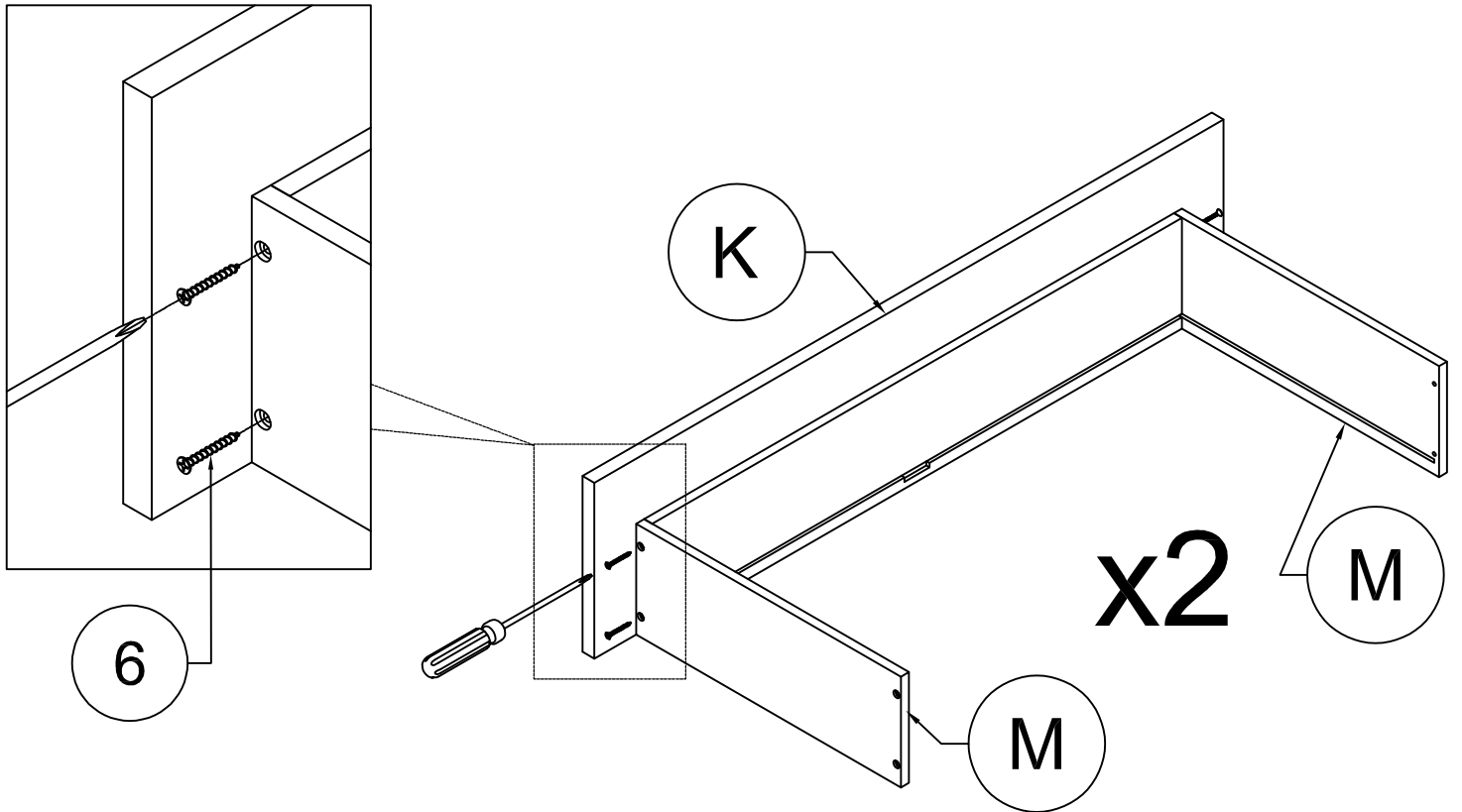


STEP 6: Following below illustration:

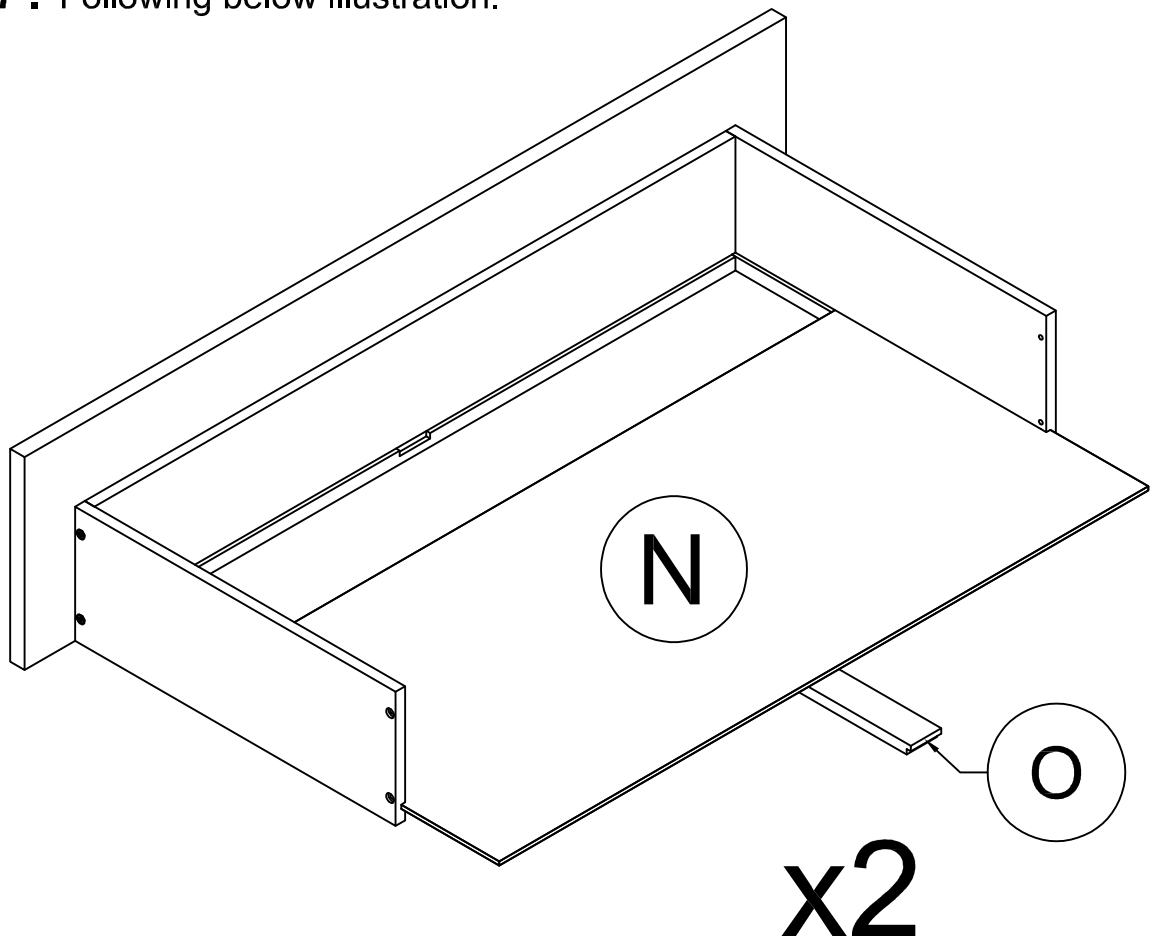
6



8pcs



STEP 7: Following below illustration:



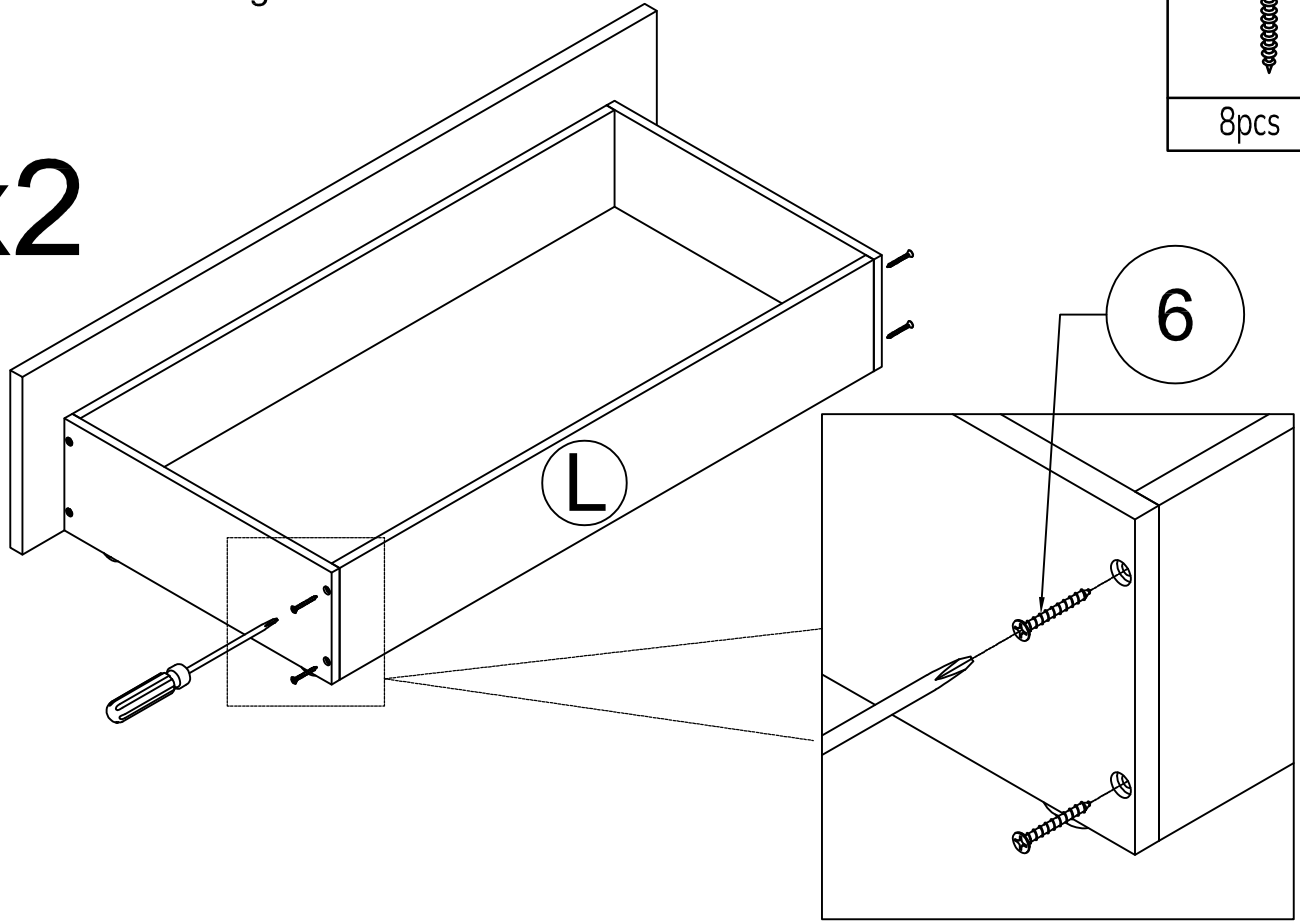
STEP 8: Following below illustration:

6



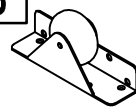
8pcs

x2



STEP 9: Following below illustration:

8

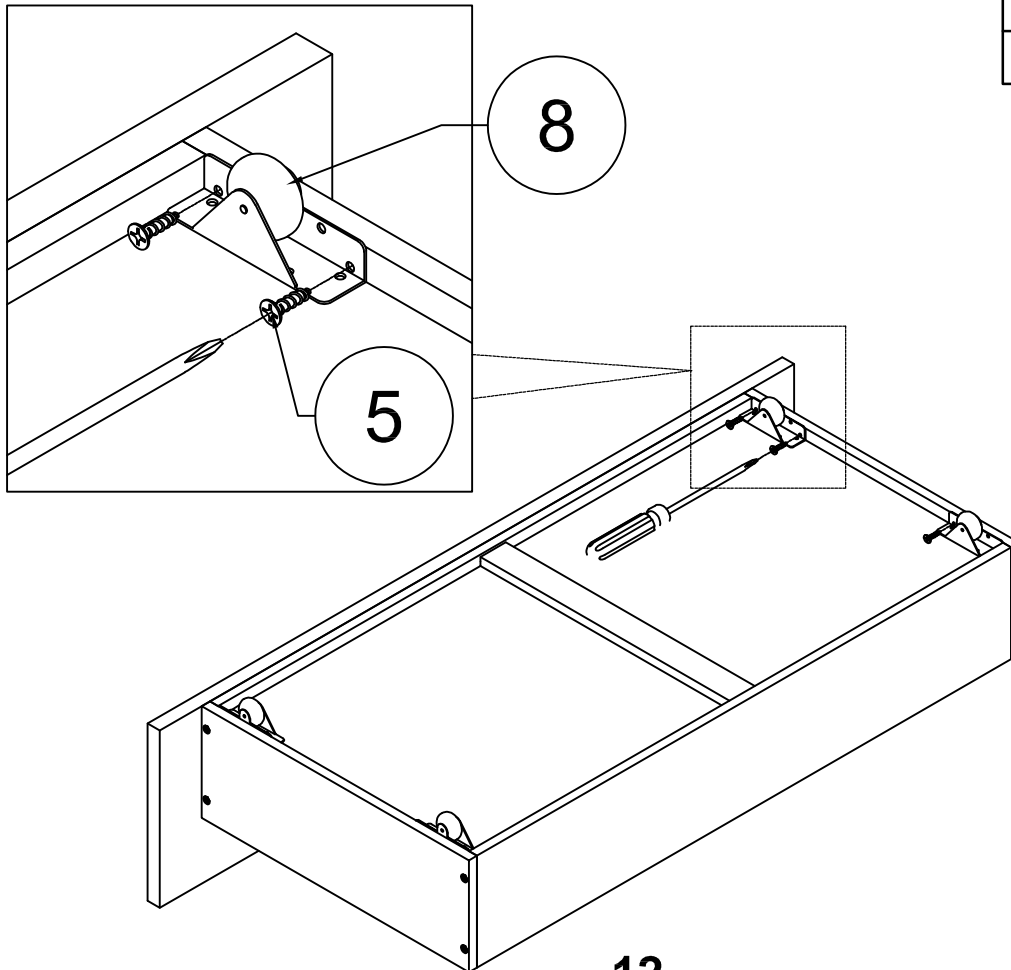


8pcs

5



16pcs



x2

12

FINISH

