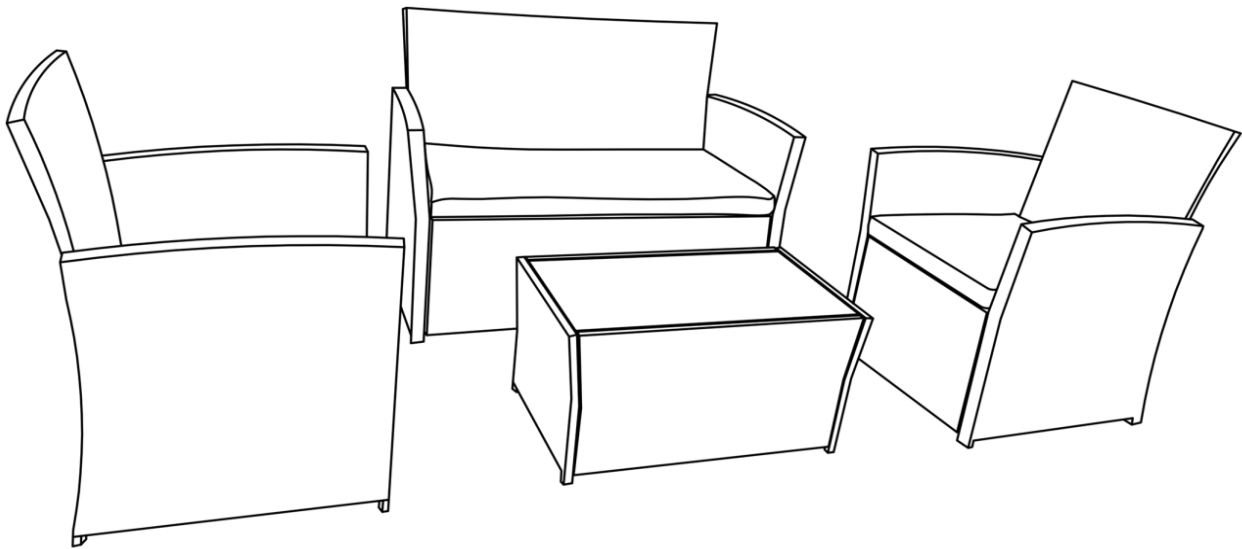


## Sofa Instruction (See Video first, it will save you One hour)



### [Guarantee]

If you have questions or quality problem, contact us. We will reply you in 12hour. Great shopping experience.

### [ Installation Video]

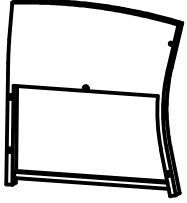
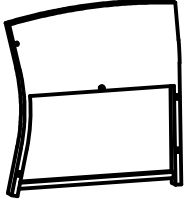
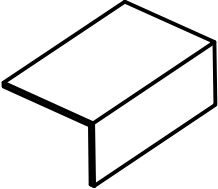
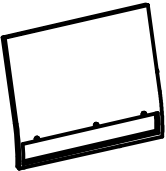




The installation video on YOUTUBE for your reference.

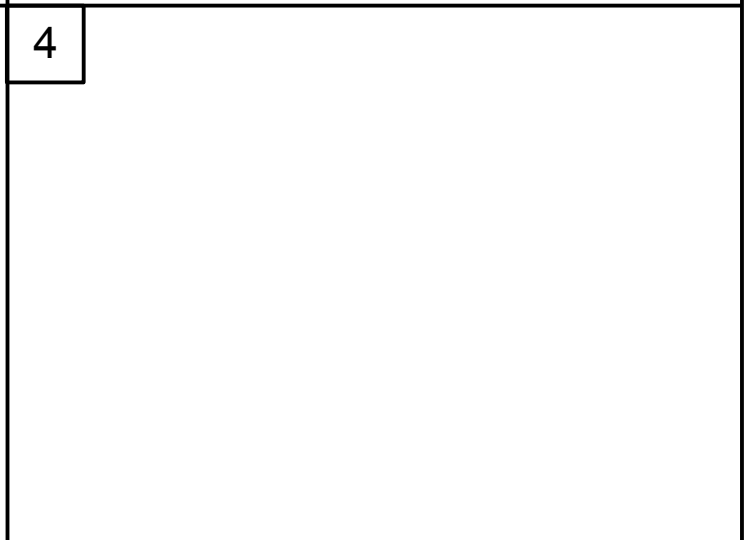
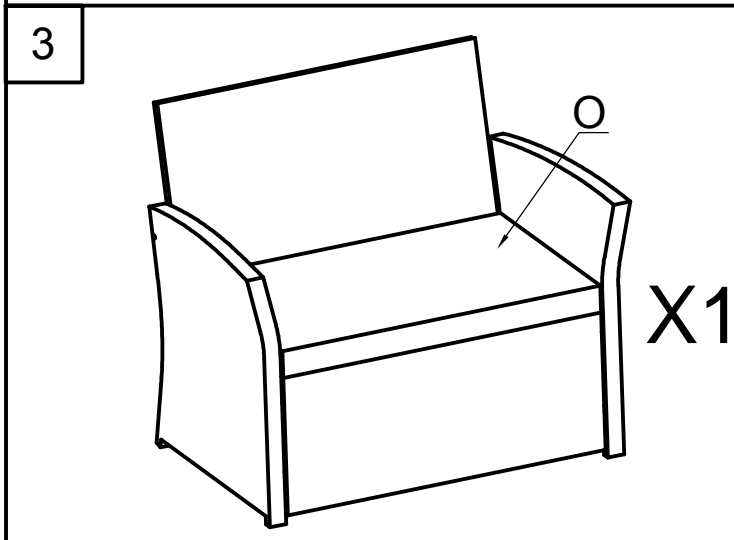
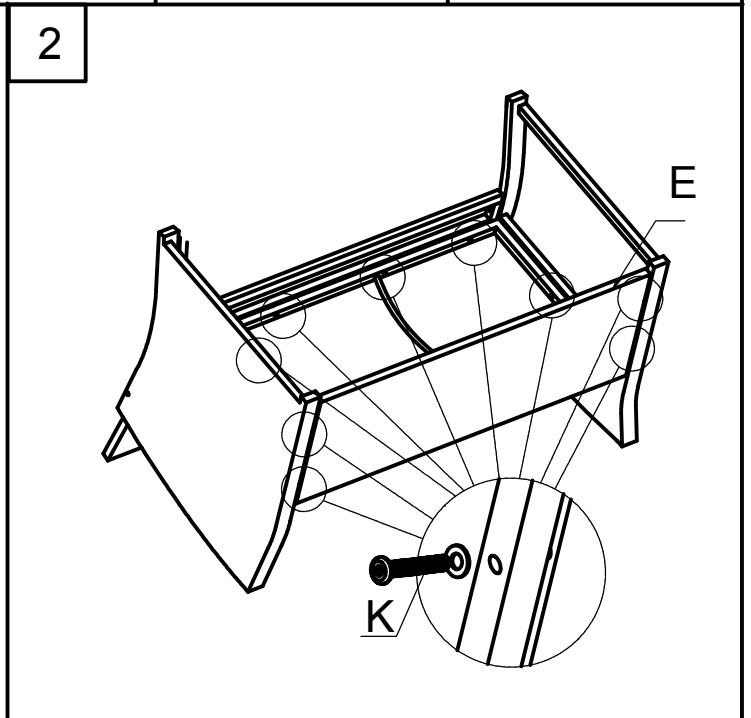
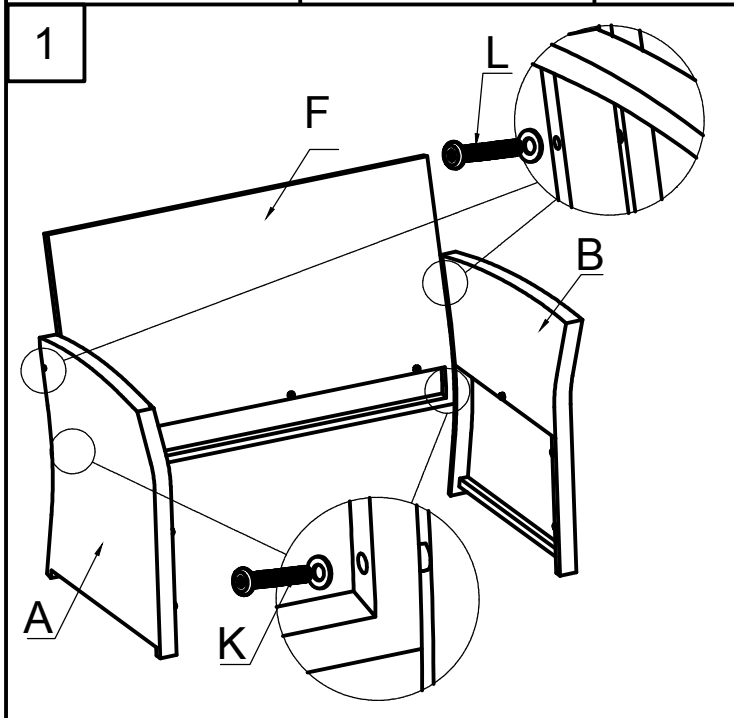
## NOTE:

[ Most important !!!] See the video first! It will save you one hour.

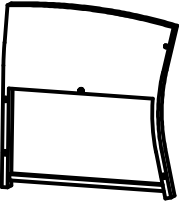
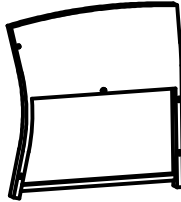
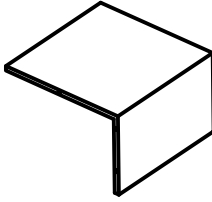
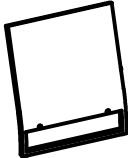




1. Please DO NOT fix screws tightly before all screws and holes connected.
2. Keeping all screws half-tightened will make assembling easier .
3. Please email us with pictures if you need any help during assembling.
4. Don't expose the cushions in the sun for a long period of time and cover the set or put cushions indoor when there is rain or snow expected for long periods of time.
5. Please don't discard packing boxes before all cushion chairs are assembled without first making sure there are no issues with assembly or parts. We will ask for the SKU# on boxes if there are any issues reported so please keep that information and have it available. Thank you!

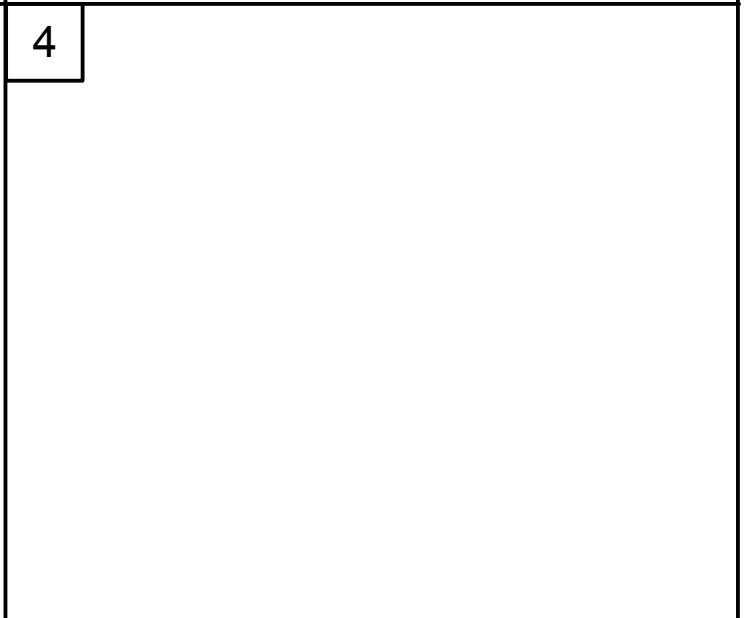
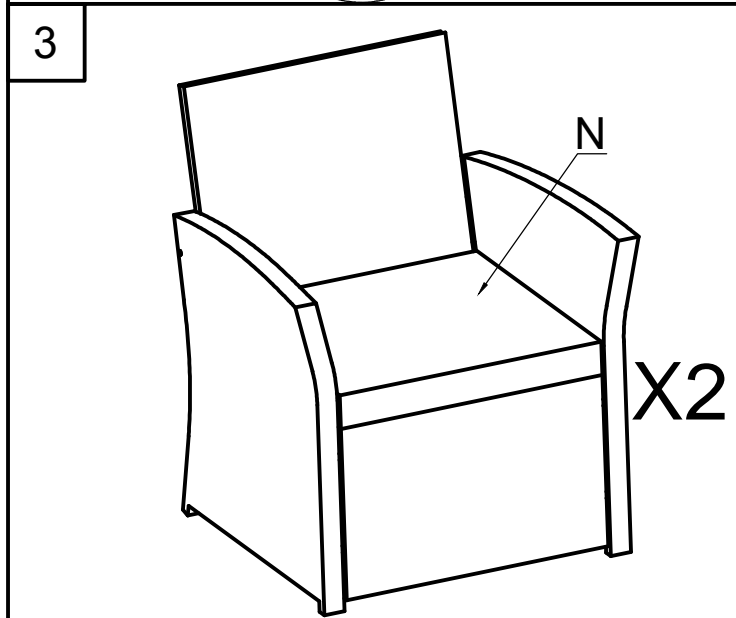
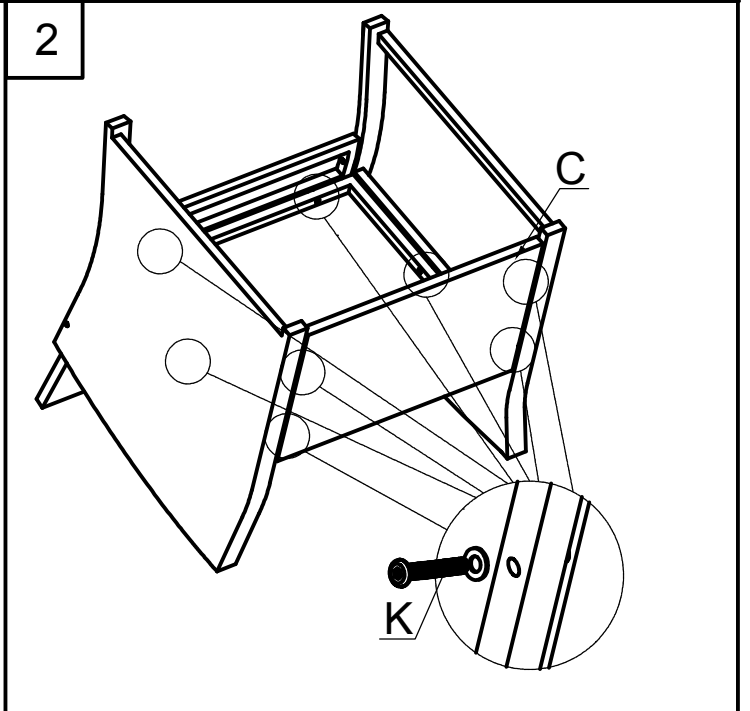
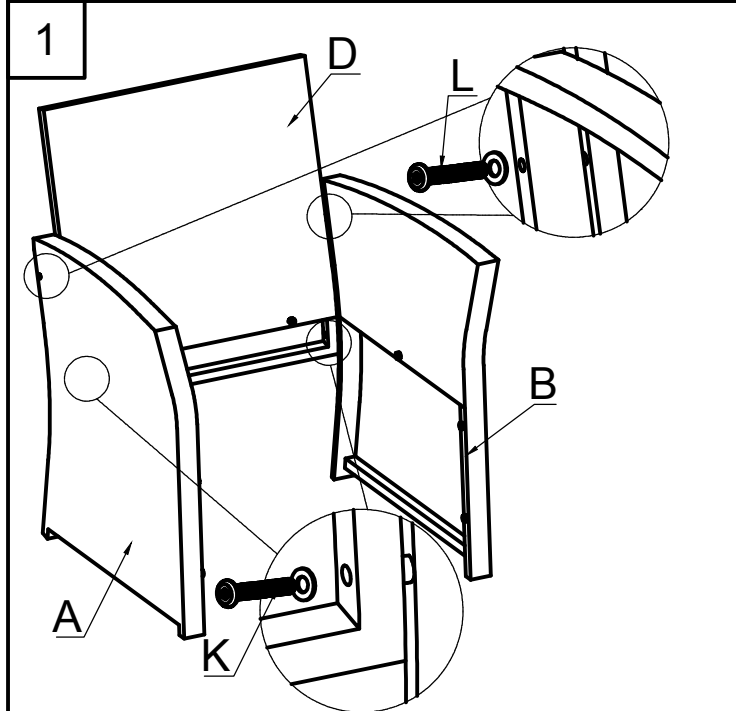
# Loveseat

				 M6*30
<b>A 1Pc</b> (TOTAL 3PCS/CTN, One of 3)	<b>B 1Pc</b> (TOTAL 3PCS/CTN, One of 3)	<b>E 1Pc</b>	<b>F 1Pc</b>	<b>K 11Pcs</b> (TOTAL 39PCS/CTN, 11 of them)
 M6*50				
<b>L 2Pcs</b> (TOTAL 6PCS/CTN, 2 of them)	<b>M 1Pc</b> (TOTAL 1PC/CTN)	<b>O 1Pc</b>		

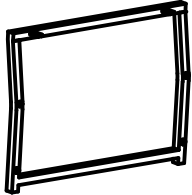

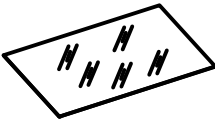




# Single Seat(Total 2pcs/CTN, One of them)

				 M6*30
<b>A 1Pc</b> (TOTAL 3PCS/CTN, One of 3)	<b>B 1Pc</b> (TOTAL 3PCS/CTN, One of 3)	<b>C 1Pc</b> (TOTAL 2PCS/CTN, One of 2)	<b>D 1Pc</b> (TOTAL 2PCS/CTN, One of 2)	<b>K 10Pcs</b> (TOTAL 39PCS/CTN, 10 of them)
 M6*50				
<b>L 2Pcs</b> (TOTAL 6PCS/CTN, 2 of them)	<b>M 1Pc</b> (TOTAL 1PC/CTN)	<b>N 1Pc</b> (TOTAL 2PCS/CTN, One of 2)		



# Table

			 M6*30	
G 2Pcs	H 2Pcs	J 1Pc	K 8Pcs (TOTAL 39PCS/CTN, 10 of them)	M 1Pc (TOTAL 1PC/CTN)

