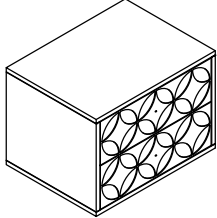
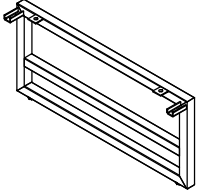
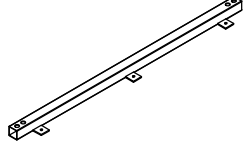
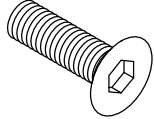
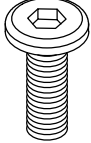

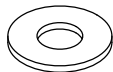
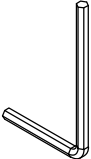
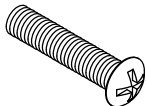

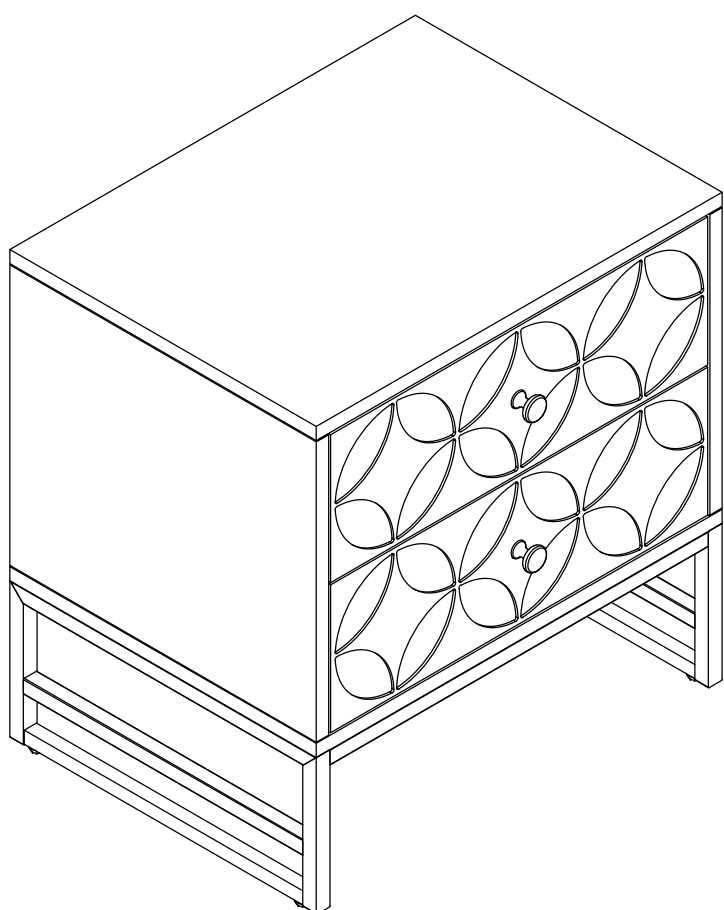


# ASSEMBLY INSTRUCTION

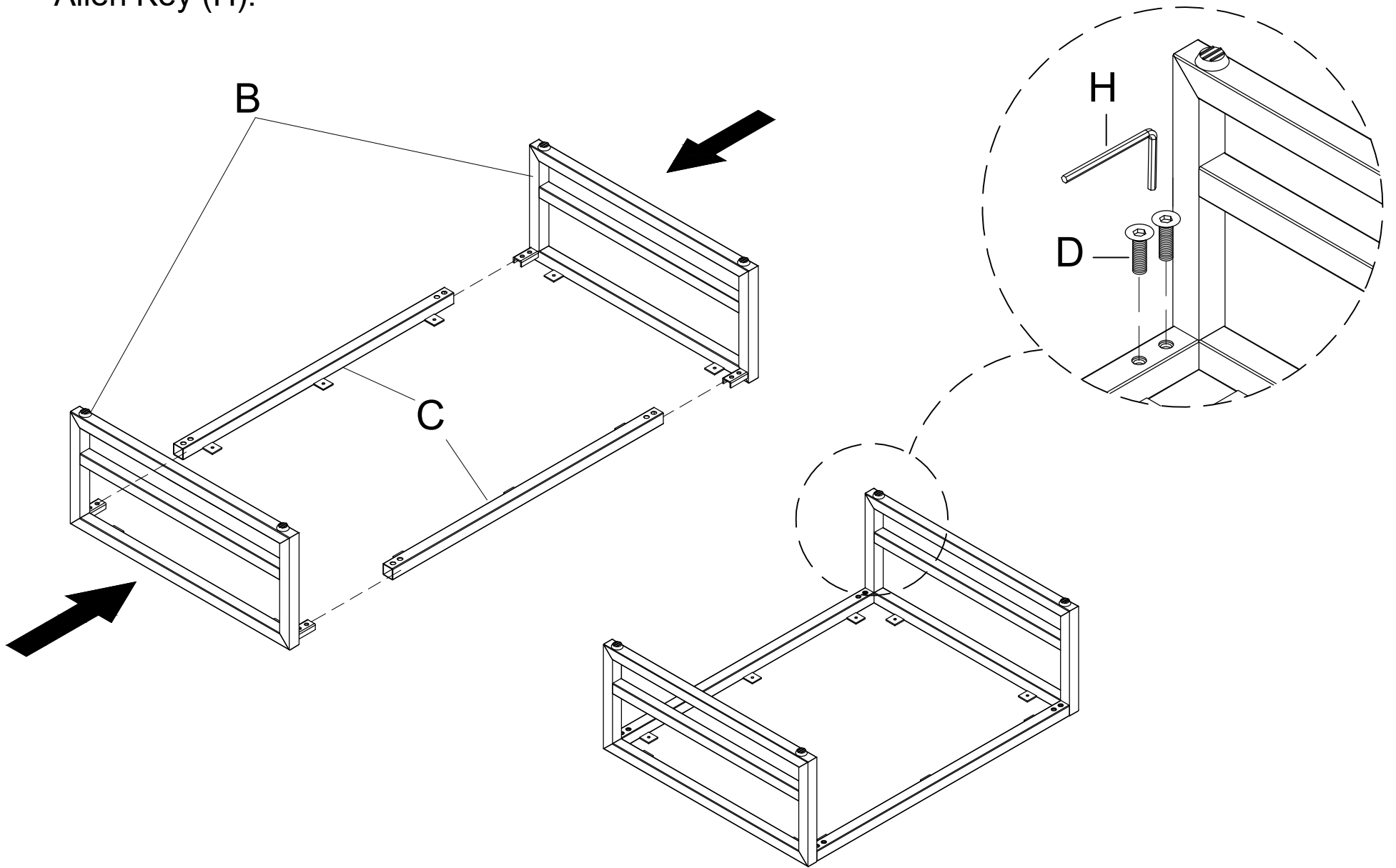
## ARCHED DIAMOND PATTERN NIGHTSTAND

<b>A</b> Nightstand  1 PC	<b>B</b> Leg Frame  2 PCS	<b>C</b> Metal Bar  2 PCS	<b>D</b> Allen Bolt $\text{\O}1/4'' \times 15\text{mm}$  8 PCS
<b>E</b> Allen Bolt $\text{\O}1/4'' \times 20\text{mm}$  10 PCS	<b>F</b> Lock Washer $\text{\O}1/4''$  10 PCS	<b>G</b> Flat Washer $\text{\O}1/4'' \times 16\text{mm}$  10 PCS	<b>H</b> Allen Key $\text{\O}4\text{mm} \times 60\text{mm}$  1 PC
<b>I</b> Allen Bolt $\text{\O}5/32'' \times 32\text{mm}$  2 PCS	<b>J</b> Handle  2 PCS		

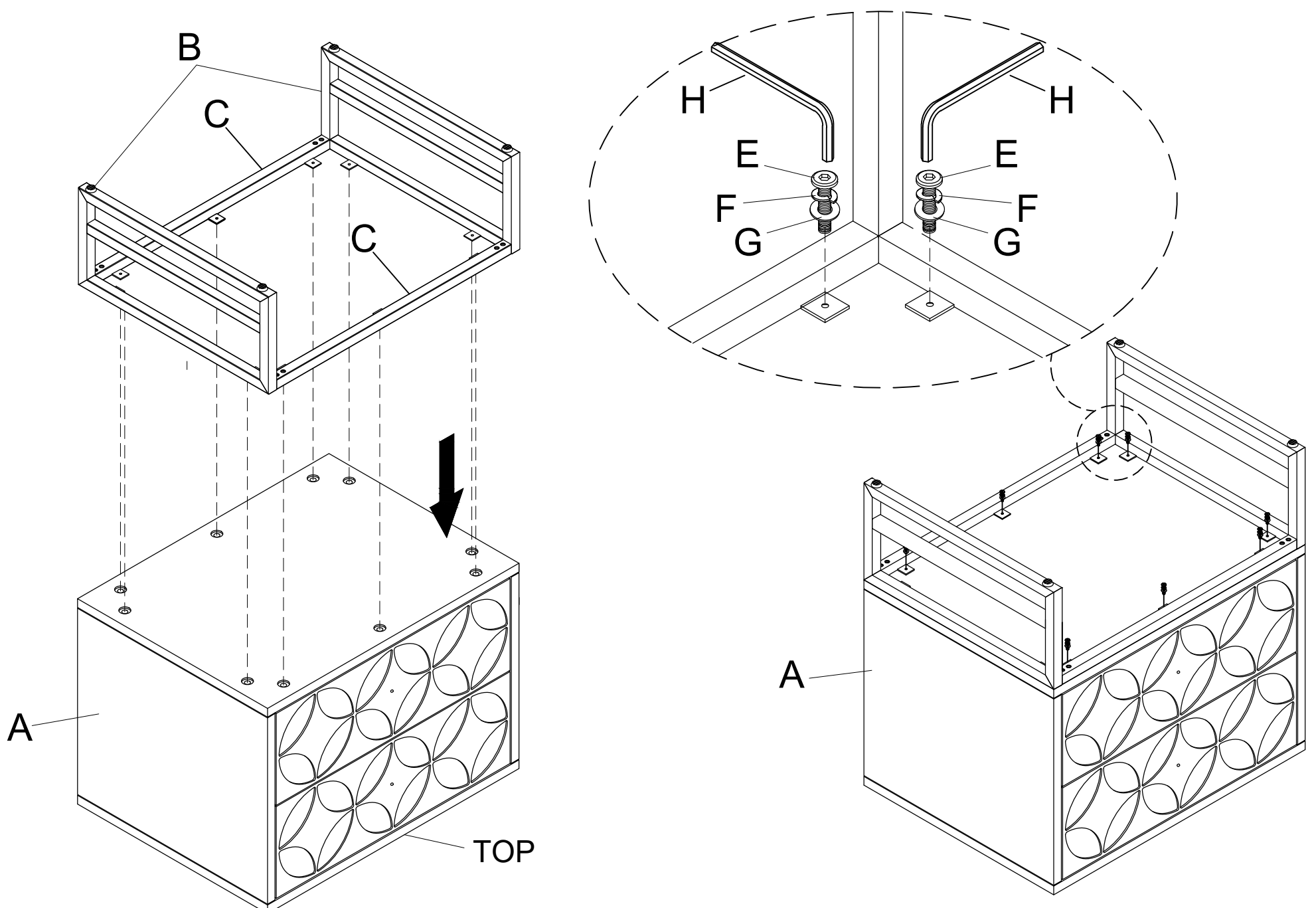


This page lists all the contents included in the box. Please take the time to identify the hardware as well as the individual components to this product. As you unpack and prepare for assembly, place the contents on a carpeted or padded area to protect them from damage.

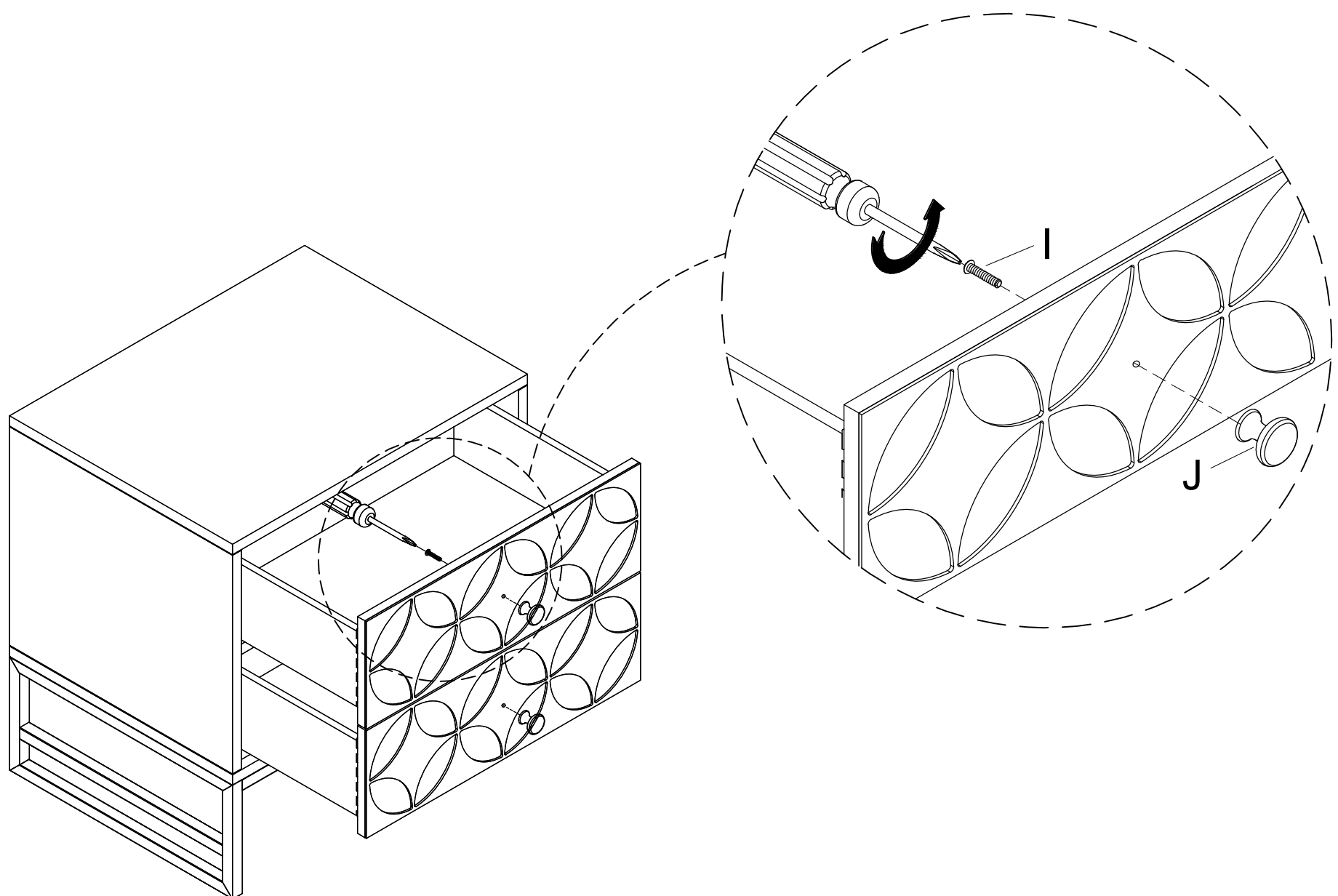
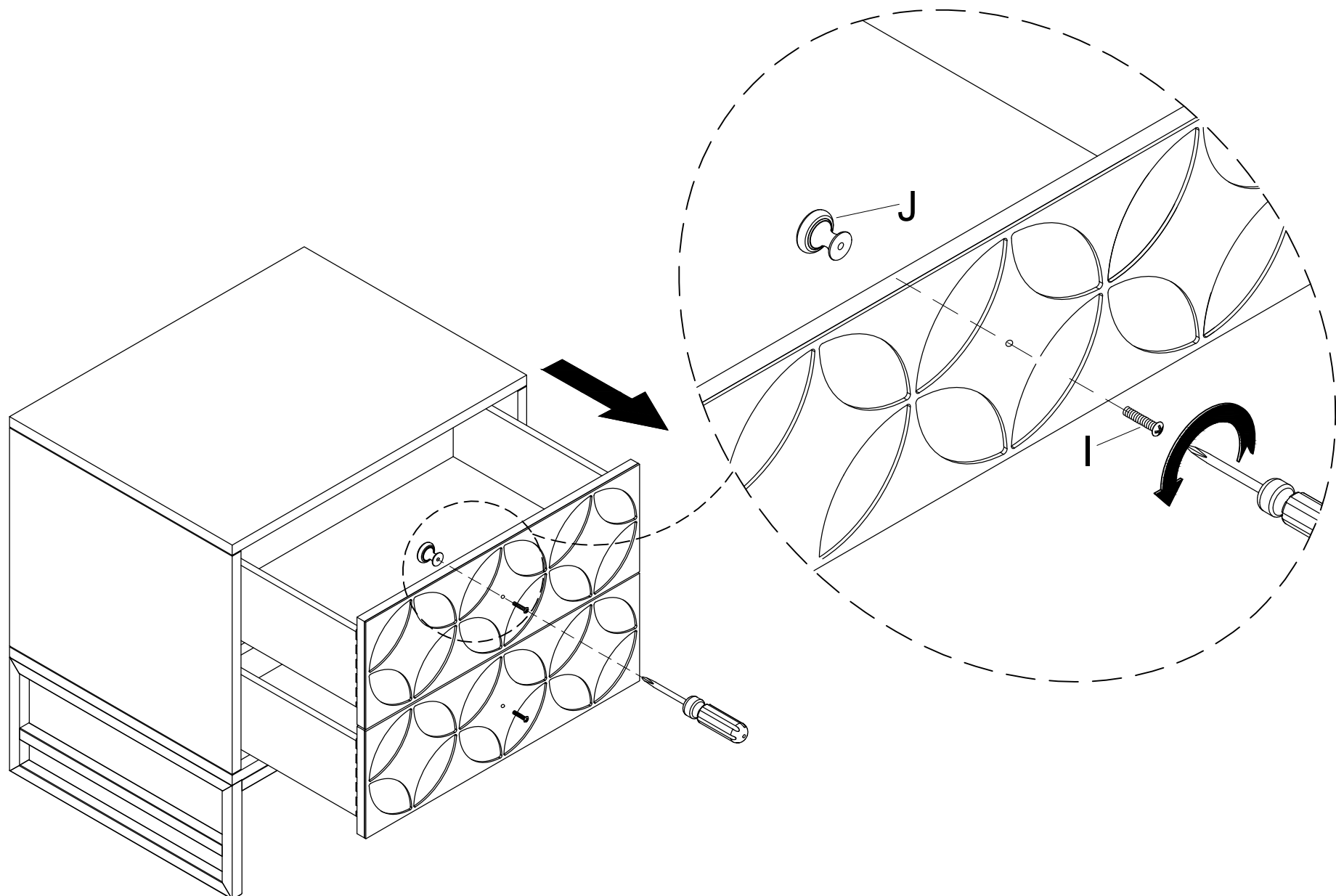
- 1** Attach two Leg Frame (B) to two Metal Bar (C) by using Allen Bolt (D) and tighten with Allen Key (H).



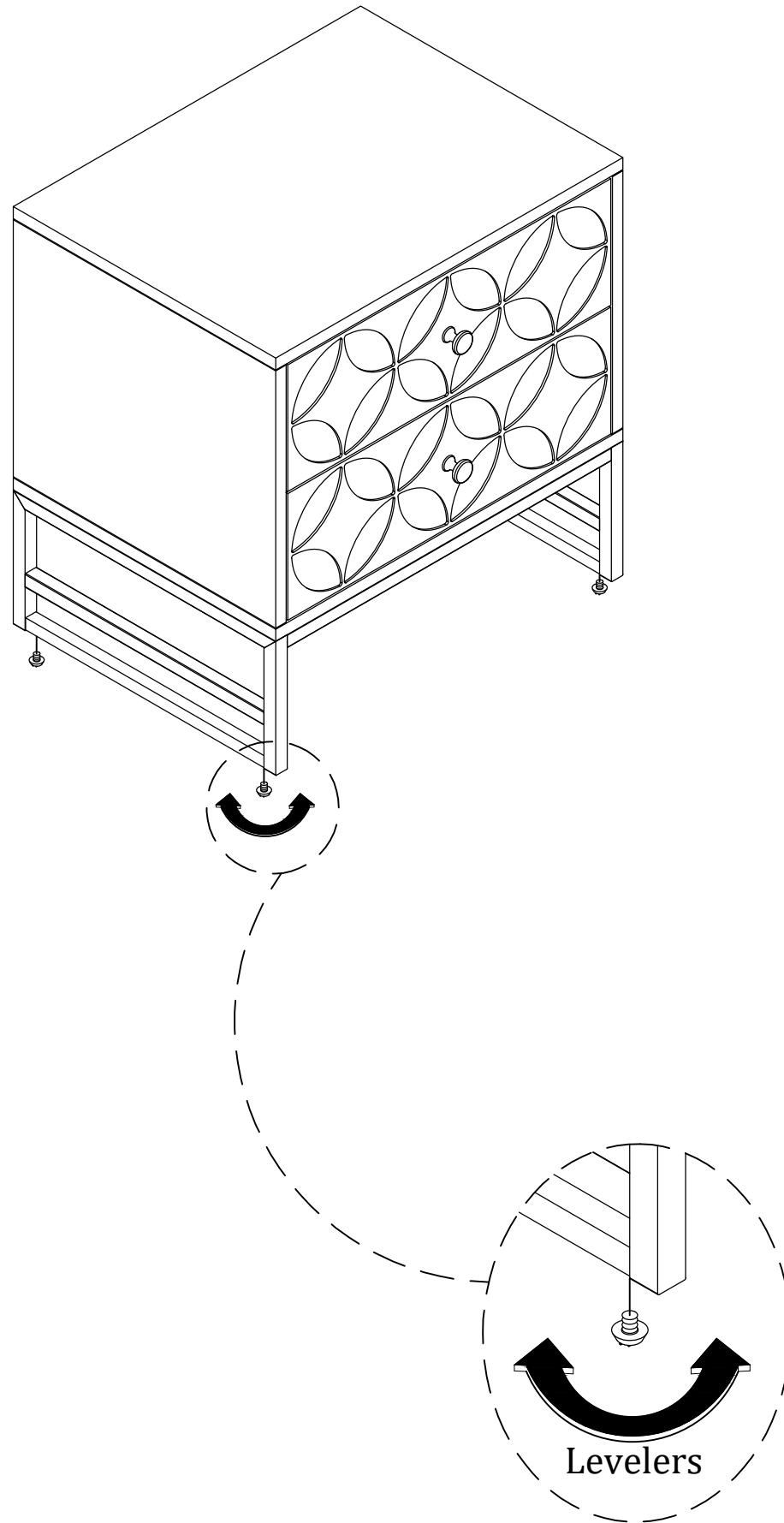
- 2** Attach Leg Frame and Metal Bar Assembly (B & C) to the bottom of Cabinet (A) by using Allen Bolt (E), Lock Washer (F) and Flat Washer (G) and tighten with Allen Key (H).



- 3** Open the Drawers and remove Handle (J) by screwdriver (not provided). Then attach Handle (J) on Drawer Fronts by using Allen Bolt (I) and tighten with screwdriver (not provided).



- 4 Adjust the Pre-installed Levelers at the bottom of Leg Frame (B) until the Nightstand is level with the ground.



#### Cleaning & Care

Treat surface with care. Surface is resistant to scratches but is not scratch resistant. Clean surfaces with a dry or damp soft cloth. Do not use abrasive cleaners. Hardware may loosen over time. Periodically check that all connections are tight.