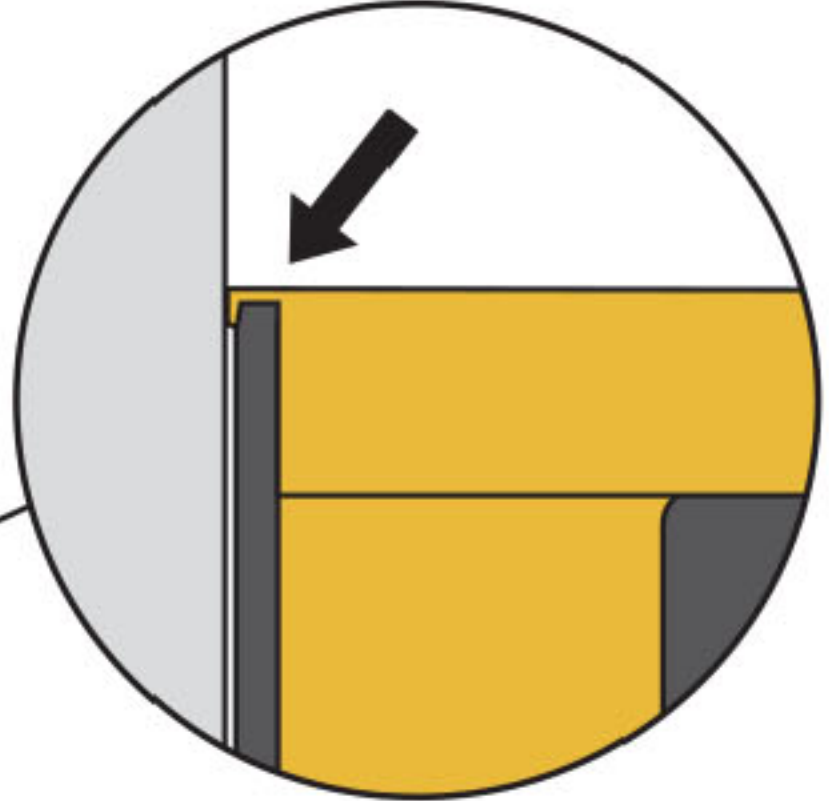
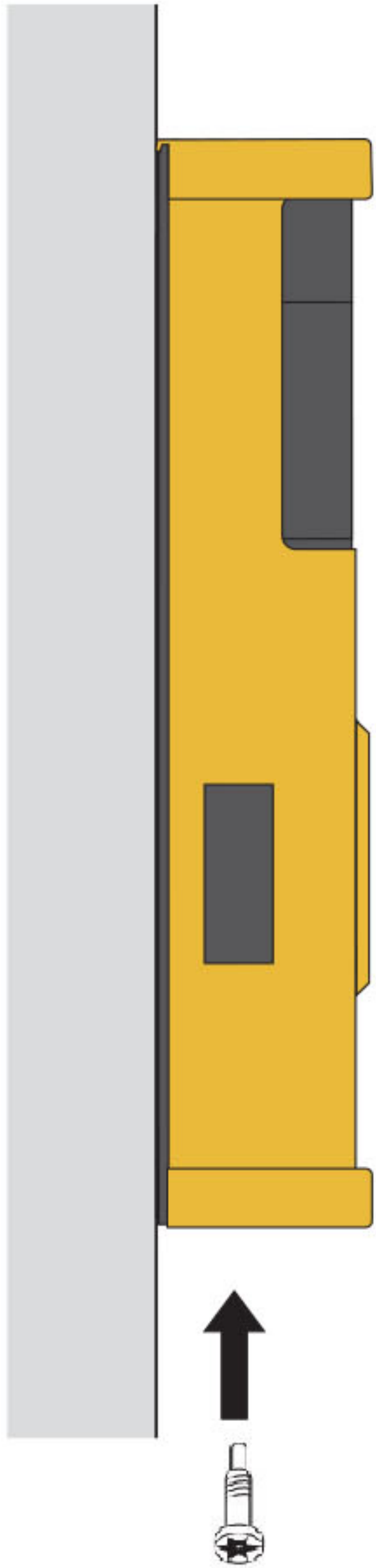
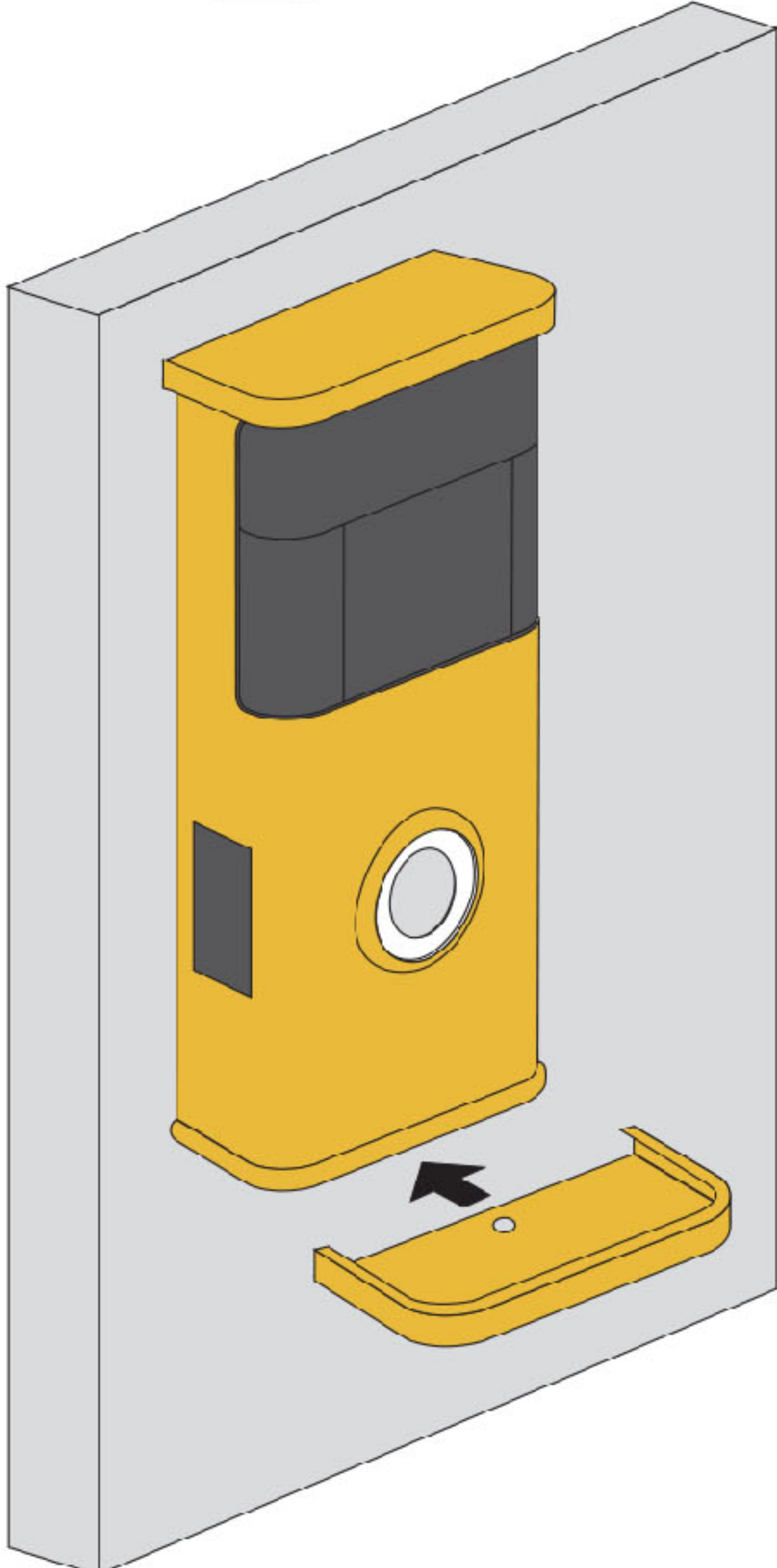
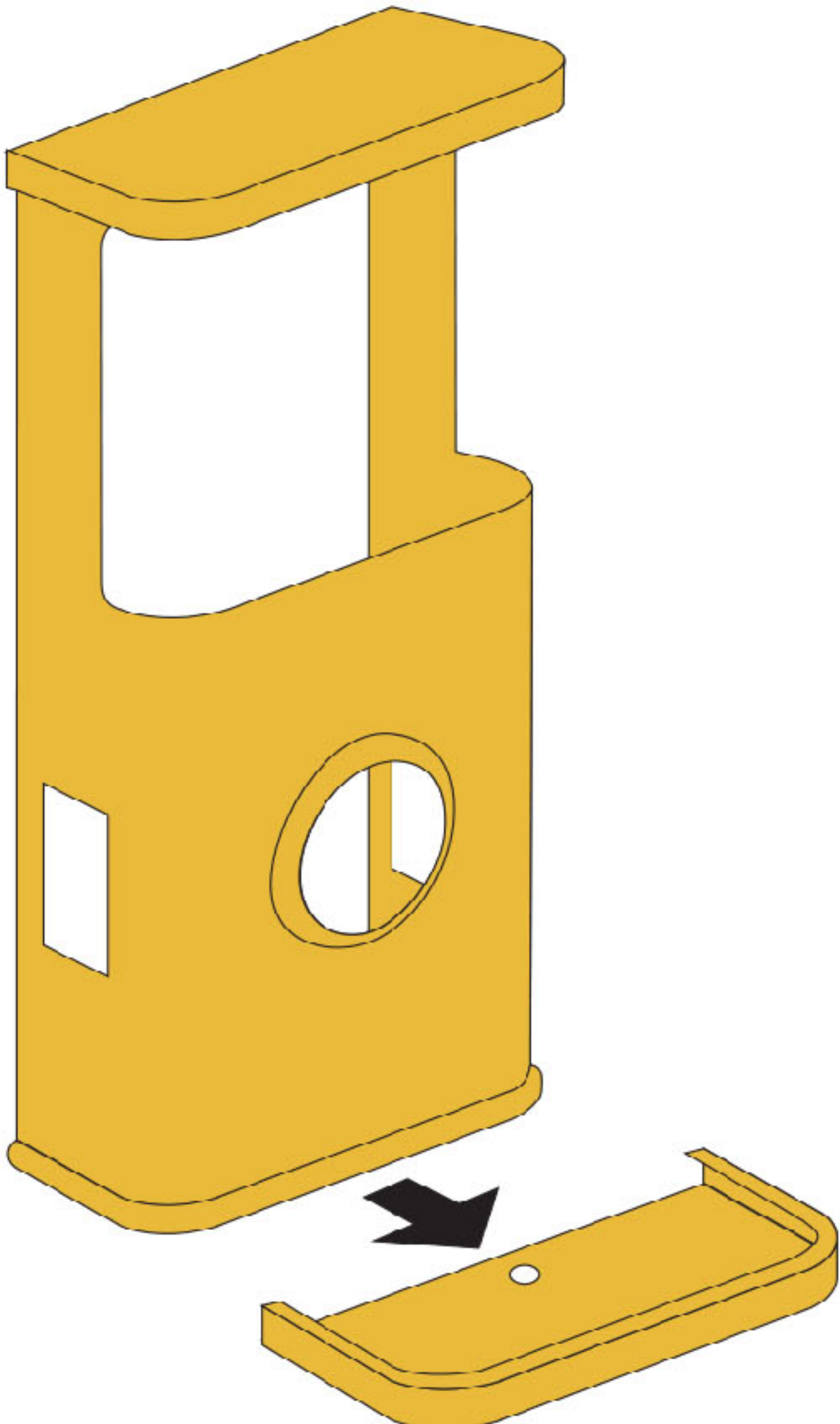


Easily secures using existing screw.



NOTE: If your doorbell is mounted to an extremely flat surface you may have to remove your doorbell's faceplate and loosen the top two mounting screws 1- 1½ turns to allow the tab on the doorbell cover to hook on. Replace the faceplate before attaching your doorbell cover.