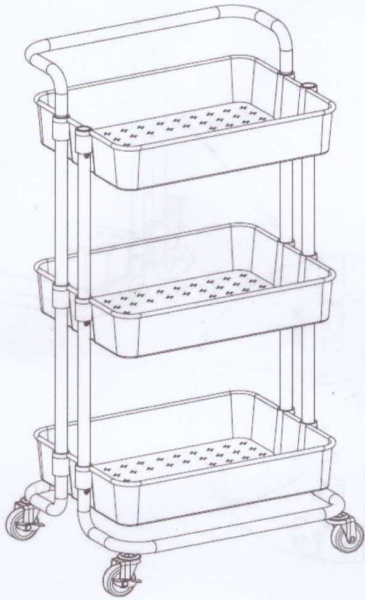


3-Tier Rolling Utility Cart

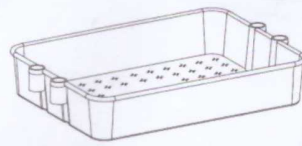
User Manual



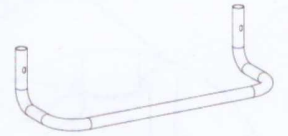
Safety Instructions

1. Keep the parts of this product away from children to avoid choking hazard.
2. To avoid rust, never store the product outdoors or in humid place.
3. Never sit, jump or misuse the product as there is risk of bodily injury.
4. Place the product on a flat and solid surface.
5. For safety concerns, never apply too much weight on one part of the basket. Instead, distribute the weight as evenly as possible.
6. Regularly check if there is damage on the parts or if the parts are out of shape, stop using the product immediately.
7. Never use corrosive detergent to clean the product.
8. Never put items over the weight capacity on the product.

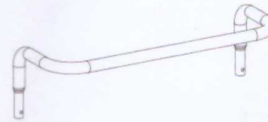
Package Contents



Basket x 3



Bottom Pipe x 2



Pipe Handle x 1



Upper Pipe x 8



Screw x 12



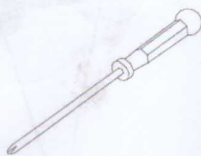
Cover x 2



Caster (with lock) x 2



Caster (without lock) x 2



Screwdriver x 1



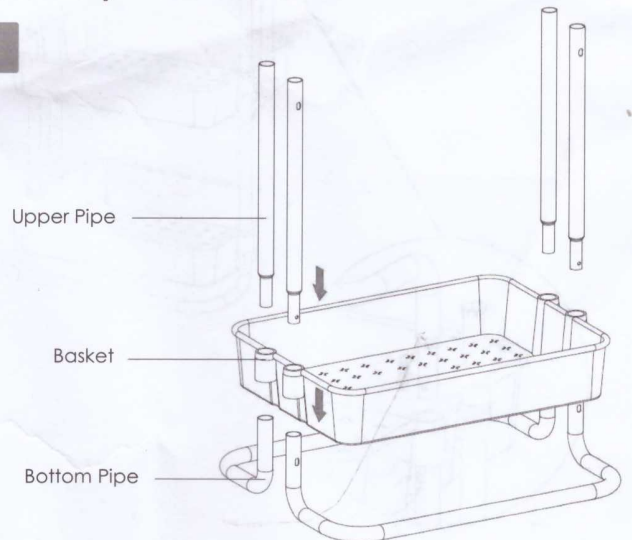
Wrench x 1

Specifications

Overall Dimensions (L x W x H)	17" x 14" x 34" (42 x 35 x 87 cm)
Weight Capacity (total)	23 lbs / 10.85kg (total)
Weight Capacity (each basket)	7 lbs / 3.6 kg (each basket)

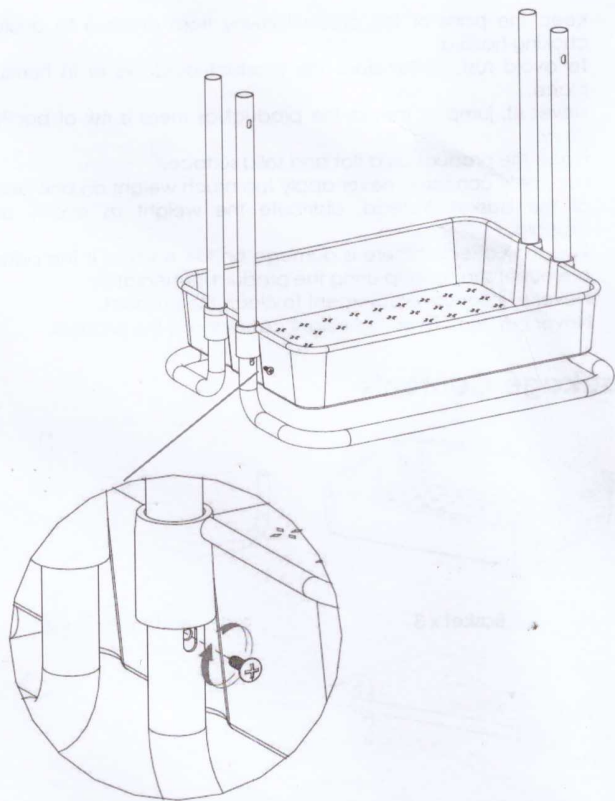
Assembly Instructions

1



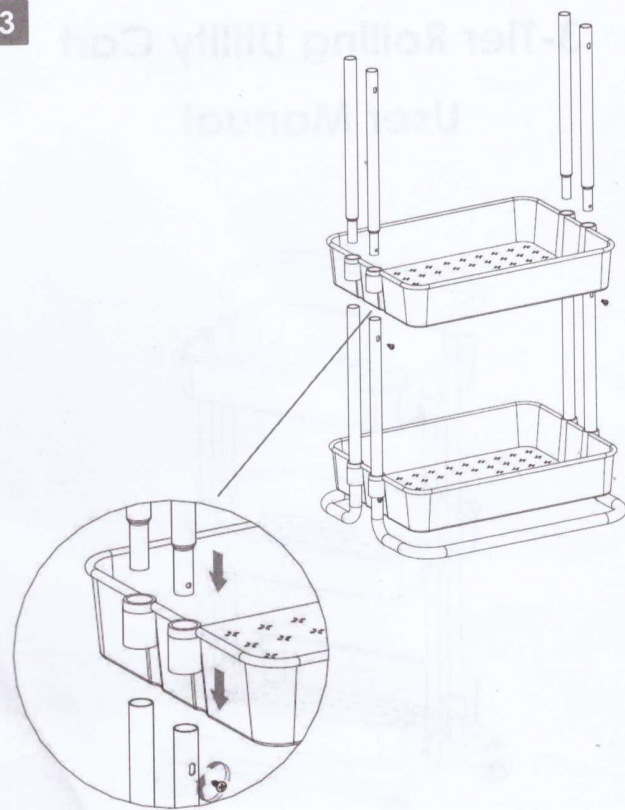
As per shown above, install 4 upper pipes on the top of the basket and the 2 bottom pipes under the basket.

2



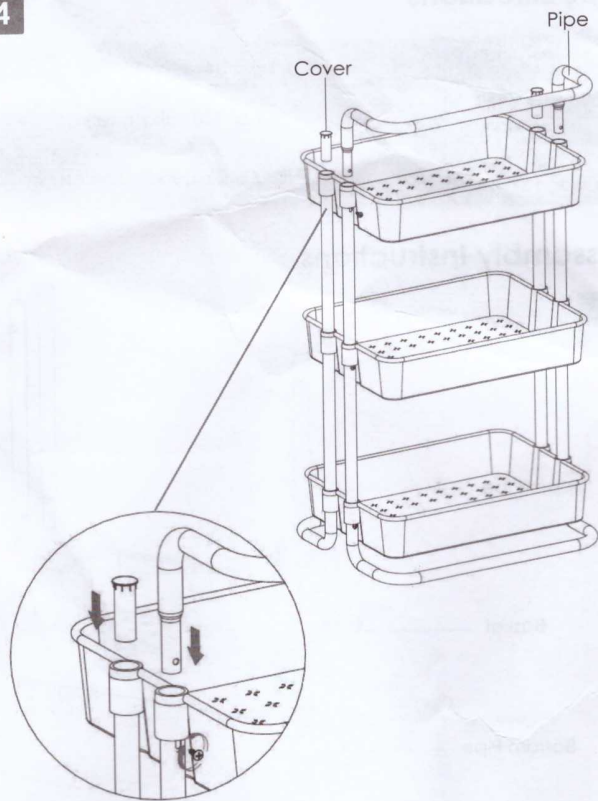
Align the upper pipes and bottom pipes to let their holes overlap with each other. After that, secure their connections with screws.

3



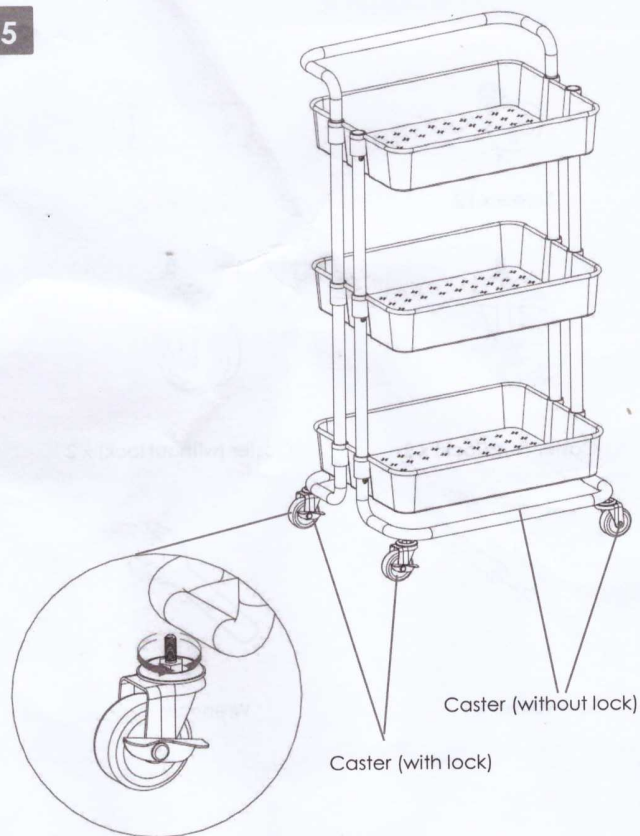
Further install a basket and 4 upper pipes. Secure their connection with screws in the same way as step 2.

4



Further install a basket and 2 covers. Secure the connection with screws in the same way as step 2.

5



Use the wrench to install 4 casters onto the bottom of the cart.