

**IMPORTANT!! PLEASE READ ENTIRE
INSTRUCTION SHEET BEFORE ASSEMBLY!!
Swivel Papasan Wicker Chair**

Do not attempt to assemble the product if any parts are missing or damaged.

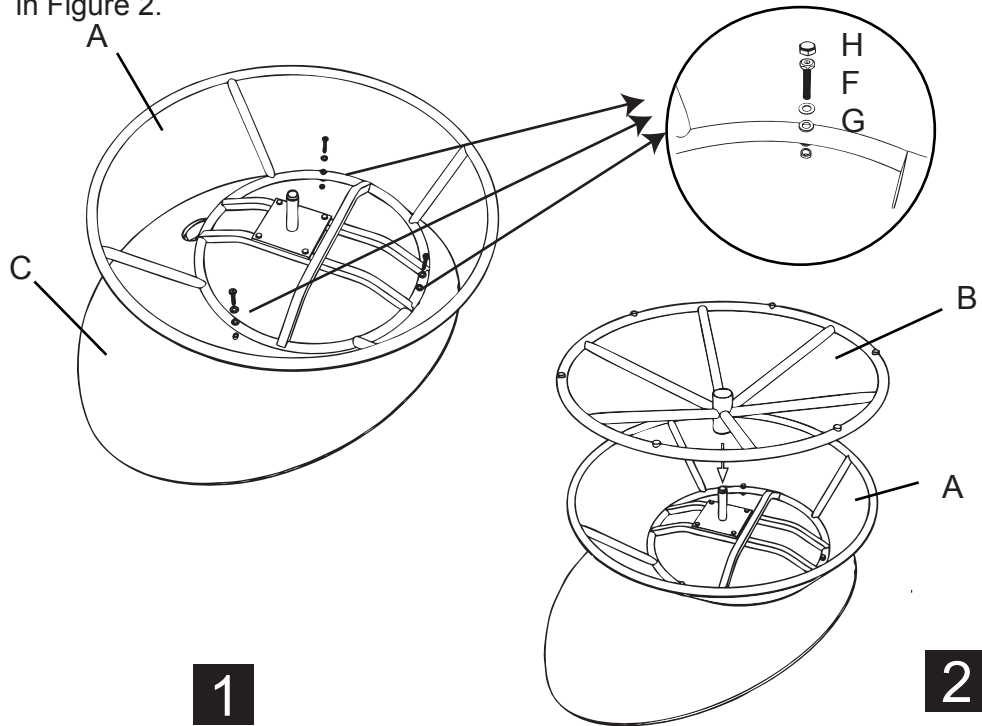
Step 1










Carefully turn the Upper Chair Frame (C) upside down on a non-abrasive surface, attach the Chair Base (A) to the Upper Chair Frame (C) with Bolt (F) and Washer (G). Once the alignment is correct, tighten all the bolts and then cover all the bolts with Plastic Cap (H) in Figure 1.

MAKE SURE WHITE HOLE ON THE FRAME A ALIGN TO THE WHITE HOLE ON THE FRAME B.

Step 2

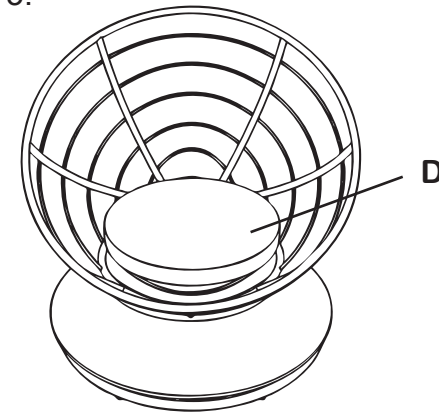
Insert the Swivel Base(B) into the finished chair frame's base (A) as shown in Figure 2.



Parts List							
A	Chair Base		1	B	Swivel Base		1
C	Upper Chair Frame		1	D	Cushion 1		1
E	Cushion 2		1	F	Bolt (M6*40mm)		3
G	Washer		3	H	Plastic Cap		3
I	Allen Wrench		1				

Step 3

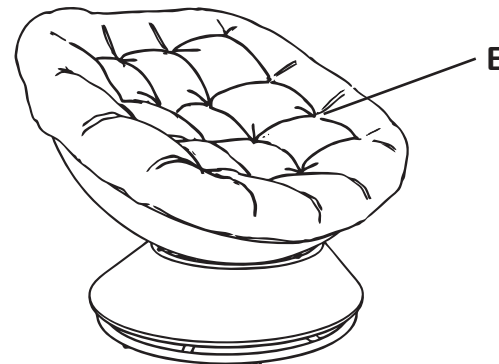
Turn your chair right side up, and put on the Cushion 1 (D) as shown in Figure 3.



3

Step 4

Put on the Cushion 2 (E) as shown in Figure 4. Now your Chair is ready for your enjoyment.



4