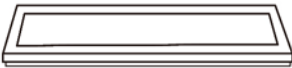

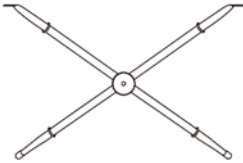






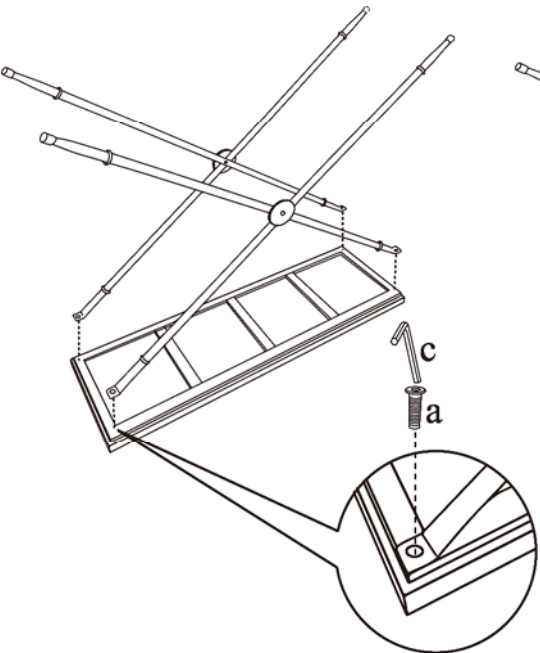
Assembly Instructions

PART LIST

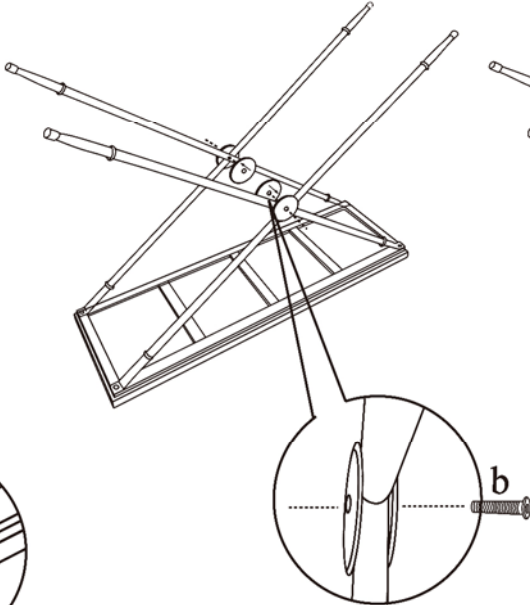
				a 	b 	c 
Desktop	Bar	Leg	Pad	Short screw	Long screw	Allen key
1PC	1PC	2PCS	2PCS	4PCS	2PCS	1PC

2)step by step Instructions

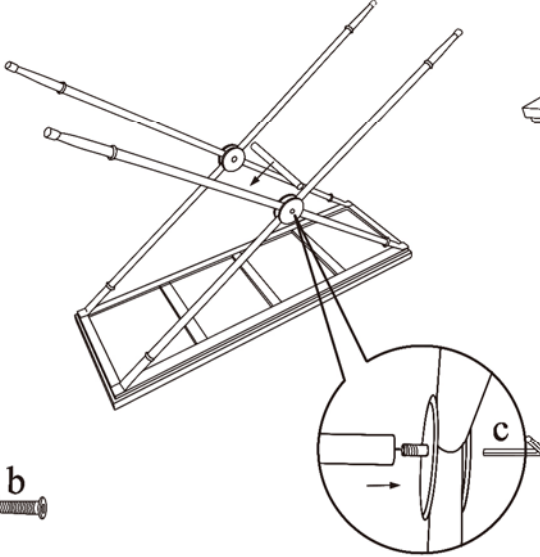
STEP 1



STEP 2



STEP 3



COMPLETION

