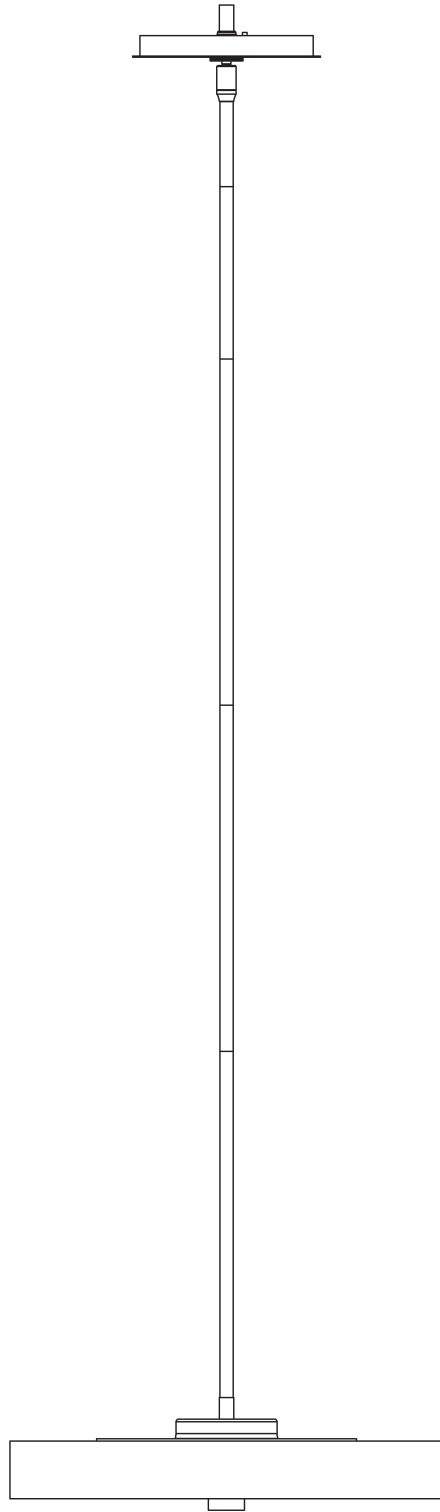


ASSEMBLY & INSTALLATION INSTRUCTIONS

A827

Disq LED Pendant 139710



Component Parts

- A Fixture**
- B Crossbar**
- C Jam Nut**
- D Threaded Nipple**
- E Ground Screw**
- F Canopy Ring**
- G Canopy**
- H Swivel**
- I 3" Fixture Pipe (1)**
- J 6" Fixture Pipe (1)**
- K 12" Fixture Pipe (3)**
- L Stem Nipple (5)**
- M Shade**
- N Upper Diffuser**
- O Lower Diffuser**
- P Nipple**
- Q Finial**
- R Shade Assembly**



ASSEMBLY & INSTALLATION INSTRUCTIONS

A827

Disq LED Pendant 139710

CAUTION: FAILURE TO INSTALL THIS FIXTURE PROPERLY MAY RESULT IN SERIOUS PERSONAL INJURY OR DEATH AND PROPERTY DAMAGE. We recommend installation by a licensed electrician. This product must be installed in accordance with applicable installation code(s), by a person familiar with the construction and operation of the product and the hazards involved.*

Caution: Do not exceed maximum wattage noted on fixture. Use only recommended bulbs with fixture.

Please Note: After installation extra hardware and accessories are possible due to our kits are used on multiple products and options.

To Install Fixture (Figure 1) on following page

CAUTION: BE SURE POWER IS OFF AT THE MAIN BREAKER BOX PRIOR TO INSTALLATION.

1. Carefully unpack fixture (A) from the carton.
2. Thread jam nut (C) and crossbar (B) onto threaded nipple (D) with ground screw (E) facing towards swivel (H); leave both parts loose.
3. Using two machine screws (not provided), temporarily fasten crossbar (B) to the electric box.

NOTE: A NEW ELECTRIC BOX COMES WITH SCREWS. WHEN REPLACING A FIXTURE, RETAIN THE EXISTING SCREWS FOR USE WITH THE NEW FIXTURE.

4. Adjust the length of threaded nipple (D) in crossbar (B) so that canopy ring (F) will hold canopy (G) against the ceiling with no threads showing for best appearance. When the correct adjustment is established, tighten jam nut (C) against crossbar (B) to secure the adjustment.
5. Remove crossbar (B) from the electrical box and proceed with the assembly instructions.
6. Locate fixture pipes (I, J, K), fixture (A), stem nipples (L) . Stem nipples (L) can be found in the kit bag.
7. Provided are multiple fixture pipes in three different lengths. Choose the combination that will achieve the overall height desired. Refer to the table below to determine the pipes required to reach the desired overall height. Once you have determined the components necessary, feed the wires that exit fixture (A) through the individual components and thread pipes and nipples together. Wires will slip easier through loose components than through pipes and nipples that are pre-assembled. Once wires are run, apply thread locking compound to all the connection points and assemble the pipes and nipples.

		Overall Height of Fixture														
		9.2	12.2	15.2	18.2	21.2	24.2	27.2	30.2	33.2	36.2	39.2	42.2	45.2	48.2	51.2
# of Pipes Required	3" Pipe (I)	1		1		1		1		1		1		1		1
	6" Pipe (J)		1	1			1	1			1	1			1	1
	12" Pipe (K)				1	1	1	1	2	2	2	2	3	3	3	3

NOTE: APPLICATION OF THE THREAD LOCKING COMPOUND IS NECESSARY TO PREVENT THE PIPE FROM LOOSENING DURING REGULAR MAINTENANCE AND CLEANING OF THE FIXTURE. BE CERTAIN TO APPLY THE COMPOUND.

8. Carefully slide canopy ring (F) and canopy (G) over wires and fixture pipes (I, J, K) until they rest on fixture (A).
9. Slip wires from the fixture (A) through assembled swivel (H) and threaded nipple (D).
10. Refer to instructions on next page to continue installation.

ASSEMBLY & INSTALLATION INSTRUCTIONS

A827

Disq LED Pendant 139710

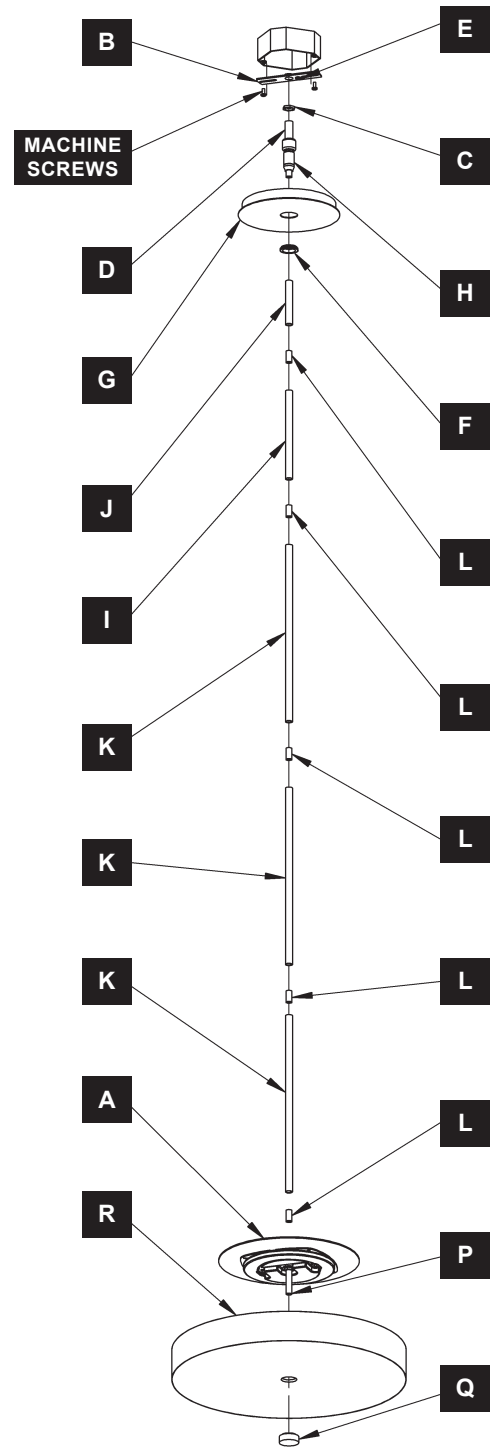
- Using two machine screws (not provided), fasten crossbar (B) to the electric box.
- Using suitable wire connectors (not provided) connect fixture wires to supply (white/ribbed to white and black/smooth to black). Attach a pigtail lead to crossbar ground screw (E). Hold canopy (G) close, connect all ground wires (bare copper or green to bare copper or green).

CAUTION: MAKE SURE WIRE CONNECTORS ARE TWISTED ON SECURELY, AND NO BARE WIRE IS EXPOSED.

- Slide canopy (G) against ceiling, and secure with canopy ring (F).

CAUTION: BE SURE NO WIRES ARE PINCHED BETWEEN CANOPY (H) AND THE CEILING.

- Refer to instructions on next assemble shade.
- Remove finial (Q) from stud (P).
- Raise shade/diffuser assembly (R) up so that upper diffuser presses against fixture (A).
- Secure shade/diffuser assembly (R) in place by attaching finial (Q) on stud (P). Be sure not to over tighten.
- Restore electricity at main breaker.



(Figure 1)

If you need further assistance, or find that you are missing any parts, please contact the dealer from which you purchased this product. We hope you enjoy your fixture!

**Hubbardton Forge will not be liable for injury or damage caused by improper installation, lamping or use of this fixture.*

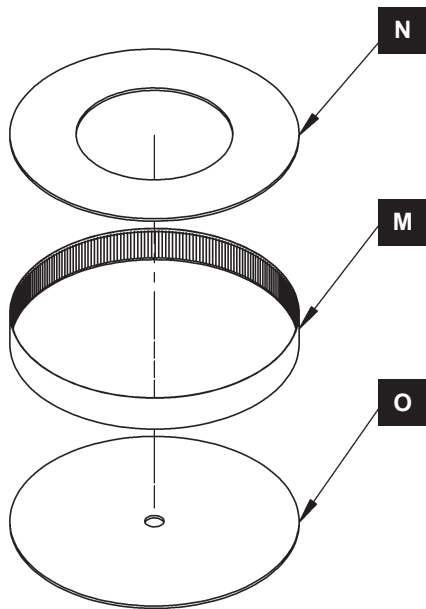
Disq LED Pendant 139710

To Assemble Shade (Figure 2 & 3)

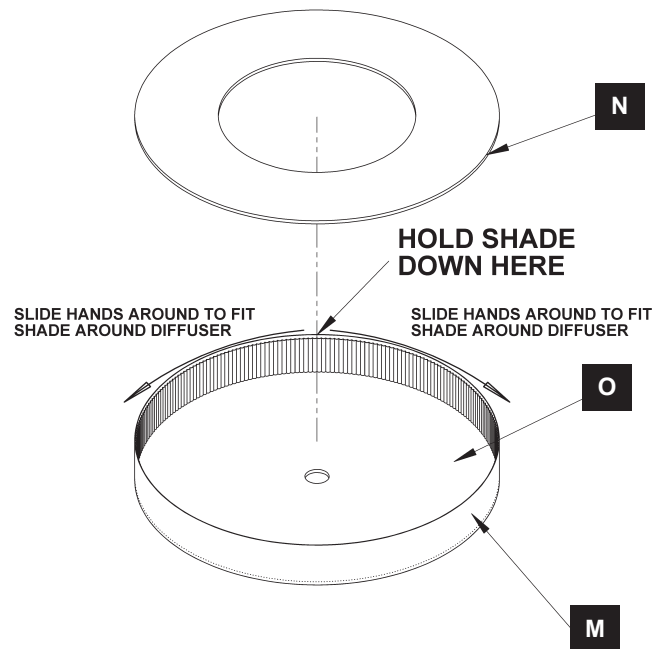
1. Place lower diffuser (O) on a flat surface.

Note: An additional person will greatly aid in assembling the shade/diffuser assembly.

2. Fit shade (M) over diffuser (O) in one spot. Hold shade in place while a second person grasps the shade, slides their hands around the diffuser, fitting shade in place. (Figure 3)
3. Install upper diffuser (N) in similar manner. Fit diffuser (N) inside the shade (M) in one spot. Hold diffuser (N) in place while a second person reaches inside the diffuser (N) and slides their hands around the inside of the shade (M), allowing the rest of the diffuser (N) to set down in the shade (M).



(Figure 2)



(Figure 3)

