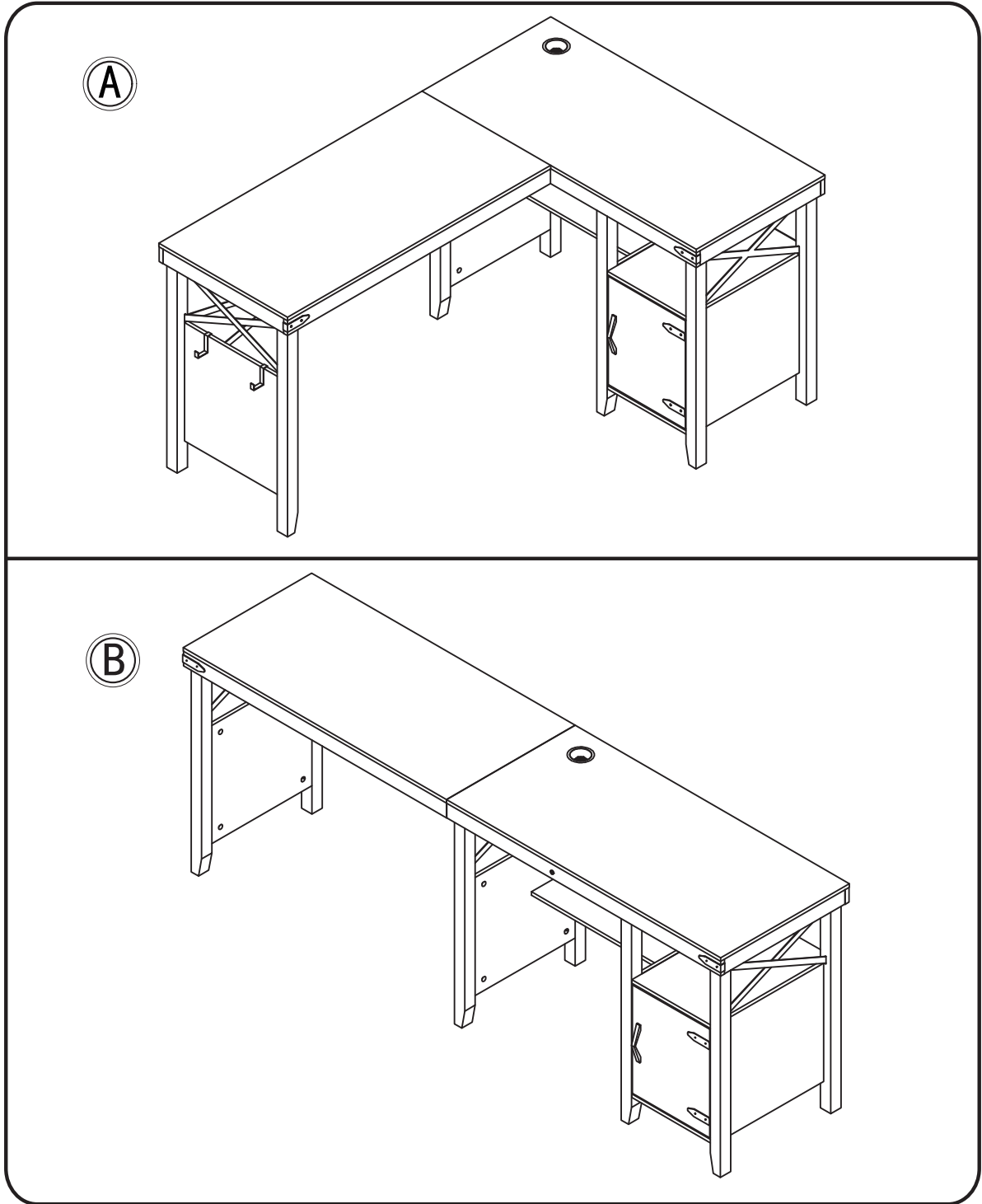


Convertible Writing Desk with Cabinet



HELPFUL HINTS

! BEFORE YOU START

- Inspect product packaging to ensure the appearance is good.
- Read the assembly instruction carefully and follow it step by step.
- To avoid any scratching, putting a soft blanket on the floor is suggested.
- Identify, sort and count all the parts with tags.
- Find out installation position according to the drawing and install it in correct steps.

! OTHER

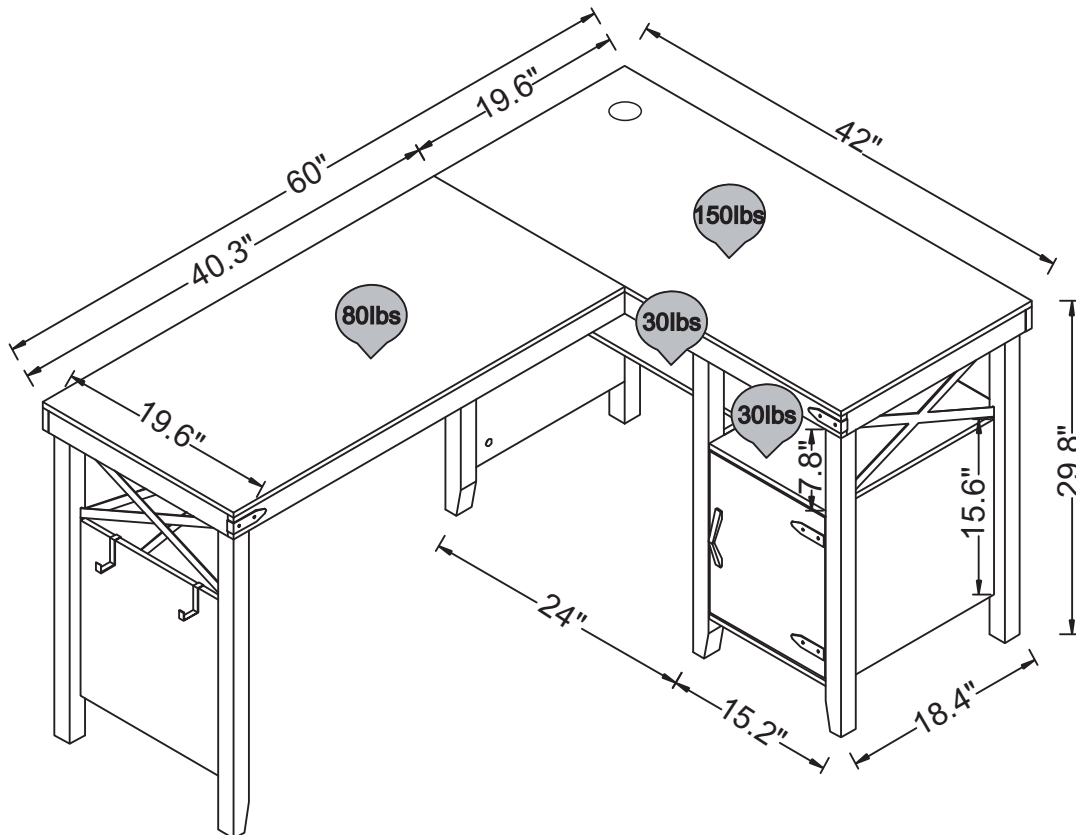
- People needed for assembly: 2
- Estimated assembly time: 2-2.5 hours
- Please use your own Phillips Head Screwdriver and Flat Head Screwdriver.

! CAUTION

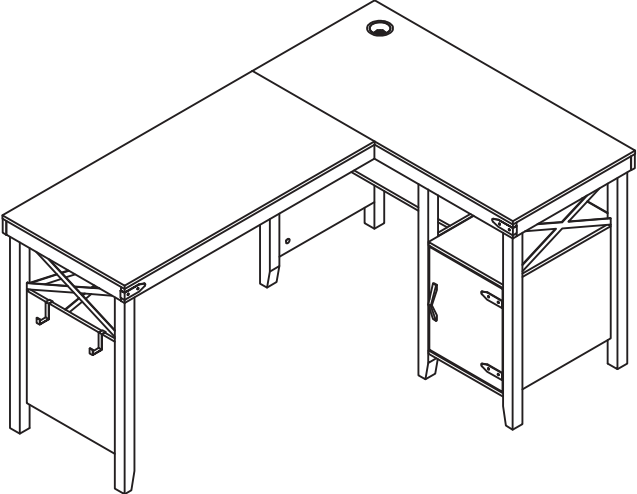
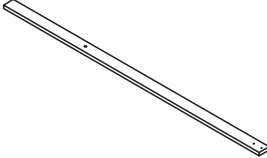
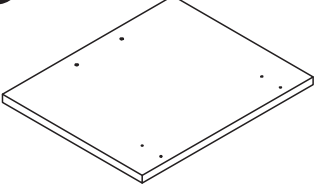
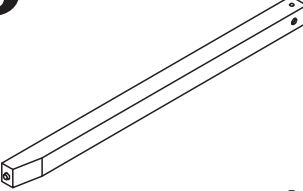
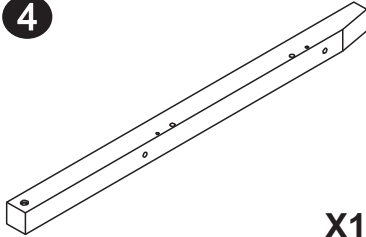
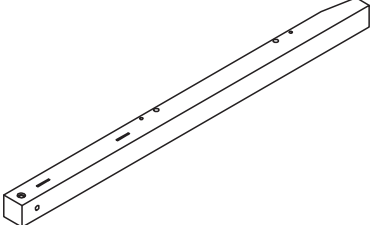
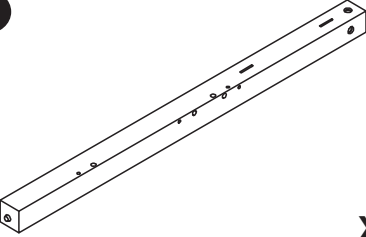
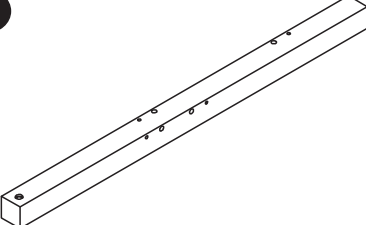
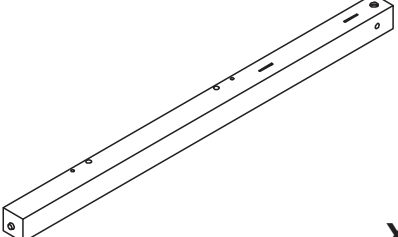
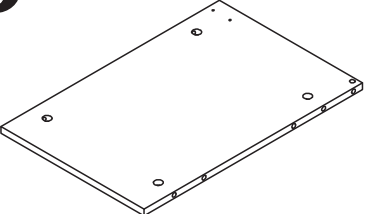
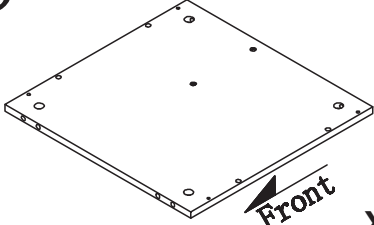
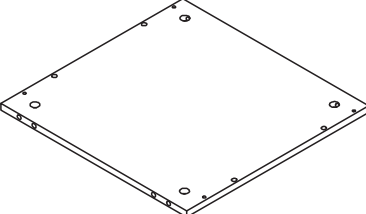
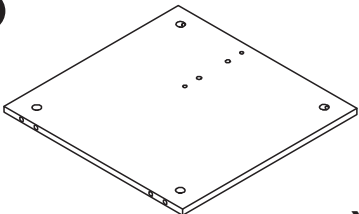
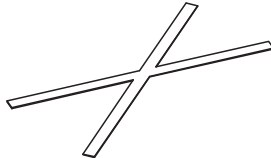
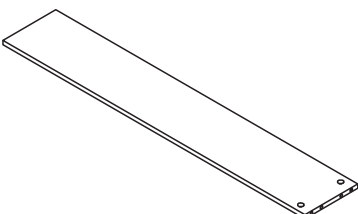
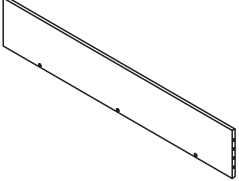
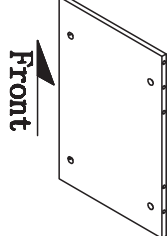
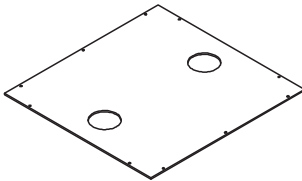
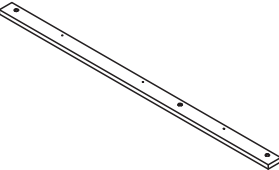
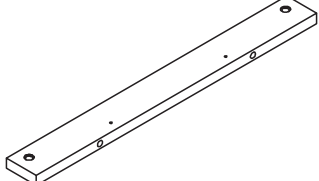
- Be cautious when using a power drill or power screwdriver.
- Please be aware to slow down and stop when screw is nearly tight.
- Do Not use any harsh chemicals or abrasive cleaners for this item.
- Push, pull or drag this item carefully.

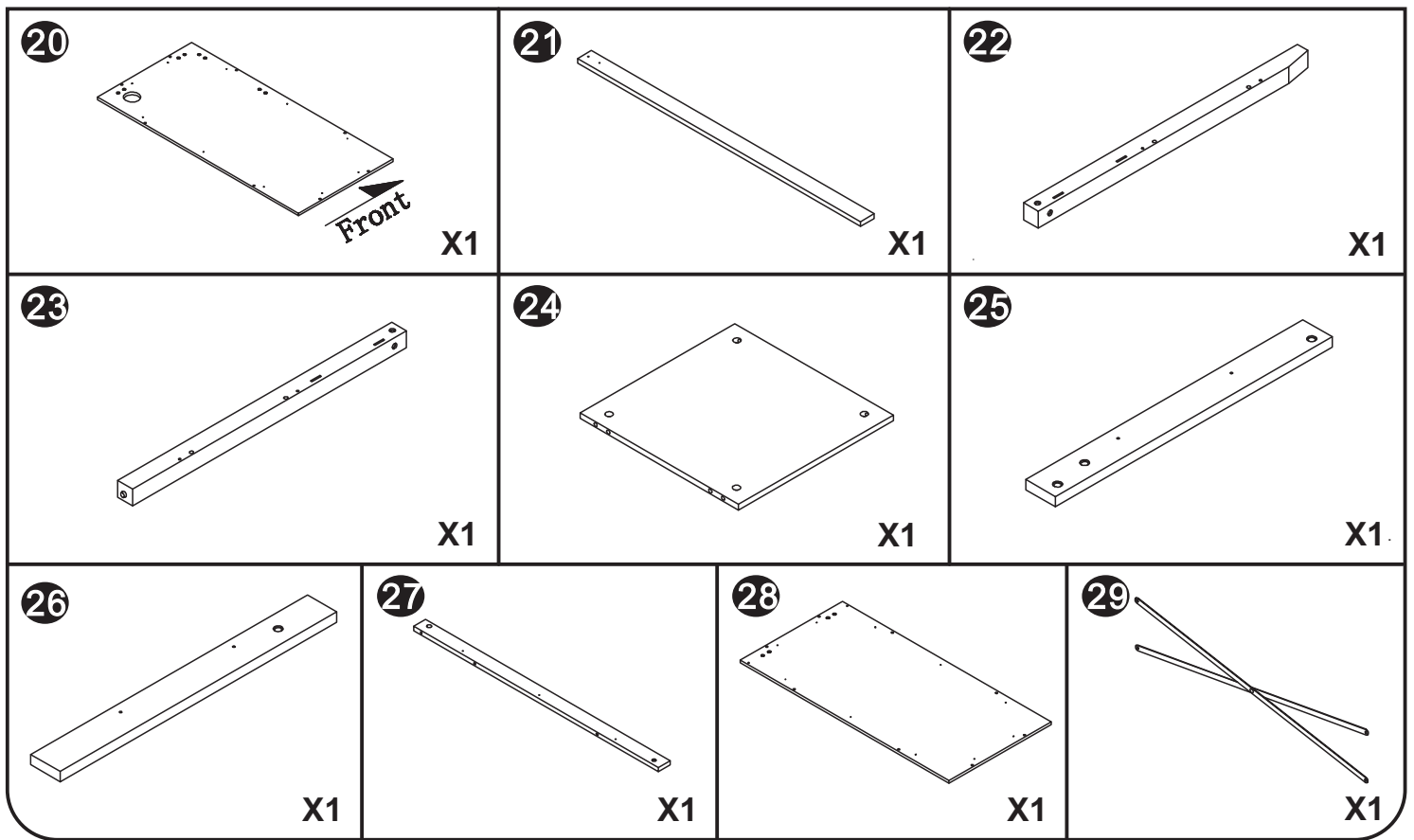
DETAILS

UNIT: INCH



PART LIST

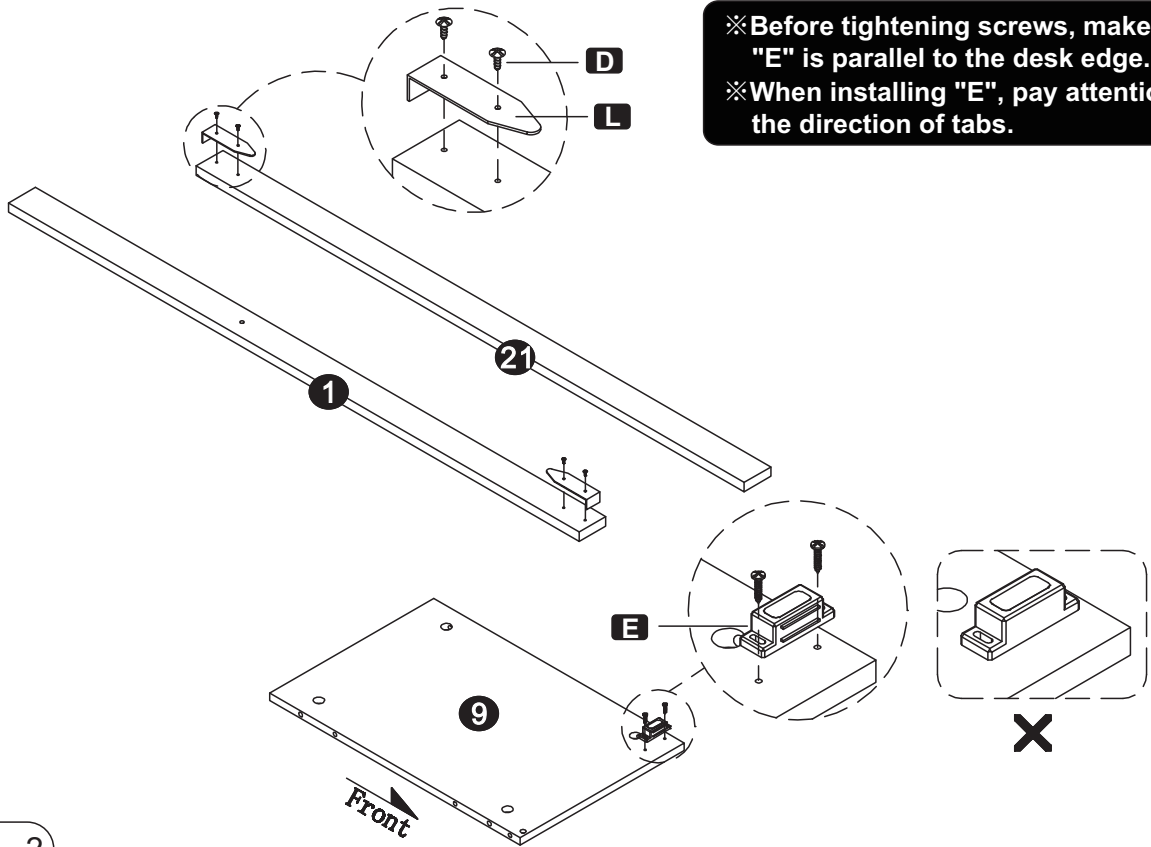
	<p>1</p>  <p>X1</p>	<p>2</p>  <p>X1</p>
	<p>3</p>  <p>X1</p>	<p>4</p>  <p>X1</p>
<p>5</p>  <p>X1</p>	<p>6</p>  <p>X1</p>	<p>7</p>  <p>X1</p>
<p>8</p>  <p>X1</p>	<p>9</p>  <p>X1</p>	<p>10</p>  <p>X1</p>
<p>11</p>  <p>X1</p>	<p>12</p>  <p>X1</p>	<p>13</p>  <p>X3</p>
<p>14</p>  <p>X1</p>	<p>15</p>  <p>X1</p>	<p>16</p>  <p>X1</p>
<p>17</p>  <p>X1</p>	<p>18</p>  <p>X1</p>	<p>19</p>  <p>X2</p>



ACCESSORY LIST

CODE	PICTURE	SIZE	QTY	CODE	PICTURE	SIZE	QTY
A		Ø6*43mm	32+3	J			1
B		Ø15*10mm	32+3	K			2
C		Ø6*30mm	54+3	L		85*25*16.5mm	2
D		3.5*12mm	62+3	M		85*25*1.5mm	2
E			1	N			1
F			1	P		1/4" *45mm	14+1
G		Ø4*40mm	5	Q		1/4" *10mm	12+1
H			20+1	R			2
				S		1/4" *30mm	2
							1

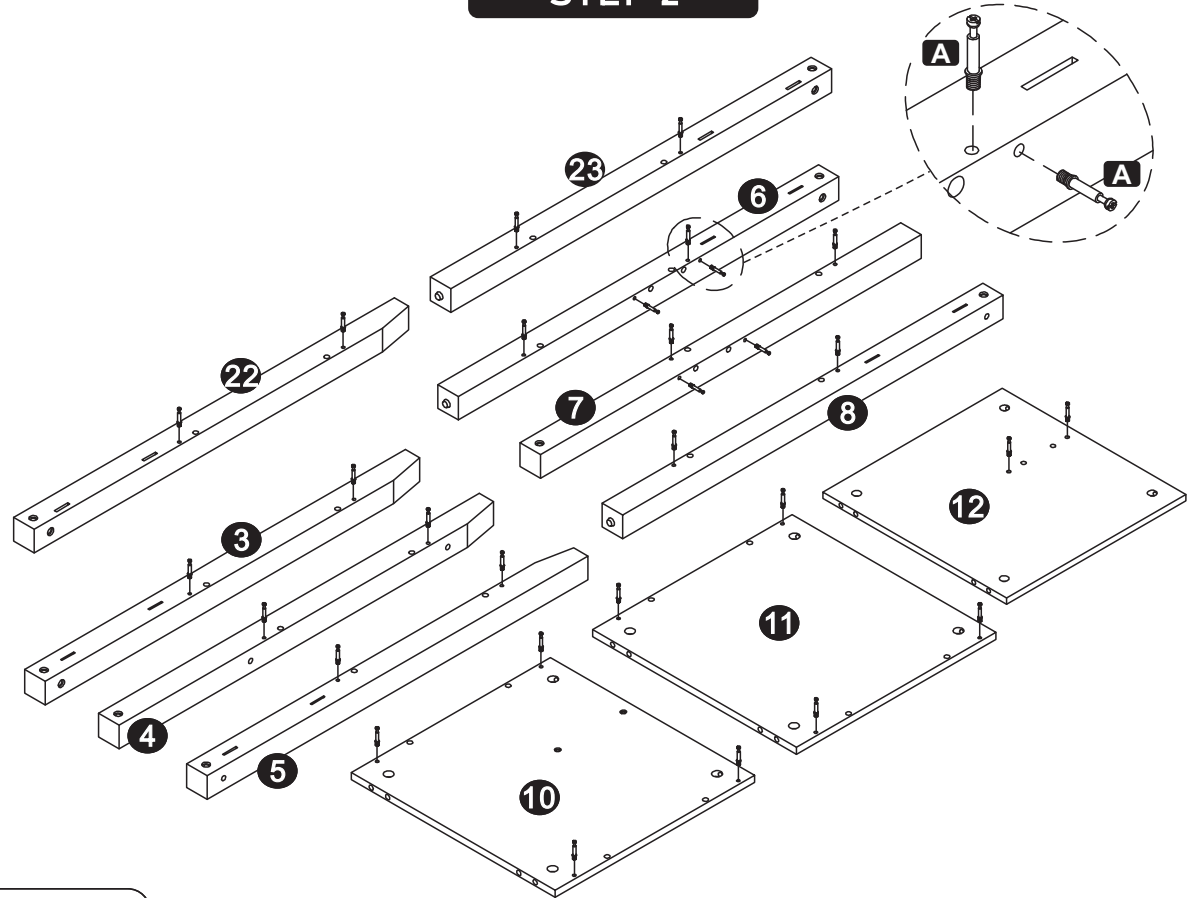
STEP 1



※ Before tightening screws, make sure "E" is parallel to the desk edge.
 ※ When installing "E", pay attention to the direction of tabs.

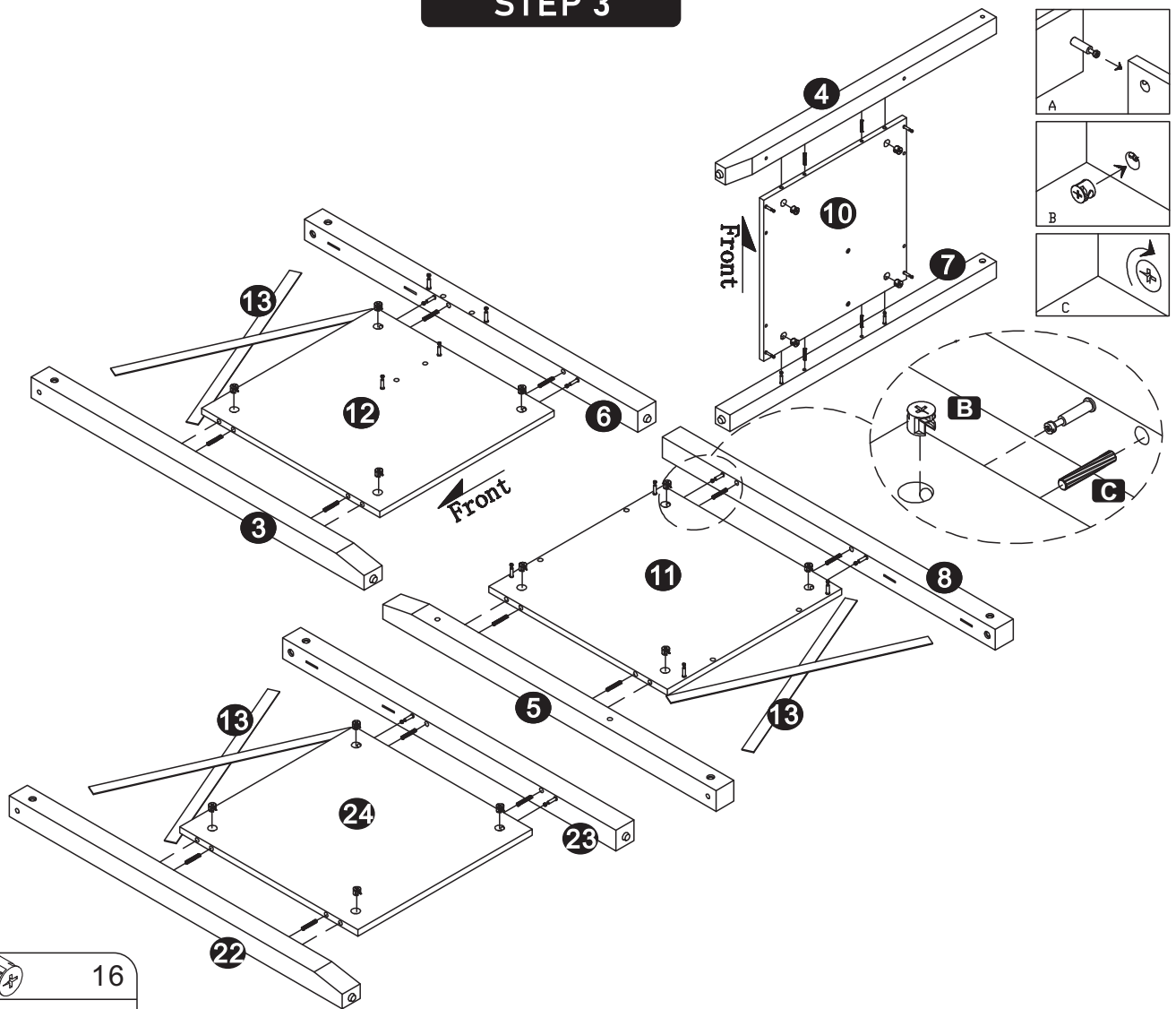
- | | | |
|----------|--|---|
| L | | 2 |
| E | | 1 |
| D | | 4 |



STEP 2



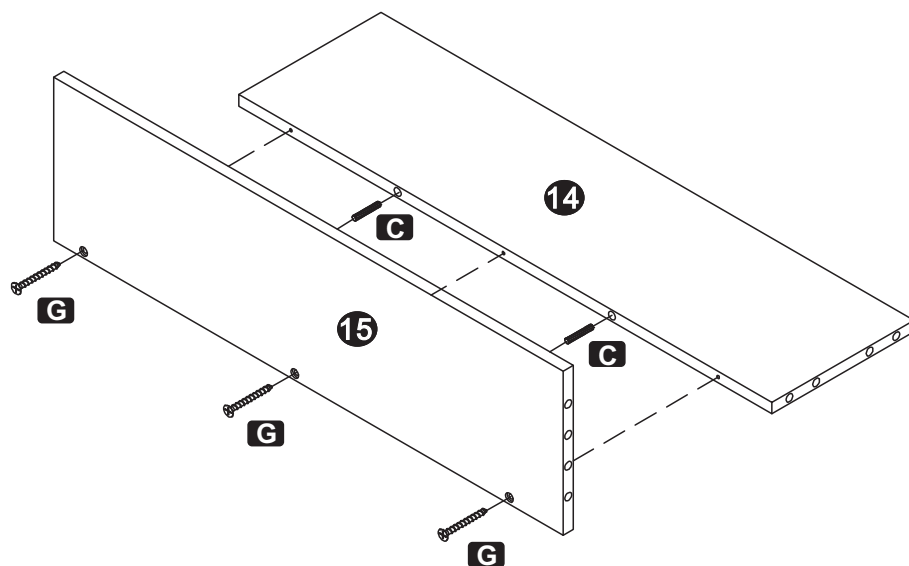
- | | | |
|----------|--|----|
| A | | 30 |
|----------|--|----|

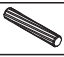

STEP 3



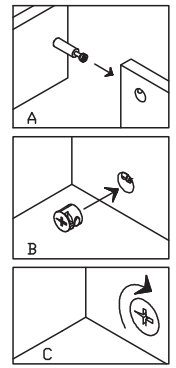
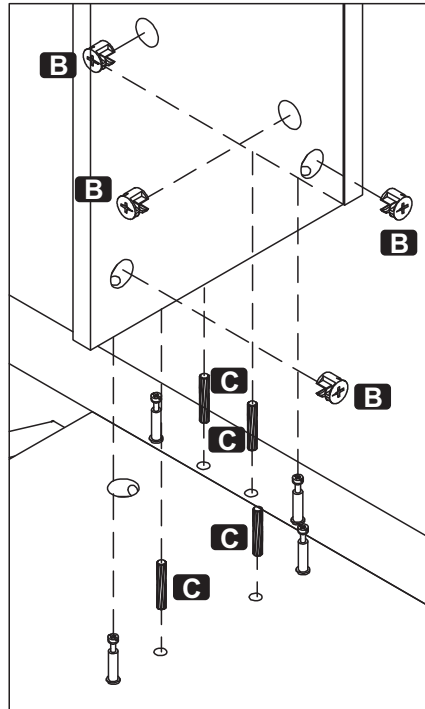
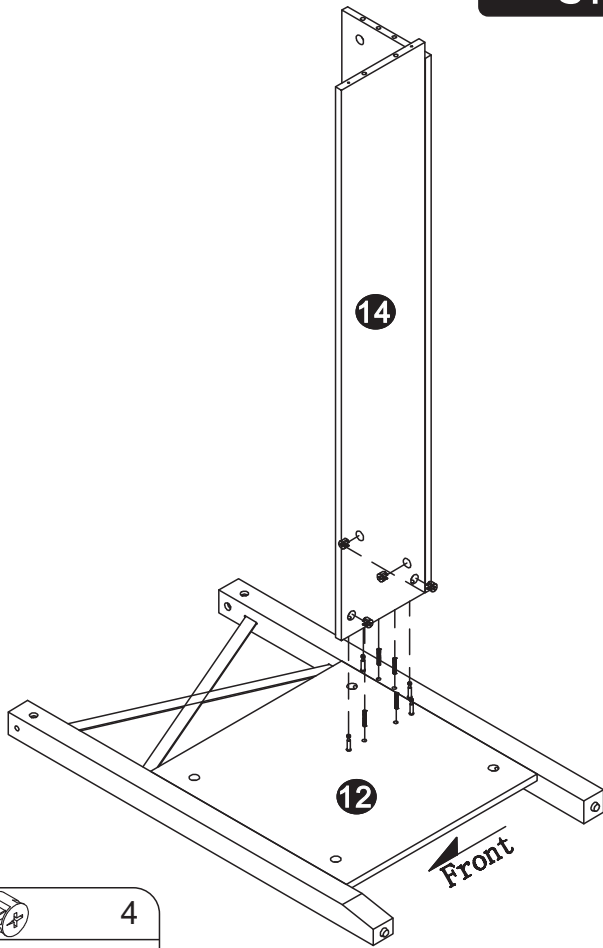
B		16
C		16

STEP 4



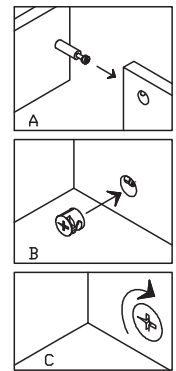
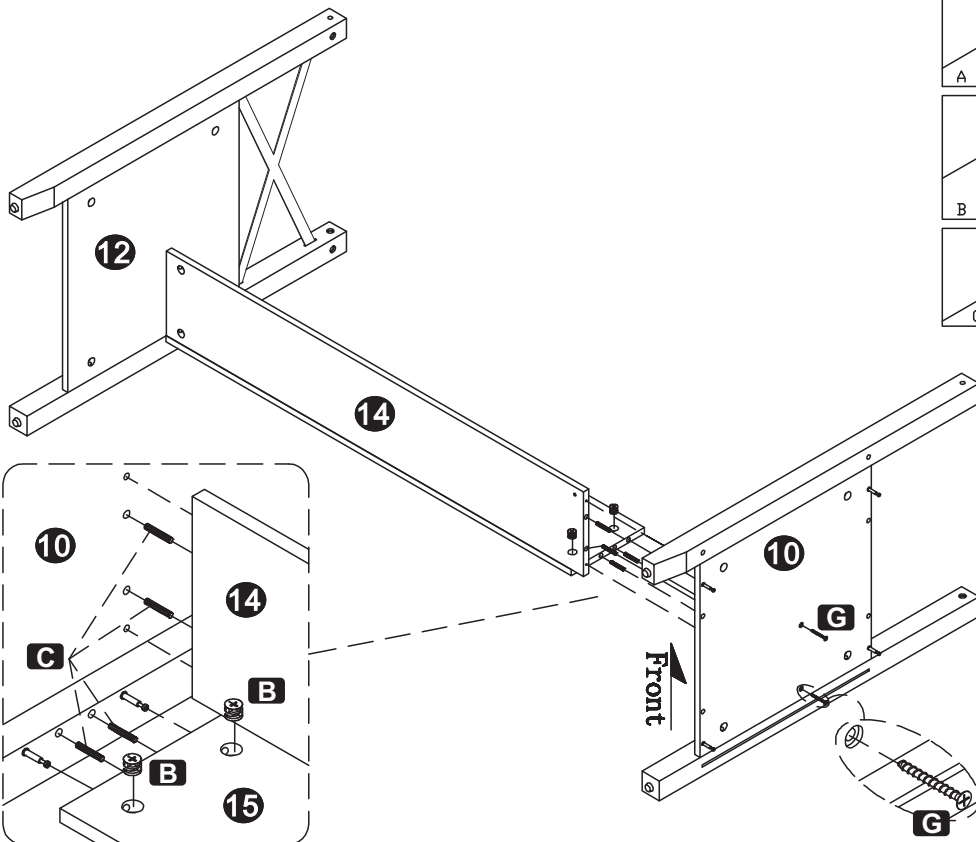
C		2
G		3

STEP 5



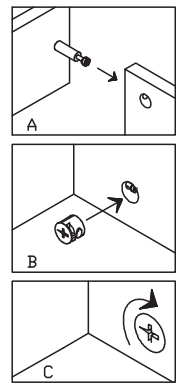
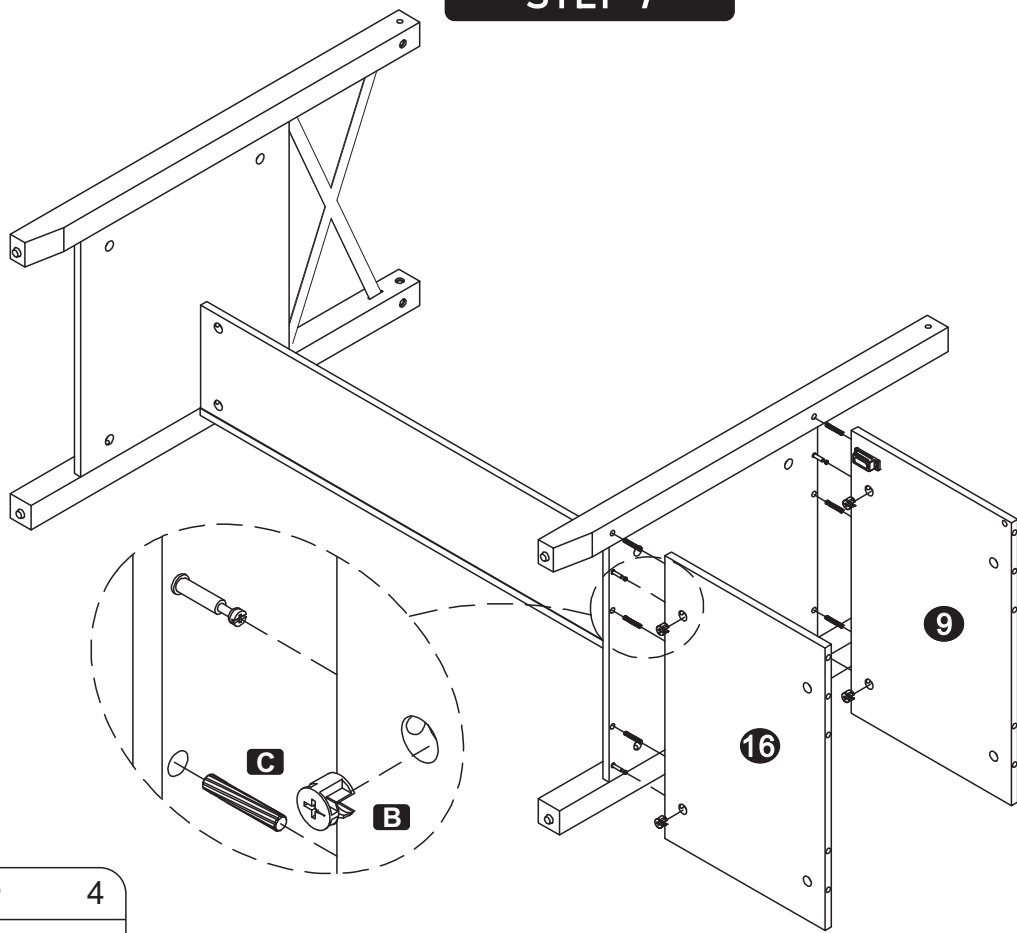
B		4
C		4

STEP 6



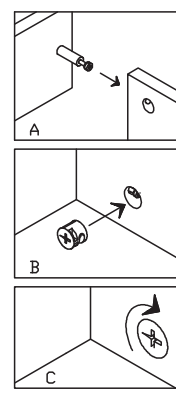
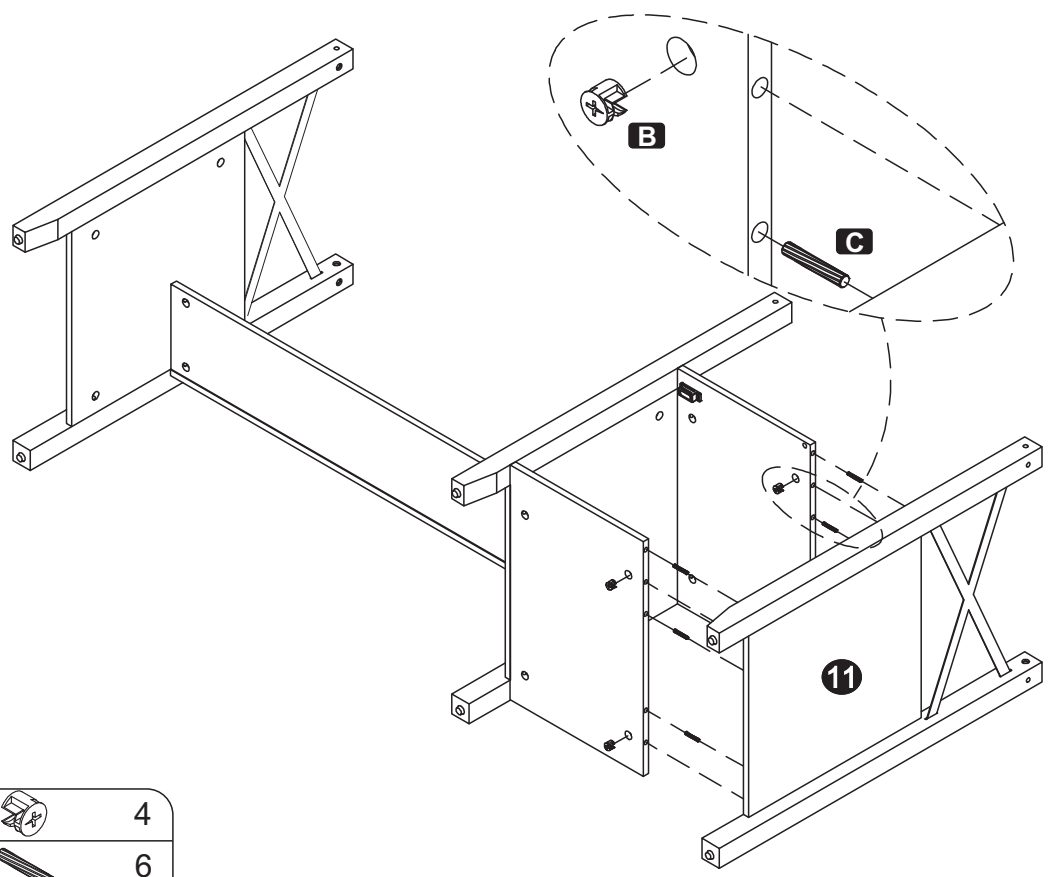
B		2	C		4	G		2
----------	--	---	----------	--	---	----------	--	---

STEP 7



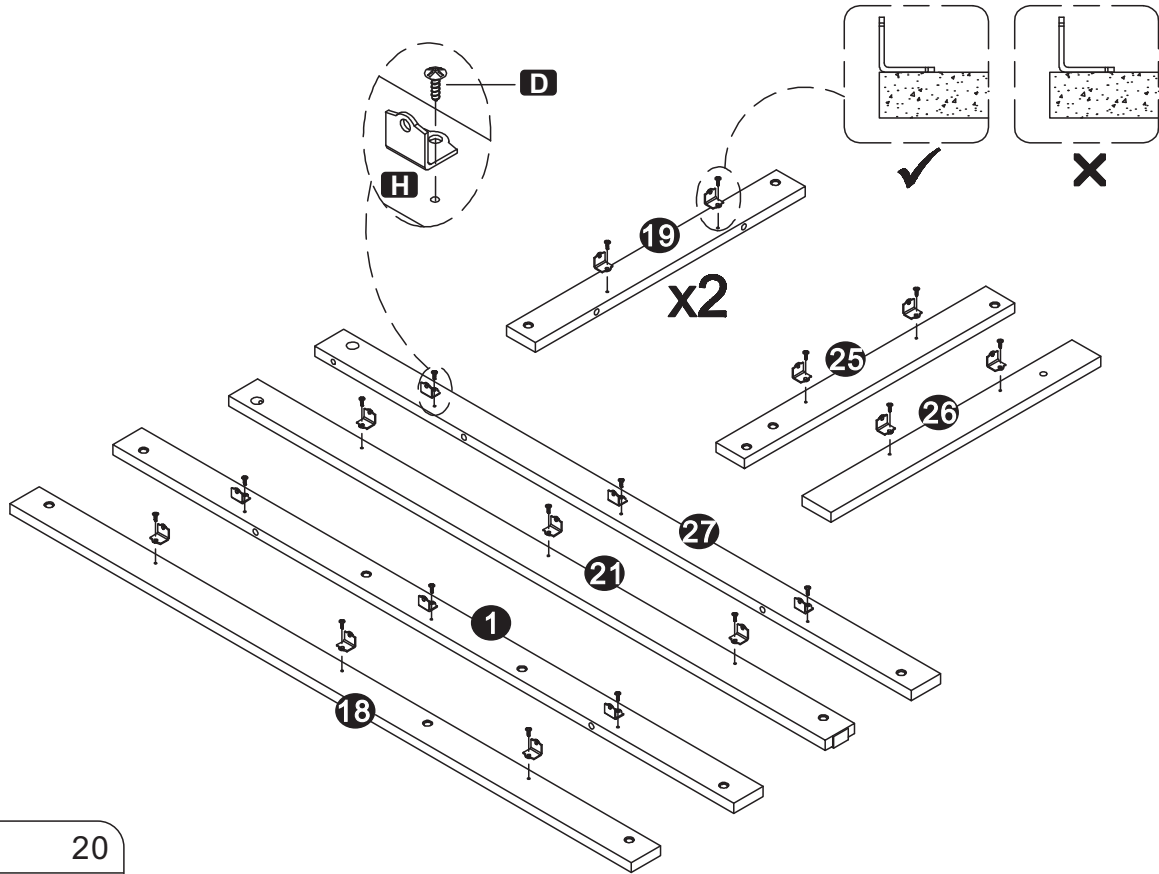
B		4
C		6

STEP 8



B		4
C		6

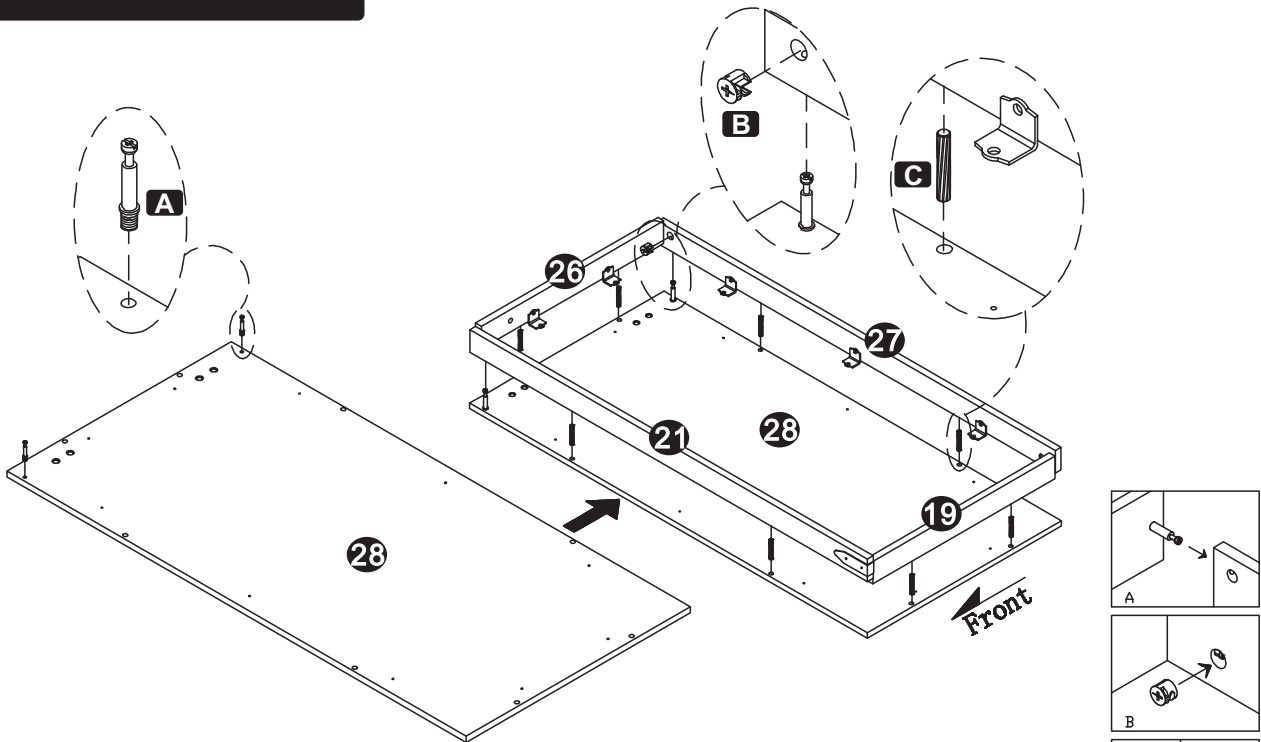
STEP 9



D		20
H		20

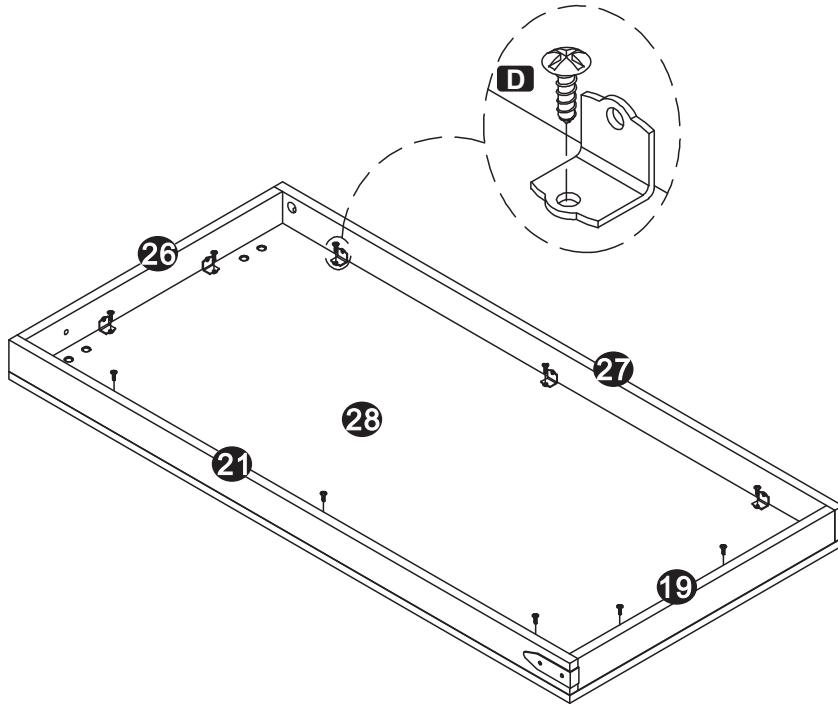
STEP 10

※Install "A" on Part 28 first.



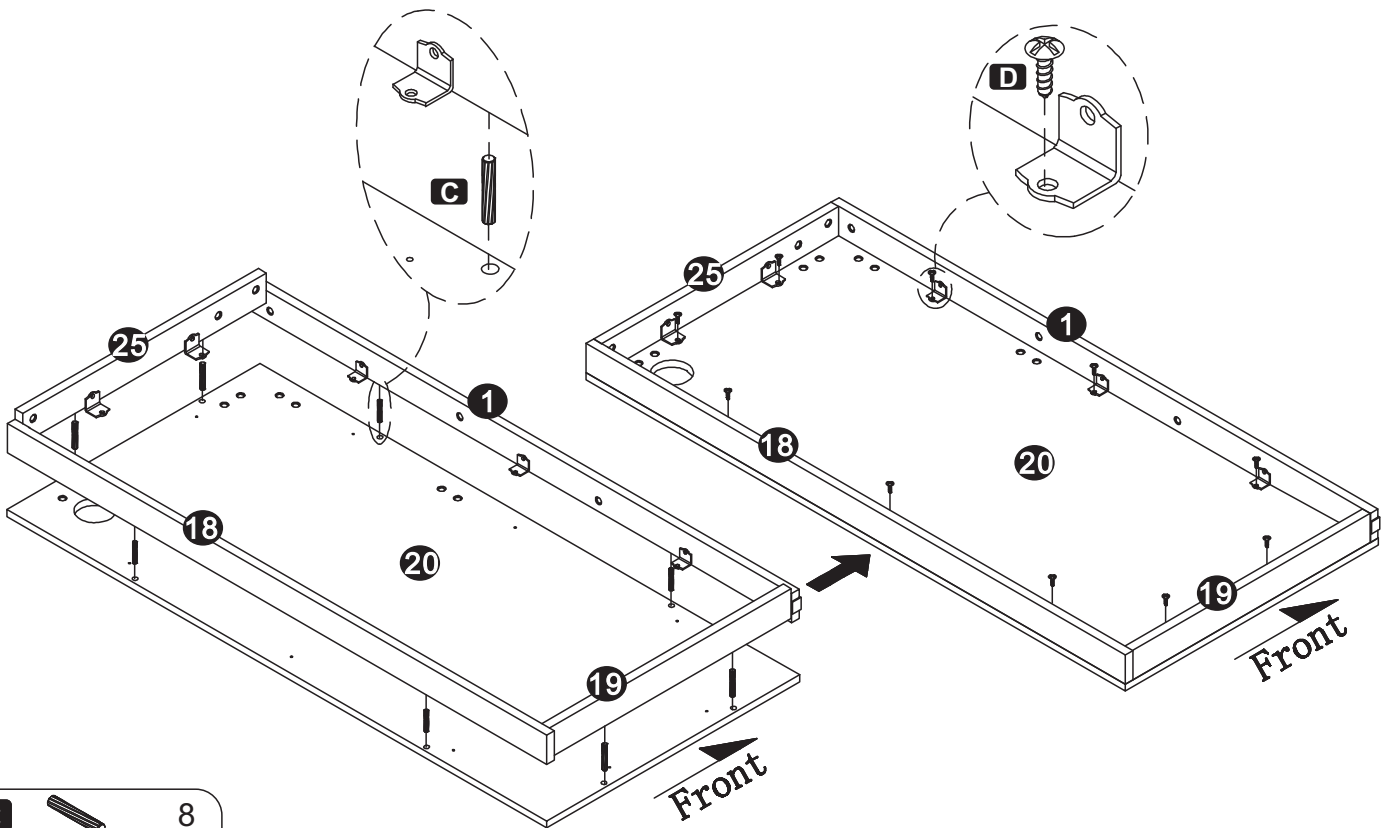
A		2	B		2	C		8
----------	--	---	----------	--	---	----------	--	---



STEP 11



D  10

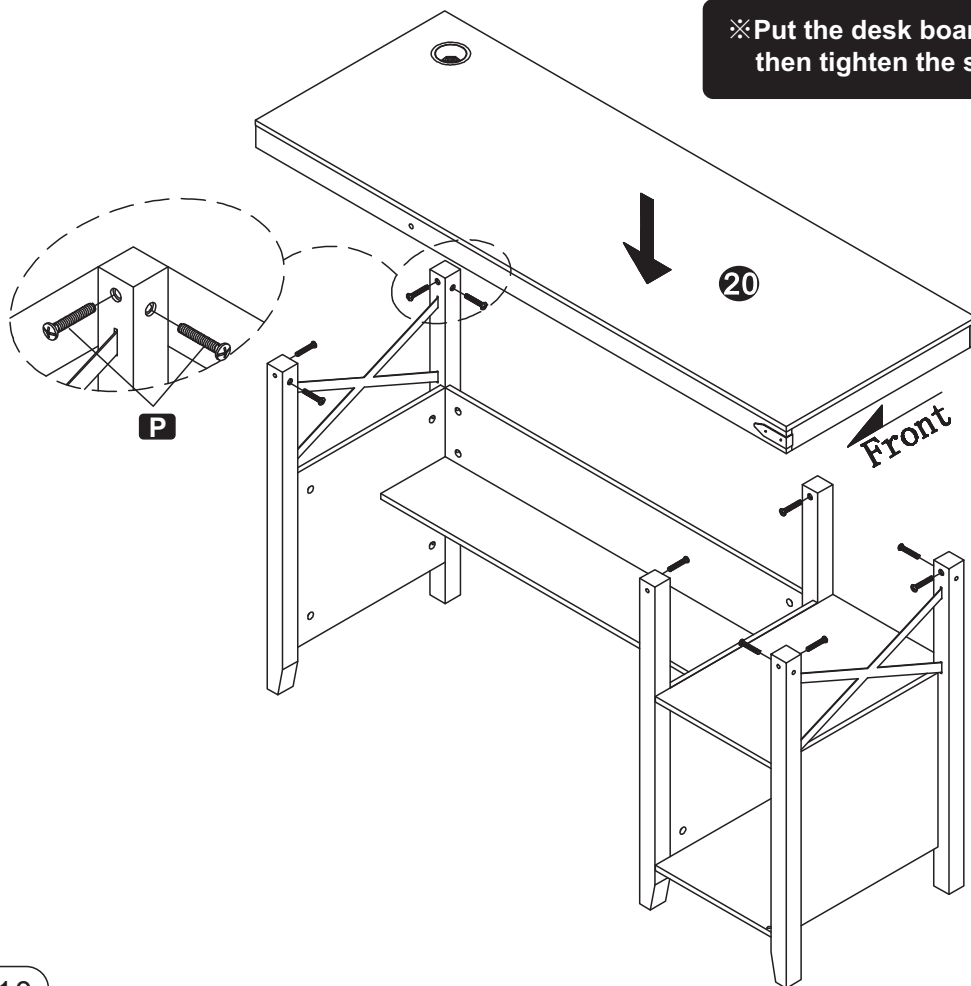
STEP 12



C  8
D  10

STEP 13

※Put the desk board over this frame, then tighten the screws.

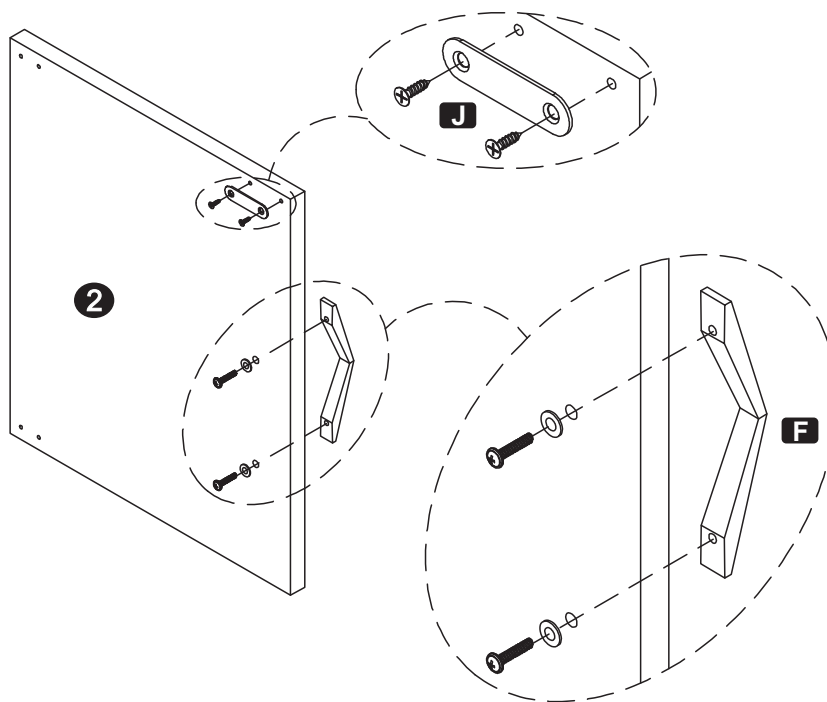


P



10

STEP 14

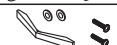


J



1

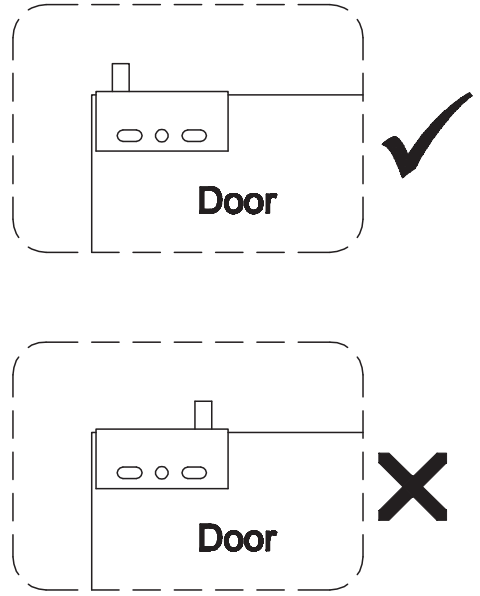
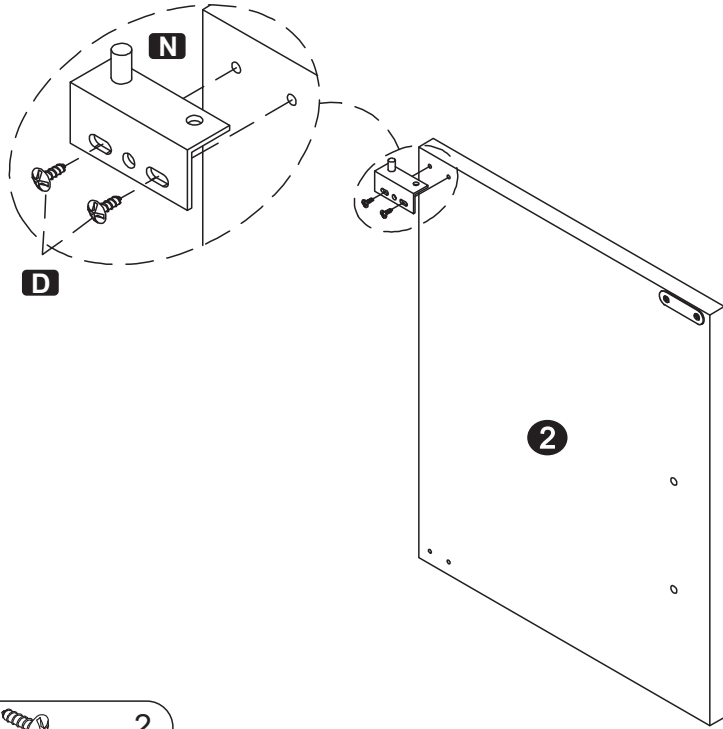
F



1

STEP 15

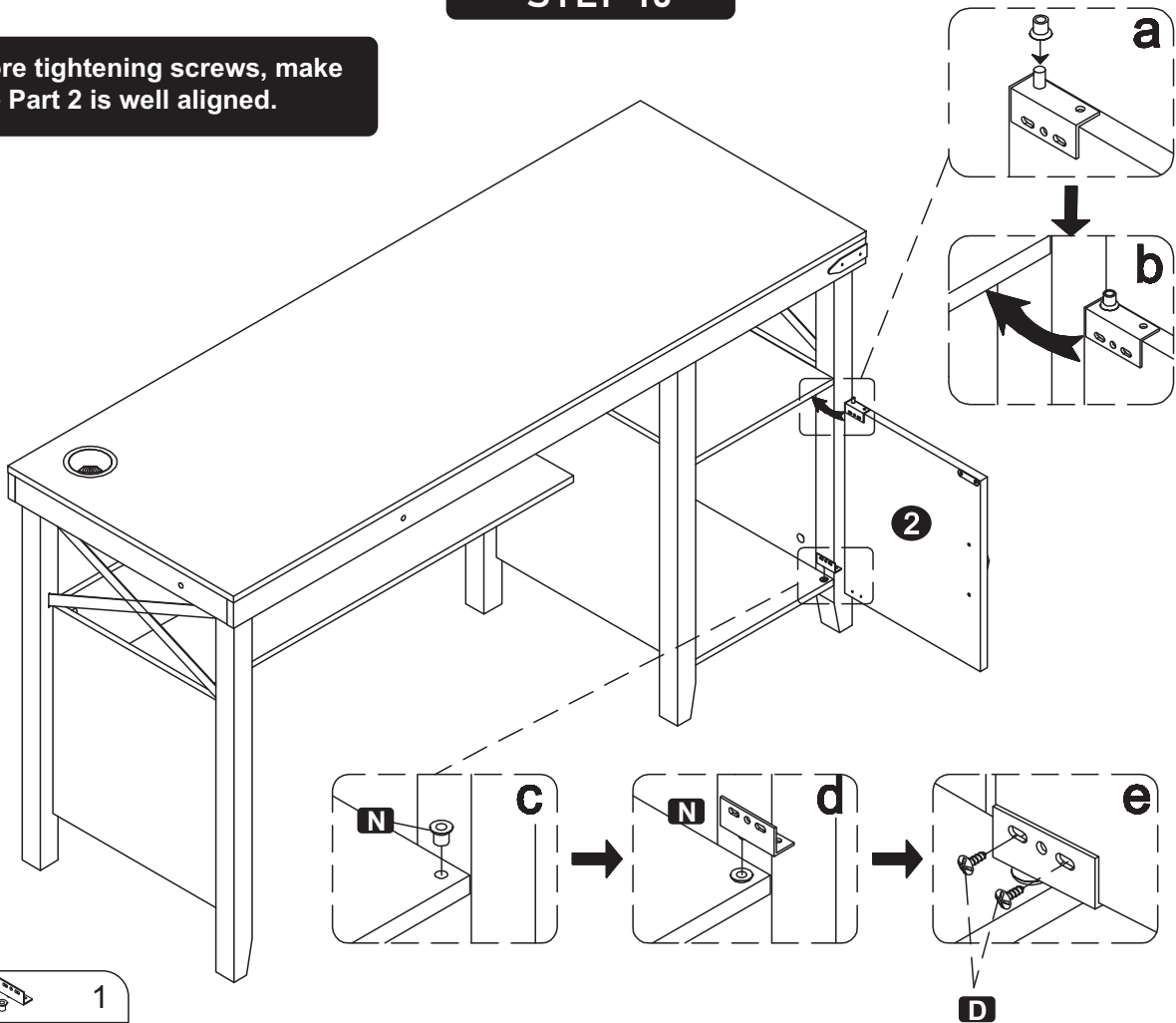
※Partially tighten Screw D.



D		2
N		1

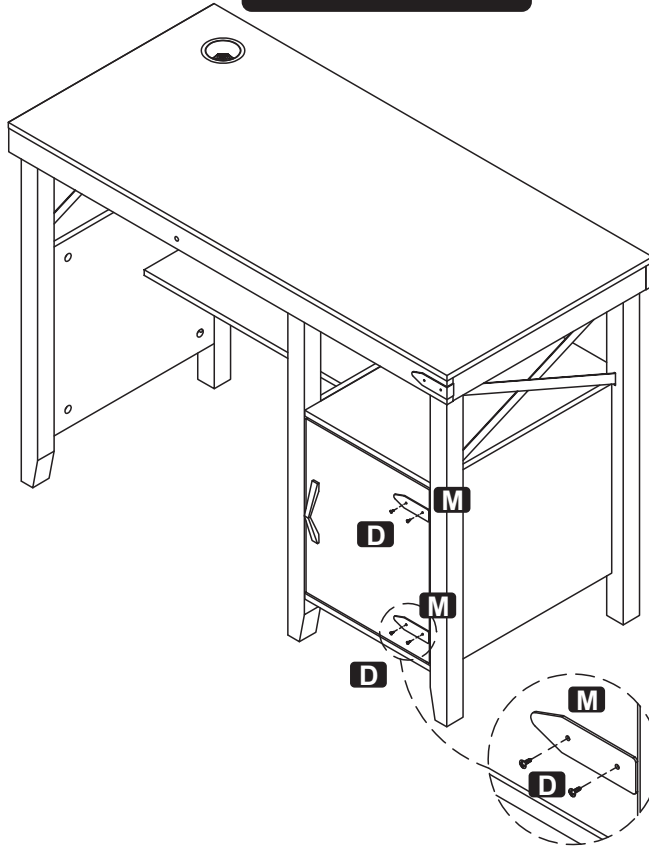
STEP 16



※Before tightening screws, make sure Part 2 is well aligned.



N		1
D		2

STEP 17



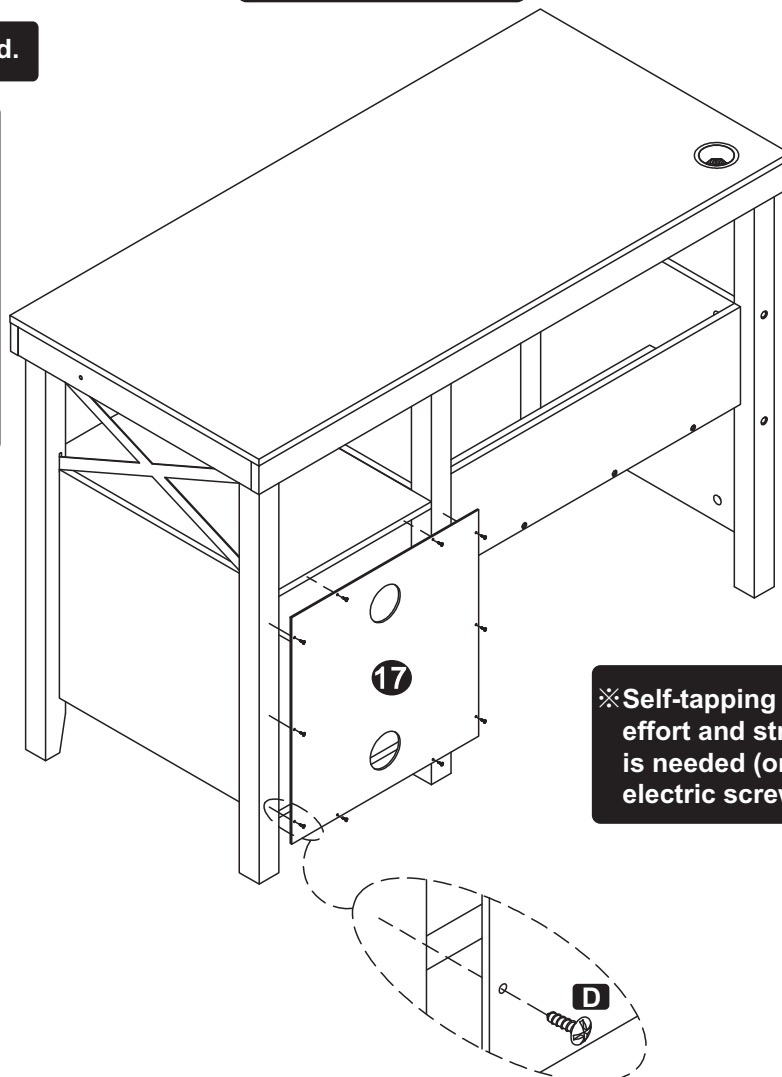
M		2
D		4

STEP 18



※Two persons are needed.

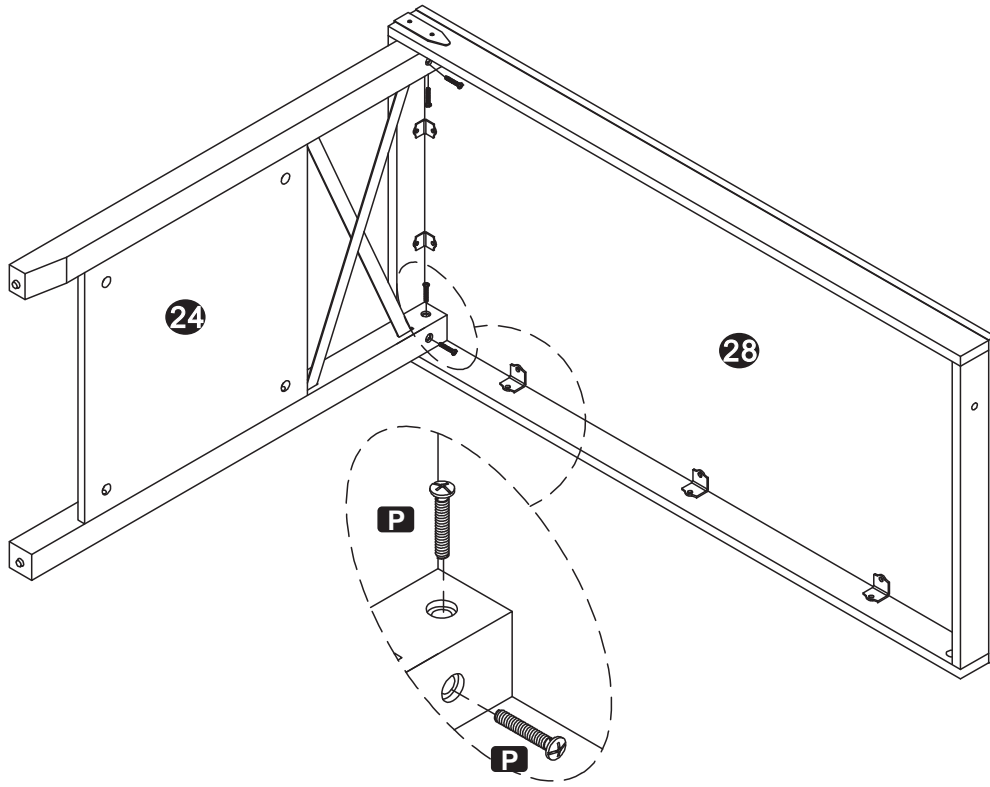
※Person 1 needs to hold Part 17 and make sure it is well-aligned. Person 2 then start tightening Screw D: firstly, 4 screws at the top and bottom of Part 17; secondly, 6 screws at the left and right side.



※Self-tapping screws: modest effort and strength for tightening is needed (or carefully use electric screwdrivers).

D		10
----------	---	----

STEP 19



P

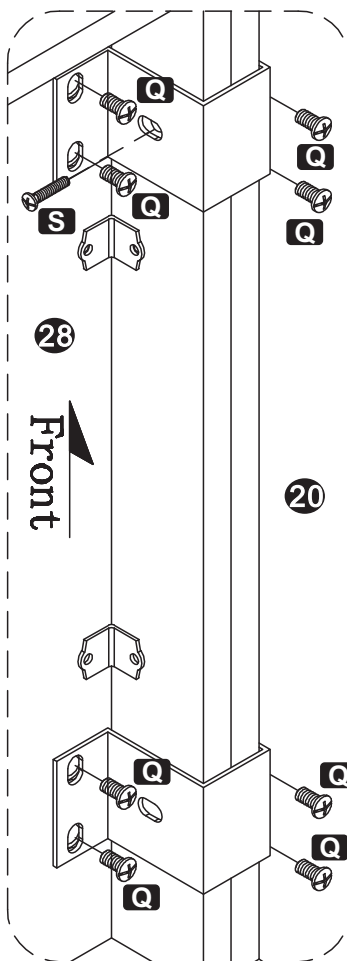
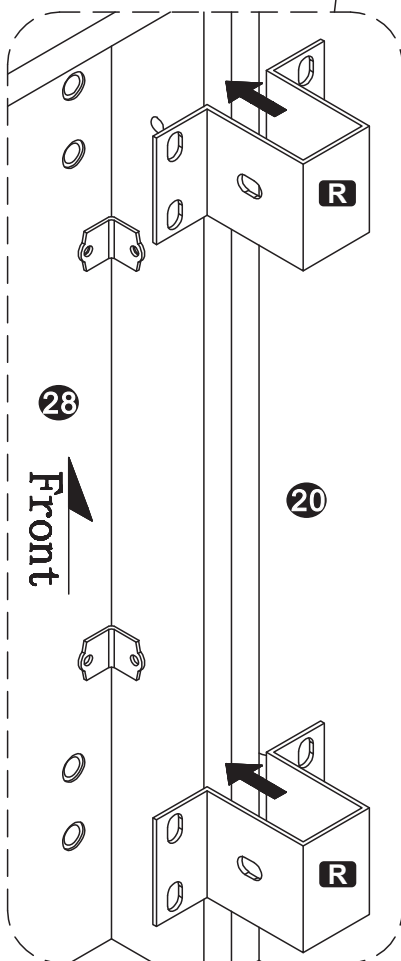
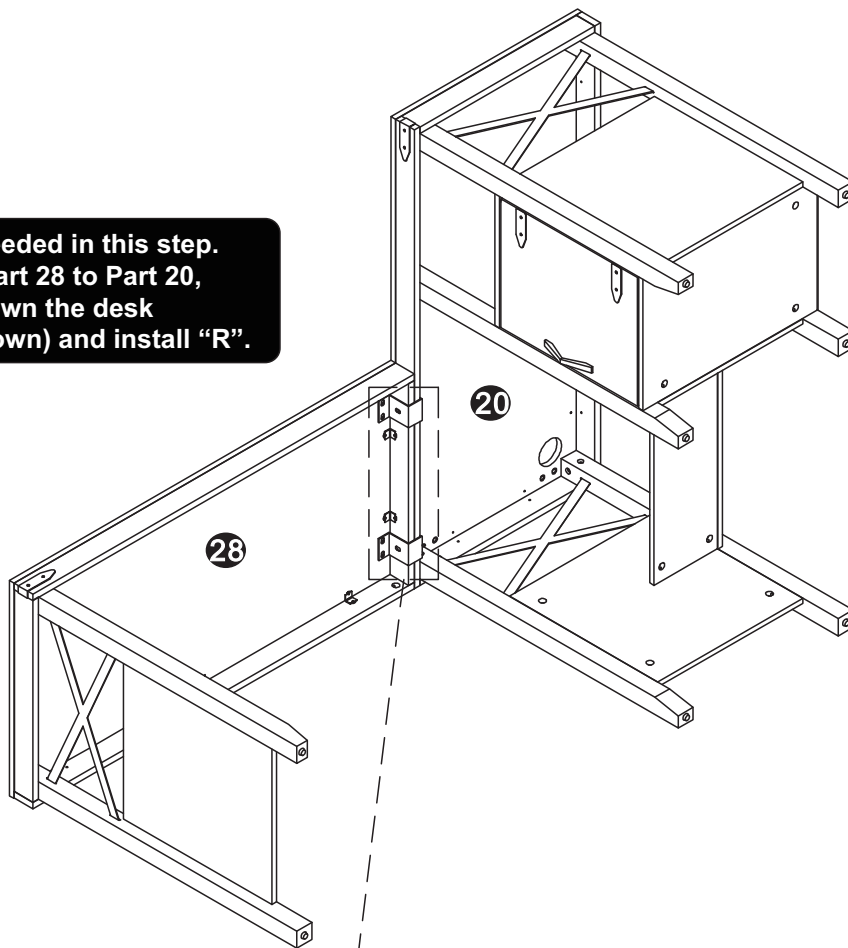


4

STEP 1

A

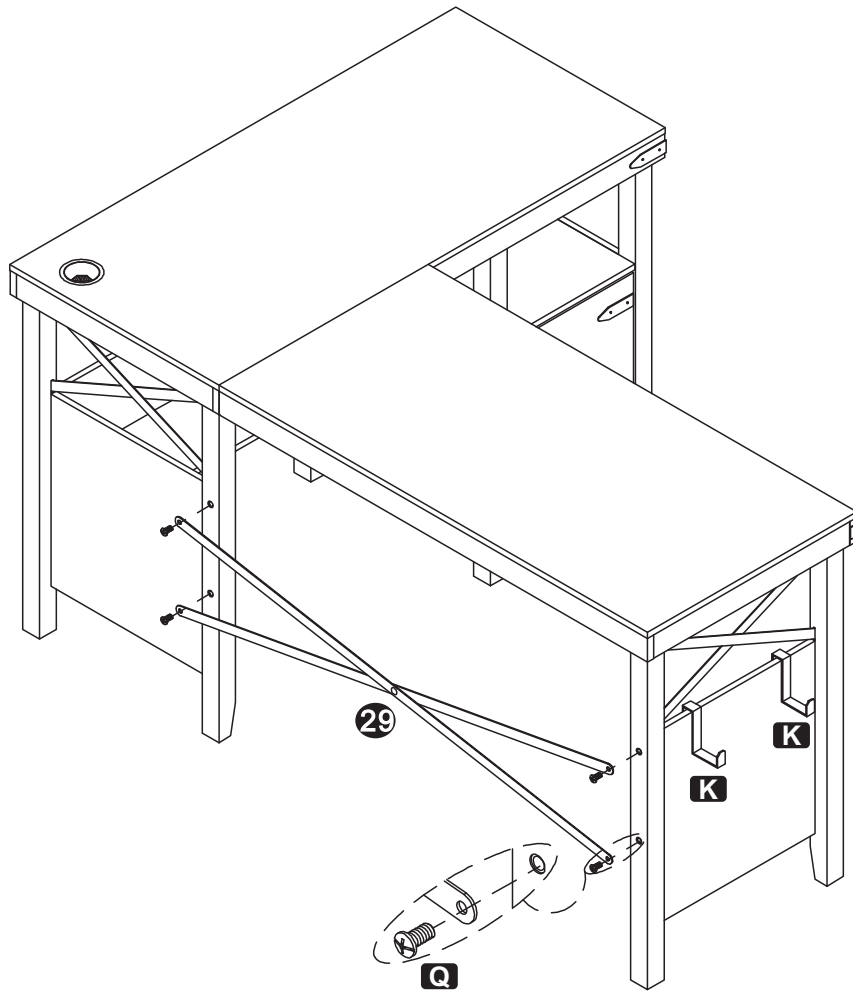
※ Two persons needed in this step.
※ For attaching Part 28 to Part 20,
carefully put down the desk
(as drawing shown) and install "R".





- | | | | | | | | | |
|----------|---|---|----------|---|---|----------|---|---|
| R |  | 2 | Q |  | 8 | S |  | 1 |
|----------|---|---|----------|---|---|----------|---|---|

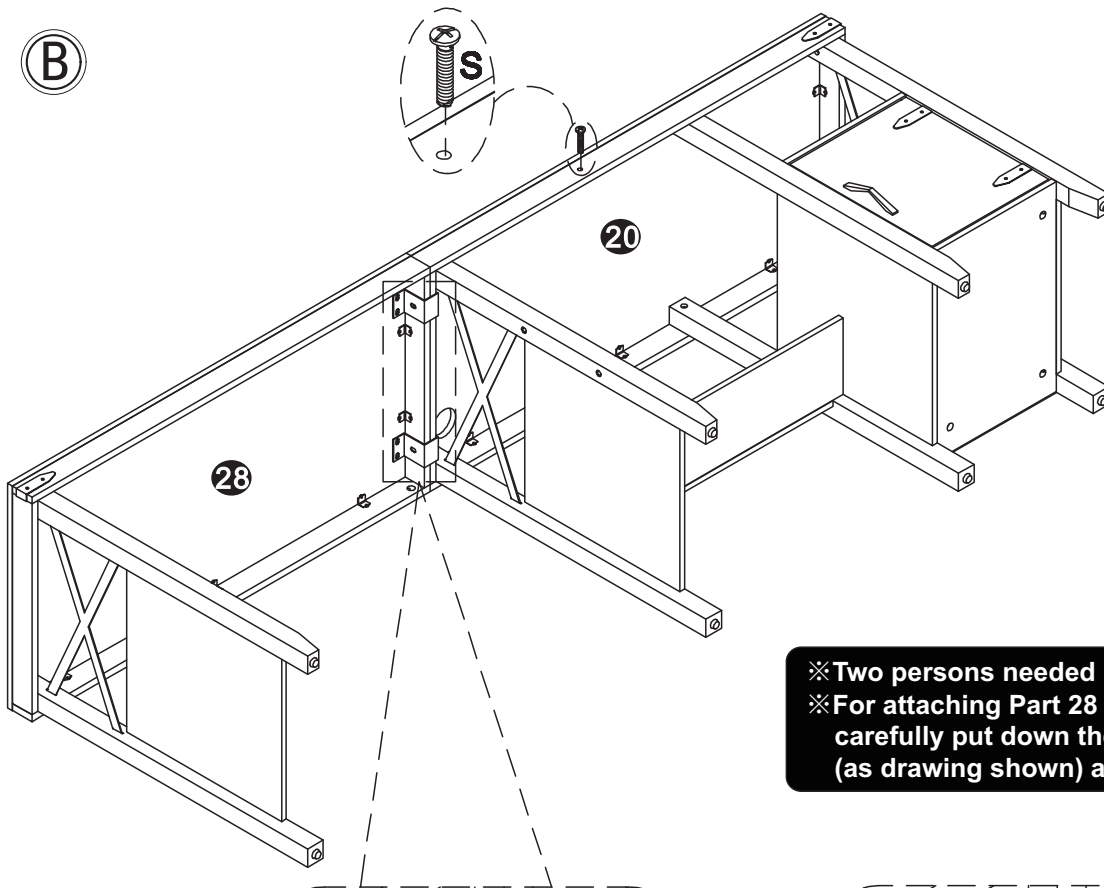
STEP 2

A

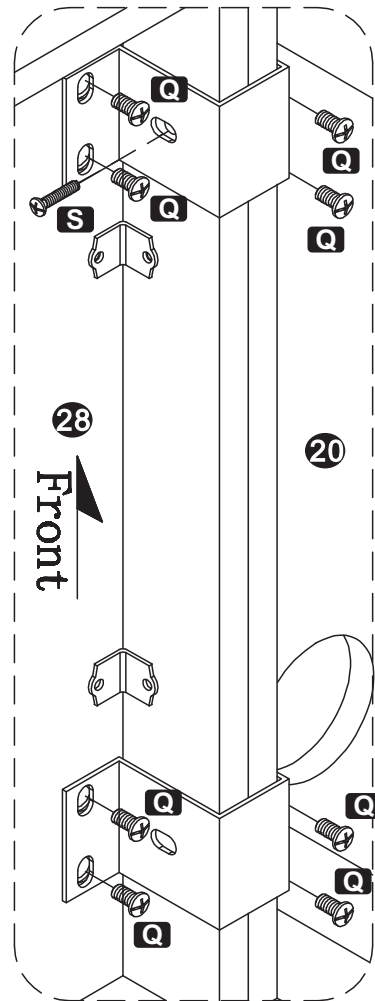
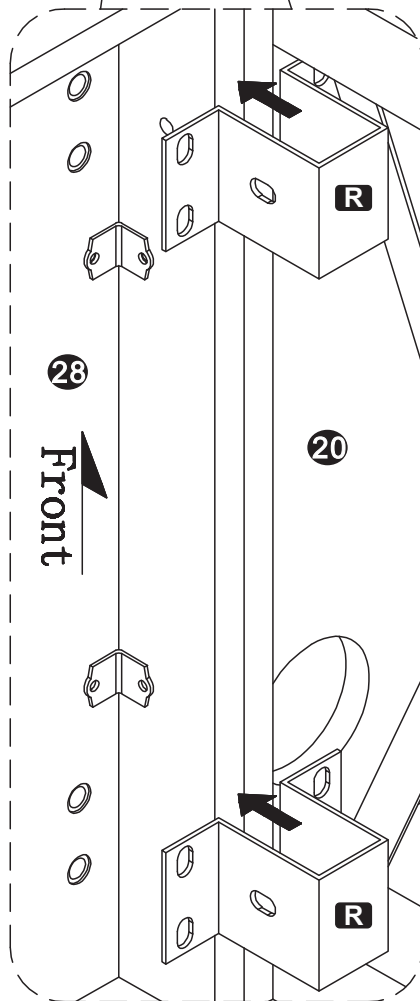


K		2
Q		4

STEP 1



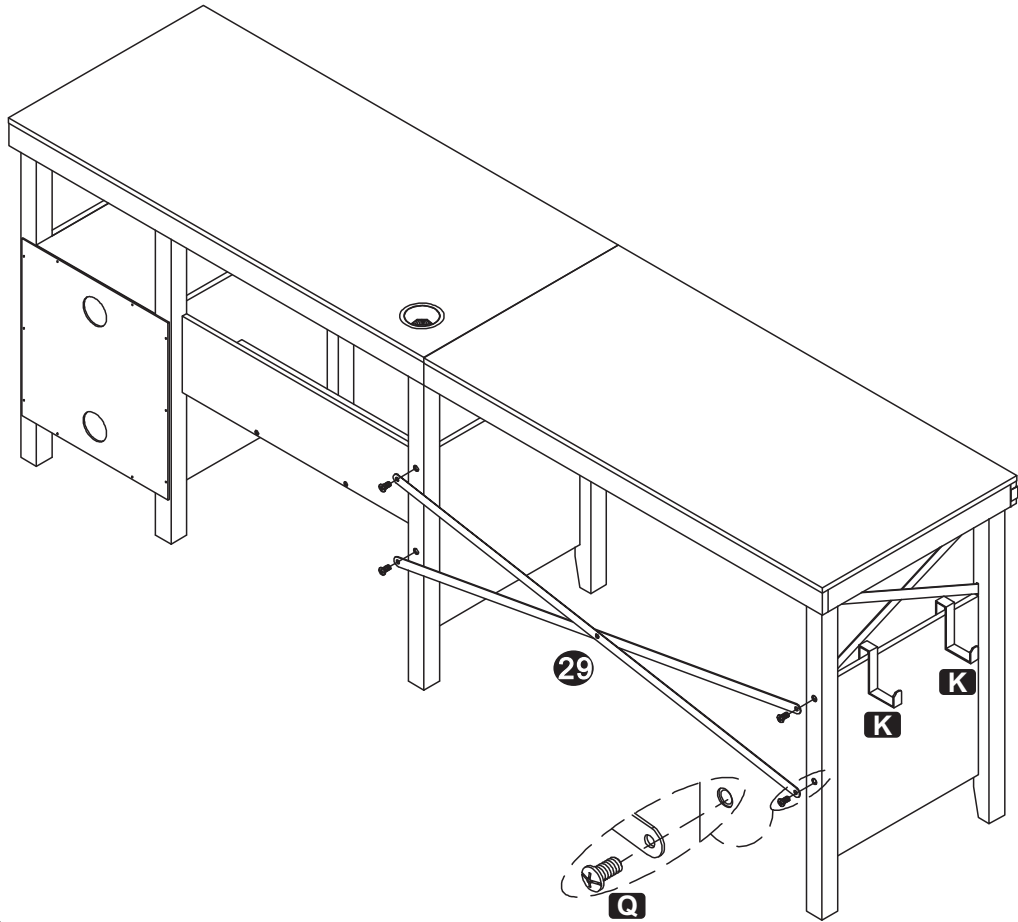
※Two persons needed in this step.
※For attaching Part 28 to Part 20, carefully put down the desk (as drawing shown) and install "R".





- R  2
- Q  8
- S  2

STEP 2

Ⓑ



K		2
Q		4