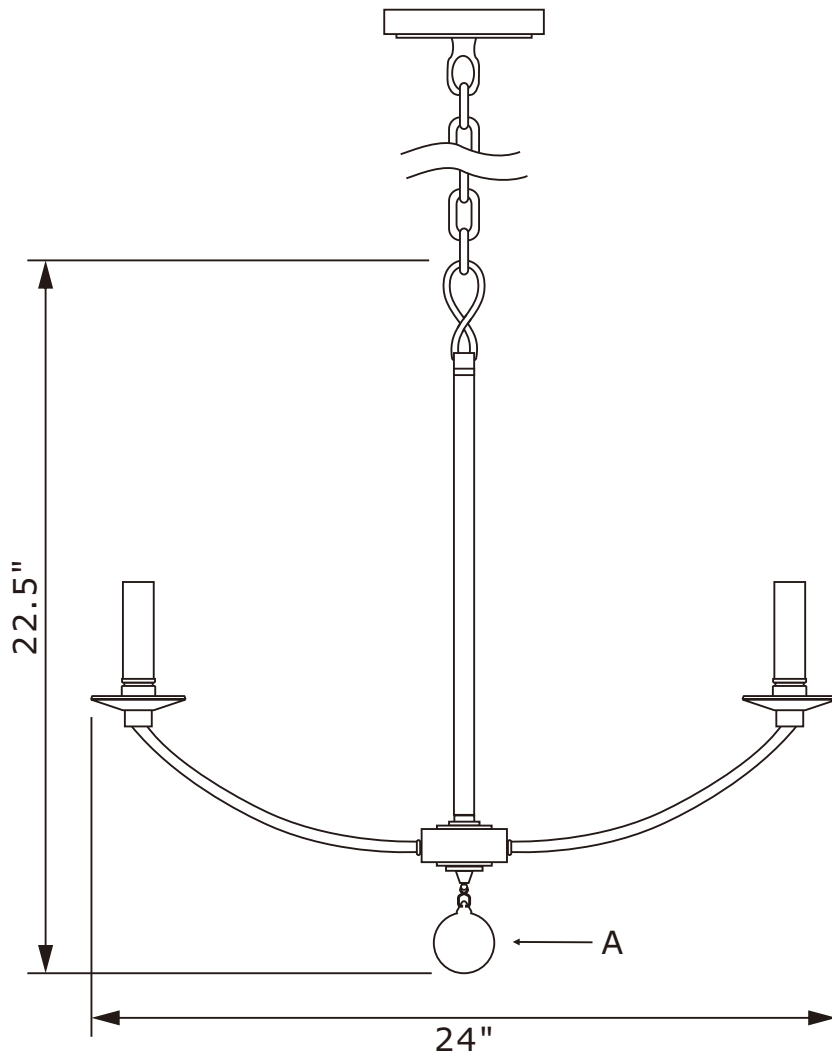


ASSEMBLY INSTRUCTION



All electrical components must be installed by a licensed electrician in accordance with the National Electric Code and the appropriate local electrical codes.



You will need 5 -Candelabra Base Bulb
40 Watts recommended 60Watts Max.
USE LED BULBS FOR EXTENDED USE

The fixture is Damp rated.

How to Install

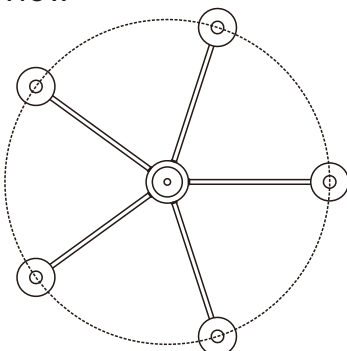
1. Pass the wire through the rod then screw the rod onto the frame.
2. Decide the desired hanging height and choose the correct length of chain.
3. Install the mounting strap onto the outlet box using two outlet box screws.
4. Attach the canopy onto the mounting strap.
5. Screw the glass ball onto the bottom of finial.

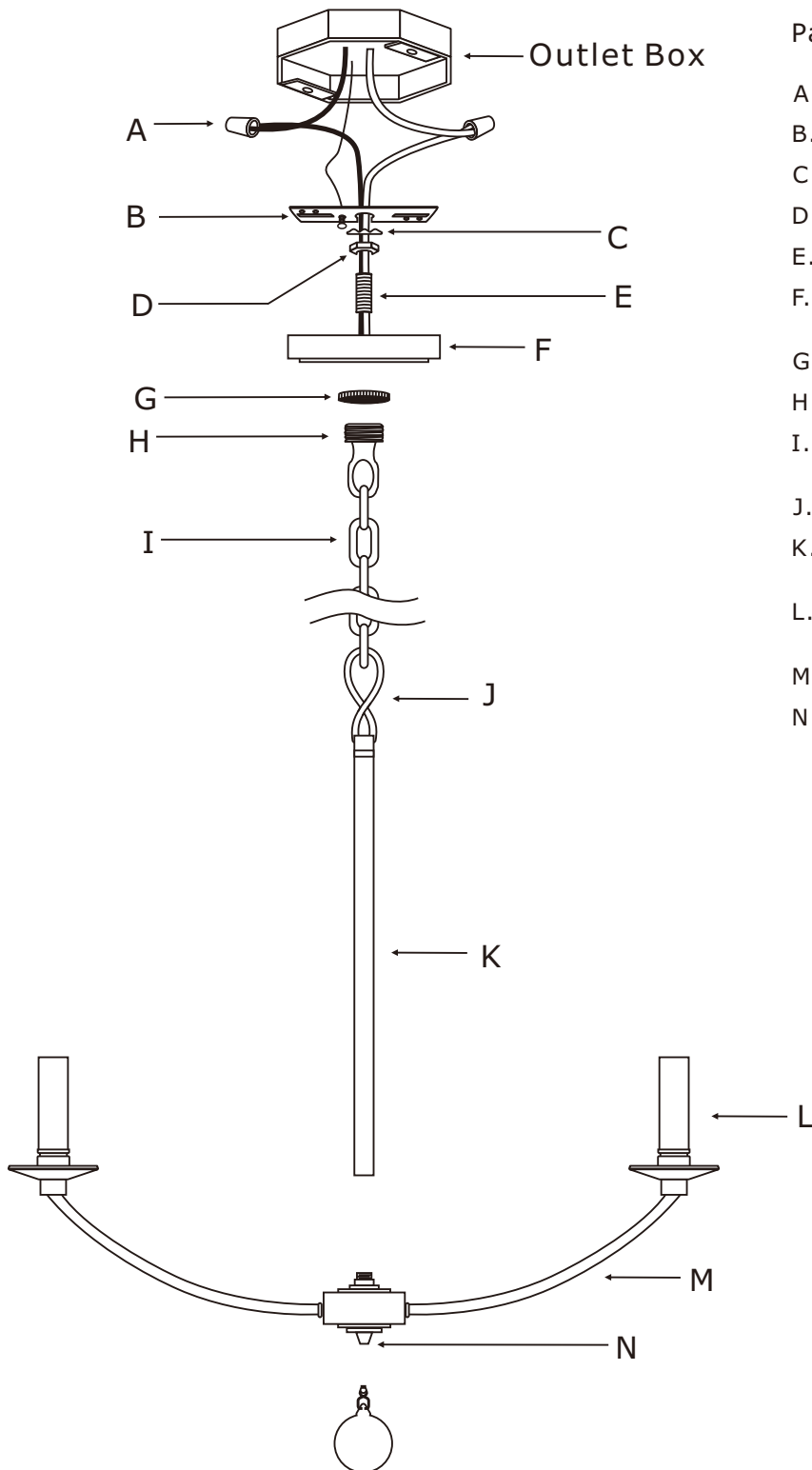
Crystal Sets

- A. 1 Piece. (1)Smooth glass Ball-2"

DETAILED ILLUSTRATION

Top view





Part Number

Part Numbers

- A. (2)-Wire Connector
- B. (1)-Mounting Bar
- C. (1)-Lock Washer
- D. (1)-Hex Nut
- E. (1)-Nipple
- F. (1)-Canopy (W5"xH1")
-XSN8005BKCAN5IN
- G. (1)-Collar Ring
- H. (1)-Collar Loop
- I. (1)-Chain (4mmx72")
-XSN8005BKCHA
- J. (1)-Loop;H3 1/8"
- K. (1)-Rod;H15.5"
-XSN8005BKROD15.5IN
- L. (5)-Candle Sleeve;H3 1/4"
-XSN8005BKCDL3.25IN
- M. (5)-Arms-XSN8005BKARM
- N. (1)-Finial-XSN8005BKFIN