

Sky Tower

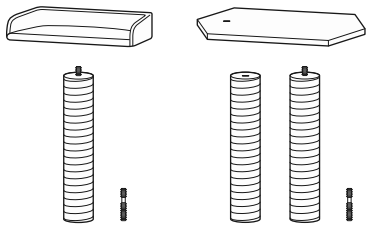
read first

REVIEW BEFORE ASSEMBLY

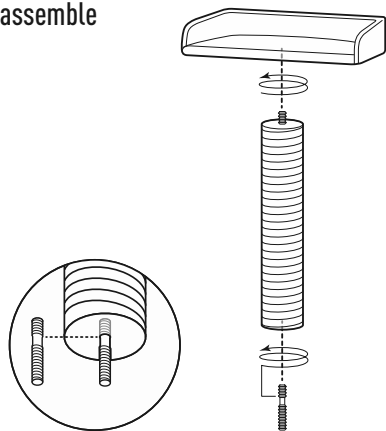
• TOOLS: Allen wrench is included. No other tools are necessary.

For assistance or replacement, please contact us

1 PIECES

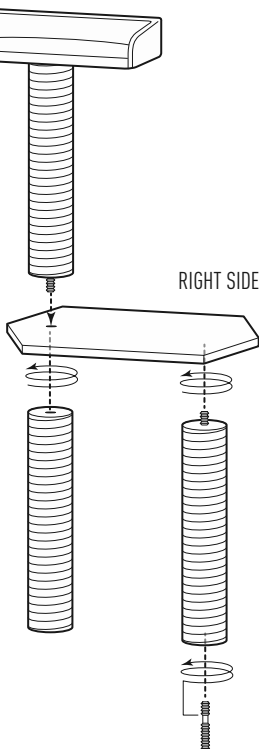


Pre-assemble

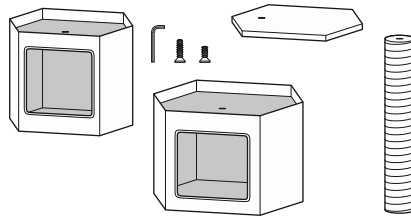


LEFT SIDE

RIGHT SIDE

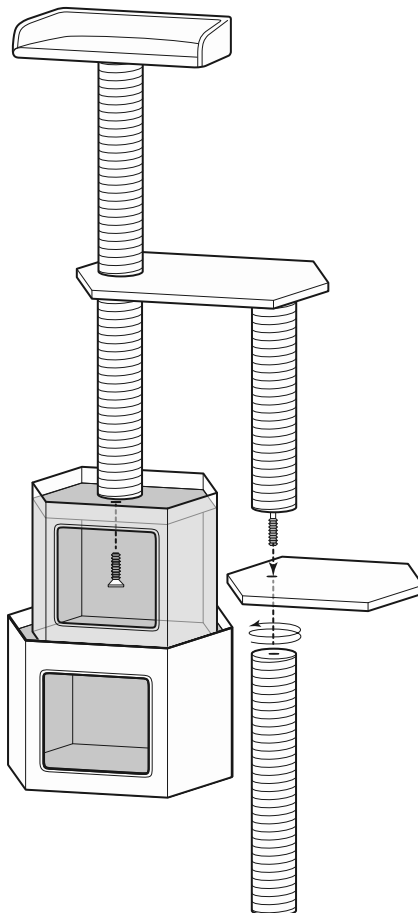
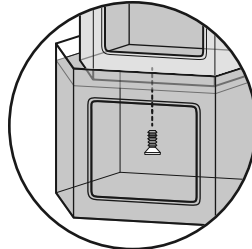


2 PIECES

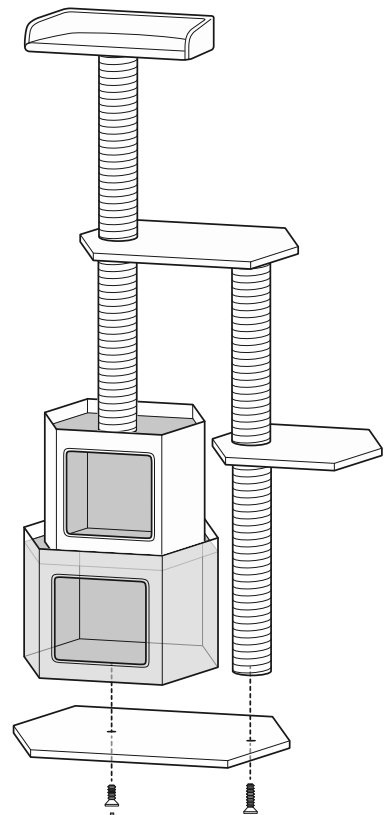
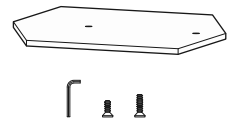


Pre-assemble

Stack the smaller hideaway onto the larger, and attach them together with a short screw.



3 PIECES



LEFT SIDE

Use the short screw to attach the hideaway.

RIGHT SIDE

Use the long screw to attach the scratching post.

Assembly completed.

