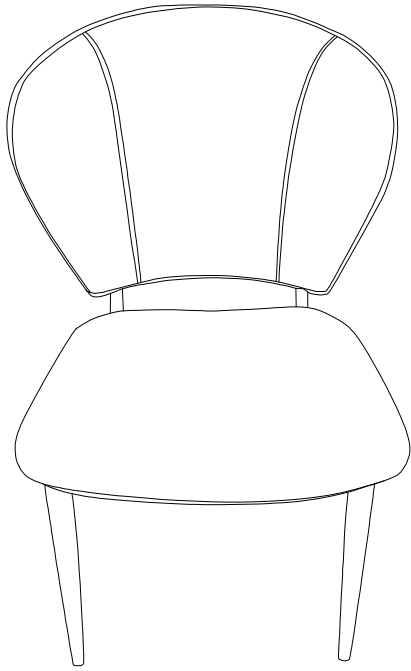


# MH-DC8



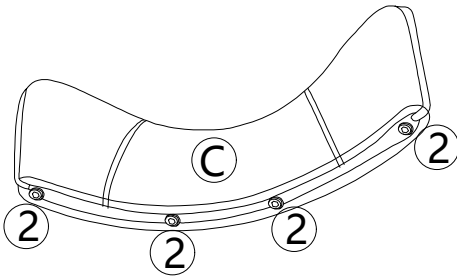
## Notice:

1. Follow the installation instructions. Please confirm all accessories are preset before installation.
2. Do not fully tighten the screws during initial assembly. Fully tighten screws only once all pieces which are correctly assembled.
3. If you encounter any problems during installation, please contact our customer service.

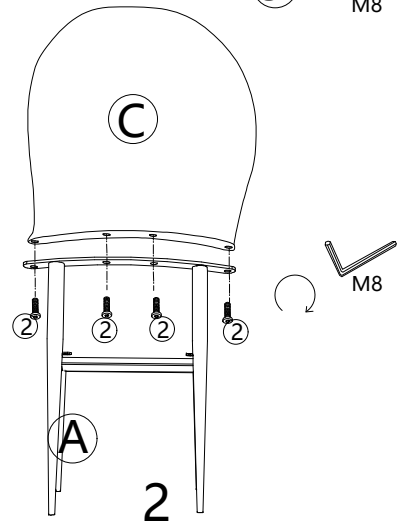
	Reference Image	Qty
(A)		x1
(B)		x1
(C)		x1

	Reference Image	Qty
(1)		x4
(2)		x4
(3)		x4
(4)		x1
(5)		x1

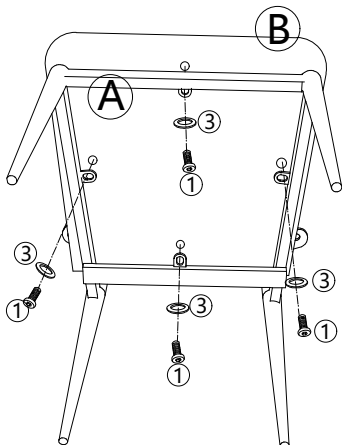
The backrest screws have already been installed on the backrest. Remove the screws before reinstalling.



1

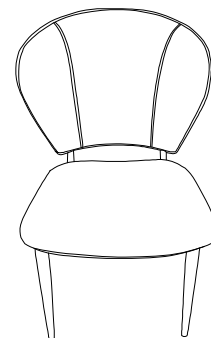


2



3

final



4