



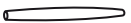










## ASSEMBLY INSTRUCTION

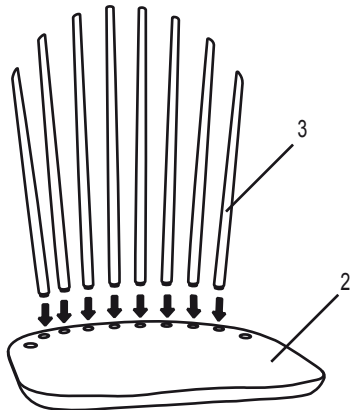
### DESCRIPTION WINDSOR BACK COUNTER CHAIR

Thank you for purchasing this quality product. Be sure to check all packing material carefully for small parts which may have come loose inside the carton during shipment. Identify and count all parts and compare with the parts List Below :

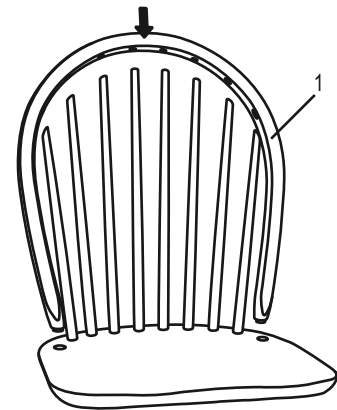
COMPONENT LIST			
No	DESCRIPTION		QTY
1	Hoop		1 Pce
2	Seat Board		1 Pce
3	Spindle		8 Pcs
4	Front Leg (R)		1 Pce
5	Front Leg (L)		1 Pce
6	Back Leg (R)		1 Pce

COMPONENT LIST			
No	DESCRIPTION		QTY
7	Back Leg (L)		1 Pce
8	Lower Side Stretcher		2 Pcs
9	Upper Side Stretcher		2 Pcs
10	Lower Front Stretcher		1 Pce
11	Upper Front Stretcher		1 Pce
12	Lower Back Stretcher		1 Pce
13	Upper Back Stretcher		1 Pce

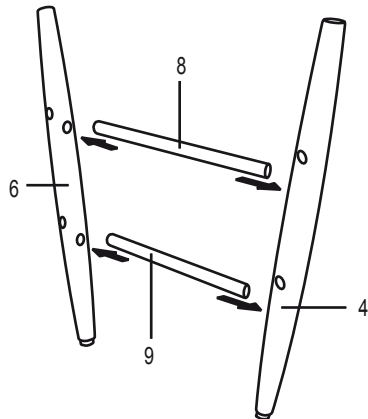
#### STEP 1



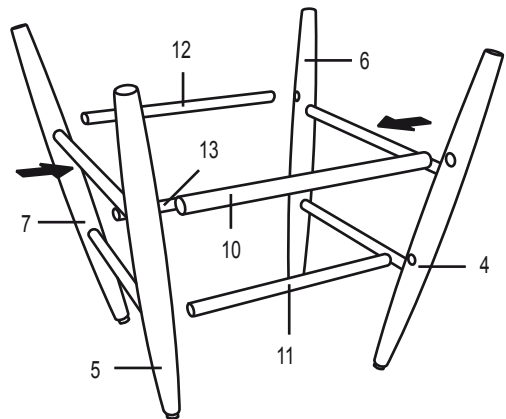
#### STEP 2



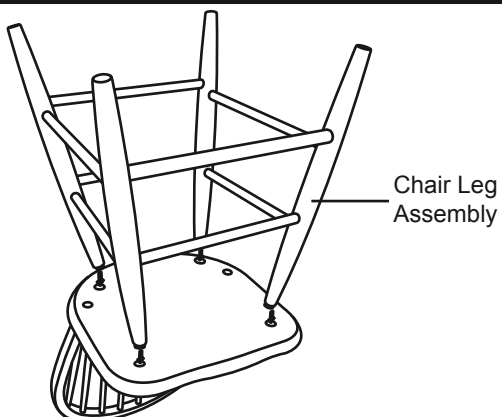
#### STEP 3



#### STEP 4



#### STEP 5



#### STEP 6

Turn the chair upright. Check its balance.

