
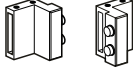


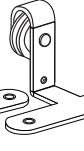
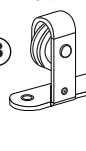
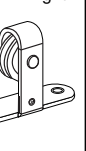

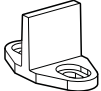

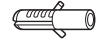

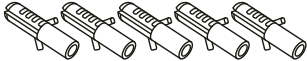




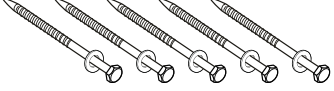












Bypass Barn Door hardware installation

In case of questions or missing parts, please contact DOORAFTEERSALE@GMAIL.COM

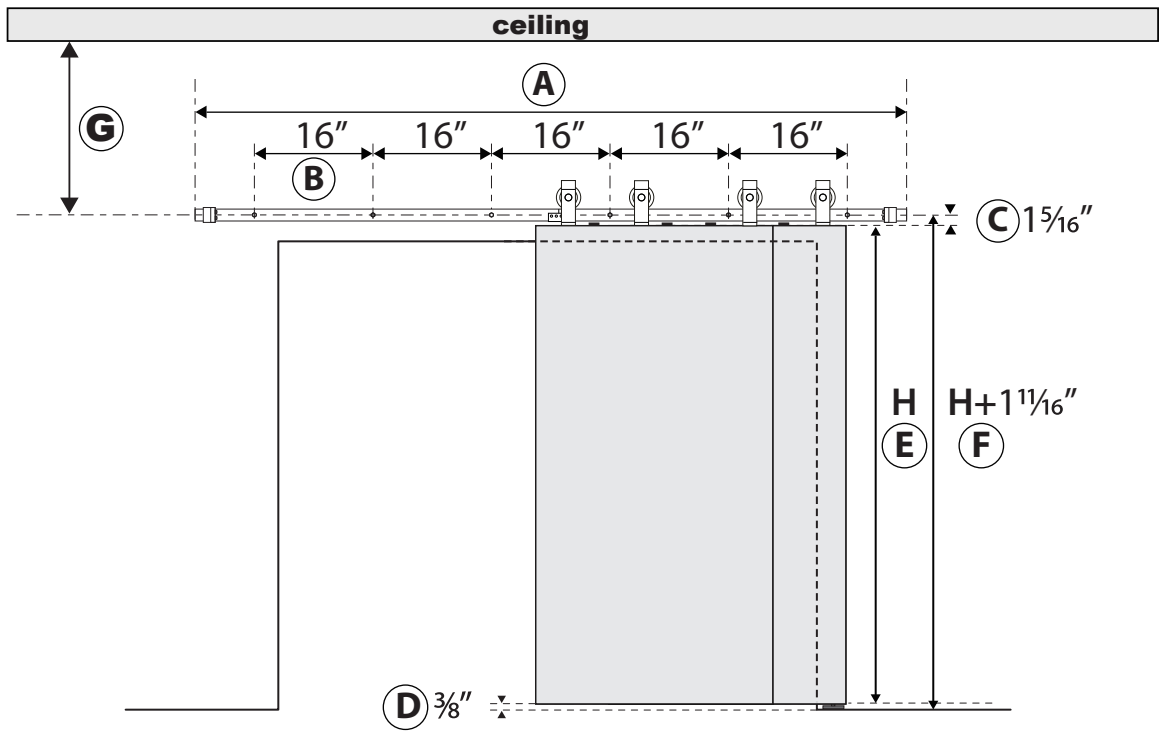
Hardware Included

<p>1.1, Rail </p>	<p>4.1, 2 x Door Stopper </p>
<p>2.1, 4 x Hangers, Screws</p> <p> X8 pcs</p> <p> A-Left  A-Right</p> <p> B-Left  B-Right</p>	<p>4.2, 1 x Hex Key </p> <p>4.3, 2 x Floor Guide   </p>
<p>3.1, Wall Spacer </p> <p>3.2, Anchor (For concrete wall) </p>	<p>5.1, 2 x Handle    </p>
<p>3.3, Lag Bolt (For wood stud) </p>	<p>6.1, 2 x Anti dump </p>

Tools Needed

<p>1, Pencil </p>	<p>5, Level </p>
<p>2, Wrench </p>	<p>6, Drill </p>
<p>3, Phillips Screwdriver </p>	<p>7, Drill Bit $\varnothing 3/8"$  $\varnothing 7/32"$ </p>
<p>4, Plumb Bob </p>	<p>8, Tape </p>

Measurements



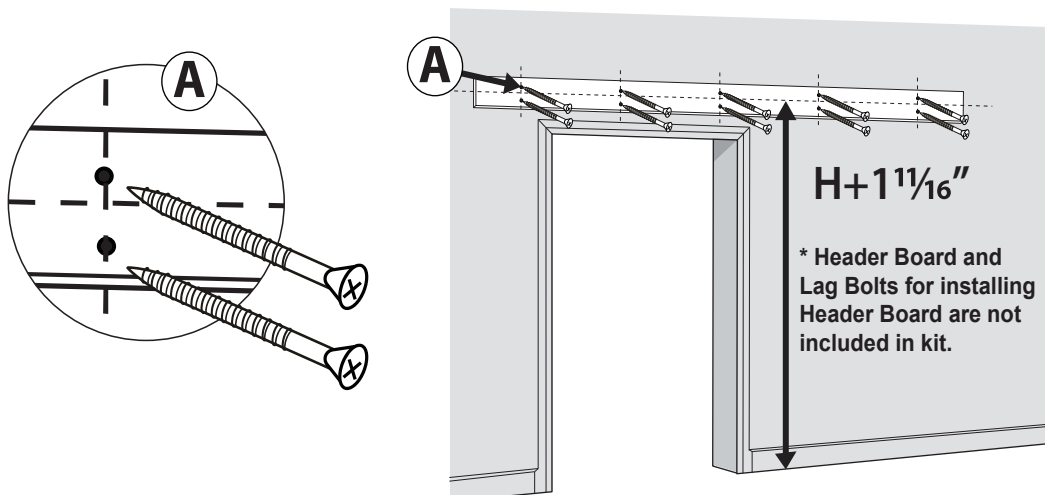
- Ⓐ The gap between each pre-drilled hole is 16".
- Ⓑ Door height is H.
- Ⓒ The height of holes on the wall is $H + 1\frac{1}{16}"$.
- Ⓓ Minimum distance from the rail hole to the ceiling is 6".

Installation Steps:

It is very important to determine whether you will be installing a Header Board prior to installing the track.

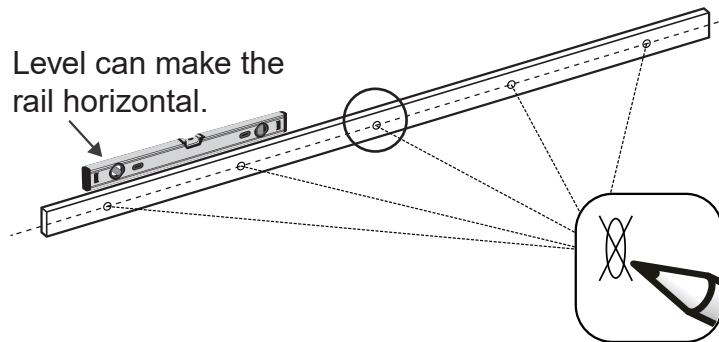
Due to many overlapping factors such as the location of wall studs (Our rail come with pre-drilled holes every 16" on center), the weight of a barn door and the various types of trim used in homes, we recommend using a Header Board in all situations.

Please install a 1" x 4" or 1" x 6" Header Board above the door opening directly into studs. Header Board must be solid wood and measure at least the full length of the track or longer

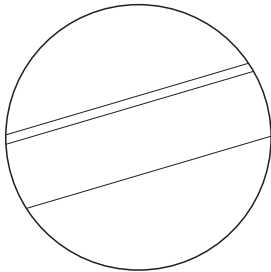


Step-1

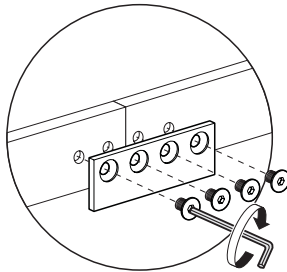
Place the rail against the wall, and use a pencil to mark where the holes should be. Make sure the height of holes on the wall is $H+1\frac{1}{16}"$.



Please choose the installation method for the track based on the type of your track accessories.



One-Piece Track



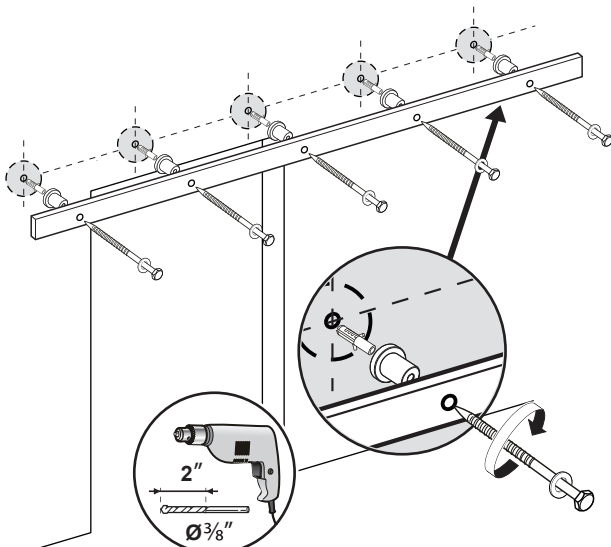
Connector connection method

Step-2

We provide 2 kinds of screws for you to install rail onto concrete wall or drywall.

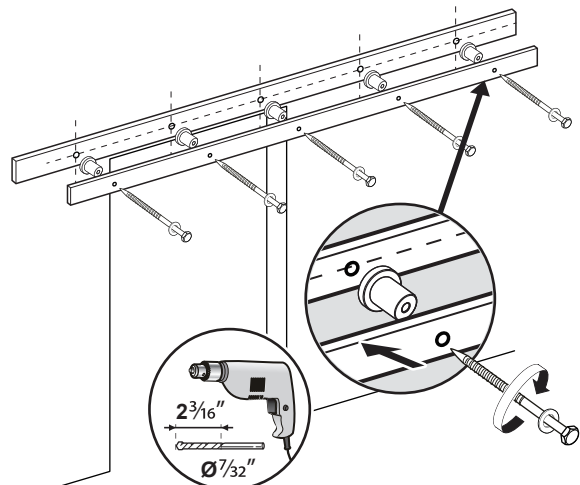
A Concrete wall Installation.

Install the anchor to holes on the concrete wall first, then install lag bolt to anchor.



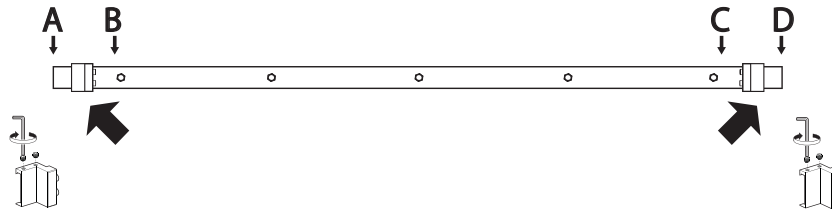
B Drywall Installation.

Install the lag bolt to wood stud or header board directly.



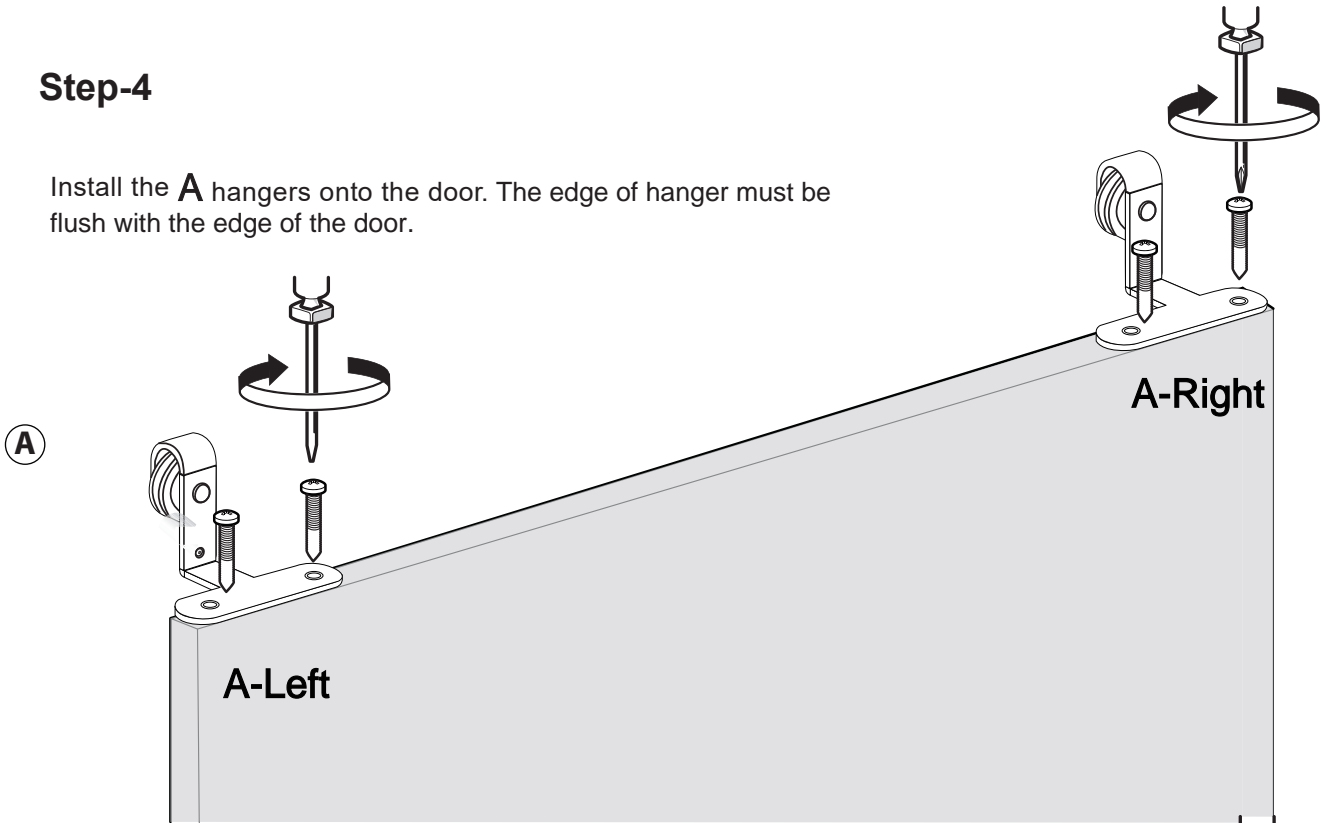
Step-3

Insert door stoppers into rail. Install door stoppers between A-B and C-D
Door stopper is used to prevent the hangers coming out of the rail.

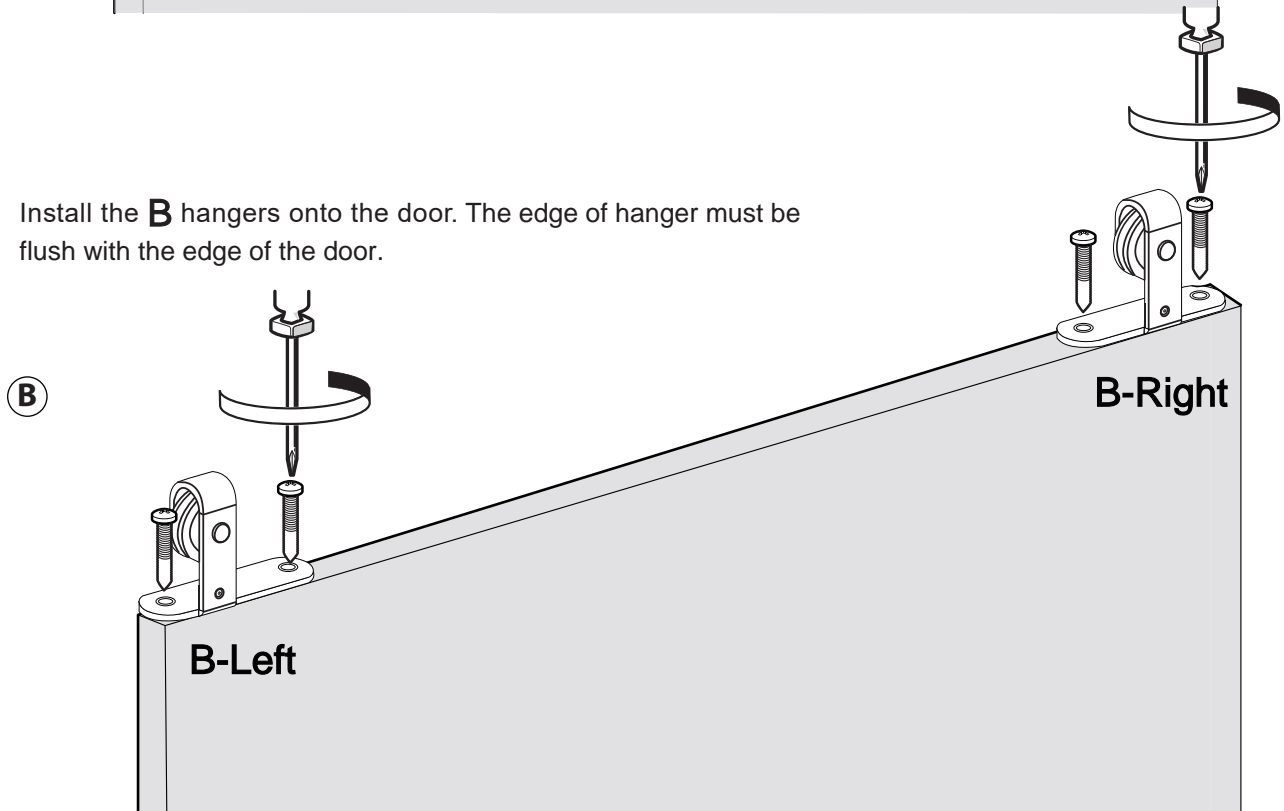


Step-4

Install the **A** hangers onto the door. The edge of hanger must be flush with the edge of the door.



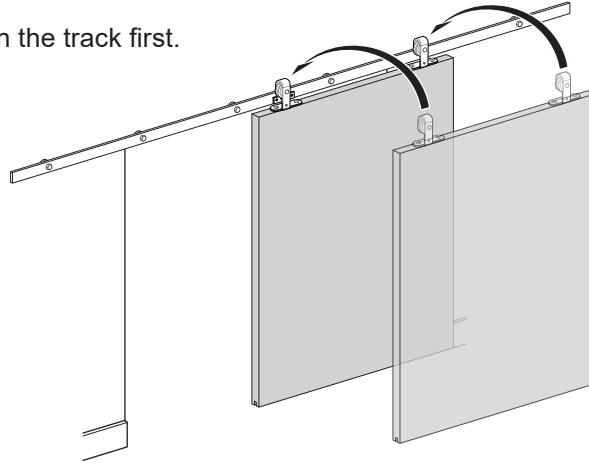
Install the **B** hangers onto the door. The edge of hanger must be flush with the edge of the door.



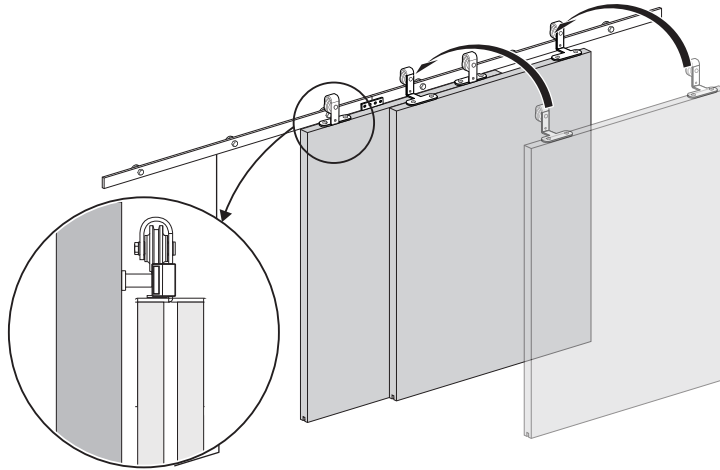
Step-5

Hang the door over the rail.

Put the pulley (B) on the track first.



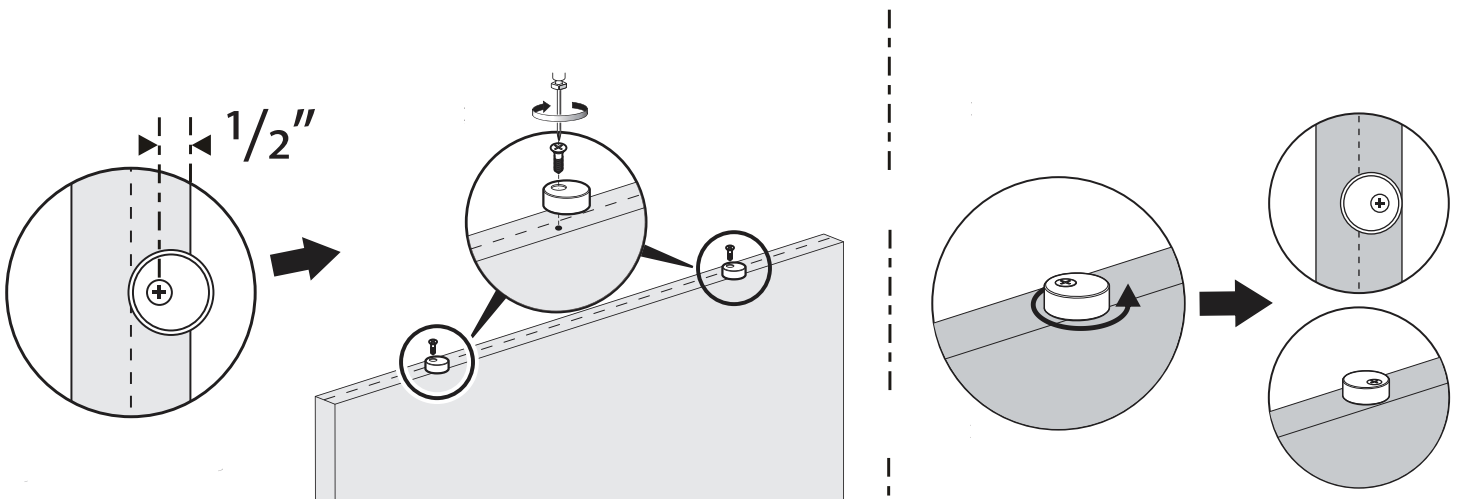
Next, Put pulley (A) on the track, so that the pulley B and pulley A cross. As shown in the figure below.



Step-6

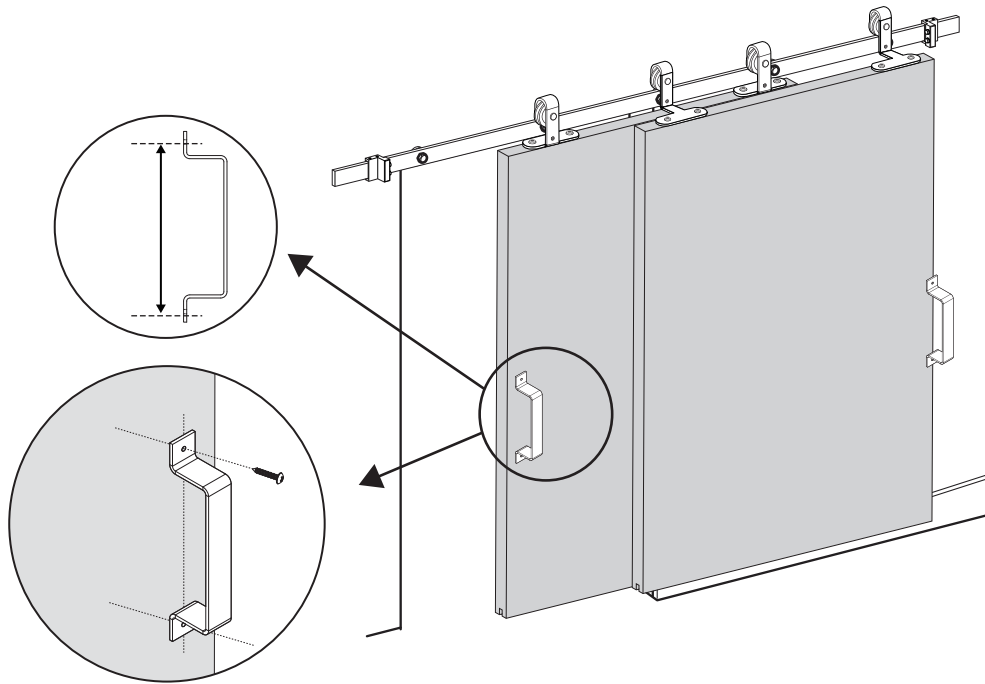
Install the anti-jump

You need to drill holes on the door top side, please drill the holes 1/2" away from the edge of the door. Then install the anti-jump blocks on the door and rotate the anti-jump blocks 180



Step-7

Install the handle at suitable position.



Step-8

Install the floor guide. Put floor guide on the floor first to fix a suitable position and make a mark so that the tip of the floor guide can work well in the slot. Use suitable drill bit to drill holes on the floor where the mark is, and then install the floor guide.

