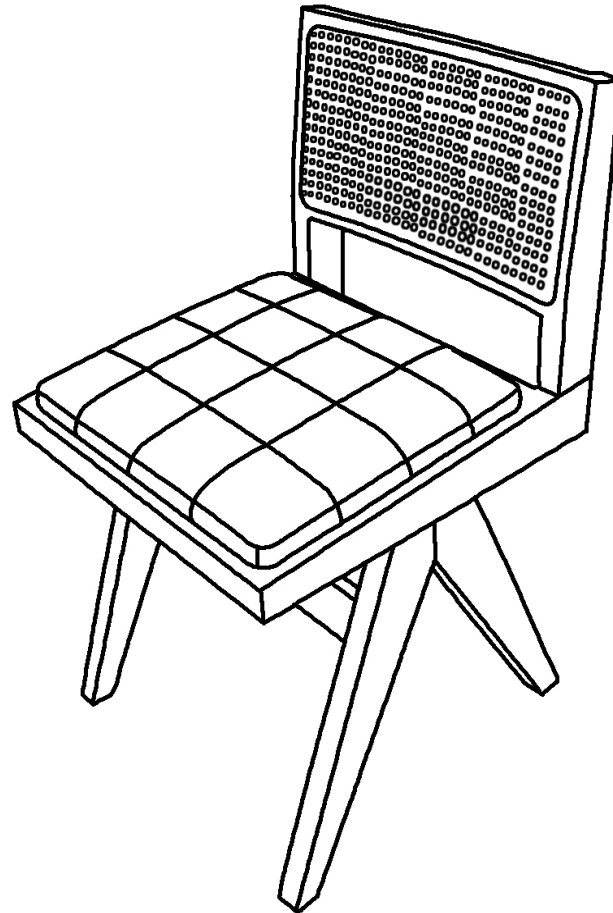
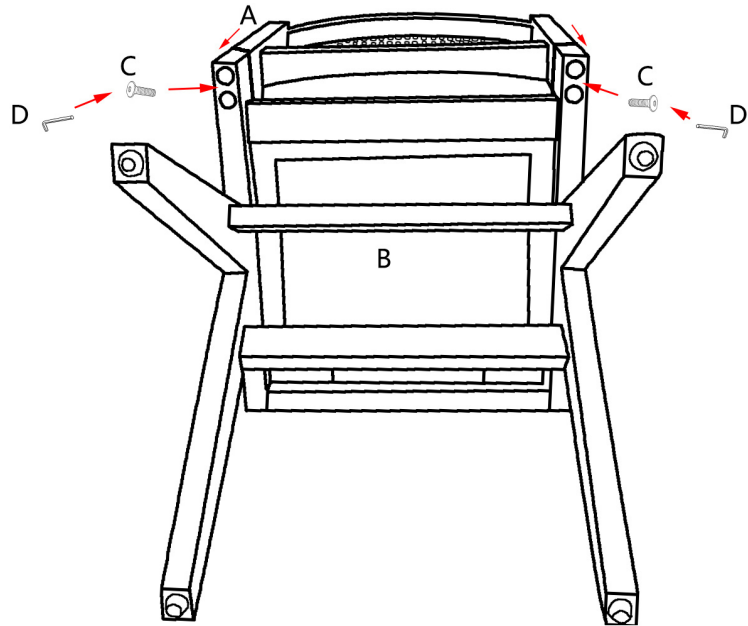


Item No

WPK-9003-48

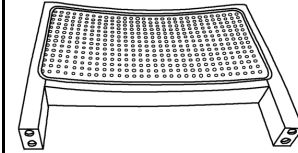
Assembly Instruction



PARTS

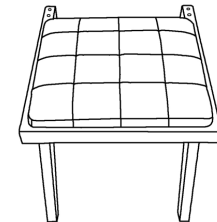
Qty

A



1

B



1

C



8MM

4

D



8MM

1