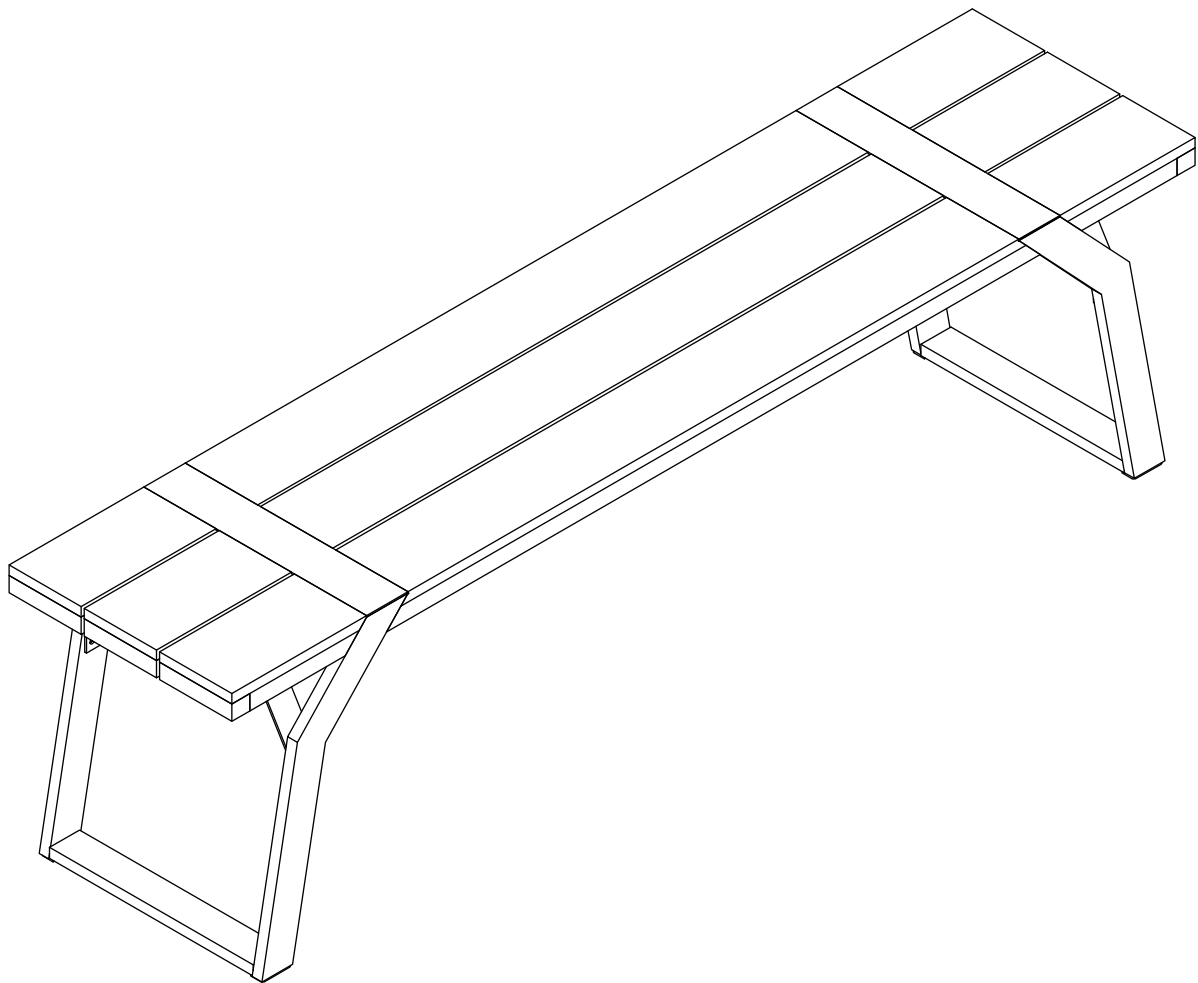


Assembly Instructions

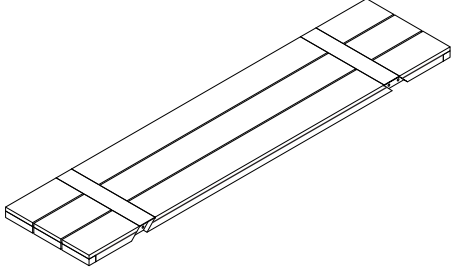
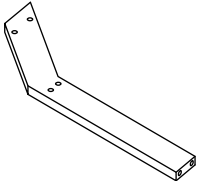
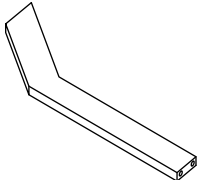
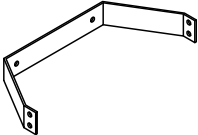
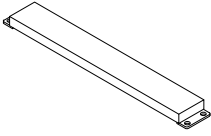
BENCH

CAUTION: You must read these Assembly Instructions before you proceed.

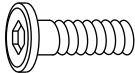
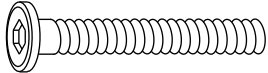

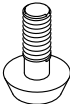
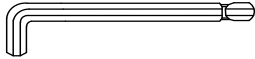
Please look into the Leg for hardware packs



CAUTION: This Bench is NOT a TOY.
Keep your child/children at bay during the assembly process.
Whenever lifting the Bench and to prevent damage to the Bench two adults are needed to execute this action.

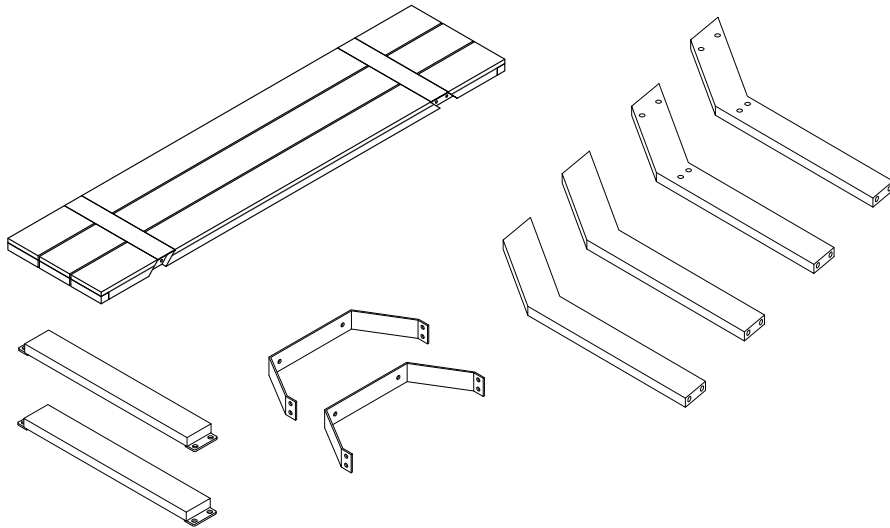
Label	Picture	Description	Qty
A		Seat Panel	1
B		First Leg	2
C		Second Leg	2
D		Connector Bar	2
E		Support Leg	2

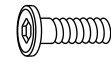


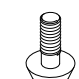

Hardware

Label	Picture	Description	Qty
①		Bolt (M6 x 15mm)	17
②		Bolt (M6 x 50mm)	9
③		Flat Washer (M6/16 x 2mm)	25
④		Leveler (M6 x 18mm)	5
⑤		Allen Wrench	1

Assembly Preparation

Before Beginning Assembly:



	x 17
	x 9
	x 25
	x 5
	x 1



Read instructions, cover to cover.



Have 2 adults on hand for assembly.



Do not assemble on flooring or carpet.



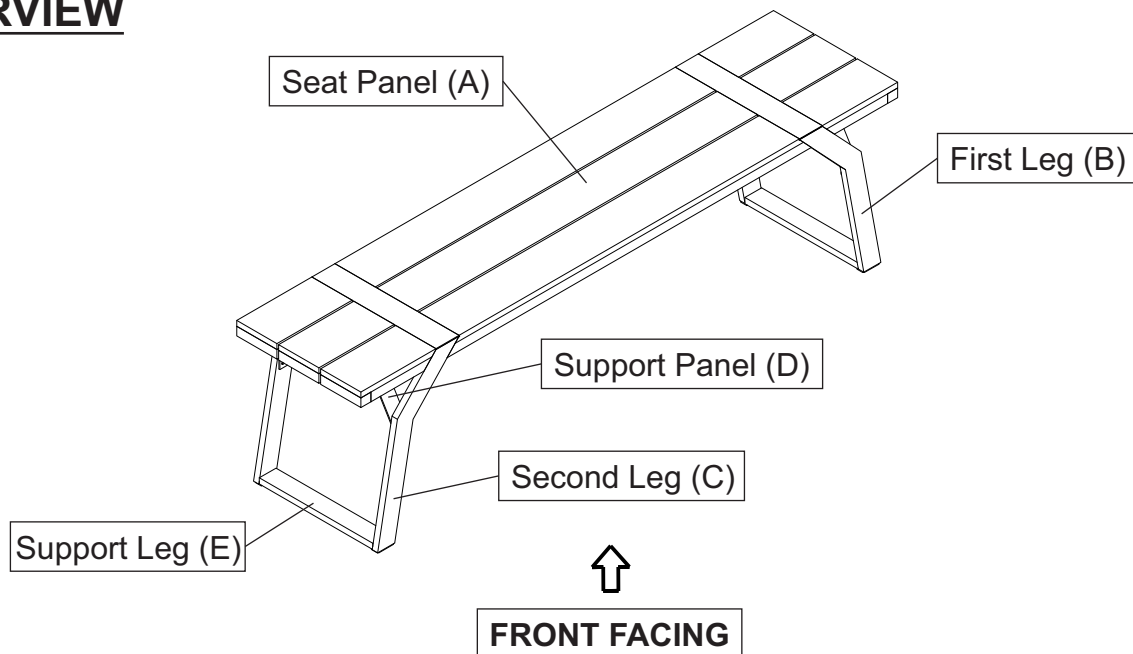
Assemble on a clean non-marring surface (packing foam).



Save all packaging until finished.

Assembly Steps

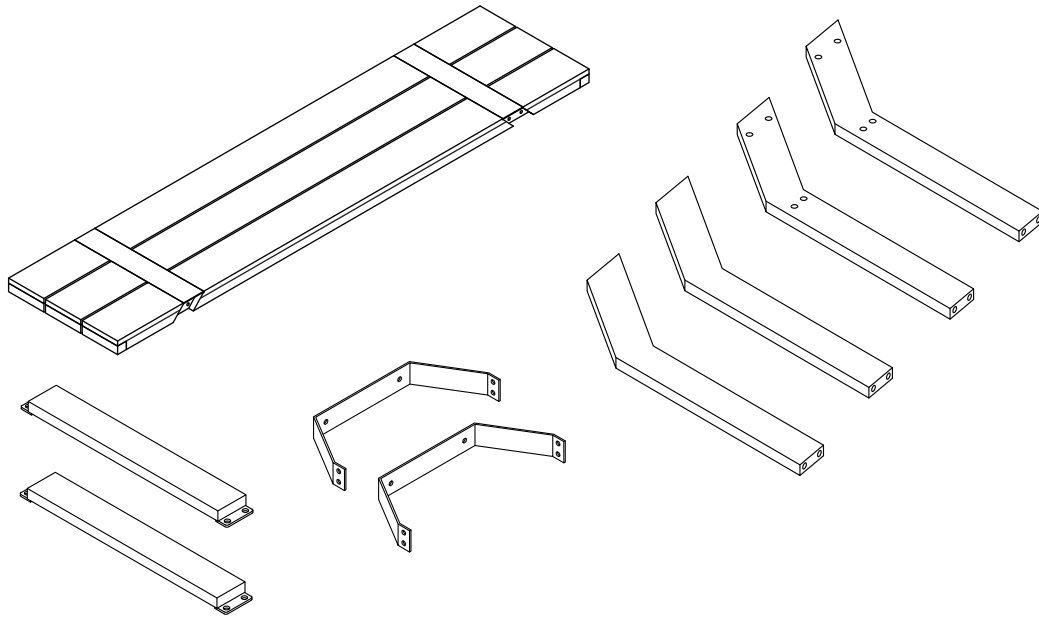
OVERVIEW



This Bench has multiple parts and may require up to 30 minutes to assemble. To give you an overview of the Bench parts, the above picture is to help you put the various parts into perspective. Please read through the instructions below to familiarise yourself with the parts and steps before assembly.

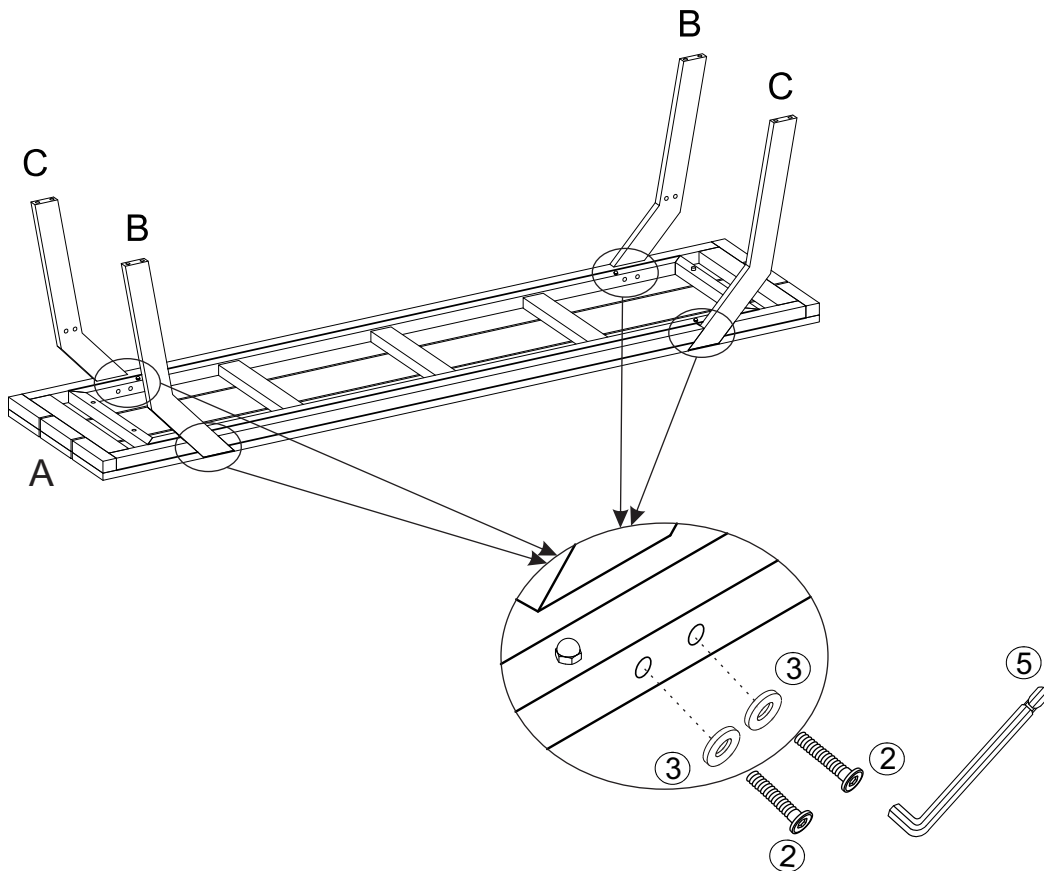
Assembly Steps

Step 1



Unpack and place all parts on a clean, non-marring surface.

Step 2



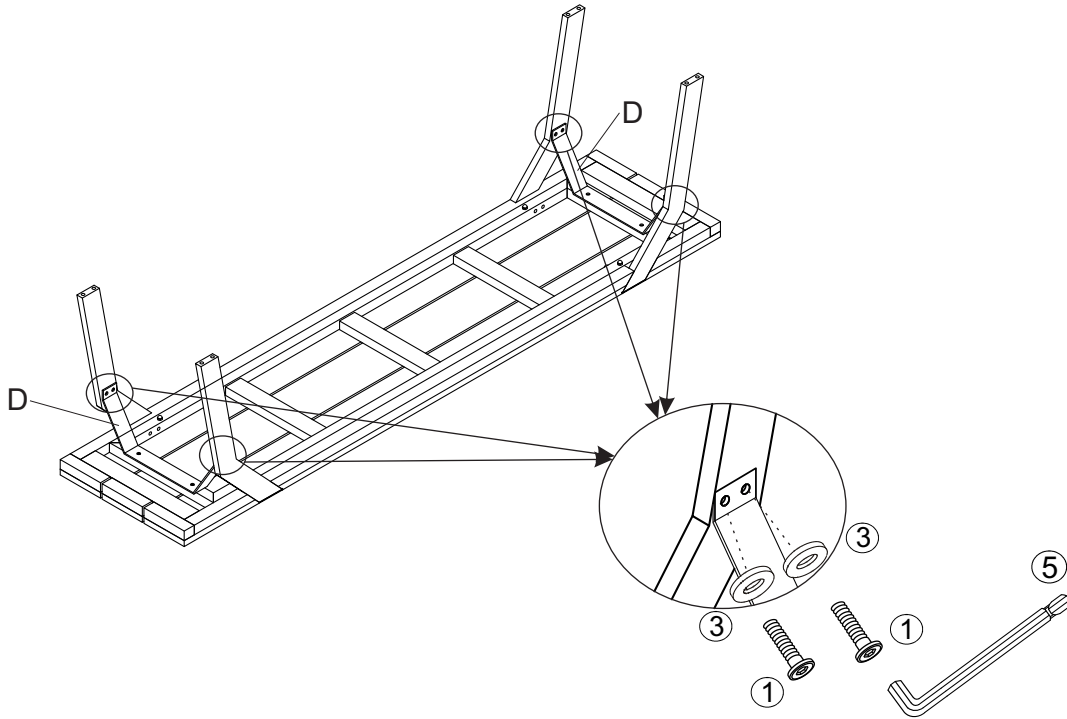
Place the Seat Panel (A) facing down on a clean, non-marring surface. Attach the First Leg (B) and Second Leg (C) to the Seat Panel (A) using Bolts (2) and Washers (3) with the Allen Wrench (5) as shown above.

DO NOT fully tighten the Bolts.

Note: In the same view angle, you can see First Legs (B) have holes and Second Legs (C) do not have holes.

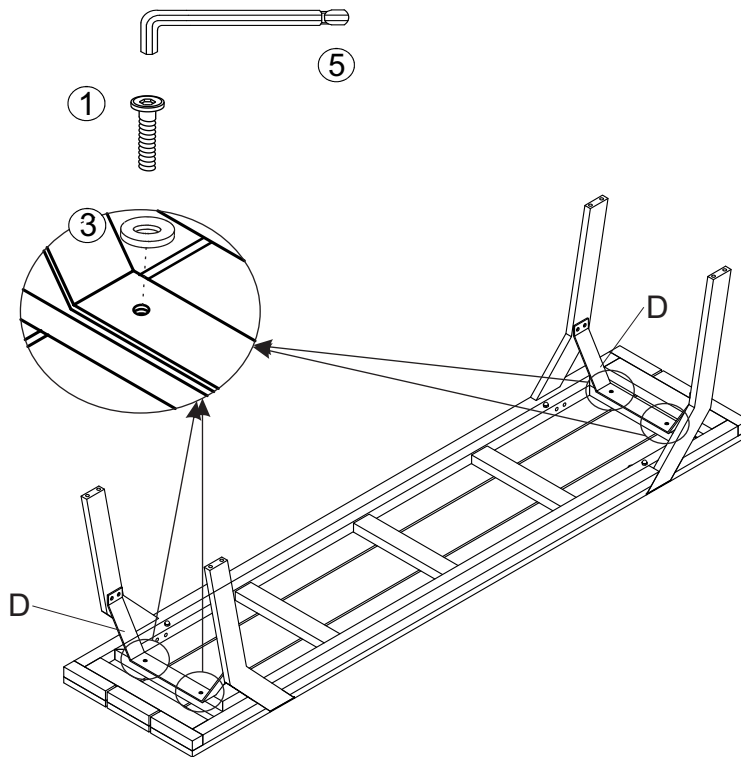
Assembly Steps

Step 3



Attach the Connector Bar (D) to the First Leg (B) and the Second Leg (C) using Bolts (①) and Washers (③) with the Allen Wrench (⑤) as shown above.
DO NOT fully tighten the Bolts.

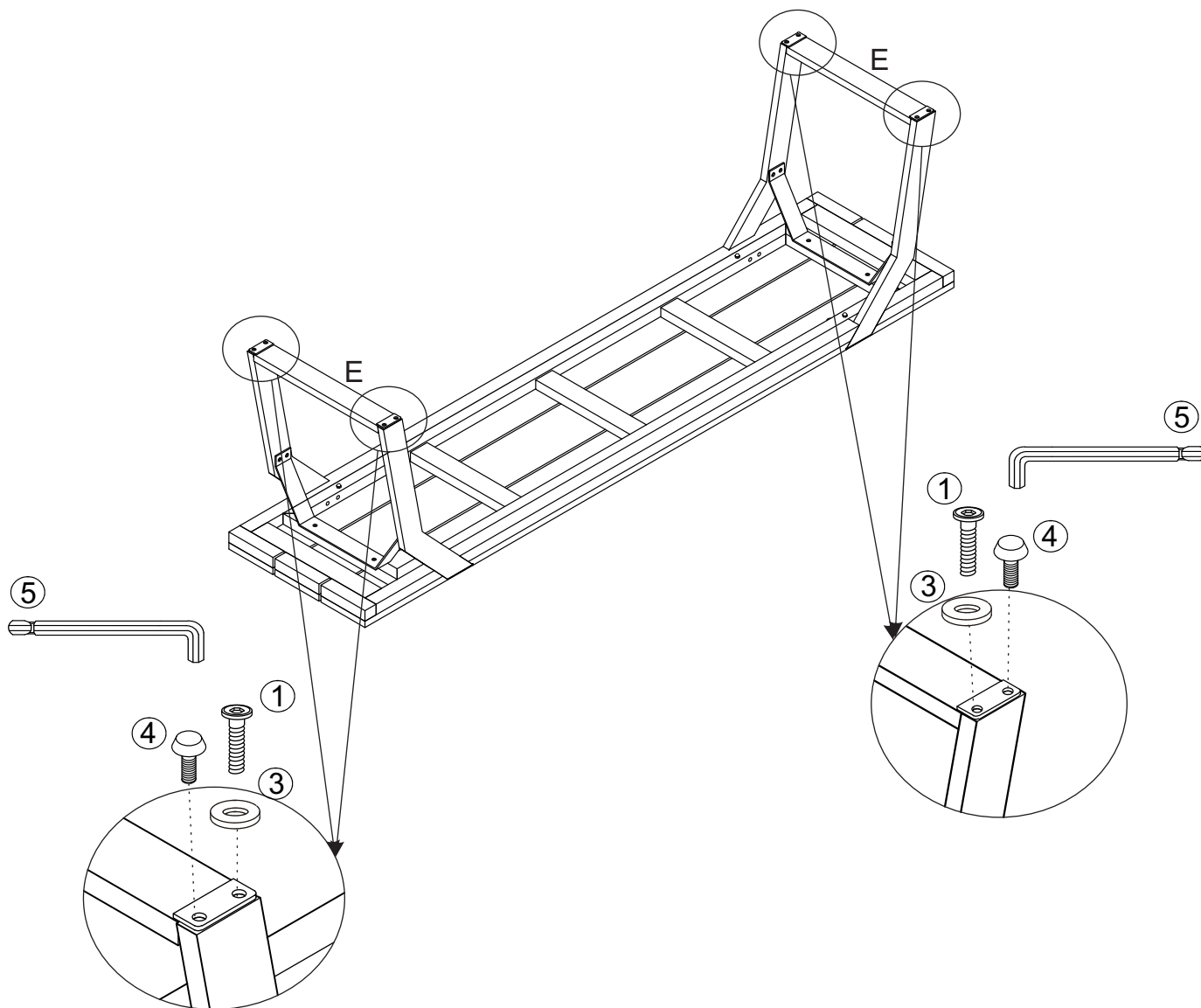
Step 4



Attach the Connector Bar (D) to the Seat Panel (A) of the assemble in step 3, using Bolts (①) and Washers (③) with the Allen Wrench (⑤) as shown above.
DO NOT fully tighten the Bolts.

Assembly Steps

Step 5

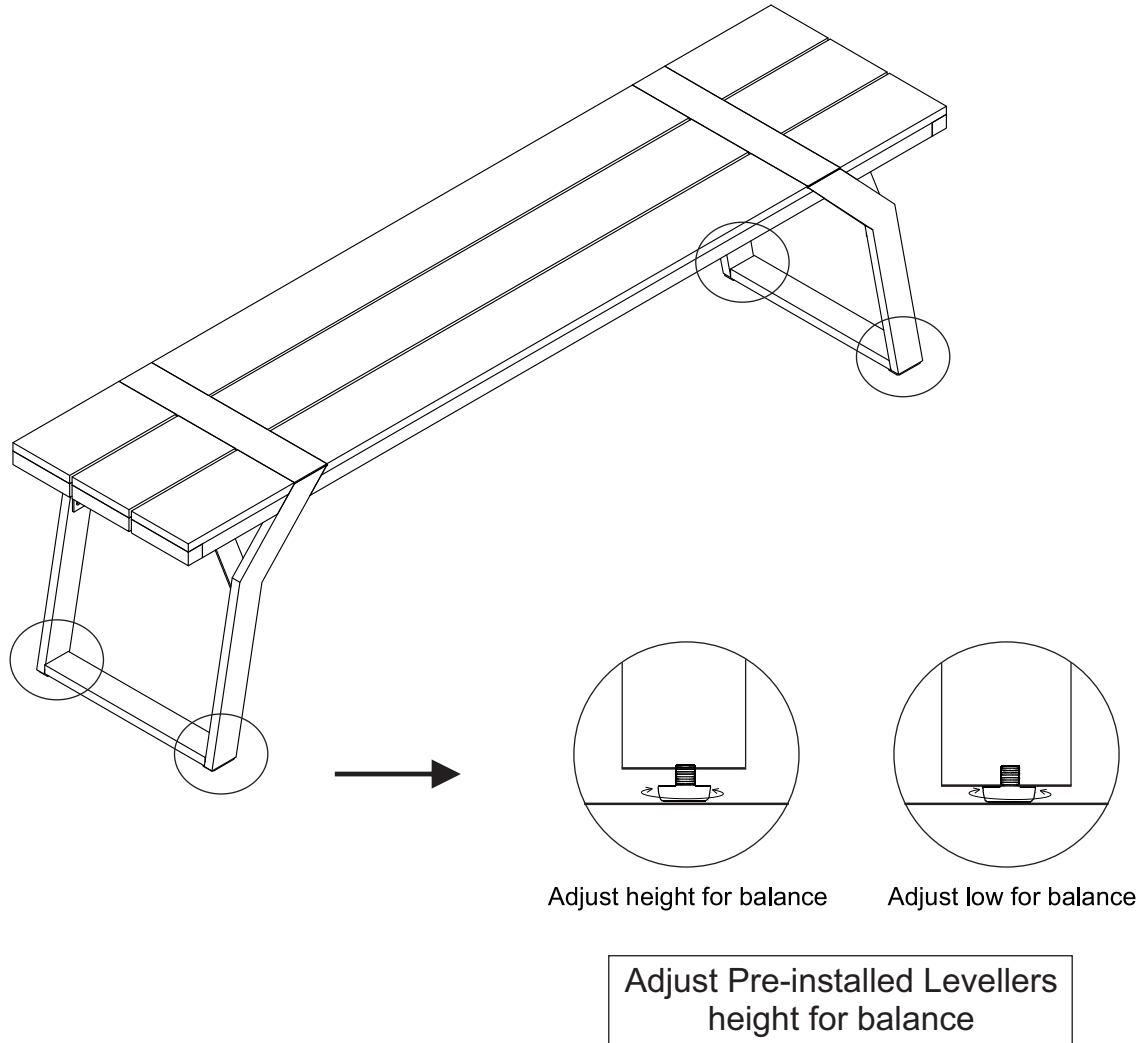


Attach the Support Leg (E) to the First Leg (B) and the Second Leg (C) to the assemble in step 4, using Levelers (4), Bolts (1) and Washers (3) with the Allen Wrench (5).

DO NOT fully tighten the Bolts.











Assembly Steps

Step 6



With the assistance of your adult partner, stand the Bench up. Then EXERT pressure floorwards onto the Bench with both hands. This pressure will help the Bench reach full alignment at all joints. In a sequential manner, gradually tighten all Bolts and Screws at all joints until evenly secured. Inspect the Bench and make sure all parts are adequately connected. Adjust the Levellers until the Bench is level with the ground. To adjust the Levellers, get assistance from an adult partner to lift/lean and hold the Bench while you are working. **Your Bench is ready to be used.** **This Bench can only be used on a flat, level surface.**

Care & Maintenance

- ⊘  • Prolonged exposure to rain may cause rusting which can stain floors.
- ⊘  • Do not put hot items directly on furniture surface.
- ⊘  • Do not clean furniture with harsh cleansers or polish.
- ✓  • To obtain the longest lifespan of your outdoor products, minimizing exposure to direct sunlight is recommended.
- ⊘  • Children should not climb or jump on the furniture.
- ⊘  • Do not write on furniture without a padded barrier to protect the surface.
- ✓  • To obtain the longest lifespan of your outdoor products, avoid extended and lengthy exposure to rain, snow, and direct sunshine. Whenever possible cover the product and /or place under patio or awnings.
- ⊘  • Not for commercial use. For residential use only.
- ⊘  • Stains may be removed with mild soap solution and damp cloth..
- ✓  • Dust and pick-up spills using a clean, non-colored, lint-free cloth.