

PC1230D4T, PC1630D4T,  
PC2030D4T, PC2430D4T,  
PC1240D4T, PC1640D4T,  
PC2040D4T, PC2440D4T,

PC1648D4T, PC2048D4T,  
PC2448D4T,

PC1230D6T, PC1630D6T,  
PC2030D6T, PC2430D6T,  
PC1240D6T, PC1640D6T,  
PC2040D6T, PC2440D6T,

## CONTENTS

General Information - **1**

Tools Needed - **2**

Parts - **2**

Notes - **3**

Model Numbers - **3**

Dimensions - **4**

Removing the Door for ease  
of Installation - **5**

Electric Connections - **5**

*Option 1 - 7*

*Option 2 - 8*

Recess Mounting - **9**

Surface Mounting - **11**

Final Assembly - **14**

Use and Maintenance - **16**

Warranty - **16**

## GENERAL INFORMATION

This instruction sheet contains information on how to install the Profiles framed cabinets. This series comes in various sizes. Refer to specific model numbers for dimensions. Read the specific instruction for how your cabinet will be mounted. The cabinets can be surface mounted or recess mounted.

Save these instructions for future use and reference.

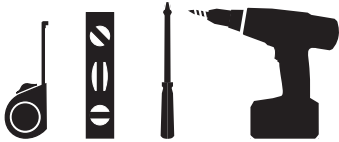
An improper installation voids the warranty. Installed cabinets cannot be returned. If you experience any problems with your cabinet, contact your dealer or Robern directly.



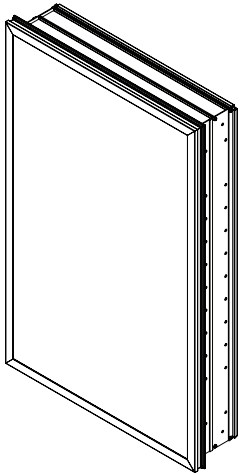
**WARNING:** Magnetic Accessory Tool Holder can be harmful to pacemaker wearers and others with medical implants.

Limited Warranty — One Year Term

# TOOLS NEEDED



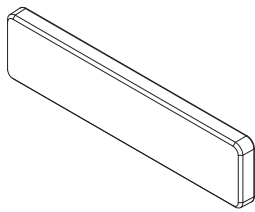
# PARTS




(1) Profiles Framed Cabinet  
(3-4) Glass Shelf

[216-1096] Hardware Bag				
 [SS674] (6) #10 x 2" Screw	 [SS666] (3) Hinge Clip	 [SS134] (50 / 100) Hole Plug	 [SS672] (6 / 12) Screw Cap	 [SS131] (16 / 32) Shelf Clip

[205-1784]  
Magnetic Accessory Tool Holder





(30")MSMK30D4P, (40")MSMK40D4P, (48")MSMK48D4P  
Optional for surface mounting

 (2) Glass Side Panel	 [SS672] (12) Screw Cap	 [203-1349] (6) Wall Anchors	 [SS674] (6) #10 x 2" Screw
	 [SS676] (12) #10 x 1/2 Screw	 [SS712] (3) Top Clip	 (2) Z Mounting Bars

## NOTES

When using an electrical furnishing, basic precautions should always be followed, including the following:

**⚡ DANGER:** Read all instructions before using this cabinet.

**⚡ WARNING:** To reduce the risk of burns, fire, electric shock, or injury to persons: Use this furnishing only for its intended use as described in these instructions. Do not use attachments not recommended by the manufacturer. Never drop or insert any object into any opening. Do not use outdoors.

**⚡ WARNING:** Risk of electric shock. Connect this furnishing to a properly grounded circuit only. See Grounding instructions.

**⚡ CAUTION:** Maximum shelf load 34lbs/15.4kg

**⚡ GROUNDING INSTRUCTIONS:** This product must be connected to a grounded metal, permanent wiring system, or an equipment-grounding conductor must be run with the circuit conductors and connected to the equipment-grounding terminal or lead on the product.

**⚡ WARNING:** An Electrical option cabinet must be wired to a 20 Amp GFI (Ground Fault Interrupter) protected circuit when used in bathrooms and all other locations required by the National Electric Code.

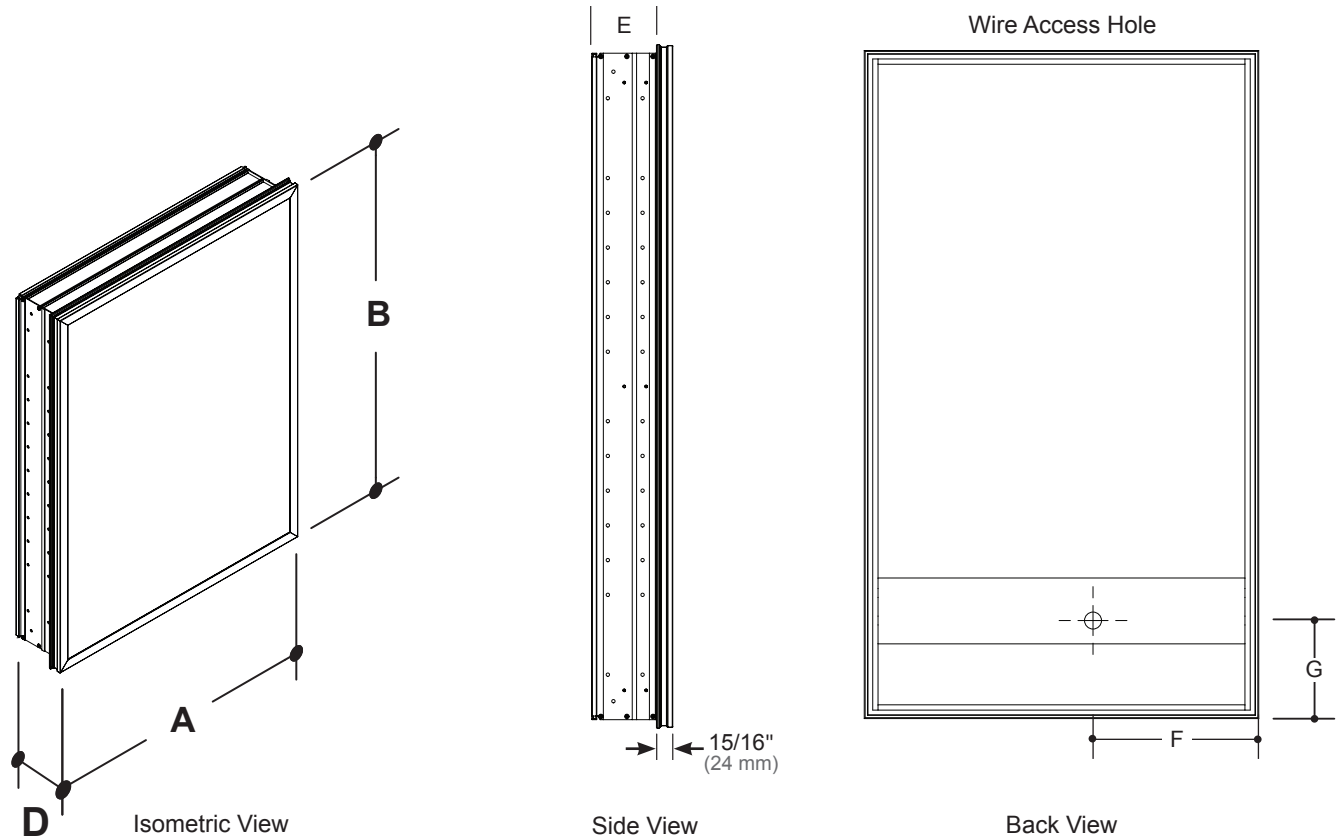
## MODEL NUMBERS

Use the chart below to learn how to build a Profiles Cabinet Model number. This chart references the model number for a 24" W x 30" H x 4" D Profiles cabinet. Consult the Robern Price Book for a complete list of model numbers. The model number is located inside of your cabinet.

Model Numbers	P	C	24	30	D4	T	L	E	76
Product	P = Profiles								
Category	C = Cabinet								
Width	12 = 12" / 305 mm 16 = 16" / 406 mm 20 = 20" / 508 mm 24 = 24" / 610 mm								
Height	30 = 30" / 762 mm 40 = 39-3/8" / 1000 mm 48 = 48" / 1219 mm								
Depth	D4 = 4-5/8" / 117 mm D6 = 6-5/8" / 168 mm								
Frame Width	T = 3/4" / 19 mm								
Hinge Location	L = Left R = Right N = Non-Handed								
Options	E = Electric N = Non-Electric								
Metal Frame Finishes	76 = Chrome 77 = Polished Nickel 82 = Matte Gold 83 = Matte Black								

# DIMENSIONS

Determine overall cabinet dimensions. If recessing cabinet, determine rough-in dimensions. See chart for specific model dimensions.



Rough Opening (RO) for recessed installation in chart below

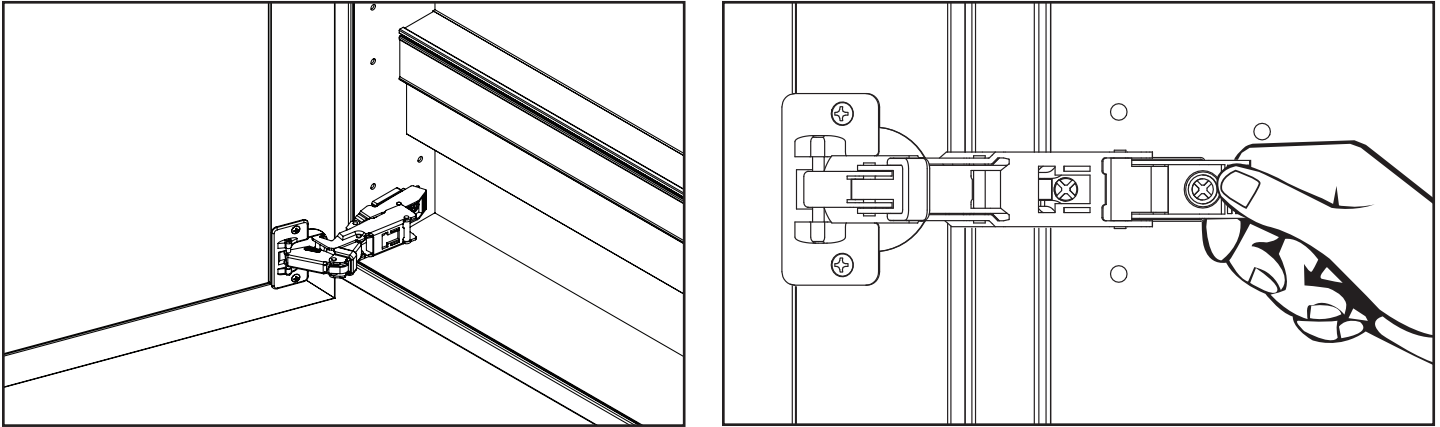
	PC1230D4	PC1630D4	PC2030D4	PC2430D4	PC1240D4	PC1640D4	PC2040D4	PC2440D4	PC1648D4	PC2048D4	PC2448D4	PC1230D6	PC1630D6	PC2030D6	PC2430D6	PC1240D6	PC1640D6	PC2040D6	PC2440D6	
<b>A</b>	11-1/4" (286 mm)	15-1/4" (387 mm)	19-1/4" (489 mm)	23-1/4" (591 mm)	11-1/4" (286 mm)	15-1/4" (387 mm)	19-1/4" (489 mm)	23-1/4" (591 mm)	15-1/4" (387 mm)	19-1/4" (489 mm)	23-1/4" (591 mm)	11-1/4" (286 mm)	15-1/4" (387 mm)	19-1/4" (489 mm)	23-1/4" (591 mm)	11-1/4" (286 mm)	15-1/4" (387 mm)	19-1/4" (489 mm)	23-1/4" (591 mm)	
<b>B</b>	30" (762 mm)				39-3/8" (1000 mm)				48" (1219 mm)				30" (762 mm)				39-3/8" (1000 mm)			
<b>RO (A)</b>	10-1/2" (267 mm)	14-1/2" (368 mm)	18-1/2" (470 mm)	22-1/2" (572 mm)	10-1/2" (267 mm)	14-1/2" (368 mm)	18-1/2" (470 mm)	22-1/2" (572 mm)	14-1/2" (368 mm)	18-1/2" (470 mm)	22-1/2" (572 mm)	10-1/2" (267 mm)	14-1/2" (368 mm)	18-1/2" (470 mm)	22-1/2" (572 mm)	10-1/2" (267 mm)	14-1/2" (368 mm)	18-1/2" (470 mm)	22-1/2" (572 mm)	
<b>RO (B)</b>	29-1/4" (743 mm)				38-5/8" (981 mm)				47-1/4" (1200 mm)				29-1/4" (743 mm)				38-5/8" (981 mm)			
<b>D</b>	4-11/16" (119 mm)											6-5/8" (168 mm)								
<b>E</b>	4" (102 mm)											6" (152 mm)								
<b>F</b>	4-5/16" (110 mm)		9-3/4" (248 mm)		4-5/16" (110 mm)		9-3/4" (248 mm)		4-5/16" (110 mm)		9-3/4" (248 mm)		4-5/16" (110 mm)		9-3/4" (248 mm)		4-5/16" (110 mm)		9-3/4" (248 mm)	
<b>G</b>	6-5/8" (168 mm)		5-3/4" (146 mm)		6-5/8" (168 mm)		5-3/4" (146 mm)		6-5/8" (168 mm)		5-3/4" (146 mm)		6-5/8" (168 mm)		5-3/4" (146 mm)		6-5/8" (168 mm)		5-3/4" (146 mm)	

D4 = minimum 4" required or 2X4 construction

D6 = minimum 6" required or 2X6 construction

## REMOVING THE DOOR FOR EASE OF INSTALLATION

To remove, while supporting the door, release the lever under the hinge arm. Slide the door off and store in a safe place.



## ELECTRIC CONNECTIONS

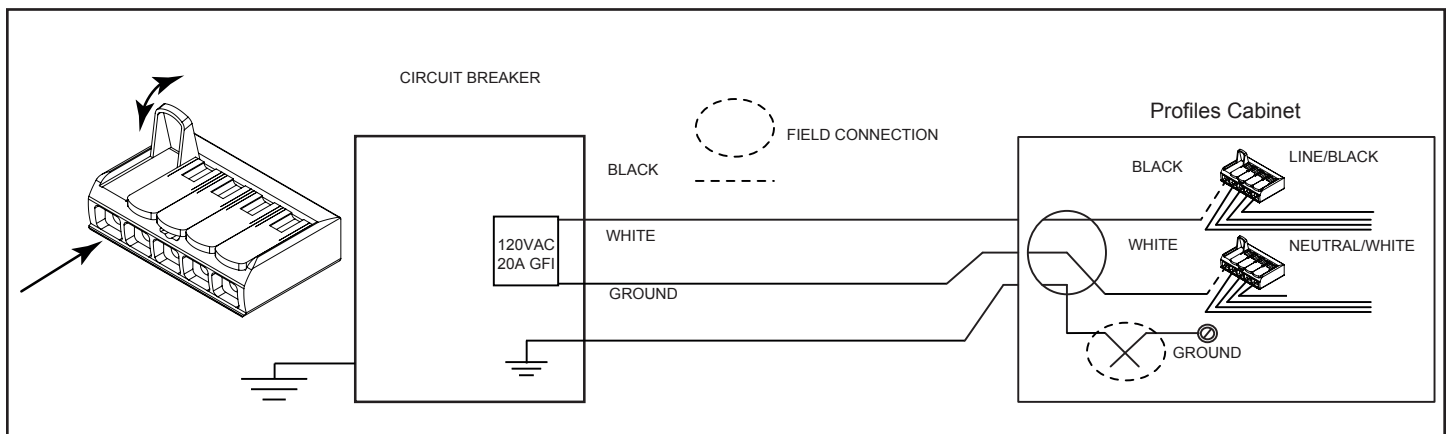
All wiring should be done by a qualified licensed electrician.

**WARNING:** To reduce the risk of electrical shock, shut off power before wiring the cabinet.

**CAUTION:** Requires 120 VAC 20 Amp GFI protected circuit.

**CAUTION:** This product must be connected to a grounded, metal permanent wiring system or an equipment-grounding conductor must be run with the circuit conductors and connected to the equipment grounding terminal or lead on the product.

**WARNING:** An Electrical option cabinet must be wired to a 20 Amp GFI (Ground Fault Interrupter) protected circuit when used in bathrooms and all other locations required by the National Electric Code. Make field connections as per wiring diagram for the electrical option being installed.



# ELECTRIC CONNECTIONS

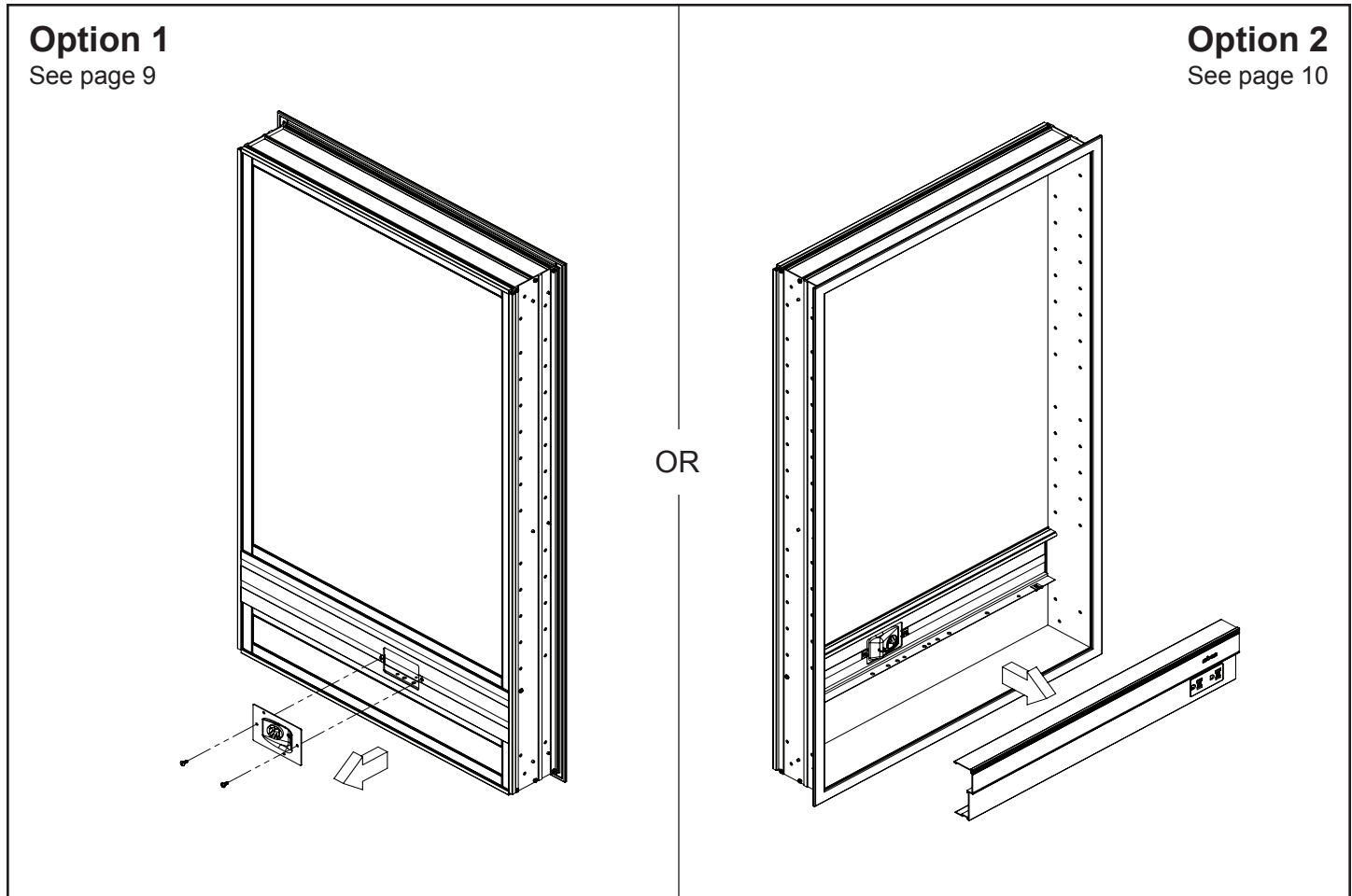
**TWO options for cabinet wiring are available. Select the best option to make your installation easier.**

**Option 1:** Connecting the FIELD/POWER wires at the rear of the cabinet.

*Removing a small cover on the back of the cabinet allows FIELD/POWER wires to be fully connected through an access on the rear of the cabinet. The cabinet is fully wired before mounting in/on the wall.*

**Option 2:** Connecting the FIELD/POWER wires inside the cabinet.

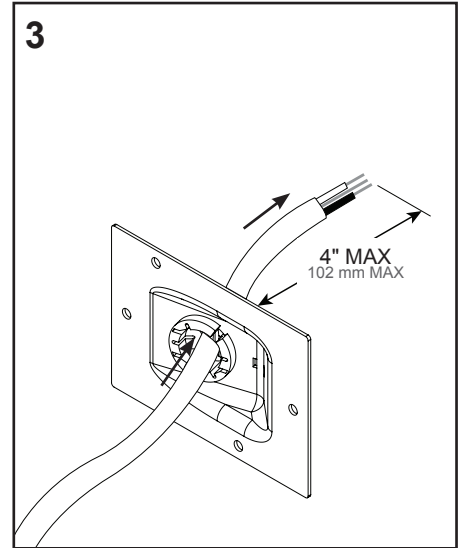
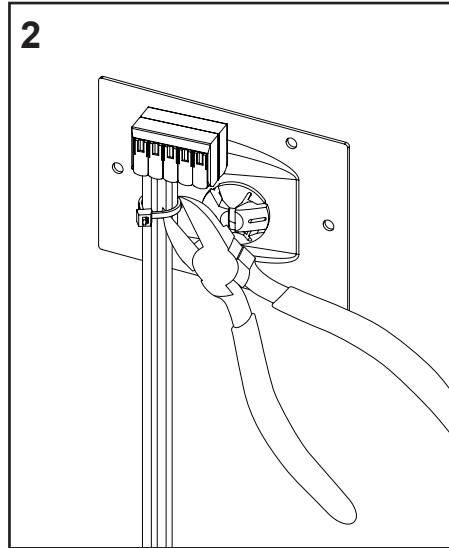
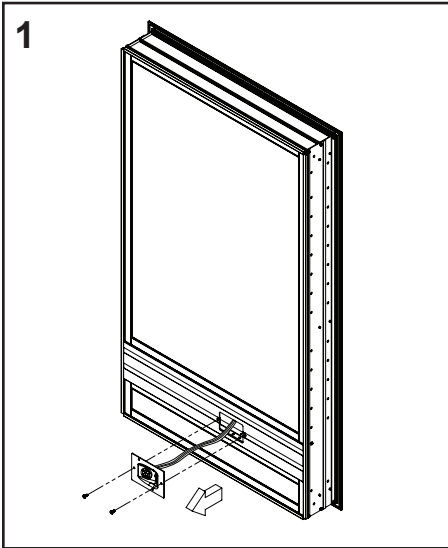
*Removing the electronic shelf cover inside the cabinet allows the FIELD/POWER wires to be connected inside the cabinet. Removal of the interior electrical shelf cover is required. The cabinet can be fully wired after mounting in/ on the wall.*



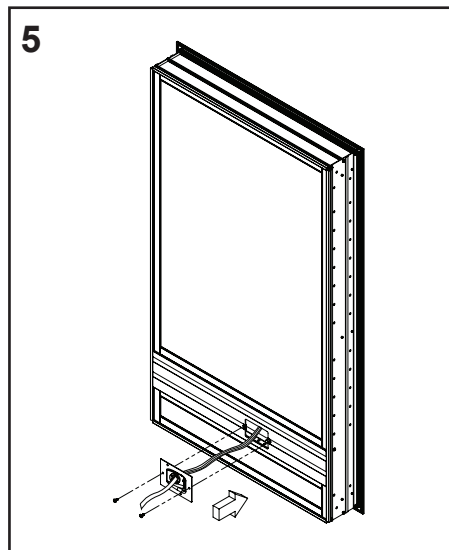
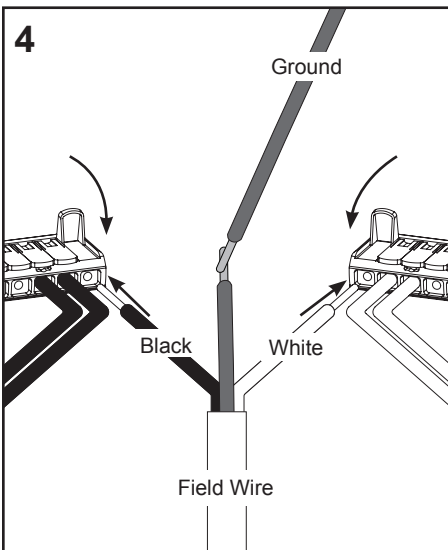
# OPTION 1

## ELECTRIC CONNECTIONS

1. Remove the access screws from the plate located on the back of the cabinet. Remove rear plate to access wires.
2. Carefully cut plastic tie before making the connections.
3. Feed the electric wire through the access hole in the plate as shown.

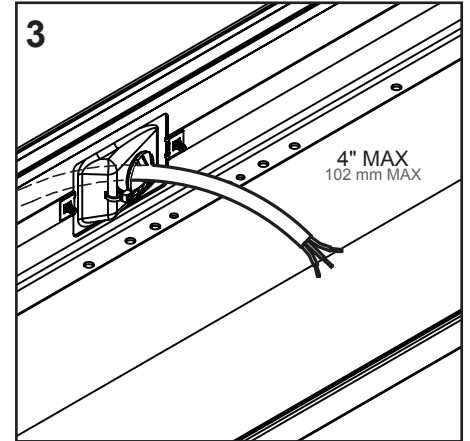
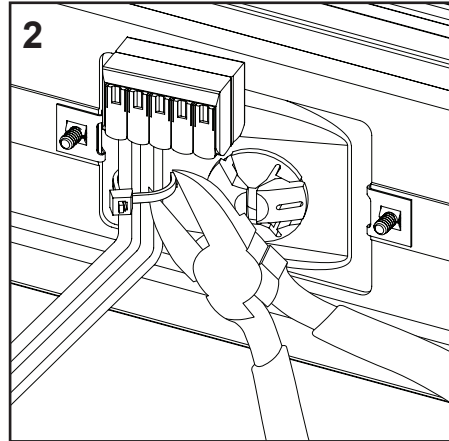
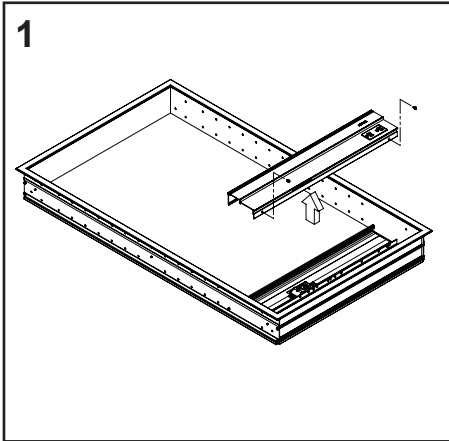


4. Make connections. Neutral to white or ribbed. Line to black or smooth. Ground to green.
5. Reinstall rear access plate.

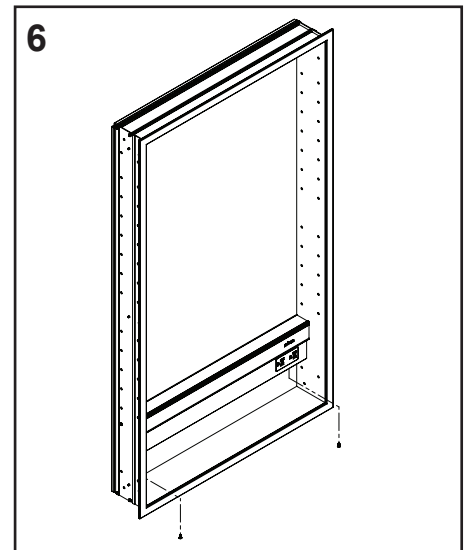
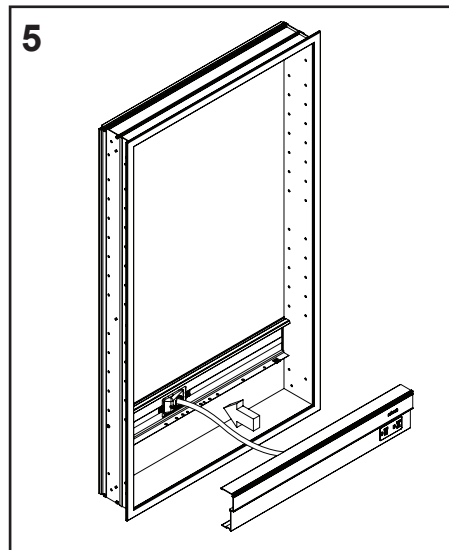
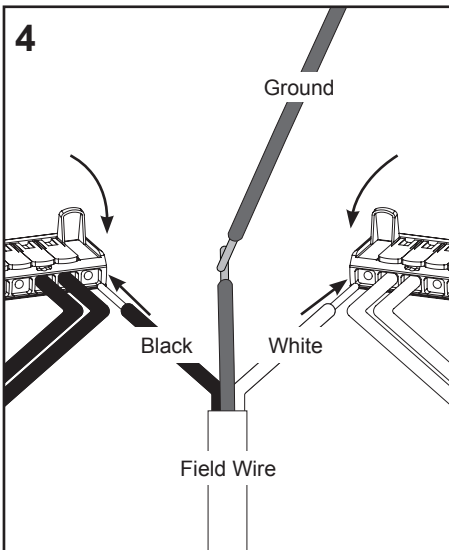


## OPTION 2 ELECTRIC CONNECTIONS

1. Remove the access screws in bottom of the outlet shelf. Lift up and remove outlet shelf for access to electrical connections.
2. Carefully cut plastic tie before making the connections.
3. Feed the electric wire through the access hole in the back of the cabinet.



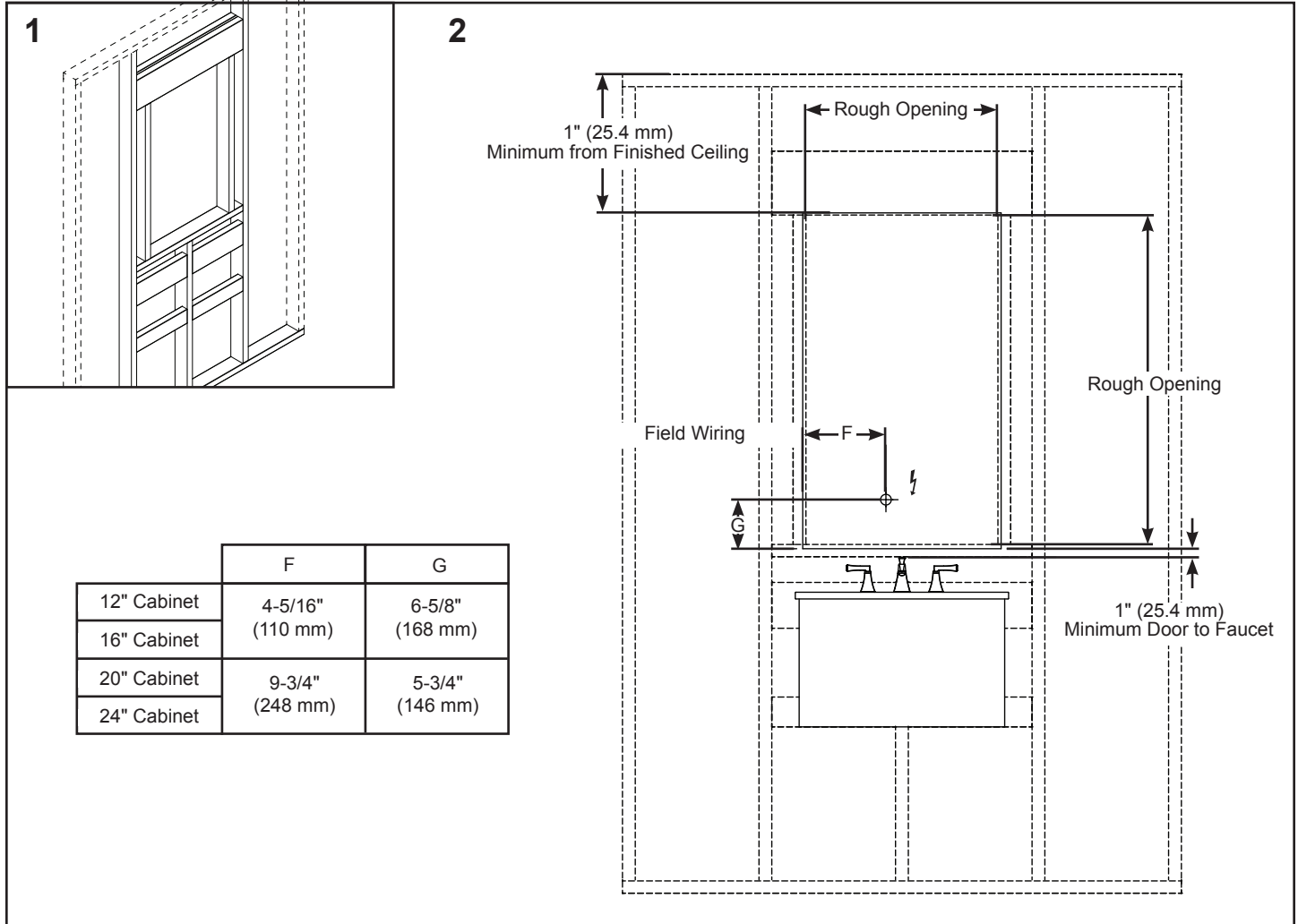
4. Make connections. Neutral to white or ribbed. Line to black or smooth. Ground to green.
5. Engage top of electrical shelf into back raceway and rotate down to close, making sure not to crimp or pinch wires and connections.
6. Replace two access screws on outlet shelf.



# RECESS MOUNTING

These instructions are for recess mounting your cabinet. Remove and store door with cardboard sleeve prior to installation.

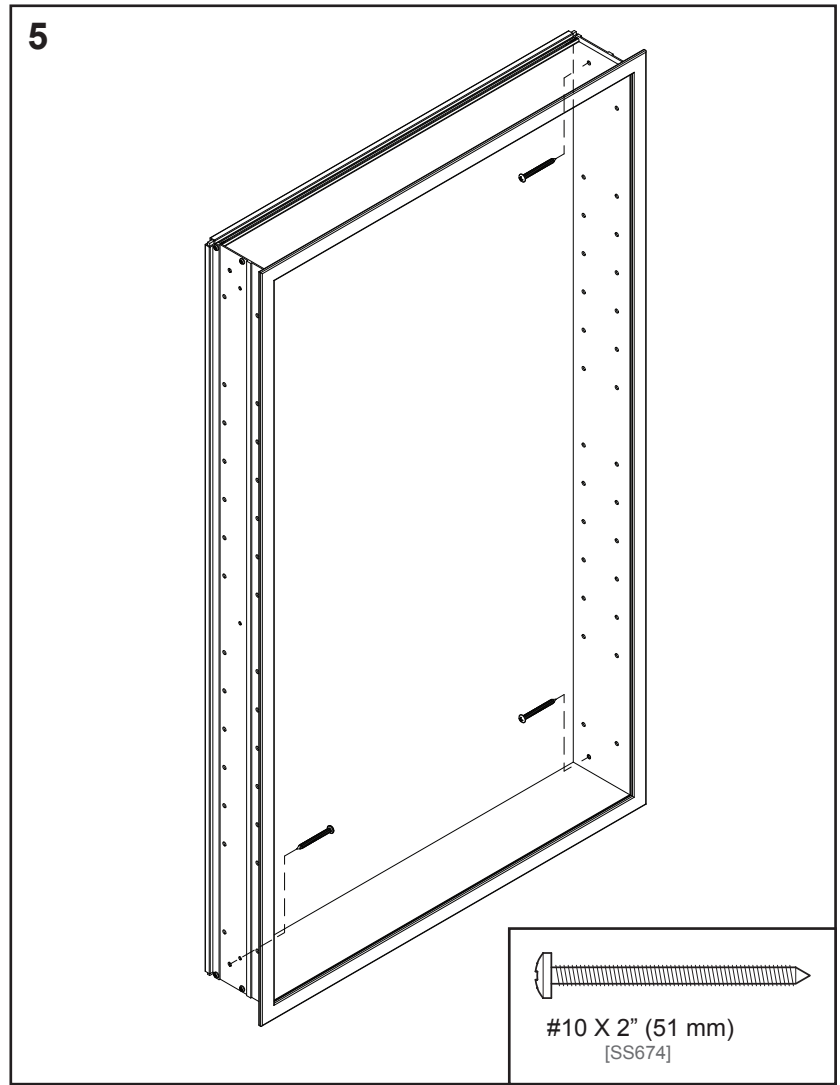
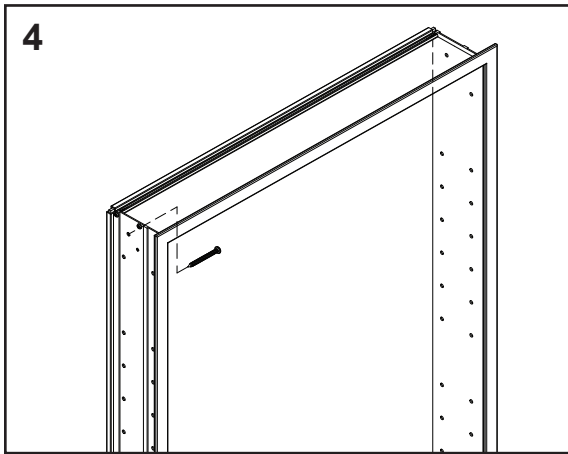
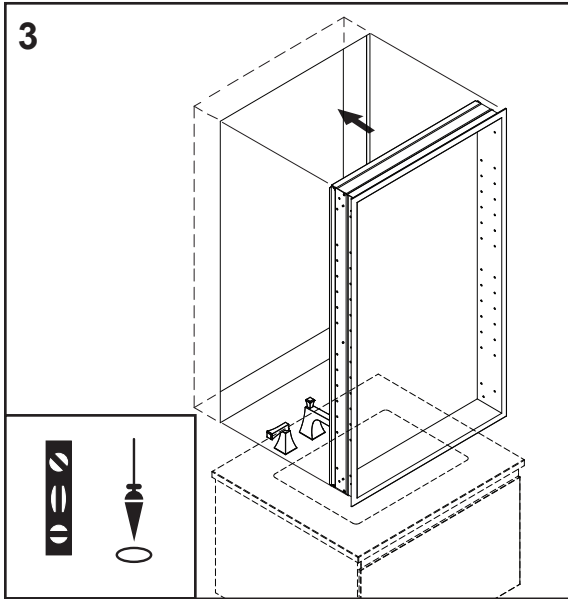
1. Make rough opening and frame on all sides. Find the specific model dimensions to make rough opening (page 5). Make sure cabinet door is at least 1" (25 mm) clearance to the top of the faucet and at least 1" from the ceiling.
2. Electrical field wiring: Pull electric wire through the hole. Be sure to provide enough wire to make proper and safe connections to outlet shelf. See page 7 for electrical connection instructions. See Page 8 for electrical connection options.



	F	G
12" Cabinet	4-5/16"	6-5/8"
16" Cabinet	(110 mm)	(168 mm)
20" Cabinet	9-3/4"	5-3/4"
24" Cabinet	(248 mm)	(146 mm)

## RECESS MOUNTING

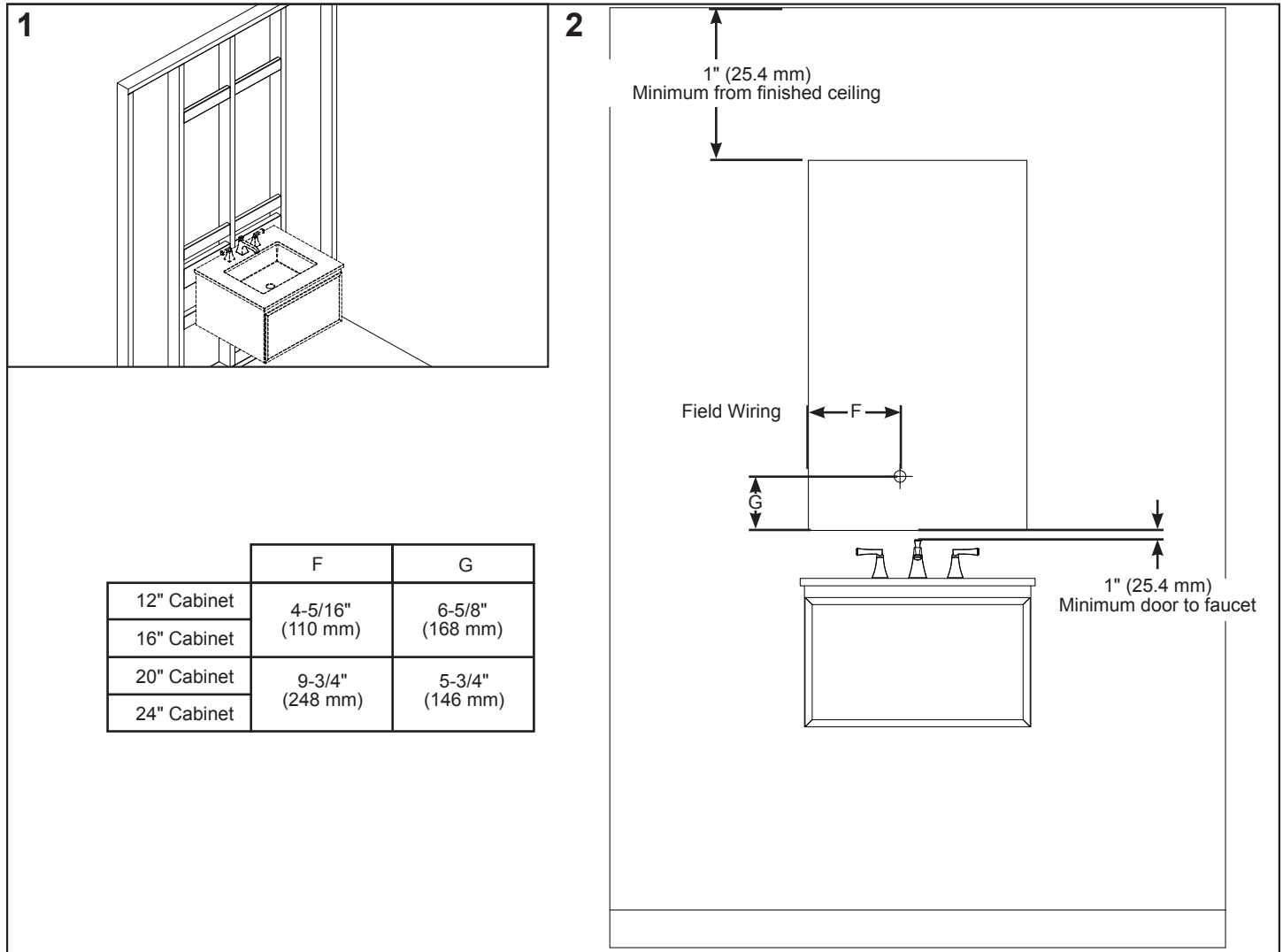
3. Place cabinet in rough-in and make sure cabinet is plumb and level.
4. Install a #10 X 2" (SS674) screw through top mounting hole in cabinet and screw into wall stud as shown. Do not over tighten screw.
5. Once cabinet is plumb and level, install #10 X 2" (SS674) remaining screws into wall stud. Go to page 14 for final assembly.



# SURFACE MOUNTING

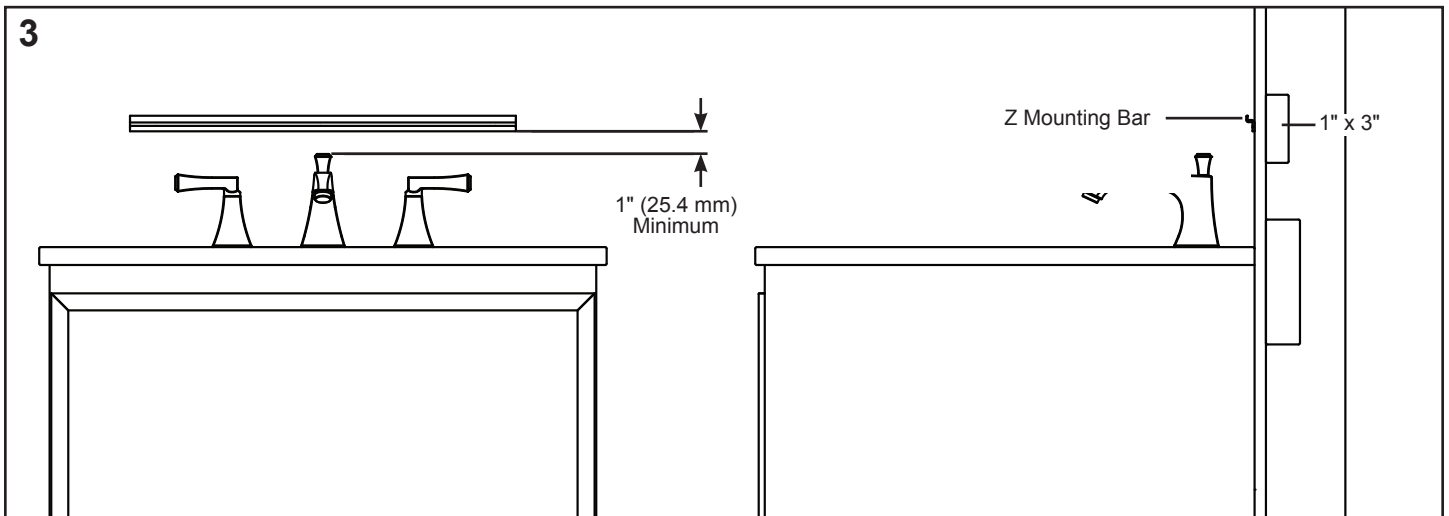
All parts required for surface mounting are included in the optional kit (see page 2). These instructions are for surface mounting. Remove and store door with cardboard sleeve prior to installation.

1. It is strongly recommended that the wall be framed behind the drywall or tile.
2. Electrical field wiring: Electrical feed through location is indicated below. See page 5 for location. See page 7 for electric connection. Make sure cabinet is at least 1" (25.4 mm) clearance to the top of the faucet and at least 1" from the ceiling.



## SURFACE MOUNTING

3. Center Z-mounting bar at cabinet location. Make sure Z-mounting bar is at least 1" (25 mm) above fixtures.

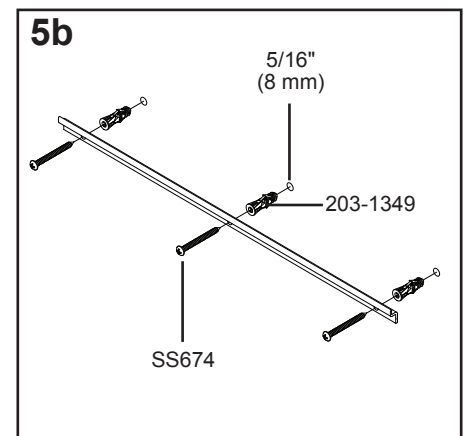
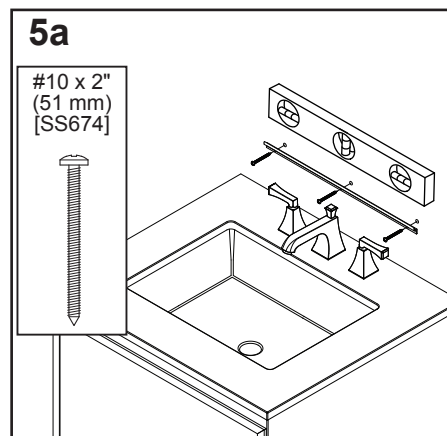
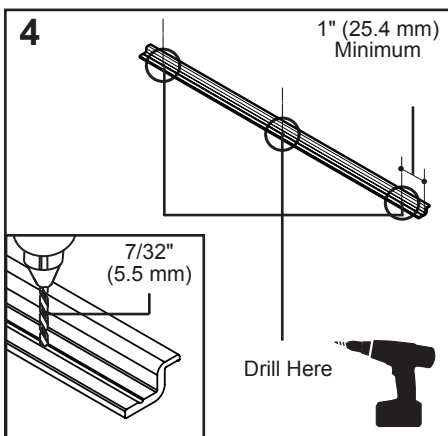


4. Locate and drill three 7/32" (5.5 mm) holes through the indent line on the mounting bar. Be sure the mounting bar is level. Make sure Z mounting bar is centered.

5a. Use three #10 X 2" (SS674) screws provided to attach the Z-mounting bar mounting strip to the wall.

5b. If no furring strip or stud is available, use the supplied plastic anchors, making sure that each cabinet is supported by at least 3 anchors. Drill a 5/16" (8 mm) hole for wall anchors and insert the wall anchor into hole until the anchor flange is flush with the wall.

5c. Use the #10 screw and tighten screw until there is a strong resistance. DO NOT OVER TIGHTEN.



robern

© 2020 Robern, Inc. 701 N. Wilson Ave. Bristol, PA 19007 U.S.A.  
800.877.2376 [www.robern.com](http://www.robern.com)

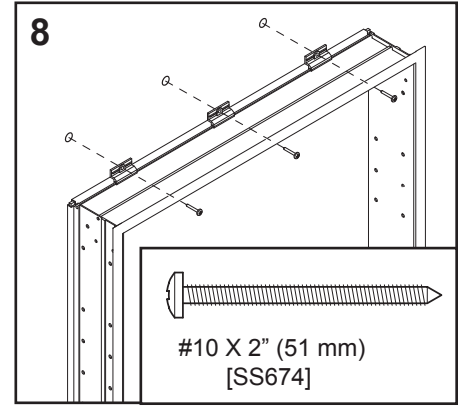
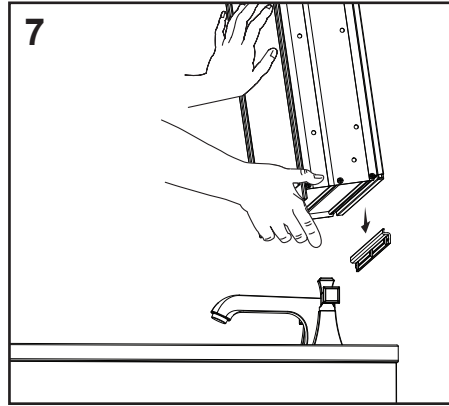
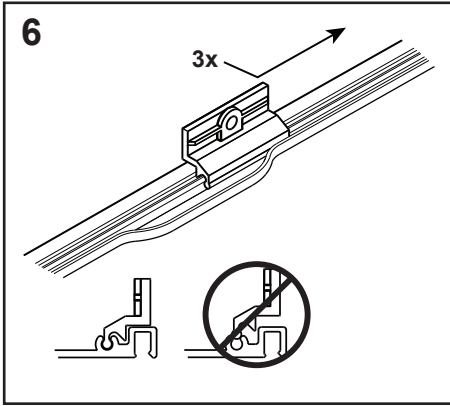
Installation instructions

## SURFACE MOUNTING

6. Slide the three “Z” clips into the screw channel at the top of the cabinet; be sure that the “Z” clips lock into the grooves.

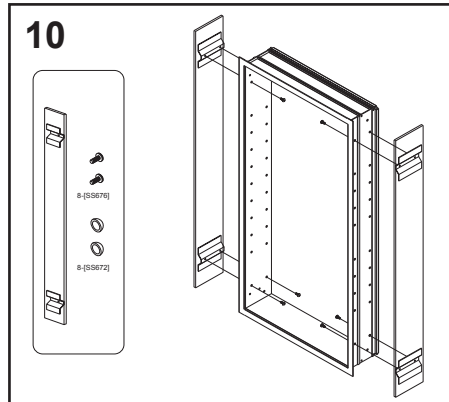
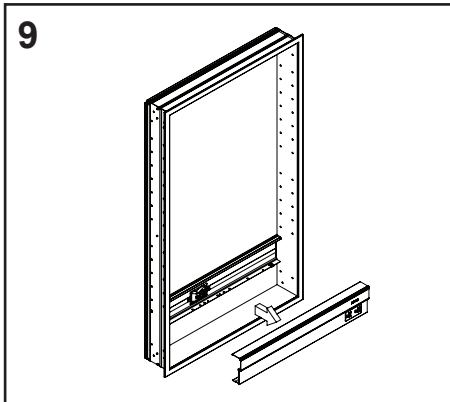
7. Lift the cabinet and place the cabinet onto the Z mounting bar.

8. Using the #10 X 2" (51 mm) screws provided, attach the top of the cabinet to the wall through the top clips as shown. If no stud is available, use wall anchors as described in step 5b.



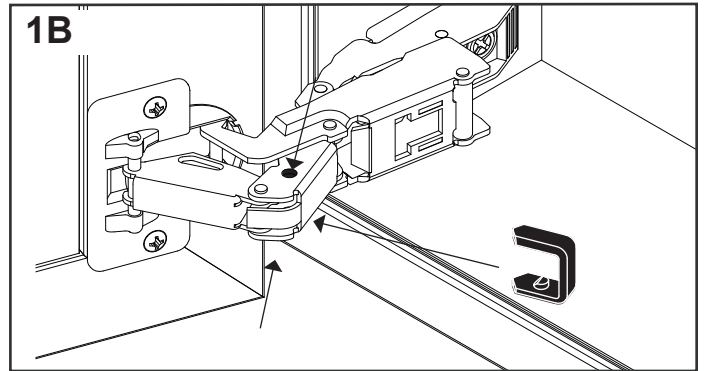
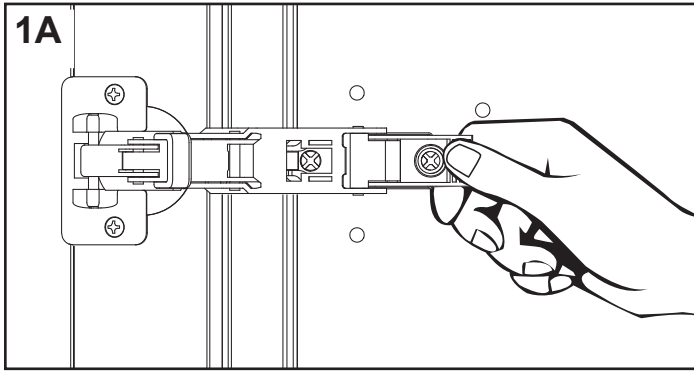
9. Electric: See page 7 for electrical connection instructions. See Page 8 for electrical connection options.

10. Attach Optional Side Kit (sold separately) to cabinet using supplied screws from inside cabinet box into Side Kit. Test the fit of the cabinet before completing installation. Cap the screws with the screw caps provided. Go to page 14 for final assembly.

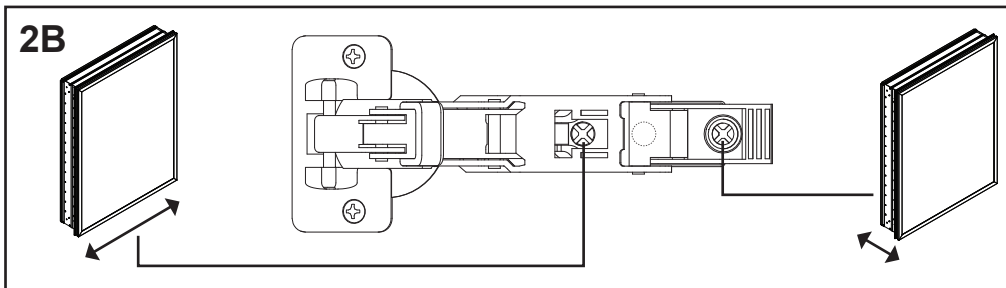
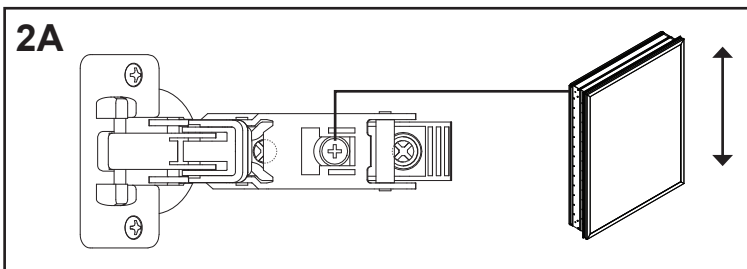


## FINAL ASSEMBLY

1A-B. Mount the doors by pinching the end of the hinge as shown in image 1A. If the installation requires, attach the included hinge clips [SS666] over the elbow of the hinges to stop door swing radius at 110°.

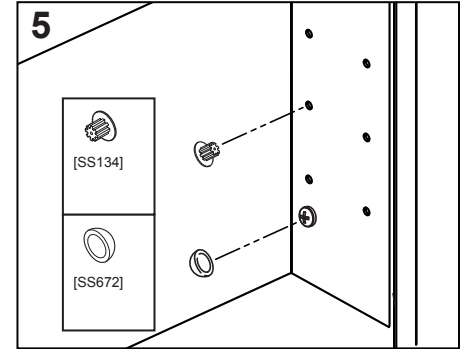
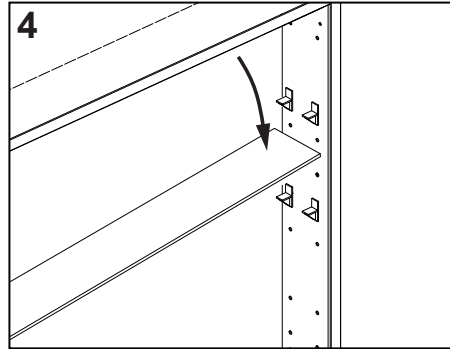
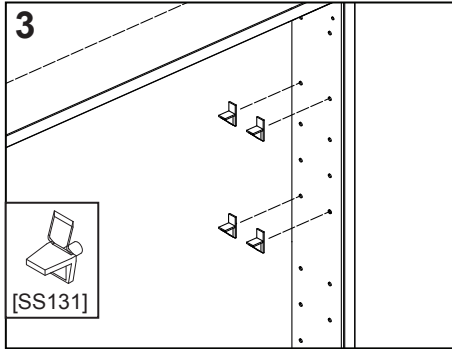


2A-B. The cabinet doors have a three-way adjustment feature. Height, side-to-side level, and depth can all be adjusted using a #2 Phillips Head screwdriver. With the hinge slightly closed, you can access the middle screw. This screw will move your door front up and down (see figure 5A). With the hinge fully extended, you can access the front and back screws. These screws will move your door front from side to side and in and out (see figure 2B).



## FINAL ASSEMBLY

3. Insert clear snap-in Shelf Clips into the holes on the sides of the cabinet.
4. Push one side of the shelf into the left or right clip. Snap the shelf down into the opposite side. If the shelf is too tight, repeat the process starting from the opposite side.
5. Press the shelf hole plugs into the unused holes inside the cabinet. Place the screw head caps over any exposed screw heads.



**NOTE:** Do not store items in the cabinet area directly behind the hinge, as damage may occur to cabinet or items.

---

## USE AND MAINTENANCE

CAUTION: Maximum shelf load 34 LBS.

The cabinet door and interior are constructed of mirrored glass and aluminum. Use only a damp cloth to clean. Ammonia or vinegar based cleaners can damage mirrors.

A 50/50 solution of water and isopropyl alcohol is recommended for cleaning the mirrors. A mild detergent may be used on the surfaces.

When cleaning, spray the cloth, not the cabinet, mirror, or surround surfaces.  
Do not use abrasive cleansers on any part of the light fixture.



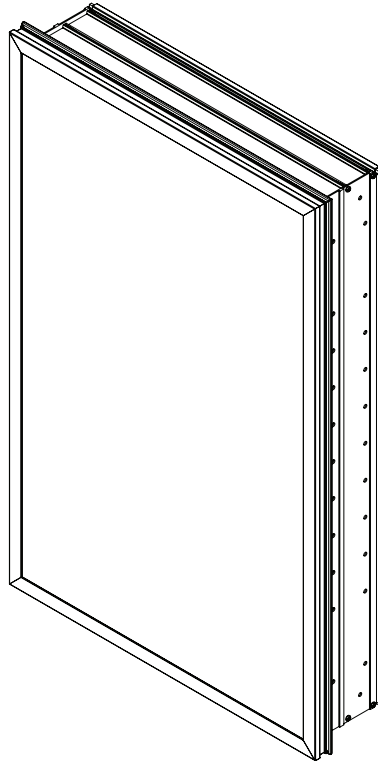
---

## WARRANTY

Limited Warranty One Year Term

ROBERN warrants to the original purchaser that, it will, at its election repair, replace, or make appropriate adjustment to products made by this company shown to have significant defects in material or workmanship which are reported to ROBERN in writing within one (1) year from the date of delivery. ROBERN is not responsible for installation costs. The warranty is void in the event the product is damaged in transit, or if damage or failure is caused by abuse, misuse, abnormal usage, faulty installation, damage in an accident, improper maintenance, or any repairs other than those authorized by ROBERN. At the expiration of the one year warranty period, ROBERN shall be under no further obligation under any warranty, expressed or implied, including the implied warranty of merchantability. ROBERN shall not be liable for any consequential damages arising out of or in connection with the use or performance of its products. Some states do not allow limitations on how long an implied warranty lasts or do not allow the exclusion or limitation of incidental or consequential damages, so the above limitation or exclusion may not apply to you. Any liability against ROBERN under any implied warranty, including the warranty of merchantability, is expressly limited to the terms of this warranty. Permission to return any merchandise under this warranty must be authorized by ROBERN and returned prepaid by the purchaser. Claims under this warranty should be sent directly to your dealer.

©2020 ROBERN, INC.  
ALL RIGHTS RESERVED



PC1230D4T, PC1630D4T,  
 PC2030D4T, PC2430D4T,  
 PC1240D4T, PC1640D4T,  
 PC2040D4T, PC2440D4T,

PC1648D4T, PC2048D4T,  
 PC2448D4T,

PC1230D6T, PC1630D6T,  
 PC2030D6T, PC2430D6T,  
 PC1240D6T, PC1640D6T,  
 PC2040D6T, PC2440D6T,

## TABLE DES MATIÈRES

Information Générale - <b>17</b>	Raccordements Électriques - <b>21</b>
Outils Nécessaires - <b>18</b>	<i>Option 1 - 23</i>
Pièces - <b>18</b>	<i>Option 2 - 24</i>
Remarques - <b>19</b>	Montage Encastré - <b>25</b>
Numéros de Modèle - <b>19</b>	Montage En Surface - <b>27</b>
Dimensions - <b>20</b>	Assemblage Final - <b>30</b>
Retrait de la Porte Pour Faciliter L'installation - <b>21</b>	Garantie - <b>32</b>
	Utilisation et Entretien - <b>32</b>

## INFORMATION GÉNÉRALE

Ce feuillet d'instructions contient des informations sur la façon d'installer les armoires de la Profiles framed. Cette série est disponible en différentes tailles. Reportez-vous aux numéros de modèles spécifiques pour les dimensions.

Lisez les instructions spécifiques pour faire votre armoire sera monté. Les armoires peuvent être montés en surface, évidement monté ou.

Conservez ces instructions pour l'utilisation et la référence future. Un inappropriées annule la garantie de l'installation. Cabinets installés ne peuvent être retournés.

Si vous rencontrez des problèmes avec votre cabinet, contactez votre revendeur ou directement Robern.

**AVERTISSEMENT:** porte-outil accessoire magnétique peuvent être nocifs pour les porteurs de stimulateurs cardiaques et autres implants médicaux avec.

Garantie limitée - UN AN

## CONTENIDO

Información General - <b>17</b>	Conexiones Eléctricas - <b>21</b>
Herramientas Necesarias - <b>18</b>	<i>Opción 1 - 23</i>
Piezas - <b>18</b>	<i>Opción 2 - 24</i>
Notas - <b>19</b>	Montaje Empotrado - <b>25</b>
Números de Modelo - <b>19</b>	Montaje En Superficie - <b>27</b>
Dimensiones - <b>20</b>	Ensamblado Final - <b>30</b>
Extracción de la Puerta Para Faciliter La Instalación - <b>21</b>	Garantía - <b>32</b>
	Uso y Mantenimiento - <b>32</b>

## INFORMACIÓN GENERAL

Esta hoja de instrucciones contiene información sobre cómo instalar los gabinetes de la Profiles framed. Esta serie viene en varios tamaños. Consulte el número de modelo específico para las dimensiones.

Lea las instrucciones específicas de cómo se va a montar el gabinete. Los gabinetes pueden montarse en la superficie o empotrados.

Guardé estas instrucciones para su uso y referencia futura. Una instalación incorrecta anula la garantía. Gabinetes instalados no se pueden devolver.

Si experimenta algún problema con su gabinete, póngase en contacto con su distribuidor o Robern directamente.

**ADVERTENCIA:** Magnetic Holder herramientas de accesorios pueden ser perjudiciales para las personas con marcapasos y otros implantes médicos.

Garantía limitada - un término del año

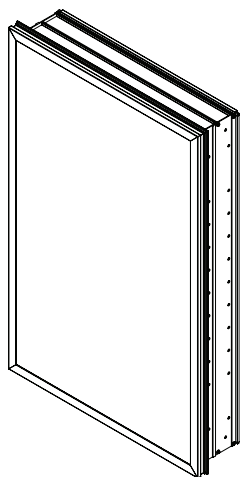
## OUTILS NÉCESSAIRES



## HERRAMIENTAS NECESARIAS

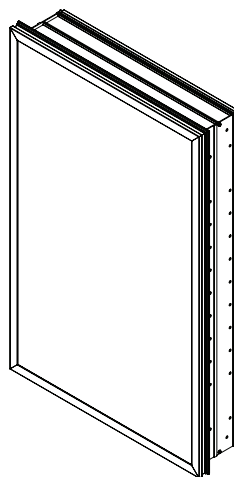


## PIÈCES



(1) Porte simple Profiles Cabinet  
(3-4) Tablette en Verre

## PIEZAS

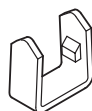


(1) Una sola puerta de Profiles Gabinet  
(3-4) Estante de Vidrio

### Sac De Quincaillerie / Bolsa De Accesorios



[SS674]  
(6) 51 mm Hélice /  
51 mm Tornillo



[SS666]  
(3) Pincés pour Pharnières /  
Sujetadores de Bisagra



[SS134]  
(50/100) Bouchon pour Trou /  
Tapón para los Agujeros



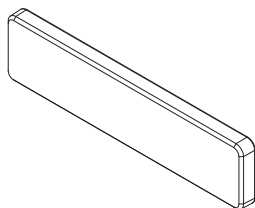
[SS672]  
(6/12) Bouchon de Vis /  
Tapa a Rosca



[SS131]  
(16/32) Plateau Clip /  
Estante Clip

[205-1784]

Magnetic Holder Accessoire Outillage /  
Magnetic Holder de Accesorios Para Herramientas



(30")MSMK30D4P, (40")MSMK40D4P, (48")MSMK48D4P  
Optionnel pour un montage en surface /  
Opcional para montaje en superficie



[SS672]  
(12) Bouchon de Vis /  
Tapa a Rosca



[203-1349]  
(6) Ancrages Muraux /  
Ancla de Pared



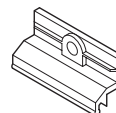
[SS674]  
(6) 51 mm Hélice /  
51 mm Tornillo



(2) Panneau Latéral de Verre /  
Panel Lateral de Vidrio



[SS676]  
(12) #10 x 1/2 Hélice /  
#10 x 1/2 Tornillo



[SS712]  
(3) Top Clip /  
Top Clip



(2) Barre de Montage en Z /  
Barra de Montaje en Z

robern

© 2020 Robern, Inc. 701 N. Wilson Ave. Bristol, PA 19007 U.S.A.  
800.877.2376 [www.robern.com](http://www.robern.com)

Instructions d'installation / Instrucciones de instalación

No. de pièce / Pieza n.° 209-1289 rev. 03/10/20  
Profiles Framed Cabinet / Profiles Framed Gabinet

## REMARQUES

Lors de l'utilisation d'un meuble électrique, des précautions de base doivent toujours être suivies, notamment les suivantes:

**⚠ DANGER:** Lisez toutes les instructions avant d'utiliser cette armoire.

**⚠ AVERTISSEMENT:** Pour réduire le risque de brûlures, d'incendie, de choc électrique ou de blessures corporelles: n'utilisez ce meuble que pour l'usage auquel il est destiné, comme décrit dans ces instructions. N'utilisez pas d'accessoires non recommandés par le fabricant. Ne laissez jamais tomber ou n'insérez aucun objet dans une ouverture. Ne pas utiliser à l'extérieur.

**⚠ AVERTISSEMENT:** Risque de choc électrique. Connectez ce meuble à un circuit correctement mis à la terre uniquement. Voir les instructions de mise à la terre.

**⚠ AVERTISSEMENT:** TABLETTE POIDS MAX 15.4 KGS.

### ⚠ INSTRUCTIONS DE MISE À LA TERRE:

Ce produit doit être connecté à un métal mis à la terre, un système de câblage permanent, ou un conducteur de mise à la terre de l'équipement doit être utilisé avec les conducteurs du circuit et connecté à la borne de mise à la terre de l'équipement ou au fil du produit.

**⚠ AVERTISSEMENT:** Une armoire à option électrique doit être câblée à un circuit protégé par un GFI (disjoncteur de fuite de terre) de 20 ampères si elle est utilisée dans des salles de bain et dans tous autres emplacements requis par le National Electric Code (Code électrique national).

## NOTAS

Quando se utiliza un mobiliario eléctrico, siempre se deben seguir las precauciones básicas, incluidas las siguientes:

**⚠ PELIGRO:** Lea todas las instrucciones antes de usar este gabinete.

**⚠ ADVERTENCIA:** Para reducir el riesgo de quemaduras, incendio, descarga eléctrica o lesiones a las personas: use este mobiliario solo para el uso previsto como se describe en estas instrucciones. No utilice accesorios no recomendados por el fabricante. Nunca deje caer ni inserte ningún objeto en ninguna abertura. No utilizar al aire libre.

**⚠ ADVERTENCIA:** Riesgo de descarga eléctrica. Conecte este mobiliario solo a un circuito debidamente conectado a tierra. Consulte las instrucciones de conexión a tierra.

**⚠ PRECAUCIÓN:** Carga máxima en el estante 15.4 kg

### ⚠ INSTRUCCIONES DE CONEXIÓN

**A TIERRA:** Este producto debe conectarse a un sistema de cableado permanente conectado a tierra de metal, o un conductor de conexión a tierra del equipo debe funcionar con los conductores del circuito y conectado a la terminal de conexión a tierra del equipo o al cable del producto.

**⚠ ADVERTENCIA:** Un gabinete de opciones eléctricas debe conectarse a un circuito protegido de 20 amp GFI (interruptor de falla a tierra) cuando se usa en baños y en todas las demás ubicaciones requeridas por el Código Eléctrico Nacional.

## NUMÉROS DE MODÈLE

Utiliser le tableau ci-dessous pour apprendre à construire un numéro de modèle d'armoire de Profiles. Ce tableau se rapporte au numéro de modèle pour une armoire Profiles de 24" l x 30" H x 4" P. Consulter le catalogue des prix Robern pour obtenir une liste complète des numéros de modèles. Le numéro de modèle est situé à l'intérieur de votre armoire.

## NÚMEROS DE MODELO

Use la siguiente tabla para ver cómo construir un gabinete número de modelo Profiles. Esta tabla hace referencia al número de modelo de un gabinete Profiles de 24" de ancho x 30" de altura x 4" profundidad. Consulte la lista completa de números de modelo en la lista de precios Robern. El número de modelo se encuentra en el interior de su gabinete.

### Numéros de Modèle / Números de Modelo

	P	C	24	30	D4	T	L	E	76
Produit / Producto	P = Profiles / Profiles								
Catégorie / Categoría	C = Armoire / Gabinete								
Largeur / Ancho	12 = 12" / 305 mm 16 = 16" / 406 mm 20 = 20" / 508 mm 24 = 24" / 610 mm								
Hauteur / Altura	30 = 30" / 762 mm 40 = 39-3/8" / 1000 mm 48 = 48" / 1219 mm								
Profondeur / Profundidad	D4 = 4-5/8" / 117 mm D6 = 6-5/8" / 168 mm								
Frame Width	T = 3/4" / 19 mm								
Largeur de Cadre / Ancho del Marco	L = Gauche / Izquierda R = Droite / Derecha N = Non-Handed / Sin Huelga								
Options / Opciones	E = Électrique / Eléctrico N = Non-Électrique / No Eléctrico								
Finitions en Métal / Acabados de Marcos Metálicos	76 = Chrome 77 = Polished Nickel 82 = Matte Gold 83 = Matte Black								

robern

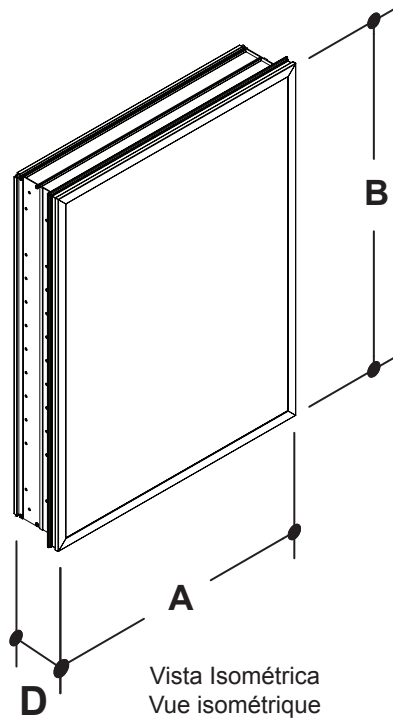
© 2020 Robern, Inc. 701 N. Wilson Ave. Bristol, PA 19007 U.S.A.  
800.877.2376 [www.robern.com](http://www.robern.com)

Instructions d'installation / Instrucciones de instalación

No. de pièce / Pieza n.° 209-1289 rev. 03/10/20  
Profiles Framed Cabinet / Profiles Framed Gabinete

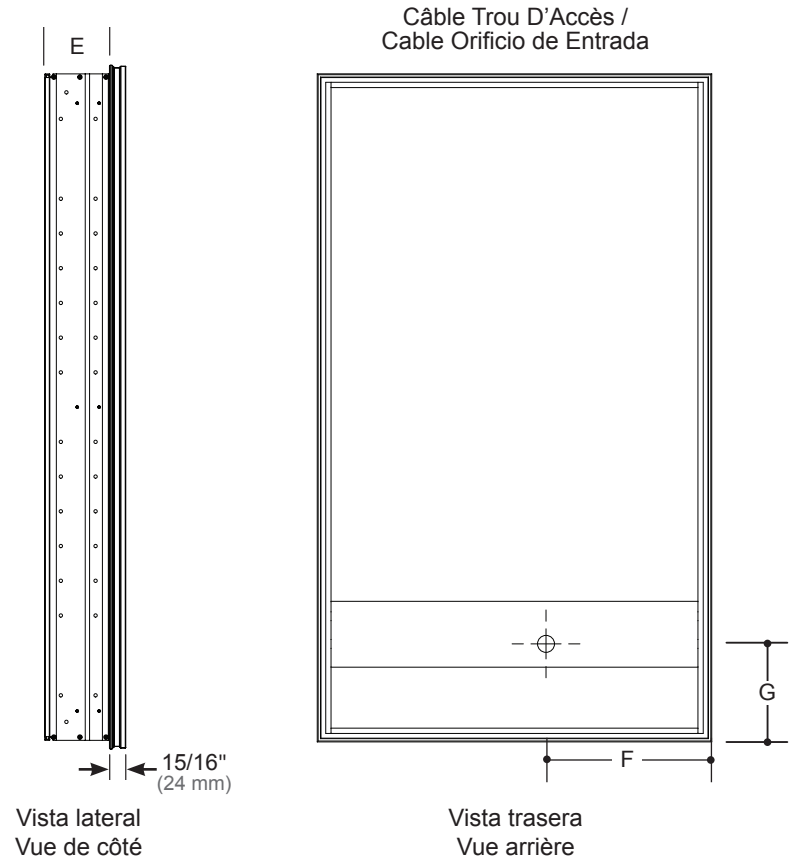
## DIMENSIONS

Déterminez les dimensions globales de l'armoire. Pour une armoire encastrée, déterminer les dimensions brutes. Voir le tableau pour les dimensions spécifiques selon le modèle.



## DIMENSIONES

Determinar gabinete y las dimensiones de. Si empotrar gabinete, determinar las dimensiones toscamente en. Vea la tabla para las dimensiones específicas del modelo.



Ouverture Brute (RO) pour installation encastrée dans le tableau ci-dessous /  
Apertura Áspera (RO) para instalación empotrada en la siguiente tabla Profundidad Del Empotrado

	PC1230D4	PC1630D4	PC2030D4	PC2430D4	PC1240D4	PC1640D4	PC2040D4	PC2440D4	PC1648D4	PC2048D4	PC2448D4	PC1230D6	PC1630D6	PC2030D6	PC2430D6	PC1240D6	PC1640D6	PC2040D6	PC2440D6	
A	11-1/4" (286 mm)	15-1/4" (387 mm)	19-1/4" (489 mm)	23-1/4" (591 mm)	11-1/4" (286 mm)	15-1/4" (387 mm)	19-1/4" (489 mm)	23-1/4" (591 mm)	15-1/4" (387 mm)	19-1/4" (489 mm)	23-1/4" (591 mm)	11-1/4" (286 mm)	15-1/4" (387 mm)	19-1/4" (489 mm)	23-1/4" (591 mm)	11-1/4" (286 mm)	15-1/4" (387 mm)	19-1/4" (489 mm)	23-1/4" (591 mm)	
B	30" (762 mm)				39-3/8" (1000 mm)				48" (1219 mm)				30" (762 mm)				39-3/8" (1000 mm)			
RO (A)	10-1/2" (267 mm)	14-1/2" (368 mm)	18-1/2" (470 mm)	22-1/2" (572 mm)	10-1/2" (267 mm)	14-1/2" (368 mm)	18-1/2" (470 mm)	22-1/2" (572 mm)	14-1/2" (368 mm)	18-1/2" (470 mm)	22-1/2" (572 mm)	10-1/2" (267 mm)	14-1/2" (368 mm)	18-1/2" (470 mm)	22-1/2" (572 mm)	10-1/2" (267 mm)	14-1/2" (368 mm)	18-1/2" (470 mm)	22-1/2" (572 mm)	
RO (B)	29-1/4" (743 mm)				38-5/8" (981 mm)				47-1/4" (1200 mm)				29-1/4" (743 mm)				38-5/8" (981 mm)			
D	4-11/16" (119 mm)											6-5/8" (168 mm)								
E	4" (102 mm)											6" (152 mm)								
F	4-5/16" (110 mm)		9-3/4" (248 mm)		4-5/16" (110 mm)		9-3/4" (248 mm)		4-5/16" (110 mm)		9-3/4" (248 mm)		4-5/16" (110 mm)		9-3/4" (248 mm)		4-5/16" (110 mm)		9-3/4" (248 mm)	
G	6-5/8" (168 mm)		5-3/4" (146 mm)		6-5/8" (168 mm)		5-3/4" (146 mm)		6-5/8" (168 mm)		5-3/4" (146 mm)		6-5/8" (168 mm)		5-3/4" (146 mm)		6-5/8" (168 mm)		5-3/4" (146 mm)	

D4 = 4" minimum requis ou construction de 2X4 / D4 = 4" (102 mm) como mínimo requeridas o construcción 2X4  
D6 = 6" minimum requis ou construction de 2X6 / D6 = 6" (152 mm) como mínimo requeridas o construcción 2X6

robern

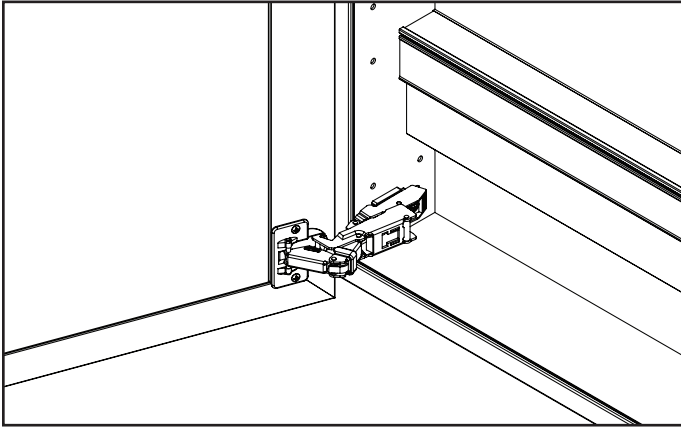
© 2020 Robern, Inc. 701 N. Wilson Ave. Bristol, PA 19007 U.S.A.  
800.877.2376 [www.robern.com](http://www.robern.com)

Instructions d'installation / Instrucciones de instalación

No. de pièce / Pieza n.º 209-1289 rev. 03/10/20  
Profiles Framed Cabinet / Profiles Framed Gabinete

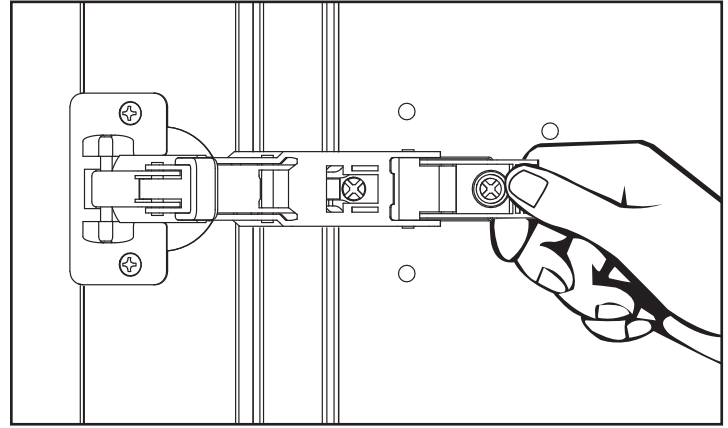
## RETRAIT DE LA PORTE POUR FACILITER L'INSTALLATION

Pour enlever, tout en soutenant la porte, relâchez le levier sous le bras de la charnière. Faites glisser la porte et rangez-la dans un endroit sûr.



## EXTRACCIÓN DE LA PUERTA PARA FACILITAR LA INSTALACIÓN

Para quitar, mientras sostiene la puerta, suelte la palanca debajo del brazo de la bisagra. Deslice la puerta y guárdela en un lugar seguro.



## RACCORDEMENTS ÉLECTRIQUES

Tout le câblage doit être effectué par un électricien professionnel qualifié.

**AVERTISSEMENT:** Pour réduire le risque de choc électrique, coupez l'alimentation avant le câblage de l'armoire.

**ATTENTION:** Nécessite 120 VAC 20 Amp GFI circuit protégé.

**ATTENTION:** Ce produit doit être raccordé à un système de câblage permanent en métal mis à la terre ou un conducteur de terre doit être exécuté avec les conducteurs du circuit et branché à la borne de mise à la terre ou la borne sur le produit.

**AVERTISSEMENT:** Une armoire à option électrique doit être câblée à un circuit protégé par un GFI (disjoncteur de fuite de terre) de 20 ampères si elle est utilisée dans des salles de bain et dans tous autres emplacements requis par le National Electric Code (Code électrique national).

Effectuer les connexions in-situ conformément au diagramme de câblage pour l'option électrique installée.

## CONEXIONES ELÉCTRICAS

Todo el cableado debe ser realizado por un electricista calificado.

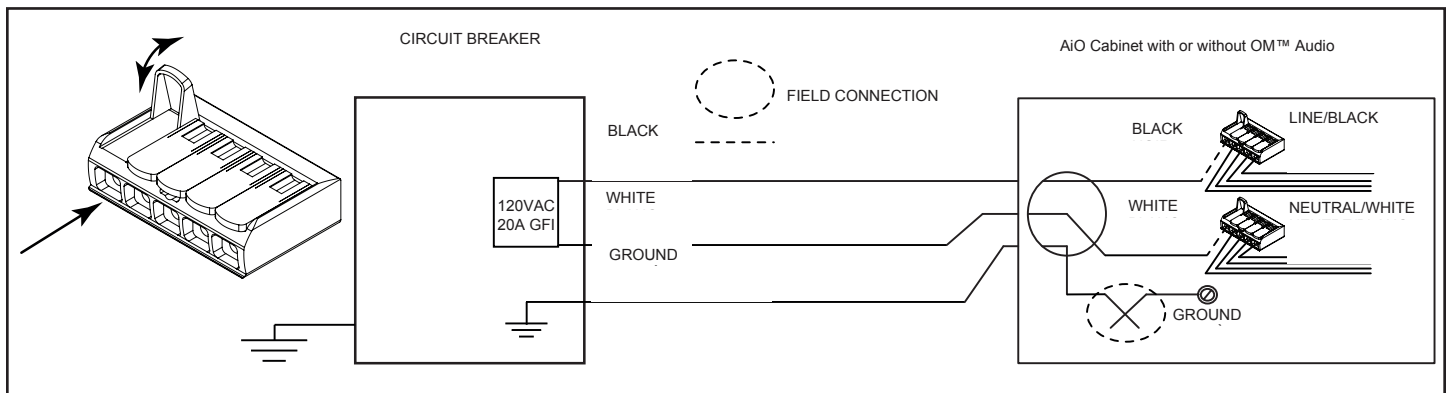
**ADVERTENCIA:** Para reducir el riesgo de descargas eléctricas, apague la alimentación antes de cablear el armario.

**PRECAUCIÓN:** Requiere 120 VAC 20 Amp GFI circuito protegido.

**PRECAUCIÓN:** Este producto debe conectarse a un metal sistema de cableado permanente a tierra o un conductor de puesta a tierra se debe ejecutar con los conductores de circuito y conectado al terminal de tierra del equipo o al cable del producto.

**ADVERTENCIA:** Un gabinete opción eléctrica debe estar conectada a un circuito de 20 amperios protegido GFI (Interruptor de falla a tierra) cuando se usa en baños y todas las demás ubicaciones requeridas por el Código Eléctrico Nacional.

Haga las conexiones en el lugar de la instalación de acuerdo al diagrama de cableado de la opción eléctrica que esté instalando.



robern

© 2020 Robern, Inc. 701 N. Wilson Ave. Bristol, PA 19007 U.S.A.  
800.877.2376 [www.robern.com](http://www.robern.com)

Instructions d'installation / Instrucciones de instalación

No. de pièce / Pieza n.º 209-1289 rev. 03/10/20  
Profiles Framed Cabinet / Profiles Framed Cabinet

## RACCORDEMENTS ÉLECTRIQUES

DEUX options pour le câblage de l' Armoire à pharmacie sont disponibles. Sélectionnez la meilleure option pour rendre votre installation plus facile.

**Option 1:** Raccordement des câbles secteur / alimentation à l'arrière de l'armoire.

*Enlever un petit couvercle à l'arrière de l'armoire permet aux fils secteur / alimentation d'être entièrement connectés par un accès à l'arrière de l'armoire. L'armoire est entièrement câblée avant d'installer dans / sur le mur.*

**Option 2:** Raccordement des câbles secteur / alimentation à l'intérieur de l'armoire.

*En retirant le couvercle de l'étagère électronique à l'intérieur de l'armoire, les câbles secteur / alimentation peuvent être raccordés à l'intérieur de l'armoire. Le retrait du couvercle électrique intérieur de l'étagère est requis. L'armoire peut être entièrement câblée après montage dans / sur le mur.*

## CONEXIONES ELÉCTRICAS

DOS opciones para el cableado del botiquín están disponibles. Seleccionar la mejor opción para que su instalación sea más fácil.

**Opción 1:** Conexión de los cables alimentación / campo en la parte trasera del botiquín.

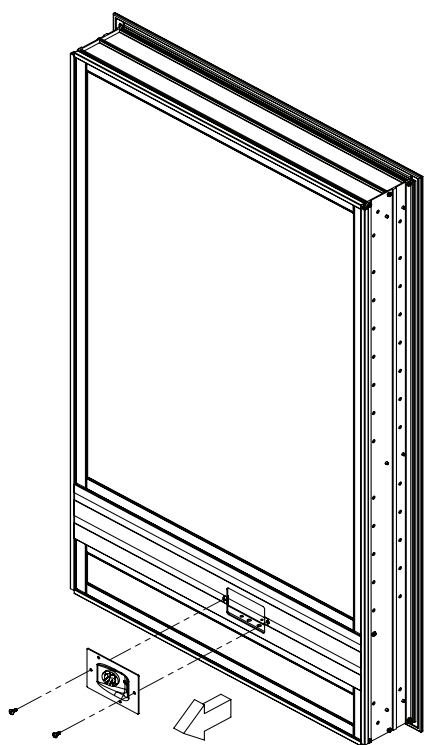
*La extracción de una pequeña cubierta en la parte posterior del gabinete permite que los cables alimentación / campo se conecten completamente a través de un acceso en la parte posterior del botiquín. El botiquín está completamente cableado antes de instalar en / en la pared.*

**Opción 2:** Conexión de los cables alimentación / campo en el interior del botiquín.

*La extracción de la cubierta de la estantería electrónica dentro del armario permite conectar los cables alimentación / campo dentro del botiquín. Se requiere la remoción de la cubierta eléctrica interior del estante. El botiquín puede ser totalmente cableado después de montar en / en la pared.*

### Option / Opción 1

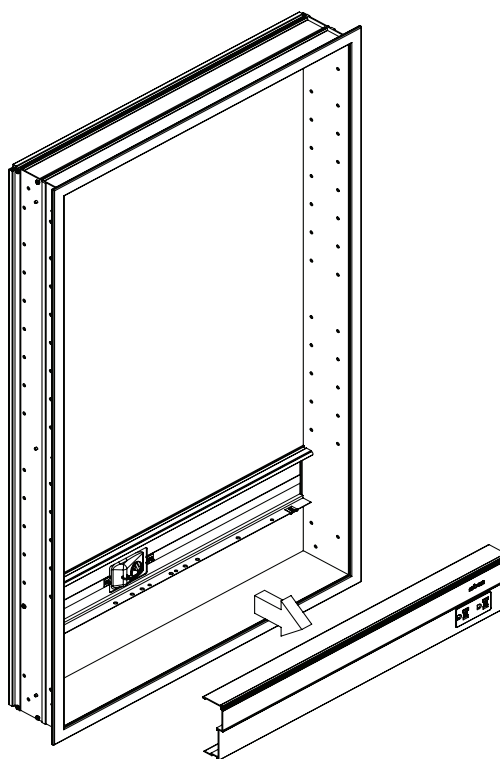
Voir page / Vea la página 9



OU /  
O

### Option / Opción 2

Voir page / Vea la página 10

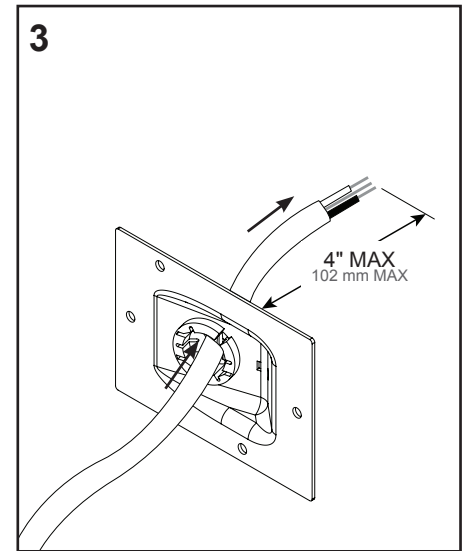
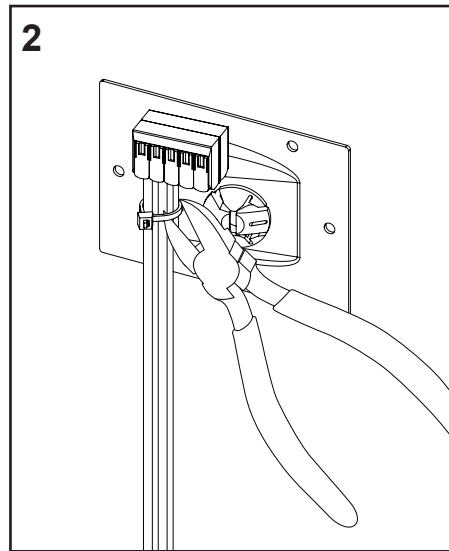
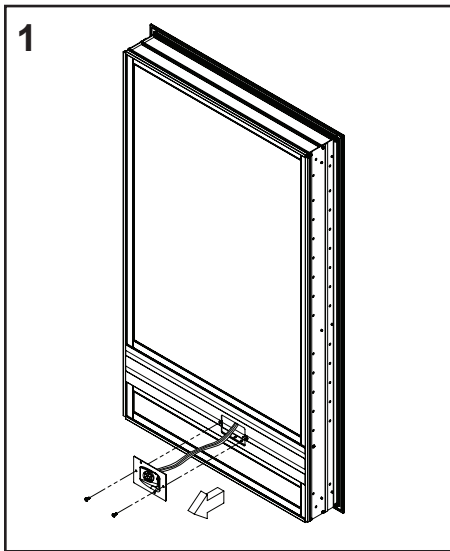


## OPTION 1 RACCORDEMENTS ÉLECTRIQUES

1. Retirez les vis d'accès de la plaque située à l'arrière de l'armoire. Retirez la plaque arrière pour accéder aux fils.
2. Couper soigneusement la cravate en plastique avant d'effectuer les connexions.
3. Alimentez le fil électrique à travers le trou d'accès dans la plaque comme illustré.

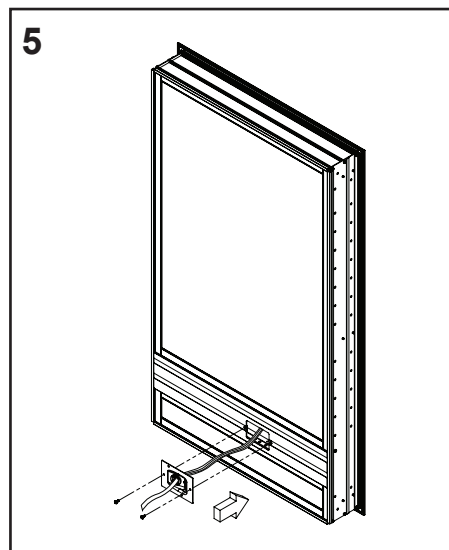
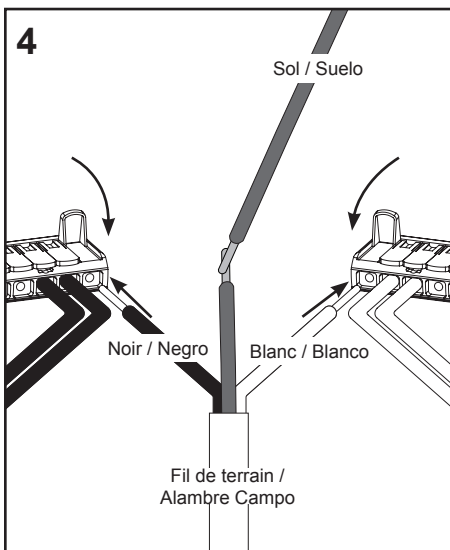
## OPCIÓN 1 CONEXIONES ELÉCTRICAS

1. Retire los tornillos de acceso de la placa ubicada en la parte posterior del gabinete. Retire la placa trasera para acceder a los cables.
2. Corte cuidadosamente la corbata de plástico antes de realizar las conexiones.
3. Pase el cable eléctrico a través del orificio de acceso en la placa como se muestra.



4. Effectuez les connexions. Neutre à blanc ou nervuré. Ligne noire ou lisse. Terrain à vert.
5. Réinstallez la plaque d'accès arrière.

4. Hacer conexiones. Neutral a blanco o acanalado. Línea negra o lisa. De tierra a verde.
5. Vuelva a instalar la placa de acceso posterior.



robern

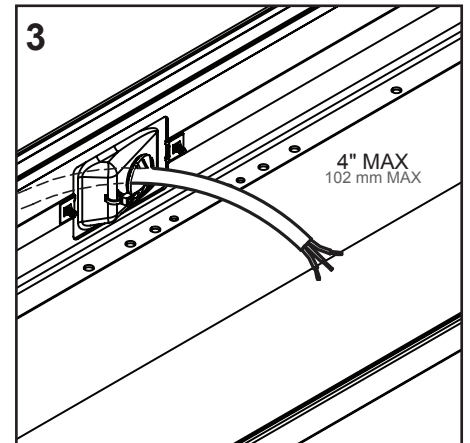
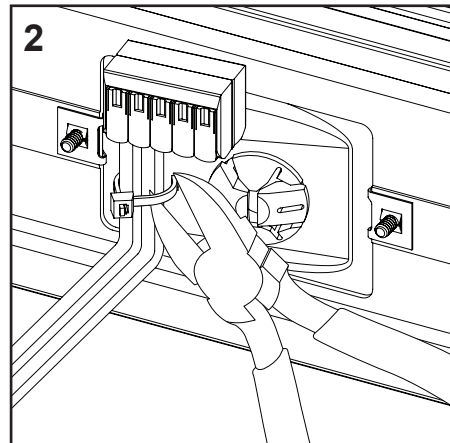
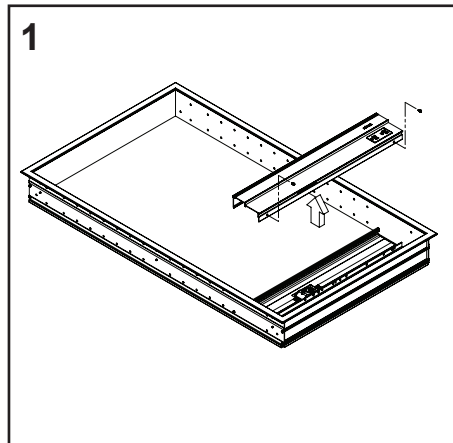
© 2020 Robern, Inc. 701 N. Wilson Ave. Bristol, PA 19007 U.S.A.  
800.877.2376 [www.robern.com](http://www.robern.com)

Instructions d'installation / Instrucciones de instalación

No. de pièce / Pieza n.º 209-1289 rev. 03/10/20  
Profiles Framed Cabinet / Profiles Framed Gabinete

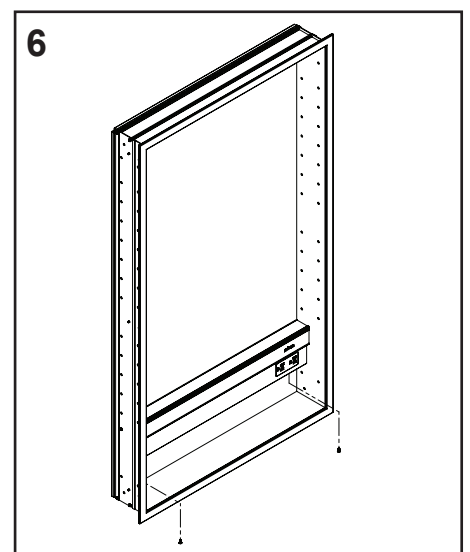
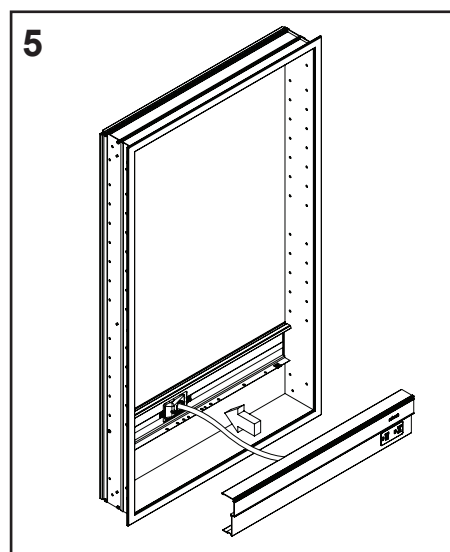
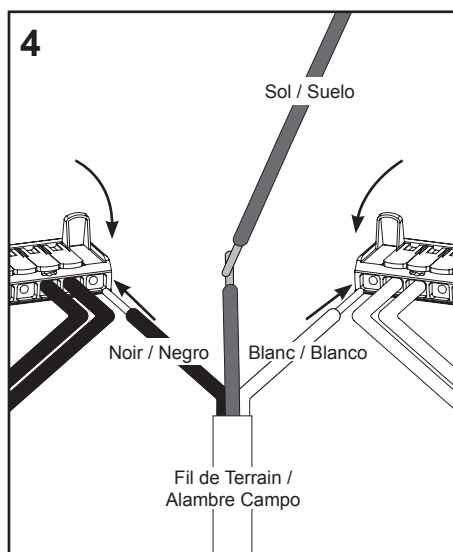
## OPTION 2 RACCORDEMENTS ÉLECTRIQUES

1. Retirez les vis d'accès au bas de l'étagère de sortie. Soulever et retirer la tablette de sortie pour accéder aux connexions électriques.
2. Couper soigneusement la cravate en plastique avant d'effectuer les connexions.
3. Alimentez le fil électrique à travers le trou d'accès à l'arrière de l'armoire.



4. Effectuez les connexions. Neutre à blanc ou nervuré. Ligne noire ou lisse. Terrain à vert.
5. Engager le haut de l'étagère électrique dans le chemin de roulement arrière et tourner vers le bas pour fermer, en vous assurant de ne pas serrer ou pincer les fils et les connexions.
6. Remplacez les deux vis d'accès sur la tablette de sortie.

4. Hacer conexiones. Neutral a blanco o acanalado. Línea negra o lisa. De tierra a verde.
5. Enganche la parte superior del estante eléctrico en el conducto posterior y gírelo hacia abajo para cerrar, asegurándose de no enganchar o pellizcar cables y conexiones.
6. Vuelva a colocar los dos tornillos de acceso en el estante de salida.



robern

© 2020 Robern, Inc. 701 N. Wilson Ave. Bristol, PA 19007 U.S.A.  
800.877.2376 [www.robern.com](http://www.robern.com)

Instructions d'installation / Instrucciones de instalación

No. de pièce / Pieza n.º 209-1289 rev. 03/10/20  
Profiles Framed Cabinet / Profiles Framed Gabinete

## MONTAGE ENCASTRÉ

Ces instructions sont pour évidement de montage de votre armoire. Retirez la porte du magasin avec pochette cartonnée avant l'installation.

1. Assurez ouverture brute et le cadre de tous les côtés. Trouvez les dimensions du modèle spécifiques pour rendre l'ouverture brute (page 5).

Assurez-vous que la porte de l'armoire est au moins 1" (25 mm) de dégagement vers le haut du robinet et au moins 1" du plafond.

2. Câblage électrique: Tirez le fil électrique à travers le trou. Assurez-vous de fournir suffisamment de fil pour établir des connexions correctes et sécuritaires avec la tablette de sortie. Voir page 7 pour les instructions de branchement électrique. Voir page 8 pour connaître les options de raccordement électrique.

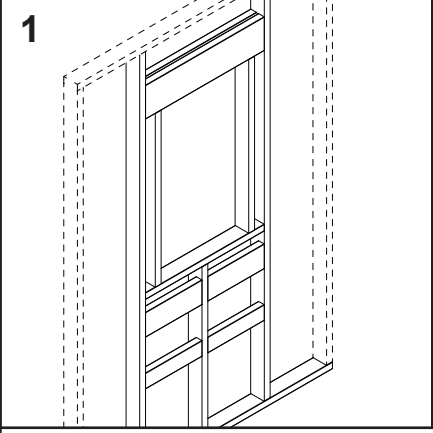
## MONTAJE EMPOTRADO

Estas instrucciones son para el montaje de su gabinete de recreo. Retire y puerta de la tienda con funda de cartón antes de la instalación.

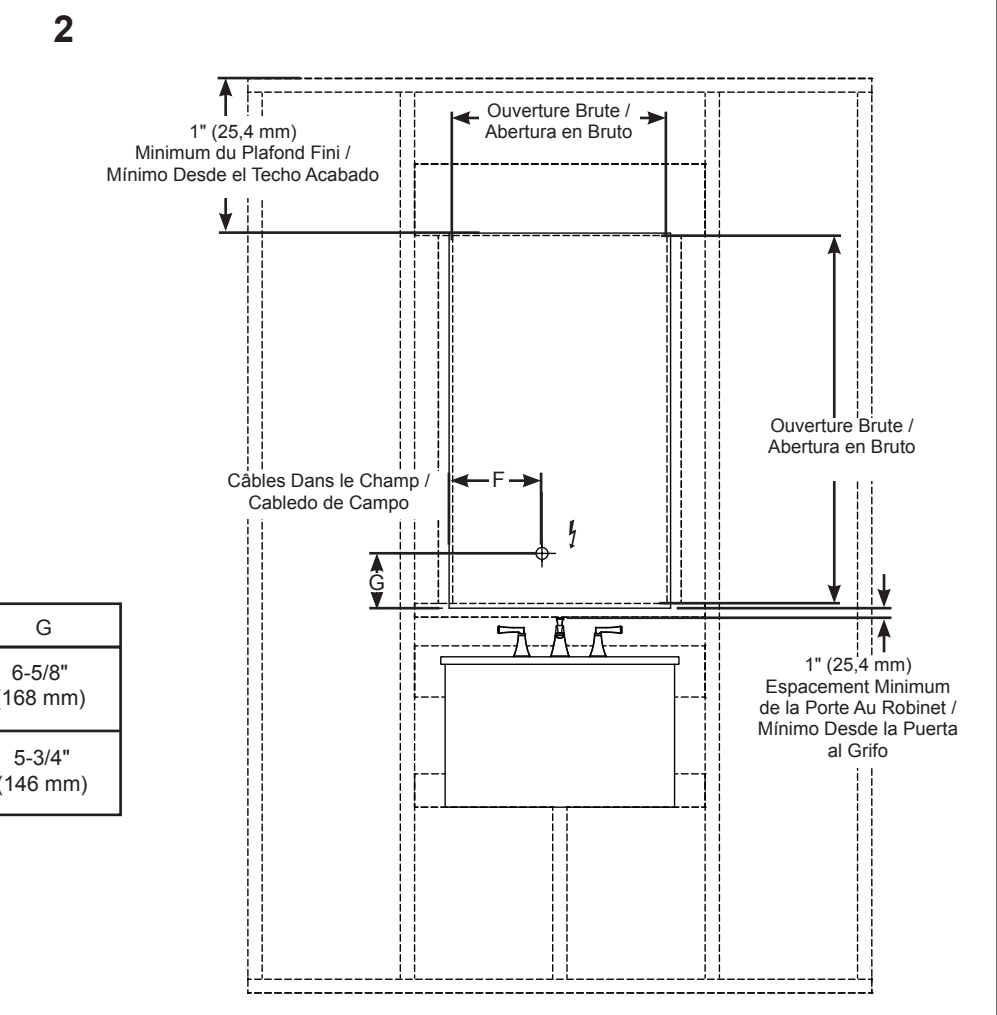
1. Haga abertura y el marco en todos los lados. Encuentre las dimensiones de un determinado modelo de hacer abertura (página 5).

Asegúrese de que la puerta del gabinete es de al menos 1" (25 mm) de espacio libre en la parte superior de la llave y por lo menos 1" en el techo.

2. Cableado del campo eléctrico: Tire el cable eléctrico a través del orificio. Asegúrese de proporcionar suficiente cable para hacer conexiones adecuadas y seguras a la repisa del tomacorriente. Vea la página 7 para las instrucciones de conexión eléctrica. Consulte la página 8 para conocer las opciones de conexión eléctrica.



**1**



**2**

	F	G
12" Cabinet	4-5/16"	6-5/8"
16" Cabinet	(110 mm)	(168 mm)
20" Cabinet	9-3/4"	5-3/4"
24" Cabinet	(248 mm)	(146 mm)

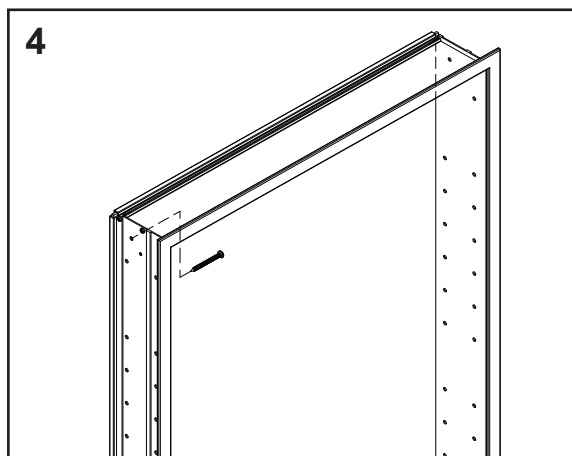
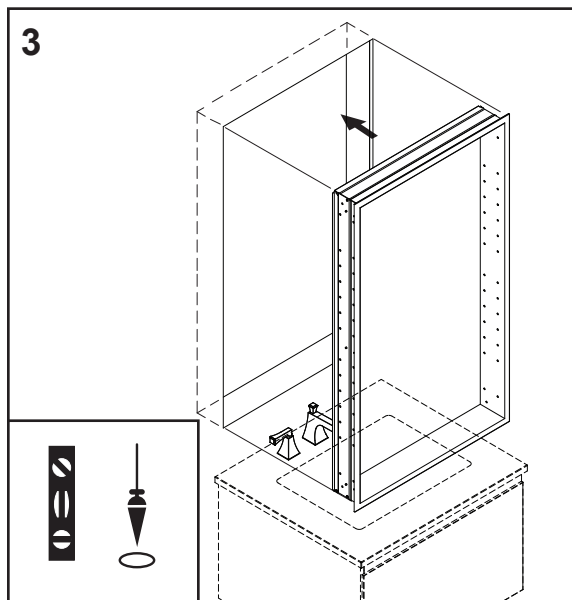
## MONTAGE ENCASTRÉ

3. Placez cabinet rugueuse dans et assurez-vous que l'armoire est d'aplomb et de niveau.

4. Installez une vis #10 X 2" (51 mm) dans les colombages tel qu'illustré. Ne pas serrer trop les vis.

5. Une fois que l'armoire est d'aplombs et à niveau, installez les vis #10 X 2" (51 mm) restantes dans les colombages.

Voir la page 16 pour l'assemblage final.



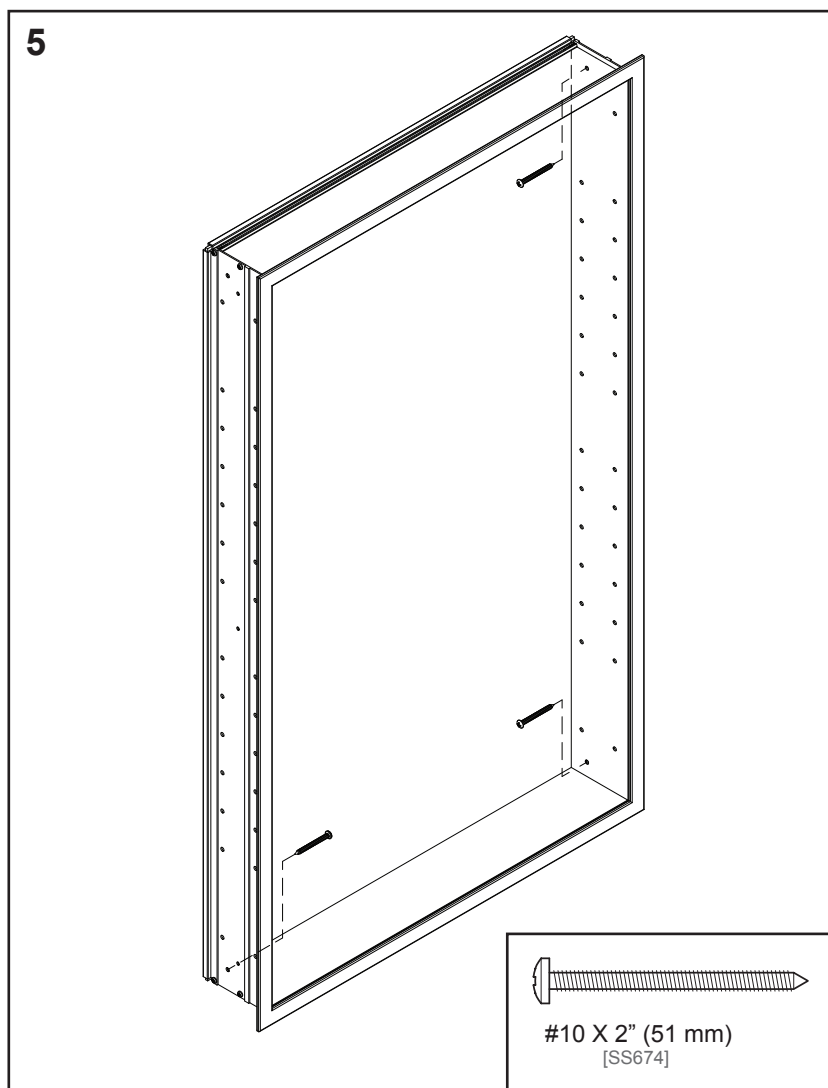
## MONTAJE EMPOTRADO

3. Coloque el gabinete en la abertura rústica y asegúrese que el gabinete esté aplomado y nivelado.

4. Instale un tornillo #10 X 2" (51 mm) en la saliente de pared como se muestra. No ajuste el tornillo en exceso.

5. Una vez que el gabinete esté aplomado y nivelado, instale los tornillos #10 X 2" (51 mm) restantes en la saliente de pared.

Consulte la página 16 para ensamblado final.



## MONTAGE EN SURFACE

Toutes les pièces nécessaires pour le montage de surface sont inclus dans le Kit de option (voir page 4). Ces instructions sont pour montage en surface. Retirer et la porte du magasin avec pochette cartonnée avant l'installation.

1. Il est fortement recommandé que le mur soit encadré derrière les plaques de plâtre ou des carreaux.
2. Câblage électrique: alimentation électrique par emplacement est indiqué ci-dessous. Voir page 5 pour l'emplacement. Voir page 7 pour le raccordement électrique.

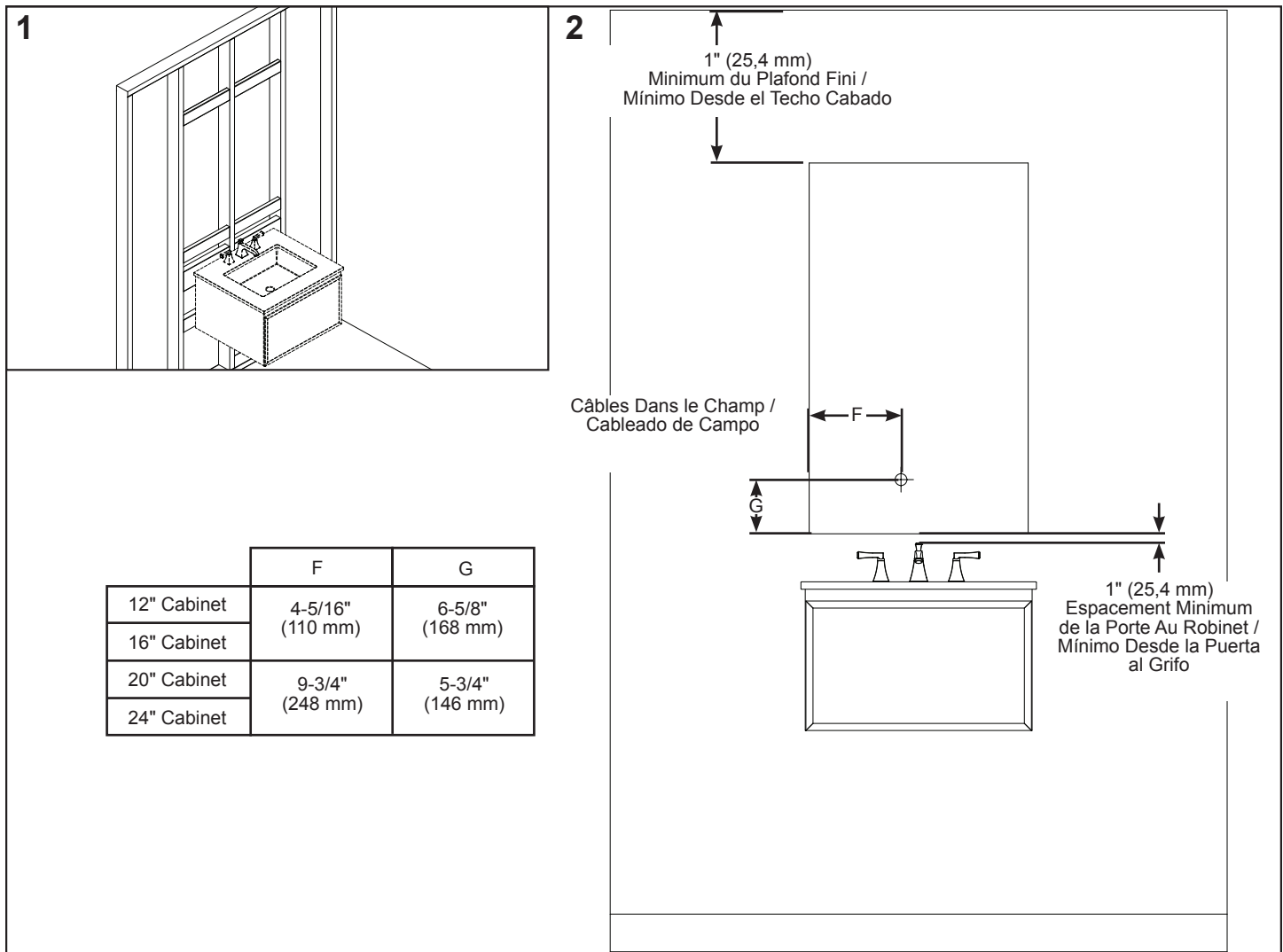
Assurez-vous armoire est d'au moins 1" (25,4 mm) de dégagement vers le haut du robinet et au moins 1" du plafond.

## MONTAJE EN SUPERICIE

Todas las piezas necesarias para el montaje en superficie se incluyen en el Kit de opcional (ver página 4). Estas instrucciones son para montaje en superficie. Retire y puerta de la tienda con funda de cartón antes de la instalación.

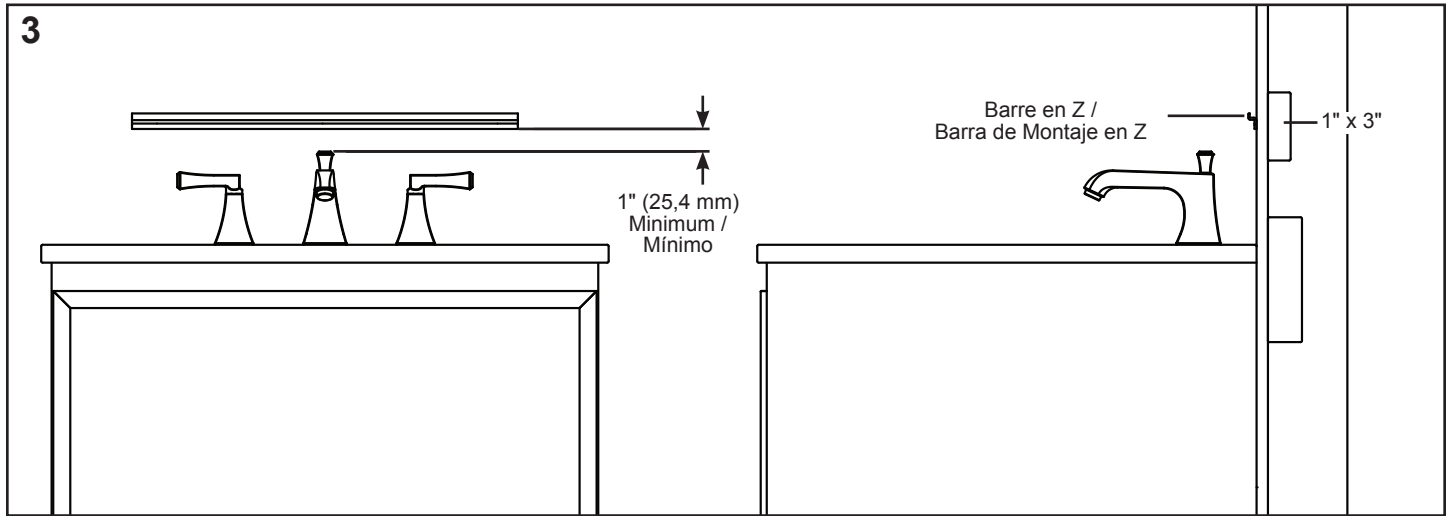
1. It es muy recomendable que la pared se enmarca detrás de los paneles de yeso o baldosa.
2. Cableado de campo eléctrico: alimentación eléctrica a través de ubicación se indica a continuación. Vea la página 5 para la localización. Consulte la página 7 para la conexión eléctrica.

Asegúrese de gabinete es de al menos 1" (25,4 mm) de espacio libre en la parte superior de la llave y por lo menos 1" en el techo.



## MONTAGE EN SURFACE

3. Centre bar Z à l'emplacement de l'armoire. Assurez-bar Z est au moins 1" (25 mm) au-dessus de installations.

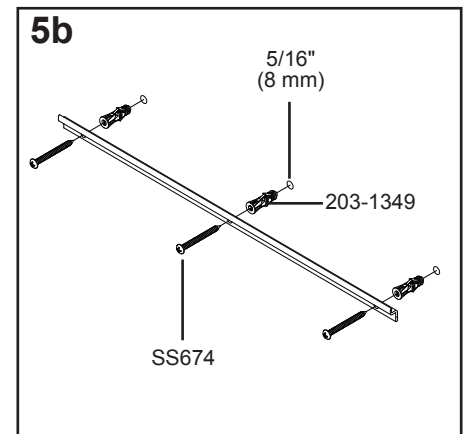
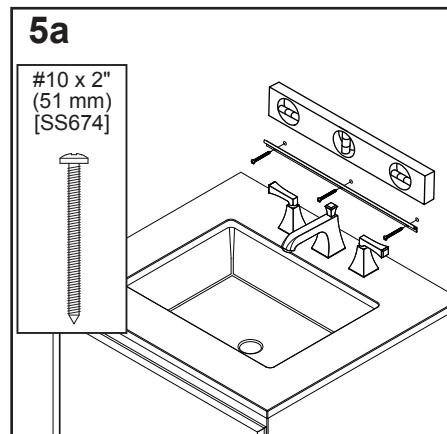
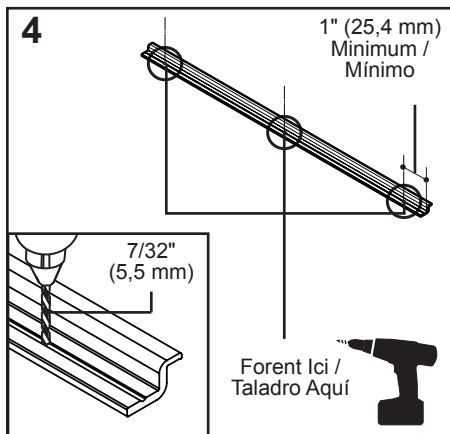


4. Repérez et percez trois 7/32" (5,5 mm) des trous à travers la ligne de tiret sur la barre de montage. Assurez-vous que la barre de montage est de niveau. Assurez-vous que la barre de montage Z est centrée.

5a. Utilisez trois # 10 x 2" (51 mm) vis fournies pour fixer la barre bande de montage Z au mur.

5b. Si aucune bande de fourrure ou montant n'est disponible, utilisez les ancrages en plastique fournis, en vous assurant que chaque armoire est soutenue par au moins 3 ancrages. Percez un trou de 8 mm (5/16 po) pour les chevilles et insérez la cheville dans le trou jusqu'à ce que la bride de la cheville soit au ras du mur.

5c. Utilisez la vis #10 et serrez la vis jusqu'à ce qu'il y ait une forte résistance. NE PAS TROP SERRER.



## MONTAJE EN SUPERICIE

3. Centro de barra Z en la posición del gabinete. Asegúrese de Z bar es de al menos 1" (25 mm) por encima de los accesorios.

4. Marque y perforo tres de 7/32" (5,5 mm) agujeros a través de la línea de sangría en la barra de montaje. Asegúrese de que la barra de montaje está nivelado. Asegúrese de que la barra de montaje Z está centrado.

5a. Utilice tres #10 X 2" (51 mm) tornillos para fijar la tira de montaje bar Z a la pared.

5b. Si no hay disponible una tira o espárrago, utilice los anclajes de plástico suministrados, asegurándose de que cada gabinete esté sostenido por al menos 3 anclajes. Taladre un orificio de 5/16" (8 mm) para los anclajes de pared e inserte el anclaje de pared en el orificio hasta que la brida del anclaje quede al ras con la pared.

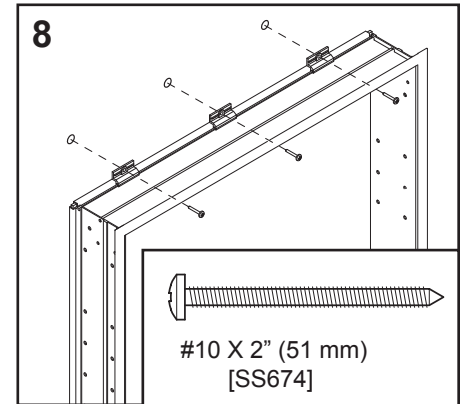
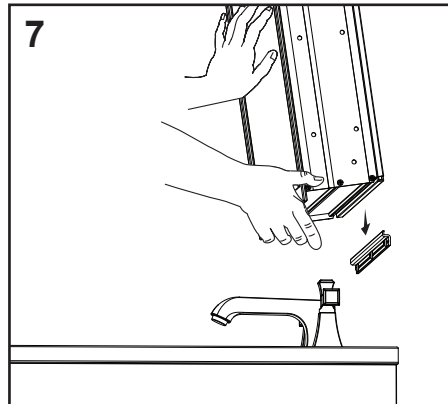
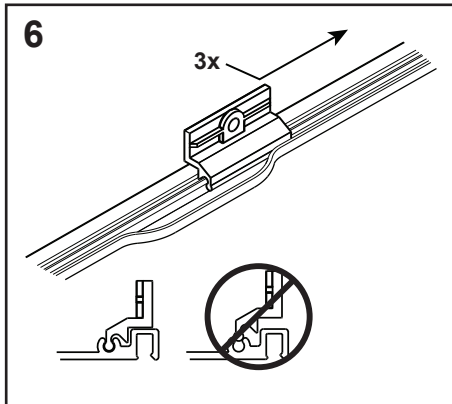
5c. Use el tornillo #10 y apriete el tornillo hasta que haya una resistencia fuerte. NO LO APRIETE EN MAYOR.

## MONTAGE EN SURFACE

6. Faites glisser les trois clips de "Z" dans le canal de la vis dans la partie supérieure de l'armoire, assurez-vous que les clips de "Z" verrouillent dans les rainures.

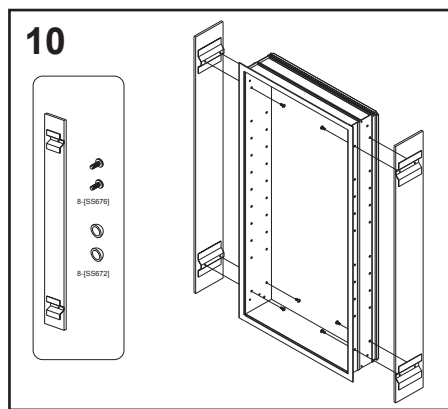
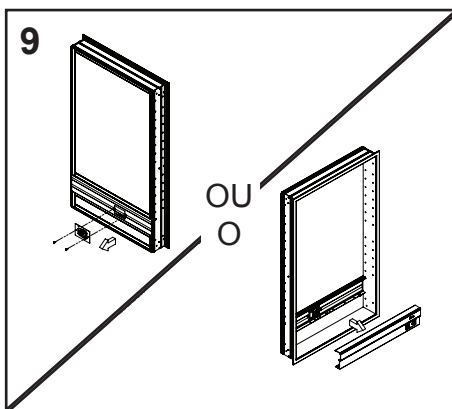
7. Soulever l'armoire et placez l'armoire sur la barre de montage Z.

8. En utilisant les vis #10 x 2" (51 mm) fournies, fixez le haut de l'armoire au mur à travers les meilleurs clips comme indiqué. Si aucun montant n'est disponible, utilisez les ancrages muraux comme décrit à l'étape 5b.



9. Électrique: Voir page 7 pour les instructions de branchement électrique. Voir page 8 pour connaître les options de raccordement électrique.

10. Fixez Kit latérale en option (vendu séparément) pour armoire à l'aide des vis fournies à partir de la boîte de meuble intérieur en Kit Side. Testez l'accès de l'armoire avant de terminer l'installation. Boucher les vis avec les bouchons fournis. Aller aux page 16 pour l'assemblage final.



## MONTAJE EN SUPERICIE

6. Deslice los tres clips de "Z" en el canal del tornillo en la parte superior de la caja, asegúrese de que los clips de "Z" encajen en las ranuras.

7. Levante la caja y colocar el gabinete en la barra de montaje Z.

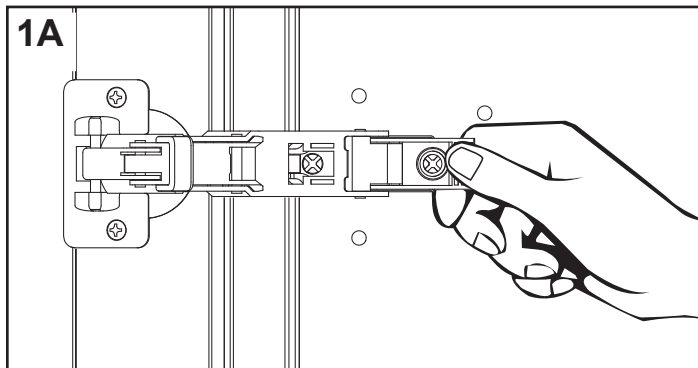
8. El uso de los #10 X 2" (51 mm) tornillos suministrados, fije la parte superior del armario a la pared a través de los mejores clips como se muestra. Si no hay ningún espárrago disponible, use anclajes de pared como se describe en el paso 5b.

9. Eléctrica: Vea la página 7 para las instrucciones de conexión eléctrica. Consulte la página 8 para conocer las opciones de conexión eléctrica.

10. Conecte Kit Side opcional (se vende por separado) al gabinete con los tornillos suministrados de caja del gabinete en el interior Kit Side. Pruebe el ajuste de la caja antes de completar la instalación. Tape los tornillos con los tapones de tuerca suministrados. Ir a la página 16 para el montaje final.

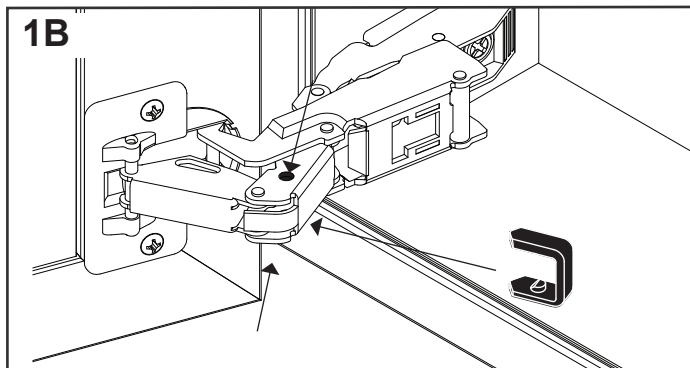
## ASSEMBLAGE FINAL

1A-B. Monter les portes en pinçant l'extrémité de la charnière comme indiqué sur l'image 1A. Si nécessaire, prendre une pince de charnière [de SS666] sur le coude des charnières pour arrêter rayon de rotation de porte à 110°.



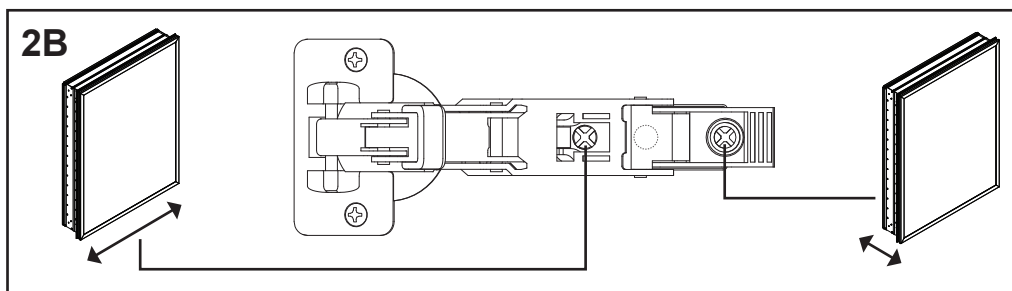
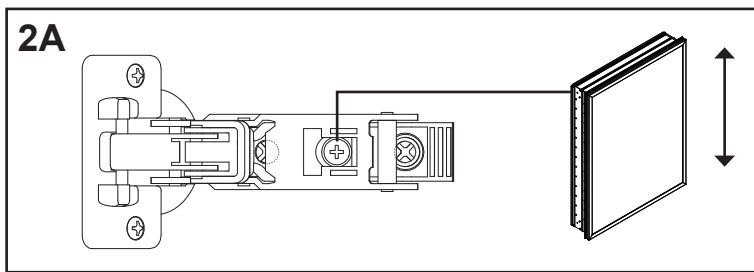
## ENSAMBLADO FINAL

1A-B. Montar las puertas presionando el extremo de la bisagra como se muestra en la imagen 1A. Si es necesario, ajustar una palanca de la bisagra [SS666] sobre el codo de las bisagras para detener radio de giro de la puerta a 110°.



2A-B. Les portes du cabinet ont une fonction de réglage à trois voies. La hauteur, le niveau côte à côte et la profondeur peuvent être réglés à l'aide d'un tournevis cruciforme #2. Avec la charnière légèrement fermée, vous pouvez accéder à la vis du milieu. Cette vis déplace le haut de la porte vers le haut et vers le bas (voir figure 5A). Avec la charnière entièrement prolongée, vous pouvez accéder aux vis avant et arrière. Ces vis déplacent le devant de votre porte d'un côté à l'autre et entrent et sortent (voir figure 2B).

2A-B. Las puertas del armario tienen una función de ajuste de tres vías. La altura, el nivel de lado a lado y la profundidad se pueden ajustar con un destornillador Phillips Head #2. Con la bisagra ligeramente cerrada, puede acceder al tornillo central. Este tornillo moverá su puerta hacia arriba y hacia abajo (vea la figura 5A). Con la bisagra totalmente extendida, puede acceder a los tornillos delantero y trasero. Estos tornillos moverán la puerta frontal de lado a lado y dentro y fuera (vea la figura 2B).



robern

© 2020 Robern, Inc. 701 N. Wilson Ave. Bristol, PA 19007 U.S.A.  
800.877.2376 [www.robern.com](http://www.robern.com)

Instructions d'installation / Instrucciones de instalación

No. de pièce / Pieza n.° 209-1289 rev. 03/10/20  
Profiles Framed Cabinet / Profiles Framed Gabinete

## ASSEMBLAGE FINAL

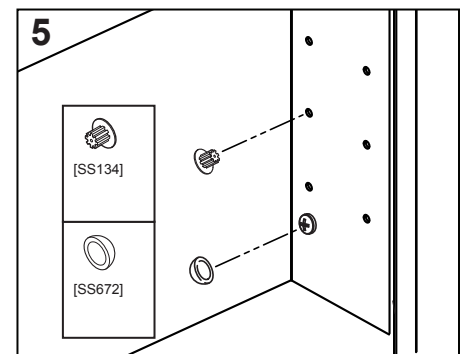
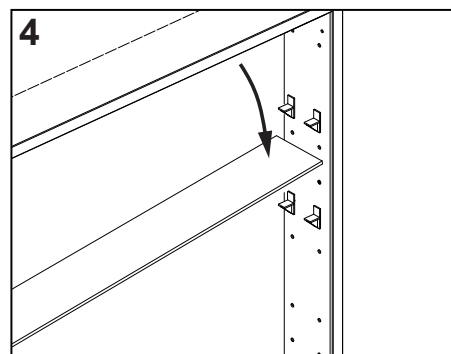
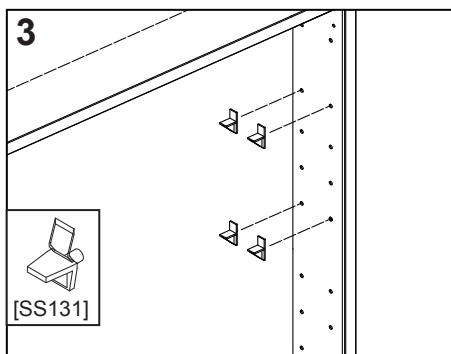
3. Insérez clair snap-in Clips étagère dans les trous sur les côtés de l'armoire.
4. Poussez un côté de la tablette dans le clip de gauche ou de droite. Enclencher le plateau vers le bas dans le côté opposé. Si le plateau est trop serré, répétez le processus à partir de l'autre côté.
5. Appuyez sur les bouchons des trous du plateau dans les trous non utilisés à l'intérieur du cabinet. Placer les chapeaux de tête de vis sur les têtes de vis apparentes.

**NOTE:** Ne pas stocker les objets dans la zone de l'armoire directement derrière la charnière, que des dommages peut se produire au Cabinet ou des articles.

## ENSAMBLADO FINAL

3. Inserte clara complemento Clips estante en los orificios de los lados de la caja.
4. Presione uno de los lados de la plataforma en el clip de la izquierda o la derecha. Ajustar la plataforma hacia abajo en el lado opuesto. Si la plataforma está demasiado apretado, repetir el proceso a partir del lado opuesto.
5. Presione los tapones de los orificios de estante en los orificios no utilizados en el interior del gabinete. Coloque las tapas de la cabeza del tornillo sobre las cabezas de los tornillos a la vista.

**NOTA:** No almacene artículos en el área del gabinete directamente detrás de la bisagra, ya que puede provocar daños al gabinete o artículos.



## GARANTIE

### Garantie limitée d'une durée d'un an

ROBERN garantit à l'acheteur d'origine qu'elle va, à son choix, réparer, remplacer ou faire les ajustements appropriés aux produits fabriqués par cette compagnie s'avérant avoir un vice significatif de matériau ou de main-d'oeuvre qui sera rapporté par écrit à ROBERN dans une période d'un (1) an de la date de livraison. ROBERN n'est pas responsable des coûts de l'installation. La garantie est annulée dans l'éventualité où le produit serait endommagé dans le transit, ou si la défaillance ou le dommage est causé par un abus, un mauvais usage, un usage anormal, une mauvaise installation, un dommage par un accident, un entretien inadéquat, ou pour toute réparation autre que celles autorisées par ROBERN. À l'expiration de la période de garantie d'un an, ROBERN n'aura plus aucune obligation sous quelque garantie, qu'elle soit expresse ou implicite, incluant la garantie implicite de qualité marchande. ROBERN n'est pas responsable pour tout dommage indirect survenant de ou en relation avec l'utilisation ou la performance de ses produits. Certains États ne permettent pas la limitation sur la période que dure une garantie implicite ou ne permettent pas la limitation de dommages indirects ou consécutifs, ainsi les limitations ci-dessus peuvent ne pas s'appliquer à vous. Toute responsabilité de ROBERN sous quelque garantie implicite, incluant une garantie de qualité marchande, est expressément limitée aux termes de cette garantie. La permission de retourner de la marchandise sous cette garantie doit être autorisée par ROBERN et la marchandise doit être retournée frais de poste prépayés par l'acheteur. Les réclamations sous cette garantie doivent être transmises directement à votre marchand.

© ROBERN, INC., 2020.  
TOUS DROITS RÉSERVÉS

## UTILISATION ET ENTRETIEN

**⚠️ AVERTISSEMENT:** TABLETTE POIDS MAX 15.4 KGS.

La porte et l'intérieur de l'armoire sont construits en verre miroir et en aluminium. Utilisez uniquement un chiffon humide pour nettoyer. Ammoniac ou vinaigre les nettoyeurs à base d'huile peuvent endommager les miroirs.

Une solution 50/50 d'eau et d'alcool isopropylique est recommandée pour nettoyer les miroirs. Un détergent doux peut être utilisé sur les surfaces. Lors du nettoyage, vaporisez le chiffon et non le boîtier, le miroir ou les surfaces environnantes.

N'utilisez pas de nettoyeurs abrasifs sur aucune partie du luminaire.

## GARANTÍA

### Garantía Limitada Término de Un Año

ROBERN garantiza al comprador original que, a opción de ROBERN, reparará, reemplazará o hará los ajustes necesarios a los productos fabricados por esta compañía que muestren que tienen defectos importantes en los materiales o en la mano de obra y que se informen a ROBERN por escrito dentro de un (1) año a partir de la fecha de entrega. ROBERN no es responsable de los costos de la instalación. La garantía está anulada si el producto se daña durante el transporte, o si el daño o la falla son causados por el abuso, el uso incorrecto, el uso anormal, una instalación deficiente, daños en un accidente, mantenimiento incorrecto, o reparaciones además de las aquellas autorizadas por ROBERN. Una vez expirado el periodo de garantía de un año, ROBERN no estará bajo ninguna obligación adicional bajo ninguna garantía, expresa ni implícita, incluyendo la garantía implícita de comercialización. ROBERN no será responsable de ningún daño consecuente que surja de o en conexión con el uso o el rendimiento de sus productos. Algunos estados no permiten limitaciones con respecto a la duración de una garantía implícita o no permiten la exclusión ni la limitación de daños incidentales o consecuentes, de manera que es posible que la limitación o exclusión de más arriba no se aplique a usted. Cualquier responsabilidad contra ROBERN bajo cualquier garantía implícita, incluyendo la garantía de comercialización, está expresamente limitada a los términos de esta garantía. La autorización para retornar cualquier mercadería bajo esta garantía debe ser aprobada por ROBERN y el retorno debe ser prepagado por el comprador. Los reclamos sobre esta garantía se deberán enviar directamente a su distribuidor.

© 2020 ROBERN, INC.  
TODOS LOS DERECHOS RESERVADOS

## USO Y MANTENIMIENTO

**⚠️ PRECAUCIÓN:** Carga máxima en el estante 15.4 KGS.

La puerta del gabinete y el interior están contruidos con vidrio espejado y aluminio. Use solo un paño húmedo para limpiar. Amoniaco o Vinagre los limpiadores a base pueden dañar los espejos.

Se recomienda una solución 50/50 de agua y alcohol isopropílico para limpiar los espejos. Se puede usar un detergente suave en las superficies. Al limpiar, rocíe el paño, no el gabinete, el espejo o las superficies circundantes.

No use limpiadores abrasivos en ninguna parte de la lámpara.