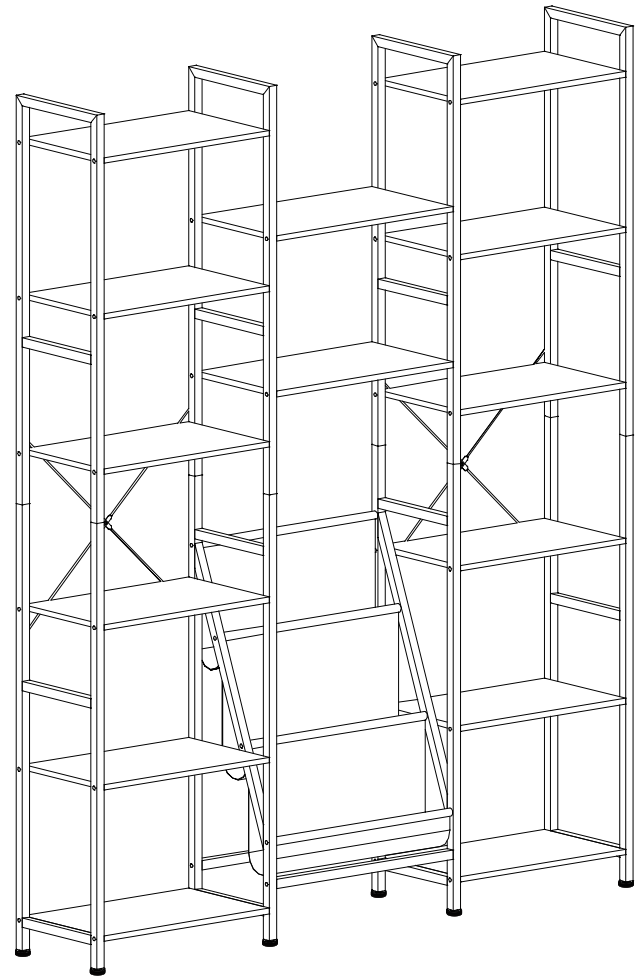


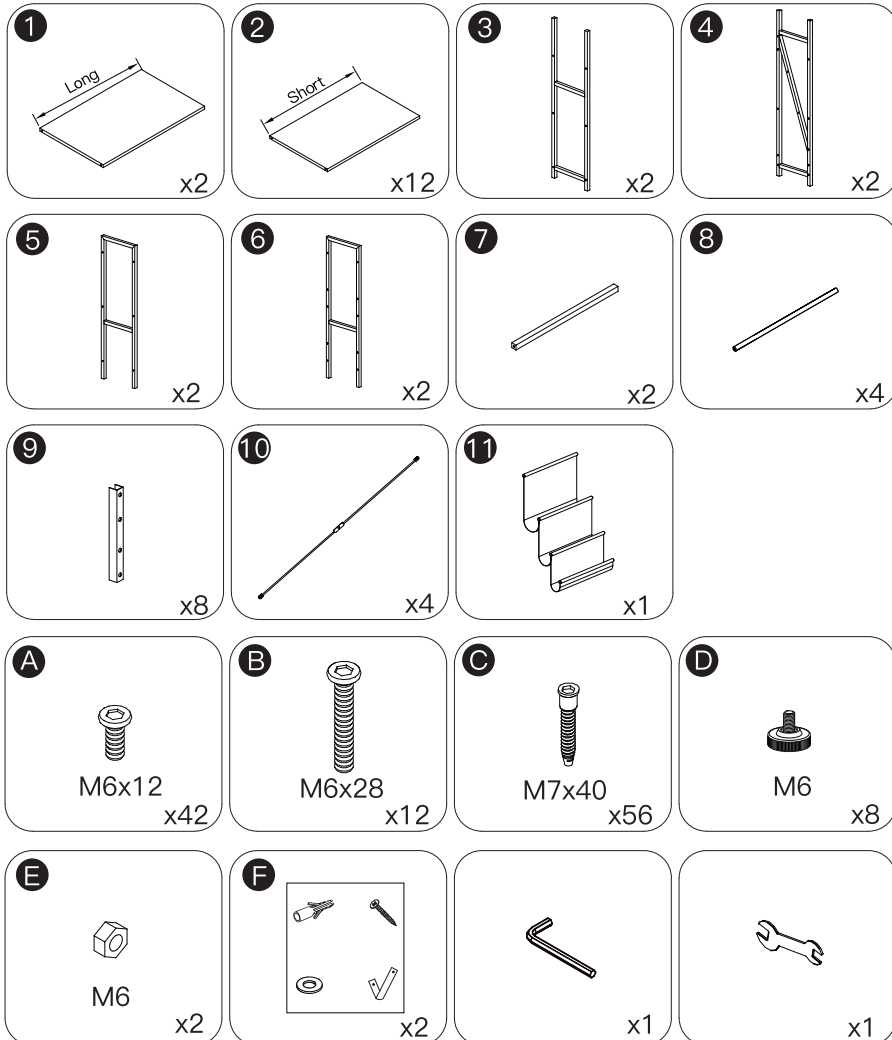
ASSEMBLY INSTRUCTION



Please check all parts and accessories according to the parts list before assembling, make sure all contents are sufficient and in good condition.

If there is any parts missing or defective, please contact us immediately with purchase platform message to get replacement parts.

PARTS:



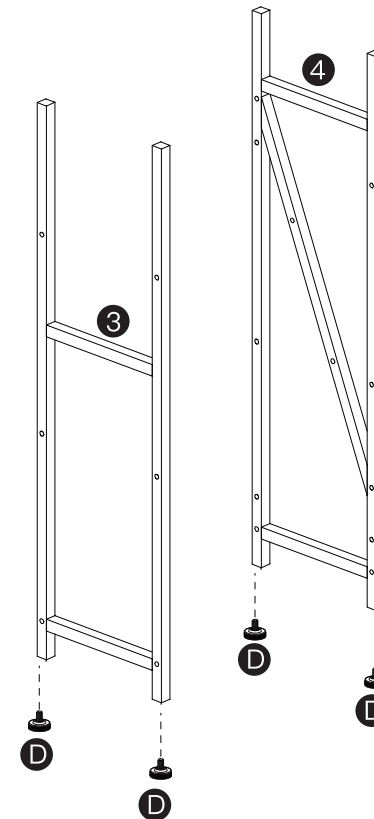
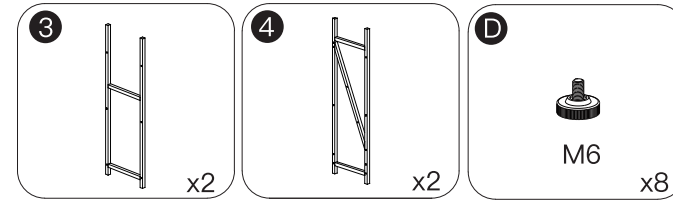
HOW TO INSTALL



NOTICE

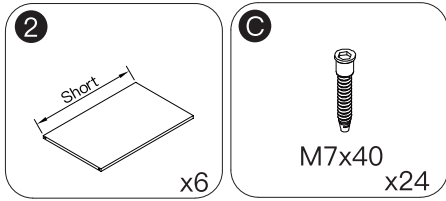
Attention: For easier installation, we recommend two or more people to install it together.

STEP 1



x2

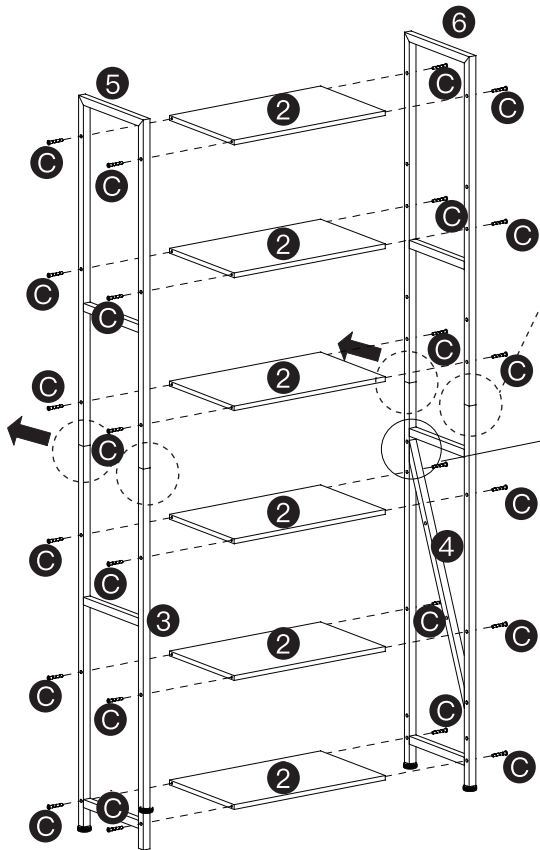
STEP 4



NOTICE:

(1) For your safety, we recommend installing it together with two or more people.

(2) Please ensure that the side with installed screws is facing backward.

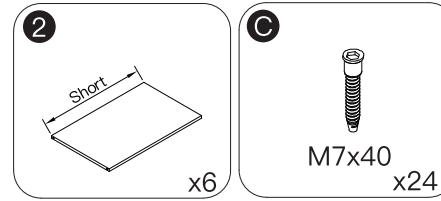


(3) Please do not tighten the screws until all the layers are installed.

x1

BACK
FRONT

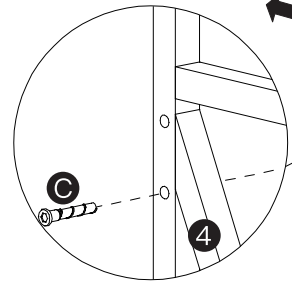
STEP 5



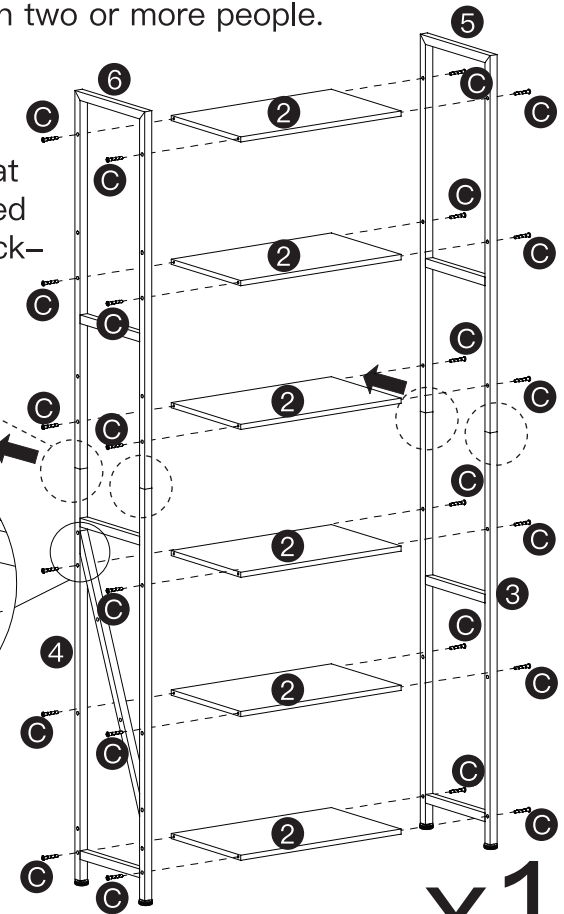
NOTICE:

(1) For your safety, we recommend installing it together with two or more people.

(2) Please ensure that the side with installed screws is facing backward.



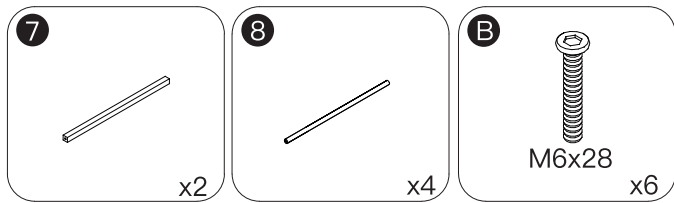
(3) Please do not tighten the screws until all the layers are installed.



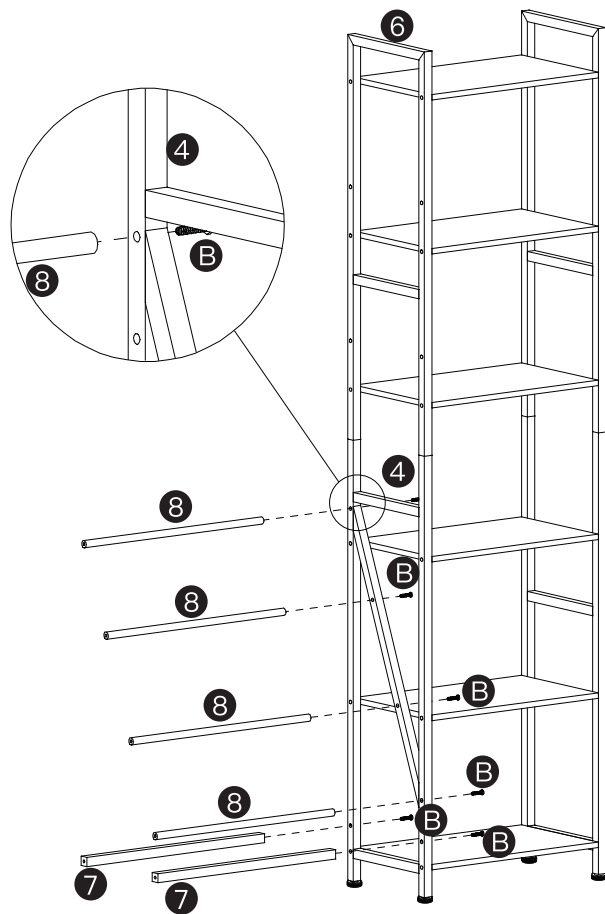
x1

BACK
FRONT

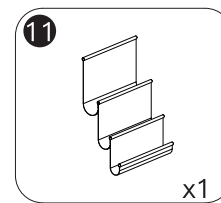
STEP 6



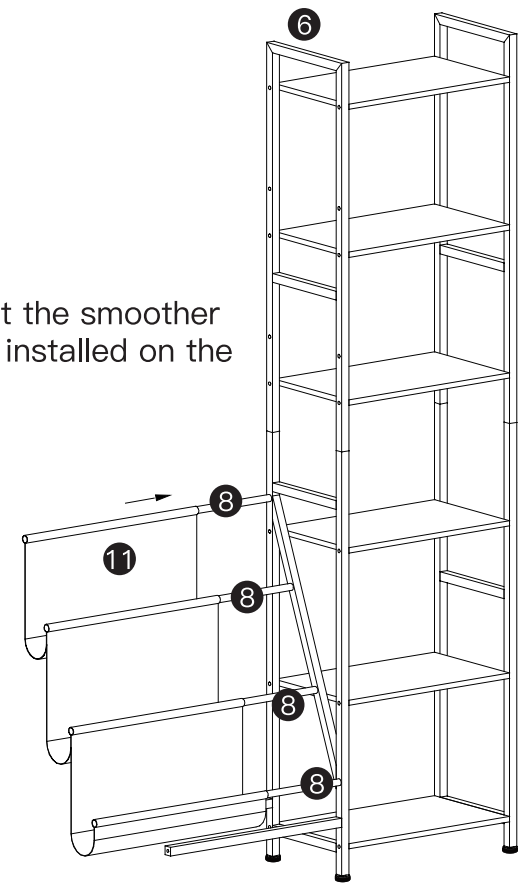
BACK
FRONT



STEP 7

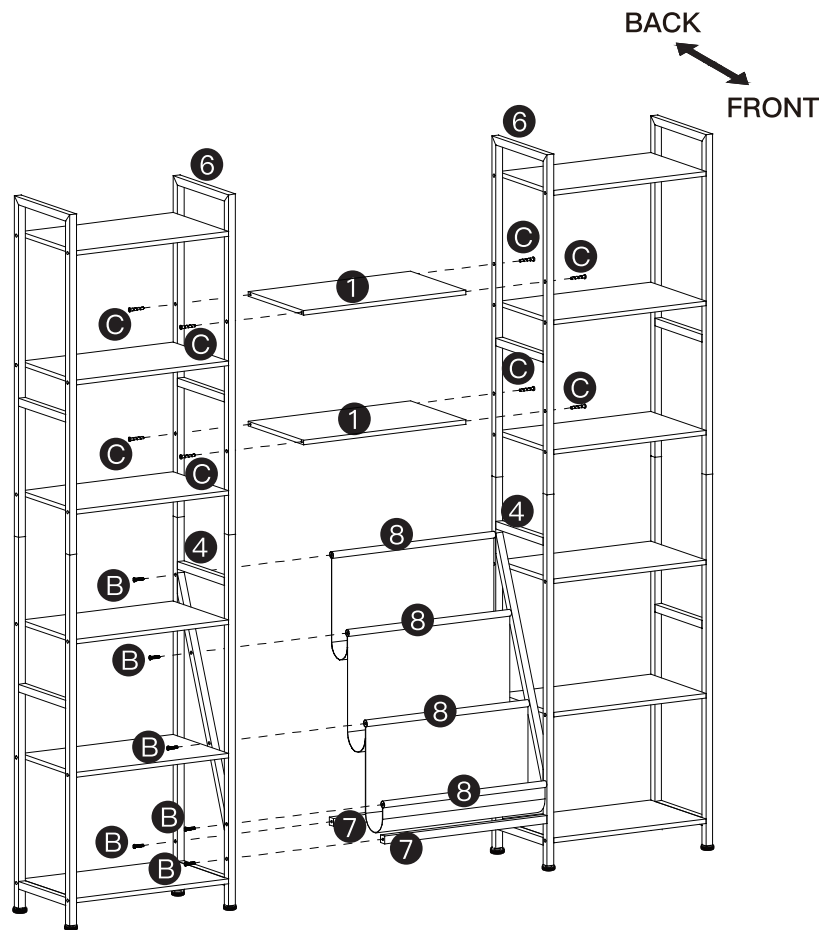
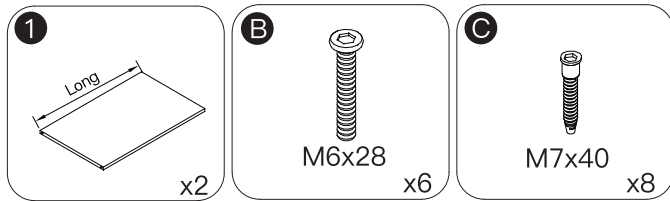


BACK
FRONT

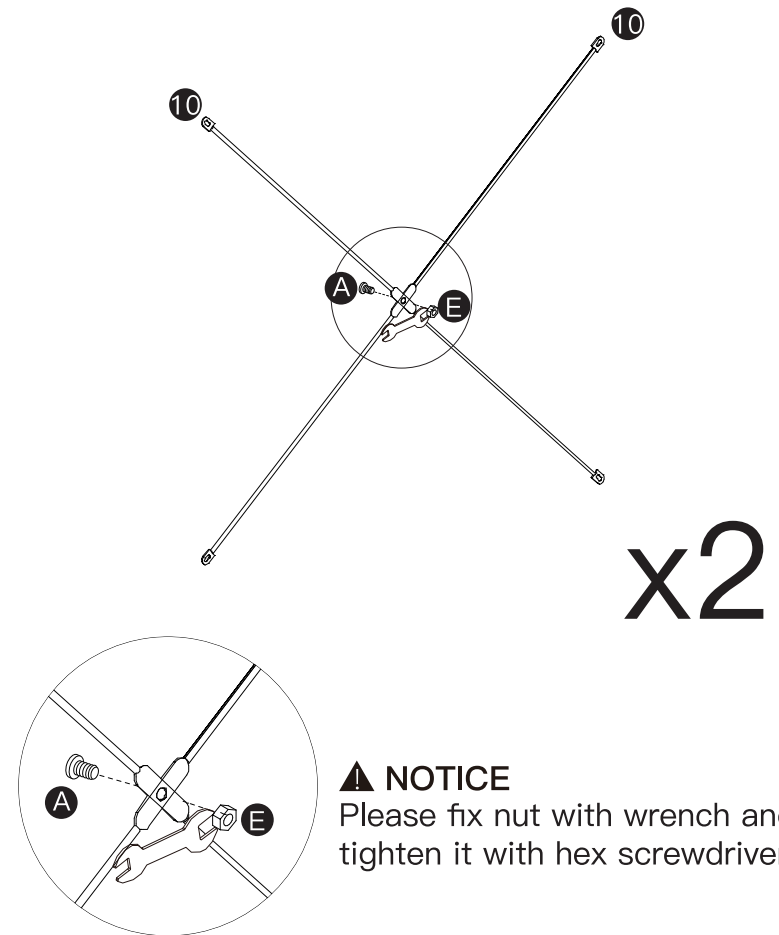
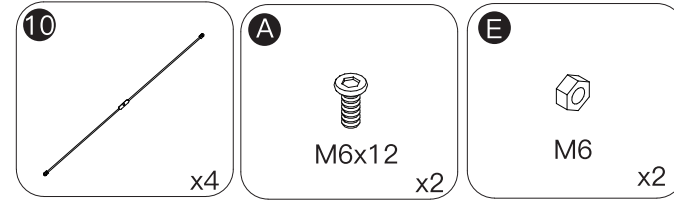


NOTICE:
Please ensure that the smoother side of part 11 is installed on the back side.

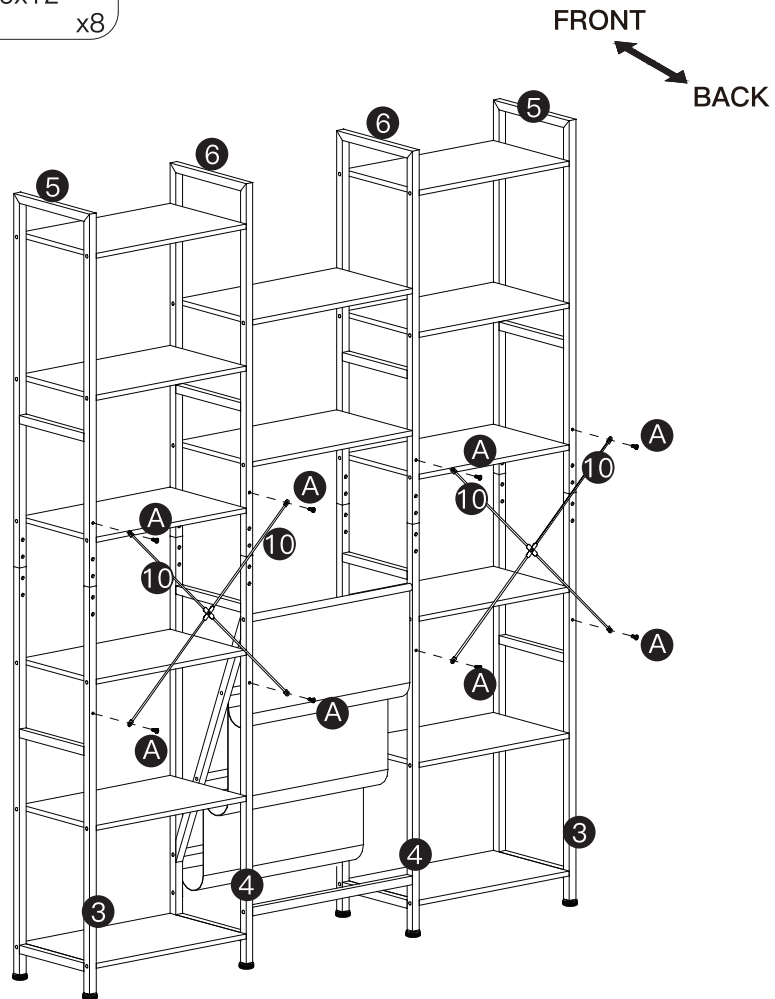
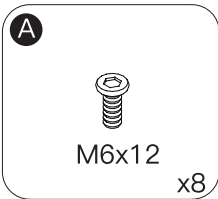
STEP 8



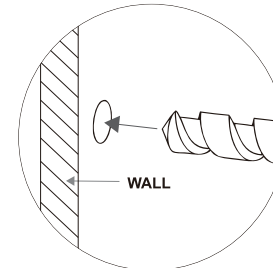
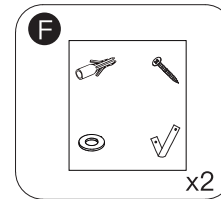
STEP 9



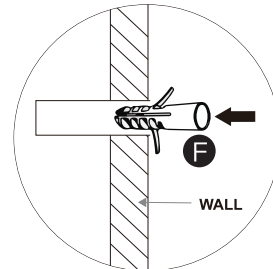
STEP 10



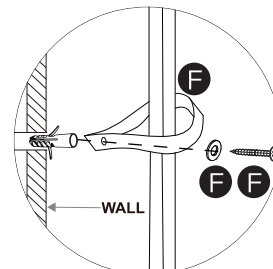
STEP 11



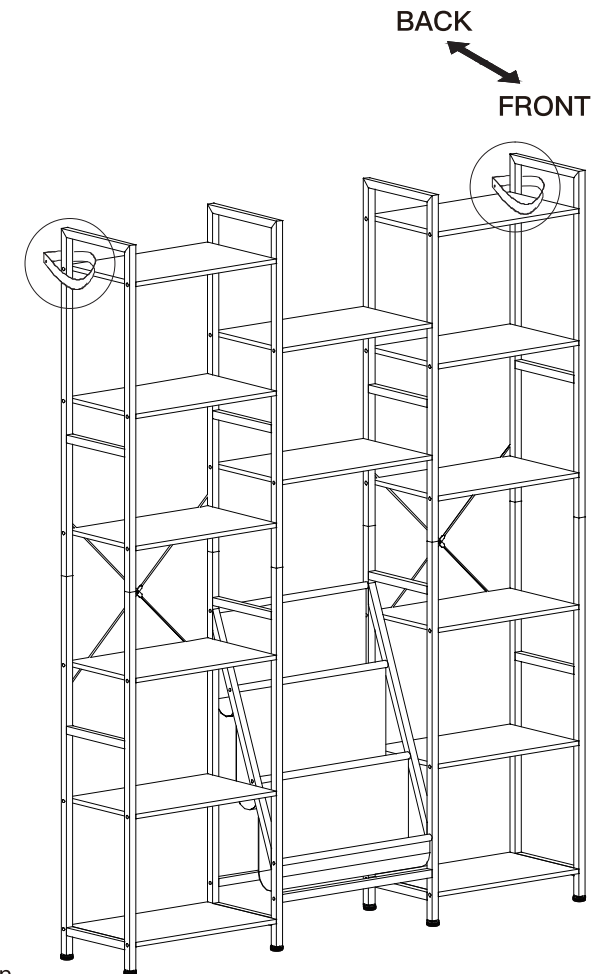
(1) Drill holes at marked location.



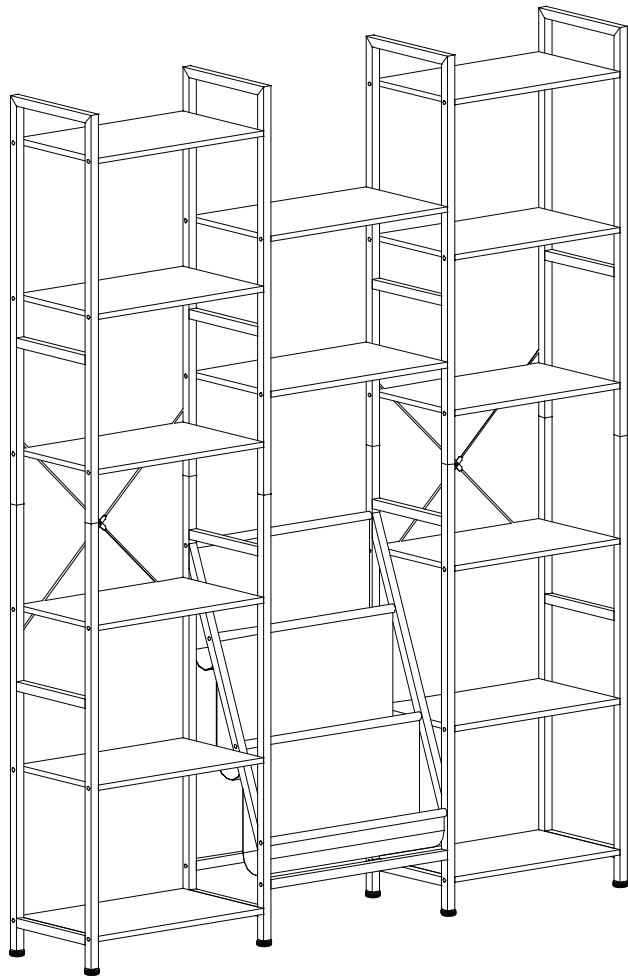
(2) Press the protective bolts in the wall.



(3) Fix the safety lock on the wall with bolts & part **F**.



STEP 12



AFTERSALE SERVICE

Dear customer,

We are pleased that you have chosen our product as part of your home. We care deeply about your experience and hope that you receive all the help you need.

We sincerely hope this product meets your expectations and hope that you will consider us again in your future needs.

The packaging may exceed our control during transportation. If there are any issues with the box or contents, please contact us directly. We will provide you with high-quality after-sales service. Please kindly wait for the response from our team.

Thank you once again for choosing us. Let's create wonderful memories and comfortable spaces together!

Kind regards,
Customer Care Team