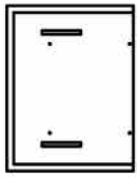


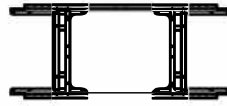
# ASSEMBLY INSTRUCTION



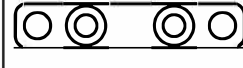
A × 2pcs



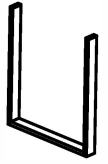
B × 1pc



C × 1pc



D × 4pcs



E × 2pcs



+Spare×2



F × 10pcs  
M8×16mm

+Spare×2



G × 10pcs  
M8×16mm

+Spare×2

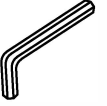


H × 10pcs  
M8×16mm

+Spare×2

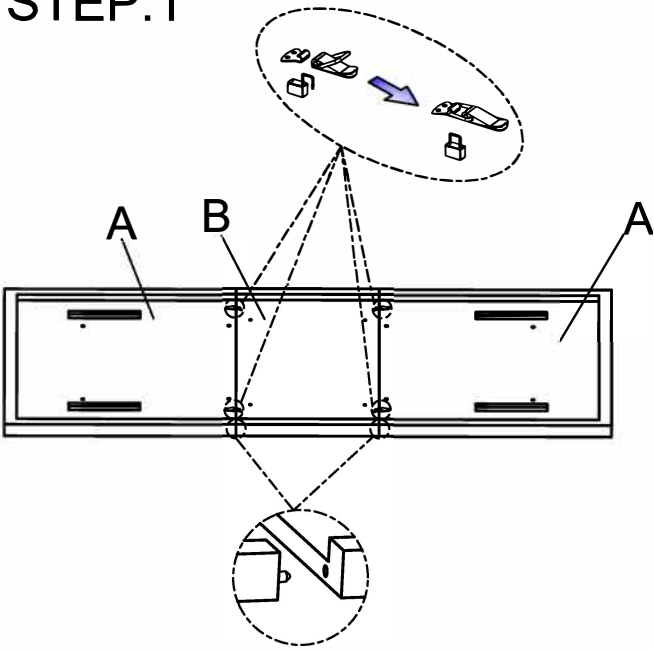


I × 10pcs  
ø8/ø16×2mm

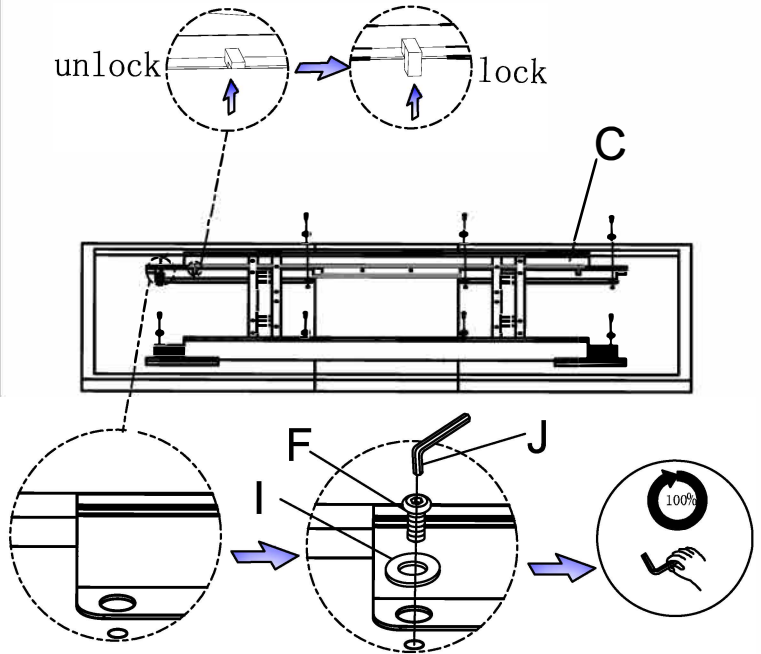


J × 1pc  
#5

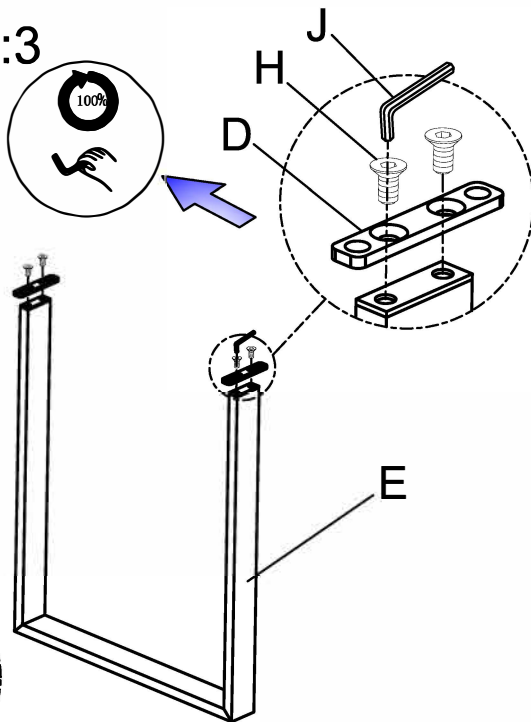
## STEP:1



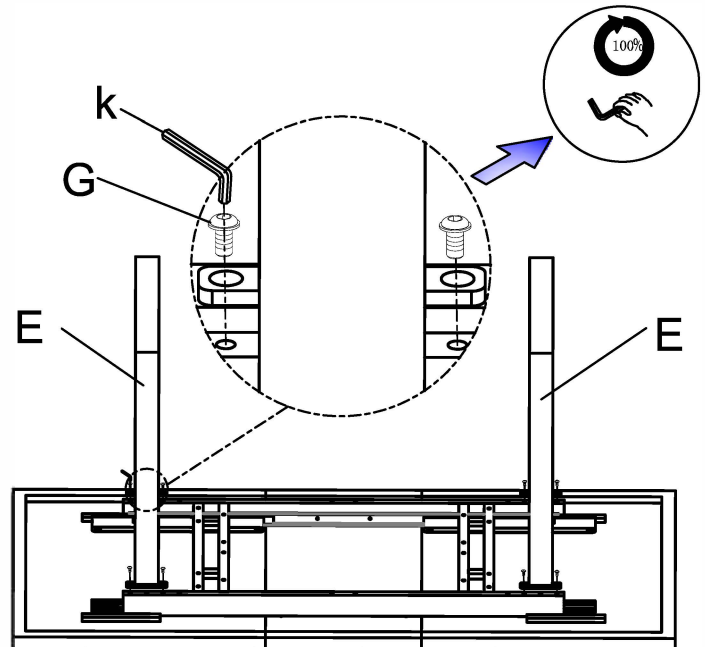
## STEP:2



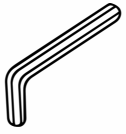
## STEP:3



## STEP:4

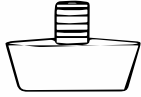


# ASSEMBLY INSTRUCTION



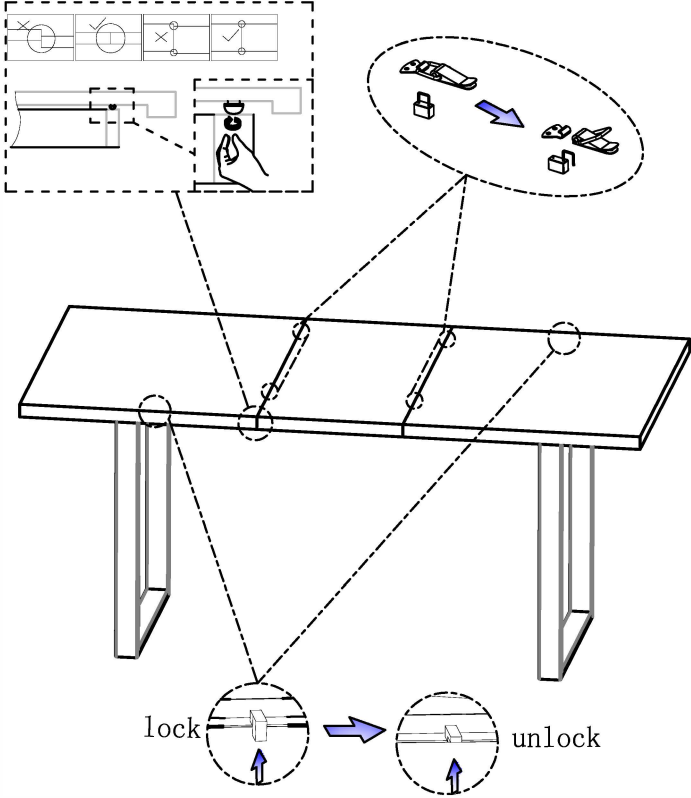
Kx1pc  
#6

+Sparex1

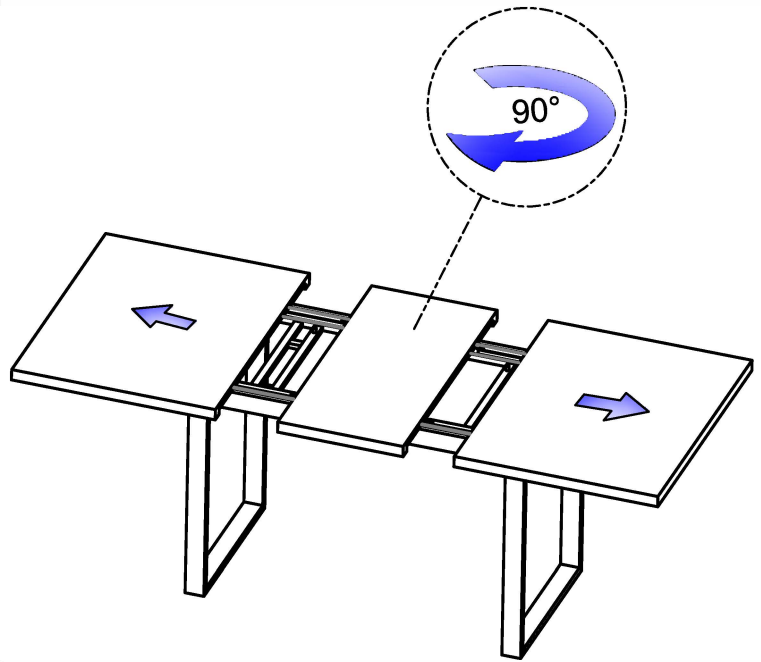


Lx1pc

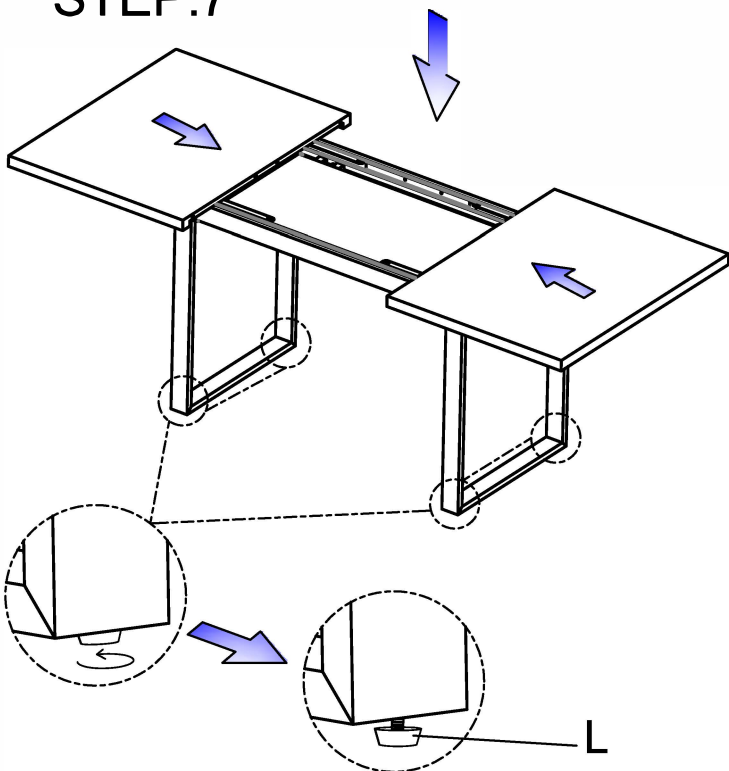
## STEP:5



## STEP:6



## STEP:7



## STEP:8

