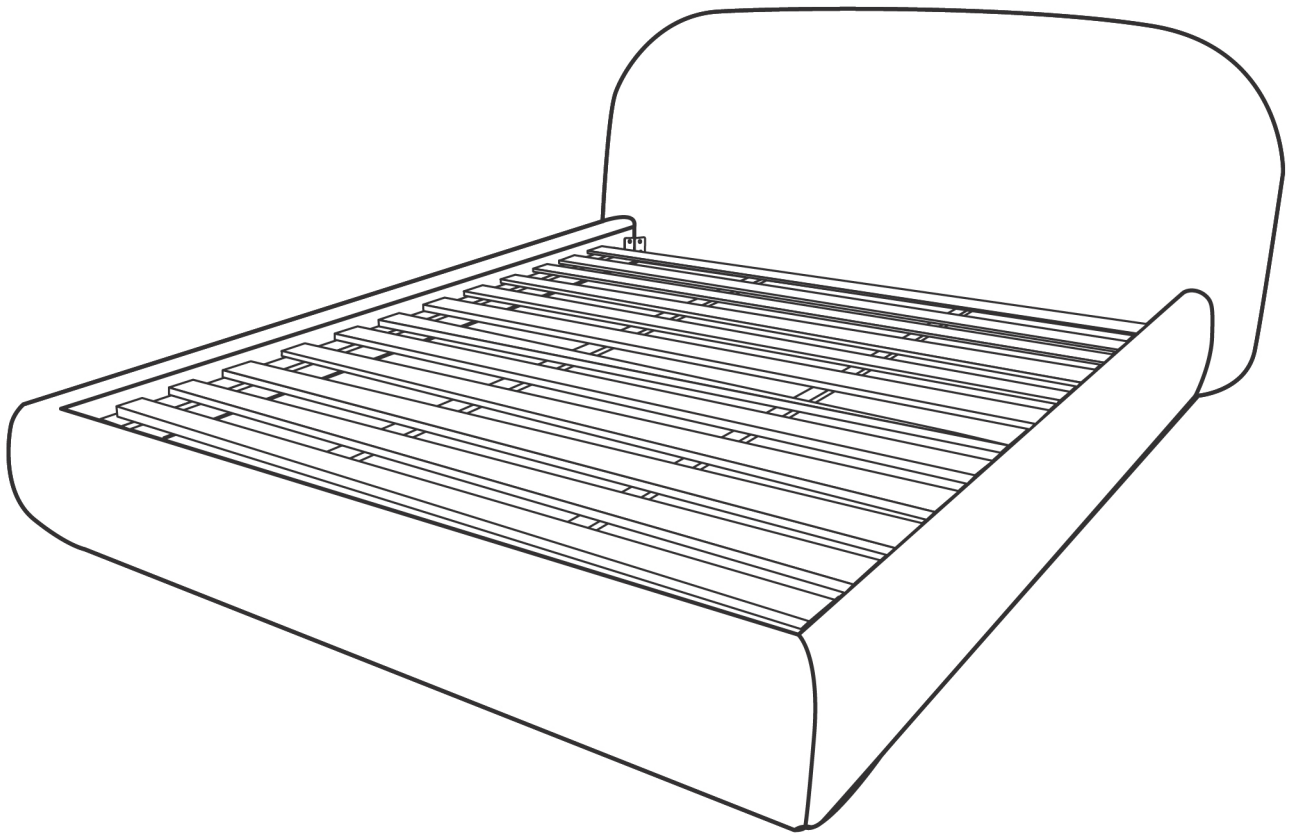


Assembly Instructions

King Size Bed



Assembly Instructions

ASSEMBLY REQUIREMENT

2 PERSON ASSEMBLY | 30 MINUTES ASSEMBLY TIME (APPROXIMATE)

TOOLS REQUIRED: ALLEN WRENCH (PROVIDED)

OPTIONAL: POWER DRILL (NOT PROVIDED)

ASSEMBLY PREPARATION

1. Remove all packaging materials, staples and packing straps from the carton.
2. Refer to Parts Checklist and ensure they are complete before you start assembling.
3. Place all components on a clean, flat and soft surface (e.g. carpet or rug) to prevent parts from getting scratched.

TIPS FOR ASSEMBLY

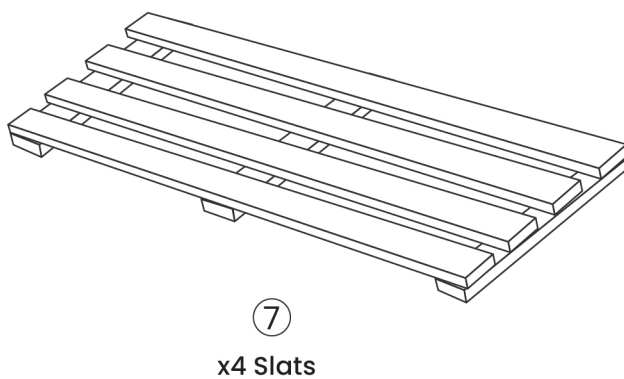
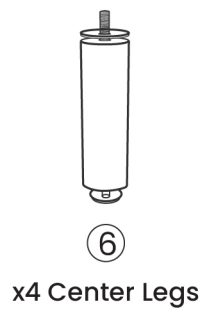
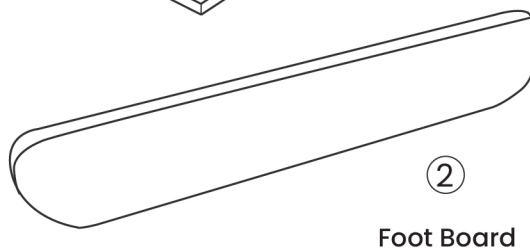
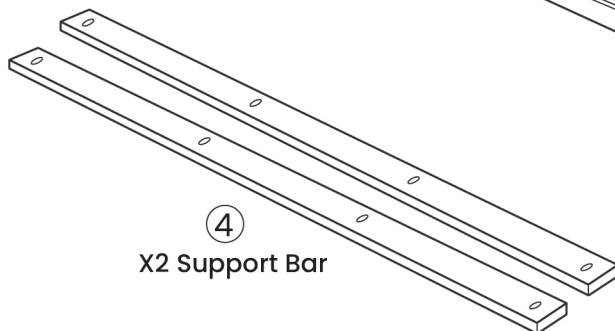
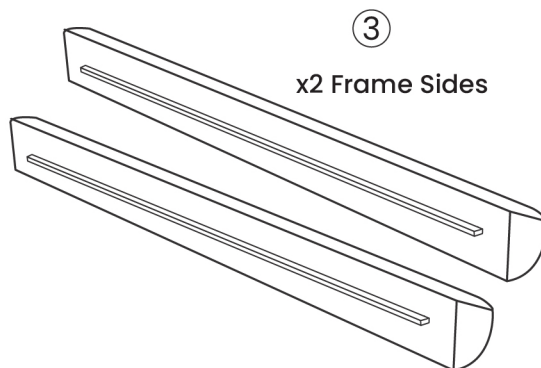
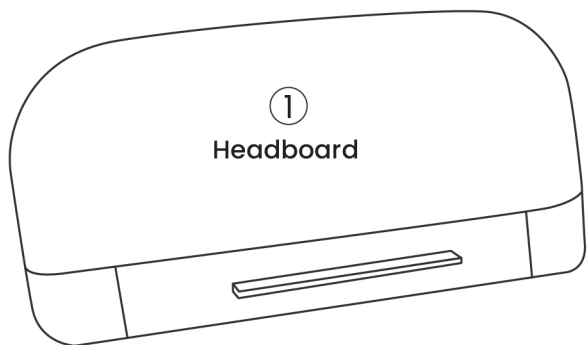
1. Allow ample room for assembly and in close proximity to where product will be placed.
2. Assemble the product on a surface that does not scratch or damage the exterior and finish of the furniture.
3. During assembly, do not over-tighten any fittings as this may cause damage.
4. **DO NOT USE POWER TOOLS TO ASSEMBLE THIS PRODUCT.**
5. Do not sit or stand on the partially assembled product, only use the product for which it is intended.

CARE AND USE

- Keep your new furniture away from all heat sources and direct sunlight. The fabric will lighten if it's exposed to sunshine.
- Use a vacuum cleaner with fabric attachment to clean up lint and debris.
- Spills must be soaked up immediately with a clean, absorbent cloth or paper towel. Do not dab or rub the spill as this will push the liquid deeper in the fibers. Leave the cloth in place until all the liquid has been absorbed. Allow fabric to air dry or use a blow-dryer on a low/cool setting to dry it out.
- For more persistent stains, add a small amount of dishwashing detergent to a half cup of water and shake well. Use the suds to clean the stain. Do not rub too vigorously. Blot and dry as above.
- Please note that new, unwashed denim jeans may transfer dye onto fabric and leather, leaving permanent stains.
- For heavy soiling, please consult a furniture cleaning specialist.
- Ensure all feet are tightly fastened. Do not drag furniture as this may cause damage to your floor.

SAFETY PRECAUTIONS: 1. KEEP ALL HARDWARE PARTS OUT OF REACH OF CHILDREN. 2. DISPOSE PLASTIC PACKAGING MATERIAL IMMEDIATELY TO AVOID ANY RISK OF SUFFOCATION TO CHILDREN AND ANIMALS.

PARTS CHECKLIST



X4 Large Bracket with Legs



X4 Small Brackets



X36 Short Bolts



X12 Long Bolts



X12 Washers



Allen Wrench

