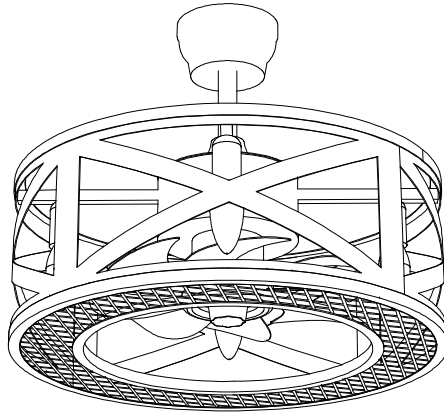
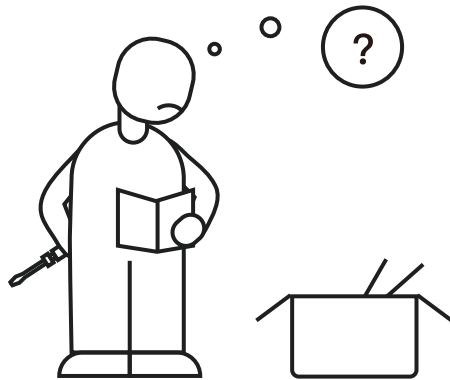


Manual Book

Ceiling Fan with Lights



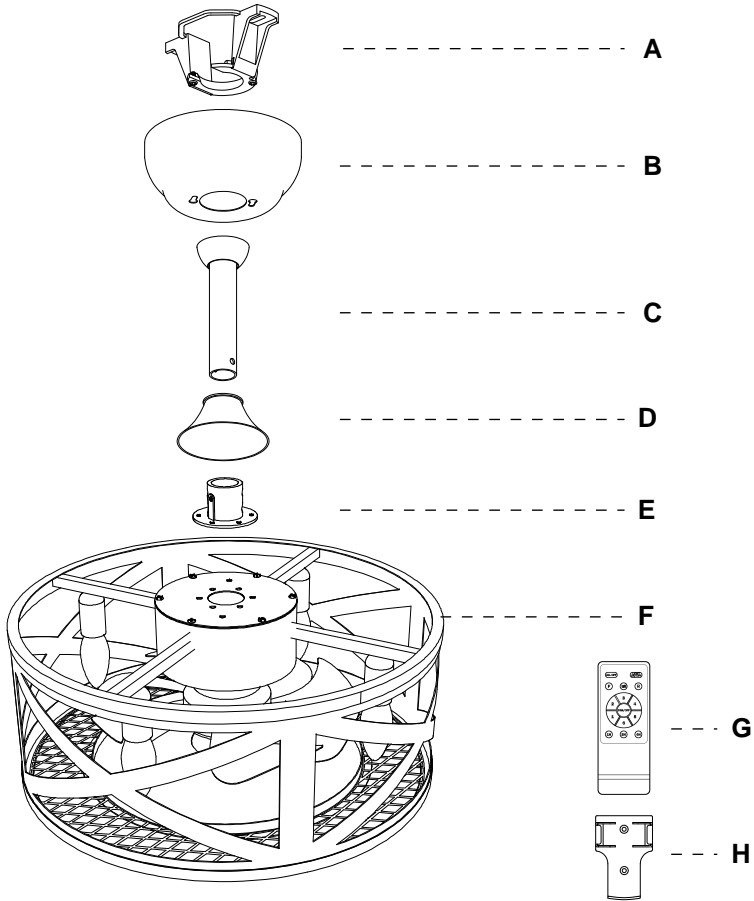
Contact Information



Please contact us with the following information:

1. Screenshot of your order page, including product picture, name, and order ID number.
2. Problem details with pictures / short video if possible.

Packing List



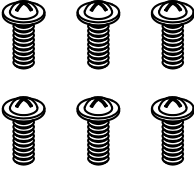
Part	Description	Quantity
A	Mounting Bracket	1
B	Canopy	1
C	Downrod Assembly	2
D	Coupling Cover	1
E	Downrod Hub	1
F	Fan Assembly	1

Part	Description	Quantity
G	Remote Control	1
H	Remote Holder	1

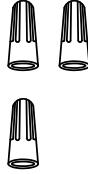
Note:

1. The remote receiver is already assembled in the motor housing.
2. Other parts may be assembled together in the package.

Installation Kit



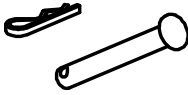
AA



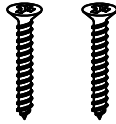
BB



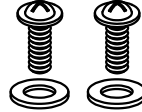
CC



DD



EE



FF

Part	Description	Quantity
AA	Downrod Hub Screw	6
BB	Wire nut	3
CC	Pair of Gloves	1
DD	Clevis Pin & "R" Pin (assembled)	1 Set
EE	Wood Screw (optional)	2
FF	Machine Screw & Washer for Outlet Box (spares)	2

Note:

Some extra hardware may be included. The quantity listed above is the number required for installation.

Safety Rules

1. Be sure the power to the wires you are working on is disconnected, either the fuse is removed or the circuit breaker is turned off. Turning the power off using the light switch is not sufficient to prevent electrical shock.
2. A qualified licensed electrician is required for the installation.
3. The outlet box and support structure must be securely mounted and capable of reliably supporting a minimum of 50 pounds. Use only UL (cUL for Canadian Installation) listed mounting boxes marked "FOR FAN SUPPORT".
4. The fan must be mounted with a minimum of 7 feet clearance from the trailing edge of the blades to the floor.
5. Do not operate reversing switch while fan blades are in motion (if applicable). The fan must be turned off and the blades stopped before reversing the blade direction.
6. Do not place any objects in the path of the blades.
7. To avoid personal injury or damage to the fan and other items, be cautious when working around or cleaning the fan.
8. Do not use water or detergents when cleaning the fan or fan blades. A dry dust cloth or lightly dampened soft cloth will be suitable for the cleaning.
9. After marking electrical connections, spliced conductors should be turned upward and pushed carefully up into the outlet box. The wires should be spread apart with the grounded conductor on one side of the outlet box.
10. Electrical diagrams are reference only, different fan lights may have different light shades and bulbs.
11. Use only our replacement parts. This equipment has been tested and found to comply with the limits for a class B digital device, pursuant to part 15 of the FCC Rules. These limits are to provide reasonable protection against harmful interference in a residential installation. This equipment generates, uses, and radiate radio frequency energy and if not installed and used in accordance with the instructions may cause harmful interference to radio communications.

Warning:

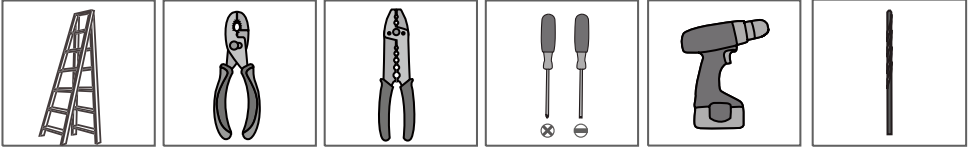
To reduce the risk of personal injury, use only the two steel screws and washers provided with the outlet box for mounting to the outlet box. Most outlet boxes commonly used for the support of lighting fixtures are not acceptable for fan support and need to be replaced, consult a qualified electrician if in doubt.

To reduce the risk of fire, electric shock, or personal injury, mount the fan to the outlet box marked "acceptable for fan support".

To reduce the risk of personal injury, do not bend the blade brackets (also referred to as flanges) during assembly or after installation. Do not insert objects in the path of the blades.

Installation Preparation

Tools You Need



Ladder

Pliers

Wire Strippers

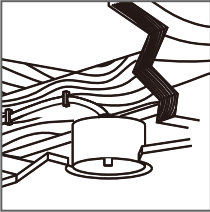
Screwdrivers

Power Drill (optional)

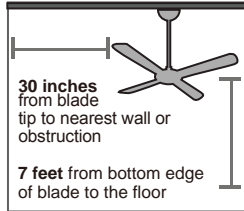
Drill Bit (optional)

If mounting to a support structure, you will also need the optional tools.

What to Expect with Your Installation



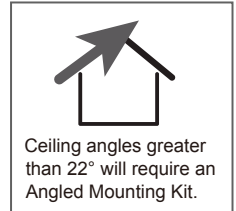
Must be able to secure the fan to building structure or fan-rated outlet box



Assess location



Check box to see fan weight



Angled ceiling applicable

Installation Step 1 (Assemble the Fan)

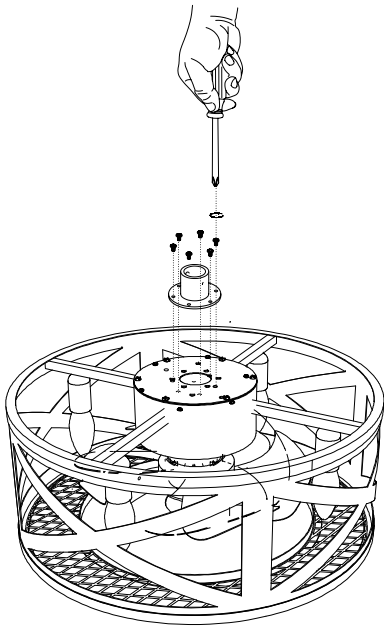


Fig. 1

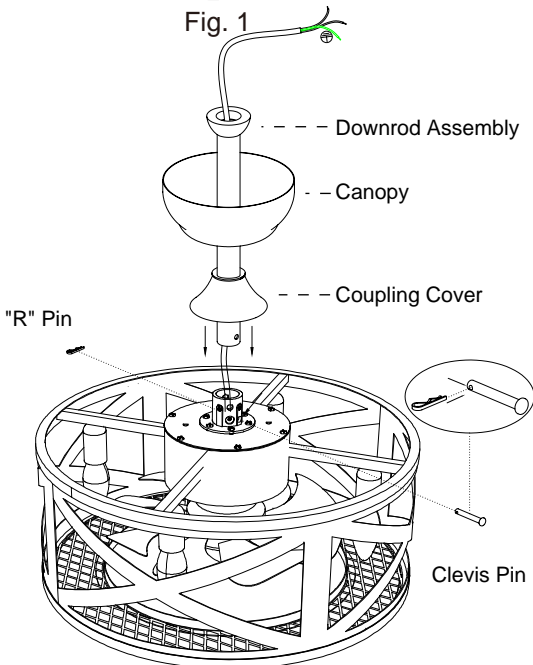


Fig. 2

NOTE: This ceiling fan comes with two downrods:

1. The short downrod is for "close-to and flat ceilings" installation (less than 9 feet).
2. The long downrod is for higher or angled ceilings less than 22°.

1. Attach the Downrod Hub

Attach the downrod hub onto the fan assembly with the downrod hub screws provided as Fig. 1.

2. Assemble the Fan

Step 1. Remove the clevis pin and "R" pin from the downrod assembly.

Step 2. Assemble the canopy and coupling cover as Fig. 2.

Step 3. Route wires from the fan through downrod assembly.

Step 4. Loosen the set screws from the downrod hub but do not take off.

Align the holes at the bottom of the downrod with the holes in the downrod hub. Carefully insert the clevis pin through the holes in the collar and downrod. Be careful not to jam the clevis pin against the wires inside the downrod. Insert the "R" pin into the end of the clevis pin (Fig. 2).

Step 5. Fix the downrod with the set screws on the hub.

Installation Step 2 (Mount the Bracket)

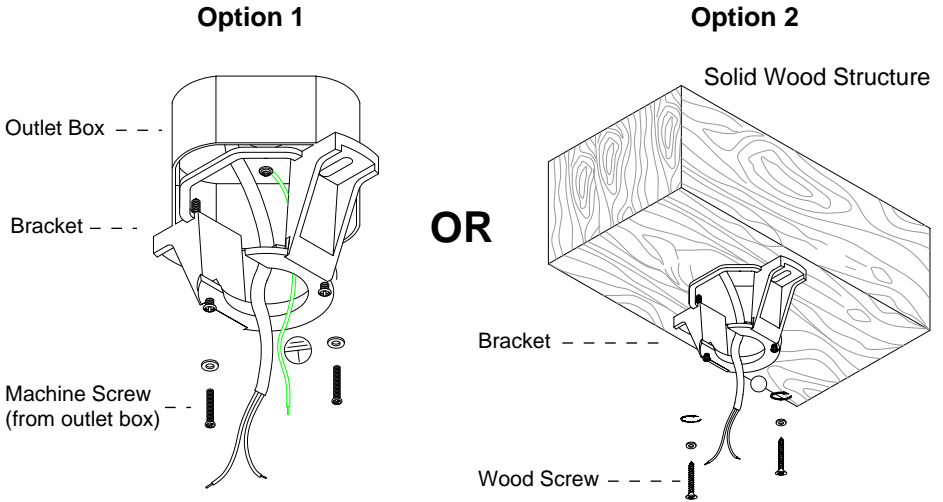


Fig. 3

Option 1: With Outlet Box

Fix the mounting bracket onto the outlet box with screws from the outlet box.

Option 2: Without Outlet Box

Fix the mounting bracket onto the solid wood structure with 2 wood screws.

Installation Step 3 (Hang and Wire)

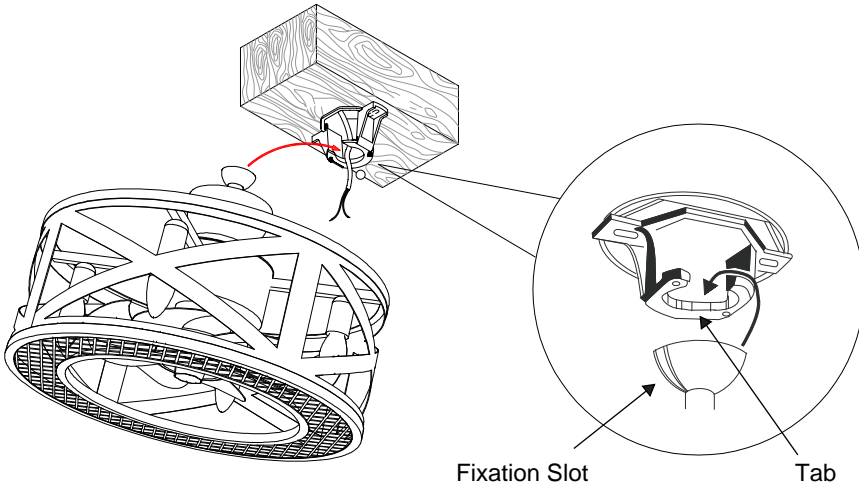


Fig. 4

1. Hang the Fan

Lift the downrod into the mounting bracket. Rotate the downrod until the tab in the mounting bracket is seated in the fixation slot in the downrod ball (Fig. 4).

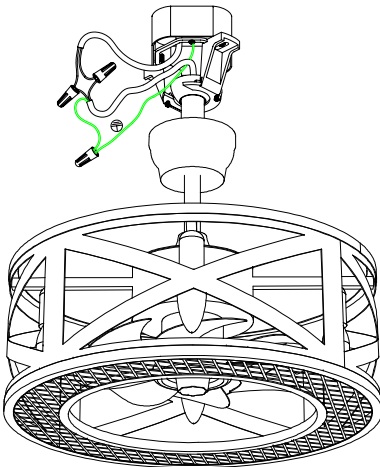


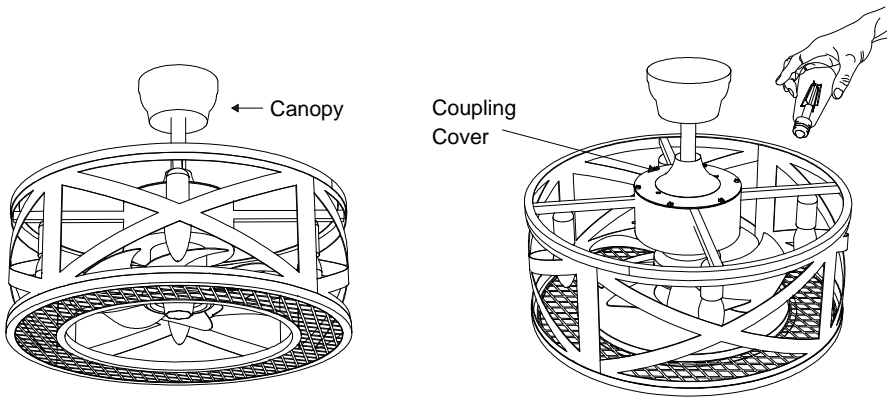
Fig. 5

2. Wire the Fan

Connect the wires from the fixture to the house supply wires with wire nuts, ground wire (green, green/yellow, or bare copper) to ground wire, neutral wire (white or blue) to neutral wire, and hot wire (black or brown) to the hot wire. Wrap the connection with electrical tape.

NOTE: THIS FAN ONLY NEEDS ONE SET OF INPUT WIRES (black, white, and ground wire). Both of the fan and lights will be controlled by the remote controller. **THIS FAN CAN ONLY BE CONNECTED TO AN ON/OFF SWITCH IF YOU HAVE ONE, NOT A DIMMER SWITCH.**

Installation Step 4 (Fix the Canopy and Install the Bulbs)



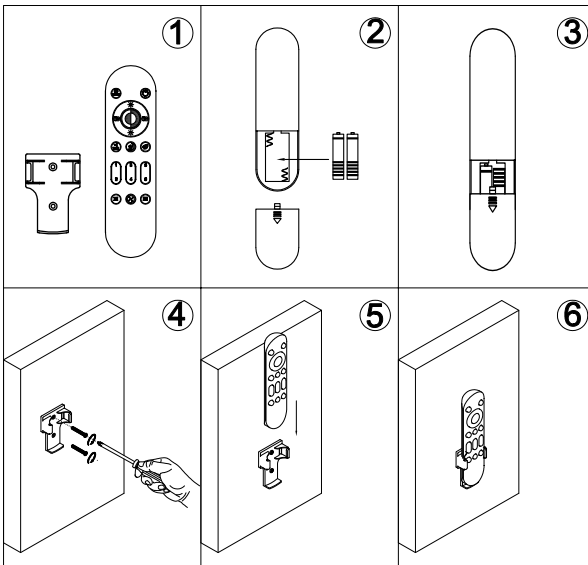
Step 1. Slide the coupling cover downward to cover the downrod hub.

Step 2. Slide the canopy up to the ceiling and attach it to the mounting bracket with the screws provided. Tighten all screws securely.

Step 3. Install light bulbs (E12 x 4, Max 40W each, LED recommended)

Note: Please adjust the light arms to make sure there is enough space between the bulbs and the blades.

Installation Step 5 (Install the Remote Holder)

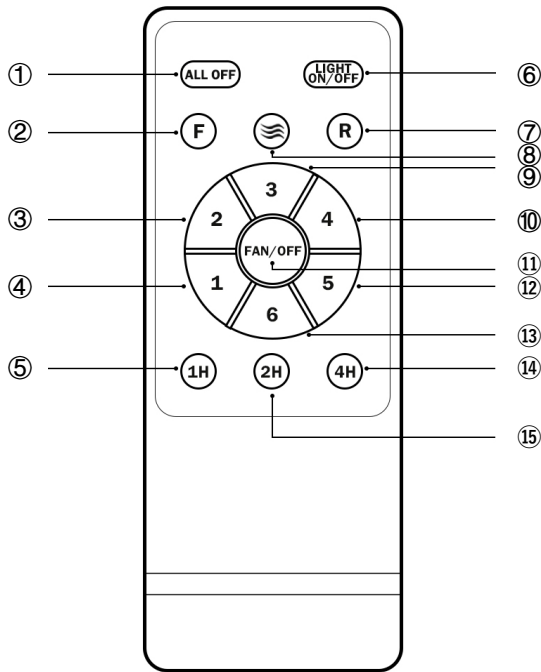


1. Insert 2 batteries before using:

AAA 1.5V battery x 2pcs
(not included)

2. Install the remote holder onto the wall with screws.

Remote Control Instructions



NOTE:

**Please insert 2 batteries before using.
AAA 1.5V battery x 2pcs (not included)**

- ①: Turn off the fan and lights.
- ②⑦: "F" refers forward fan direction."R" refers reverse the fan.
- ③④⑨⑩⑫⑬: 1/2/3/4/5/6 for fan speeds.
- ⑤⑭⑮: 1H/2H/4H for timing the fan.
- ⑥: Turn on/off the lights.
- ⑧: Natural wind of the fan, fan speed will change automatically when using this function.
- ⑪: Turn off the fan.

REMOTE SIGNAL PAIRING: If the remote control loses the signal of the fan, turn off the power from wall switch, then turn it on, press ⑪ immediately for around 3 seconds, after the fixture beeps or flashes, then it's done.

Trouble Shooting

1. Fan doesn't work

- Make sure the fixture is connected to an ON/OFF wall switch, not a dimmer switch.
- Check the remote control battery (not included in this package).
- Check the circuit breaker to ensure the power is on.
- Turn off power from the circuit breaker, then loosen the canopy and check all the connections according to the wiring diagram.

2. Lights Do Not Light Up / Flicker / Noisy Operation

- Make sure the fixture is connected to an ON/OFF wall switch, not a dimmer switch.
- Check your power and switch to make sure it's powered on.
- Check the bulb to make sure it's installed correctly.
- Change a new bulb.

3. Noisy Operation

- Tighten the light fitting and blade bottom cover.
- Re-tighten all screws on the bracket, downrod, and fan blades (do not over tighten).
- Check to see if any of the blades are cracked. If so, replace all of the blades.

4. Remote does not work

- Make sure the battery is installed correctly.
- Pair the remote control again (See page 9).
- Install 2 new batteries.

Clean And Care

To clean, wipe the fixture with a soft cloth. Spraying from chemical cleaners can discolor the finish of the fixture. Do not use scouring pads, powders, steel wool, or abrasive paper to clean this fixture.

Ordering Parts

Keep this manual for future reference, and in case replacement parts are needed. Available parts can be ordered from the place of purchase. Use exact wording from diagrams when ordering parts.