

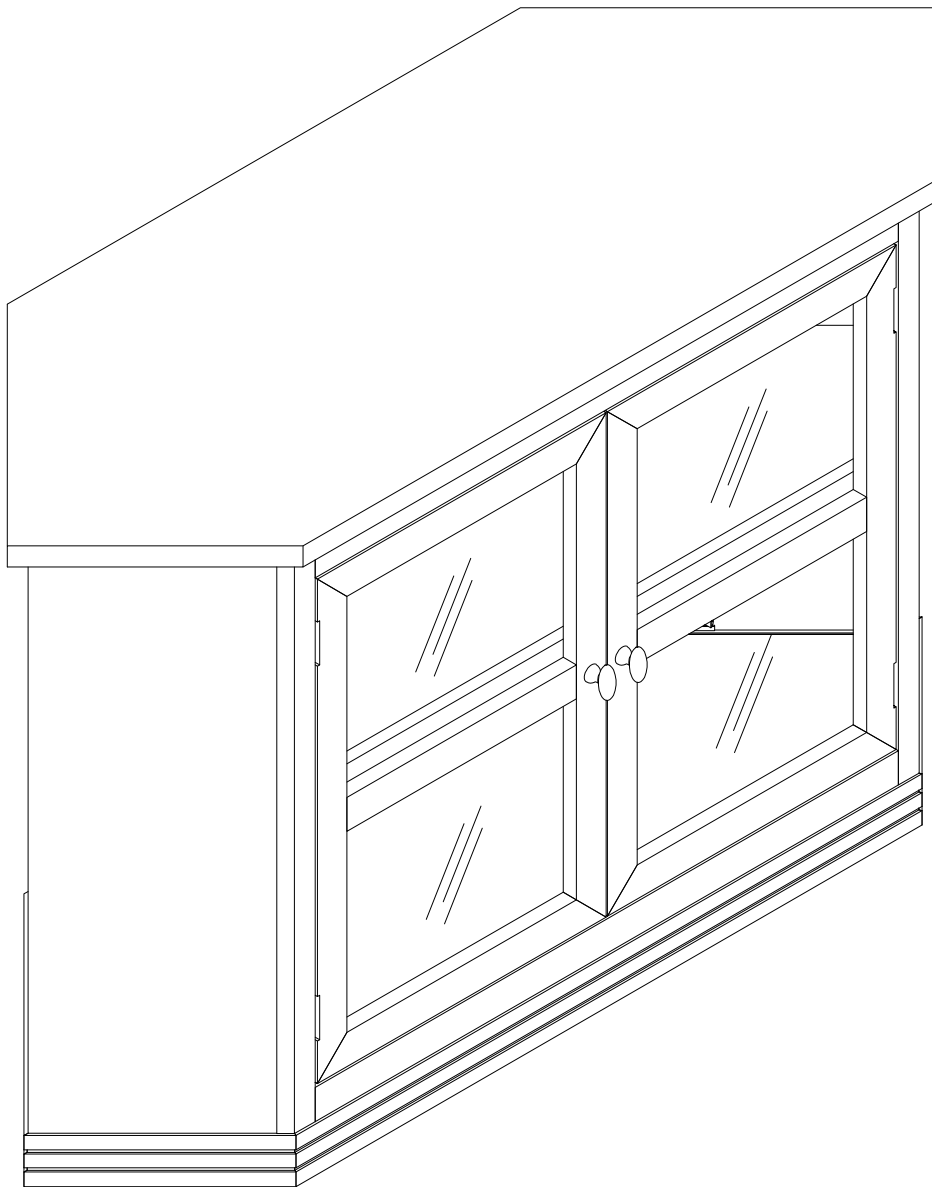
# Assembly Instructions

909254 Glass Door Corner Entertainment - Smoked OAK  
909259 Glass Door Corner Entertainment - Cocoa Brown OAK

**Product Issues? Please Call Us Before Contacting Your Retailer At 1-800-549-3300**

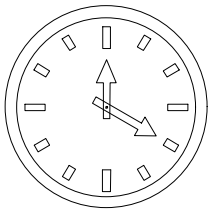
**Email [customerservice@mshome.co](mailto:customerservice@mshome.co), or visit [www.mshome.co](http://www.mshome.co)**

**We can help with Assembly Issues, Part Requests, Damages, & All Other Product Related Questions**

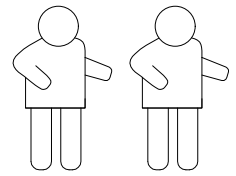


**MSH - USA**

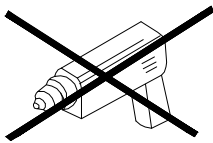
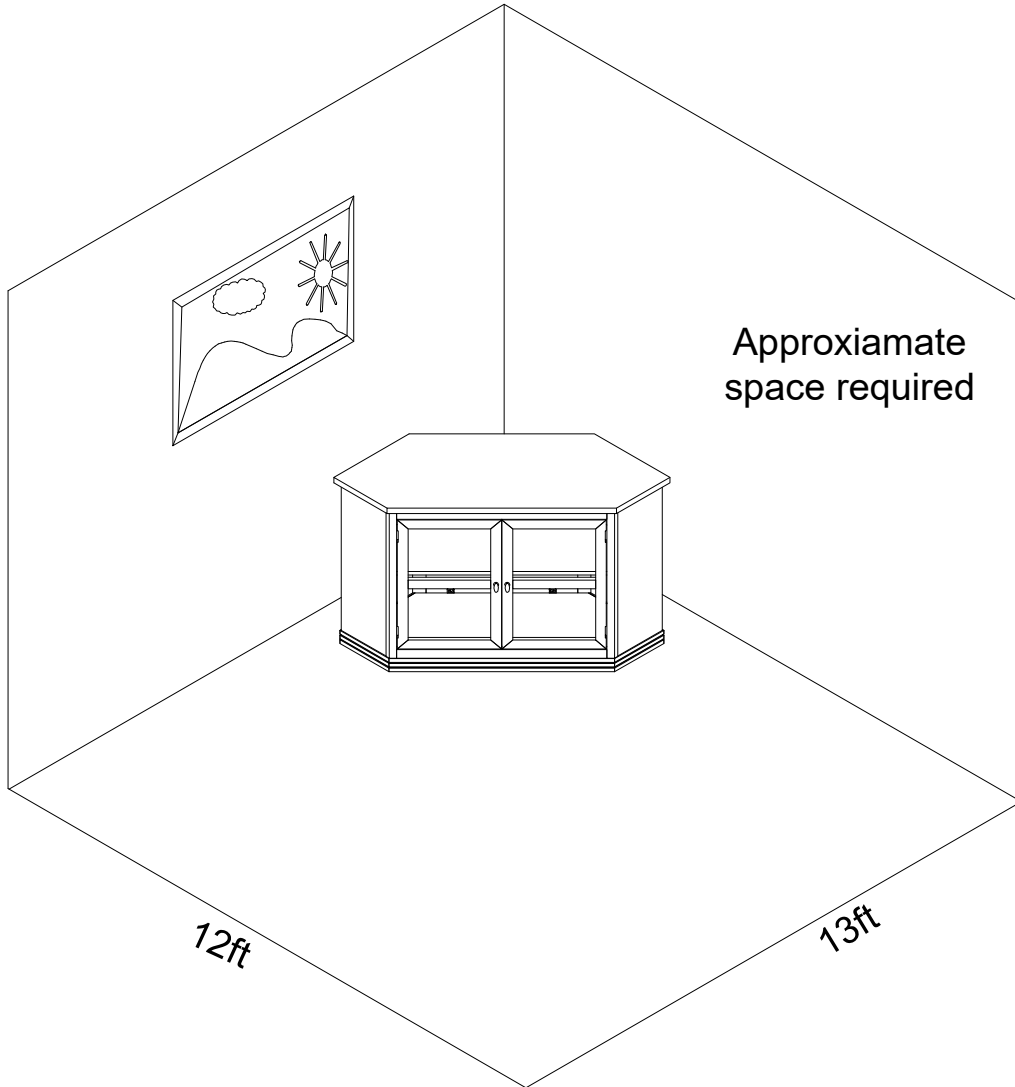
**1-8**



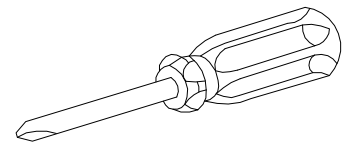
20 min



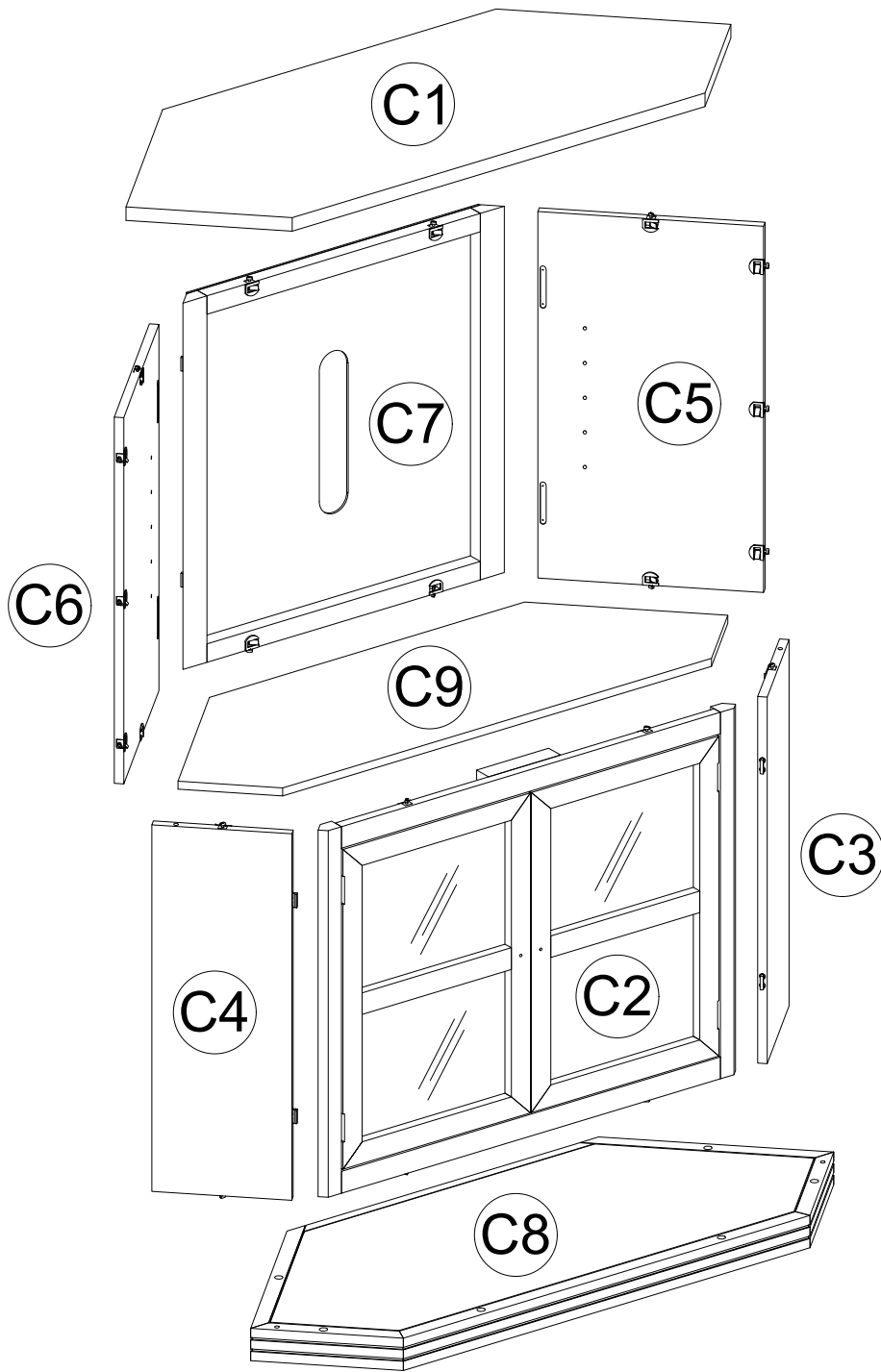
Two People Required  
for Assembly



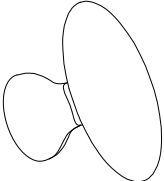
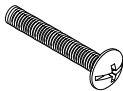
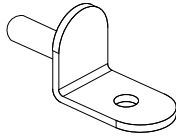
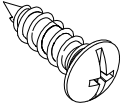
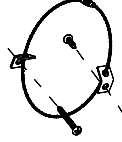
Do Not Use Power Tools



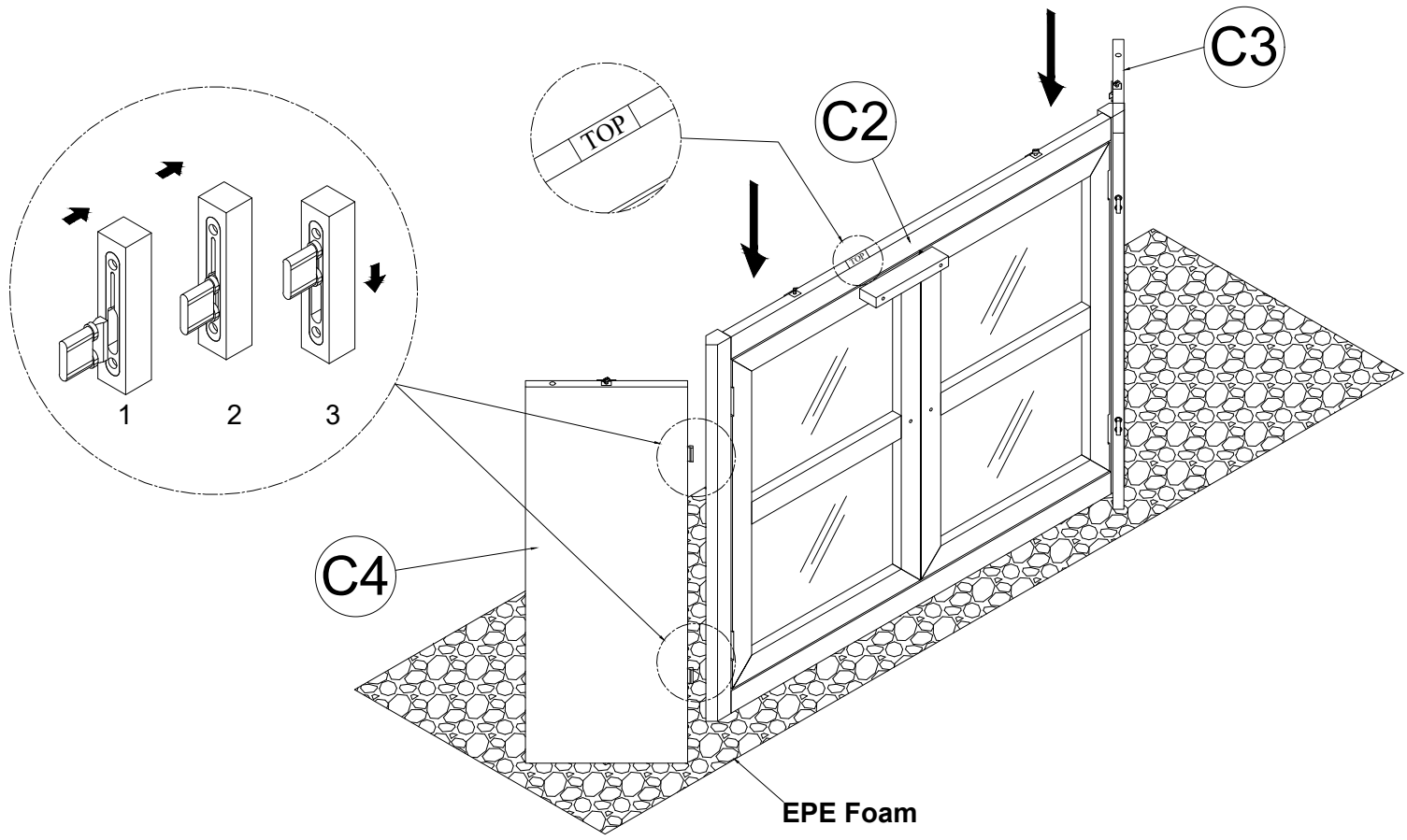
Phillips Head  
Not Provide



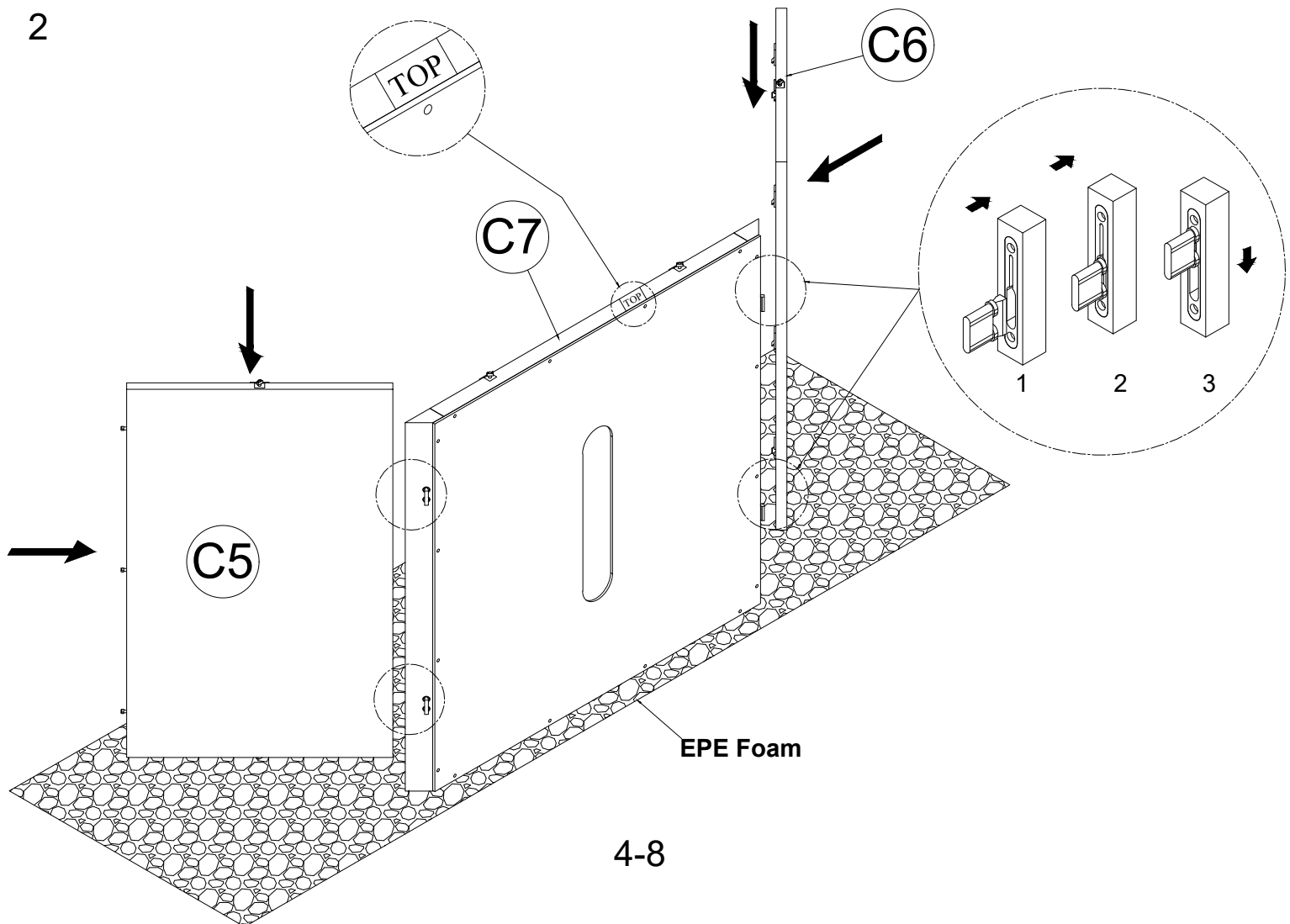
✓ Hardware Pack:

<p><b>A</b></p>  <p>2pcs</p>	<p><b>B</b></p>  <p>Ø4x25 (mm) 2pcs</p>	<p><b>C</b></p>  <p>4pcs</p>
<p><b>D</b></p>  <p>Ø3.5x15 (mm) 4pcs</p>	<p><b>E</b></p>  <p><b>ANTI-TIP SET</b></p>	

**1 Please lay all components on smooth flat surface to prevent scratches  
Use the EPE foam to protect the plastic hardware before assembly**

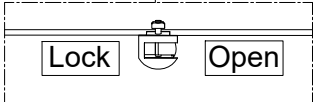
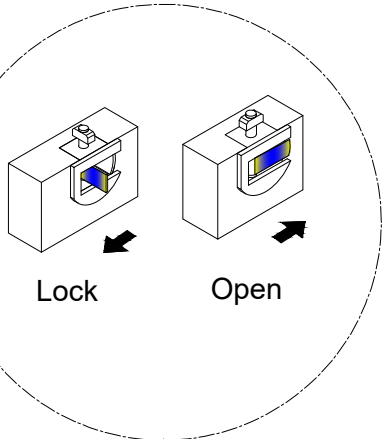
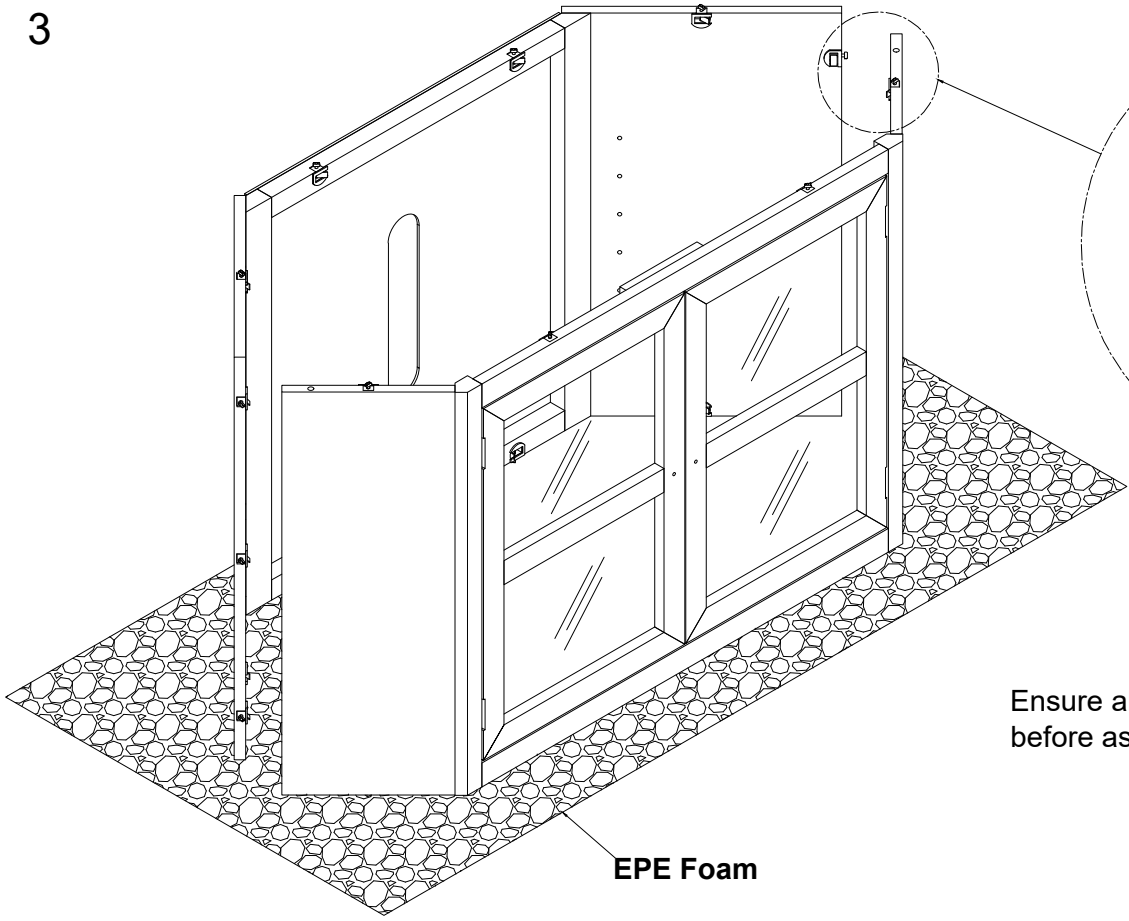


**2**



4-8

3

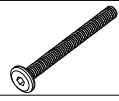


Ensure all latches are open before assembling front and rear frames.

EPE Foam

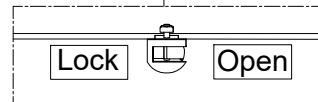
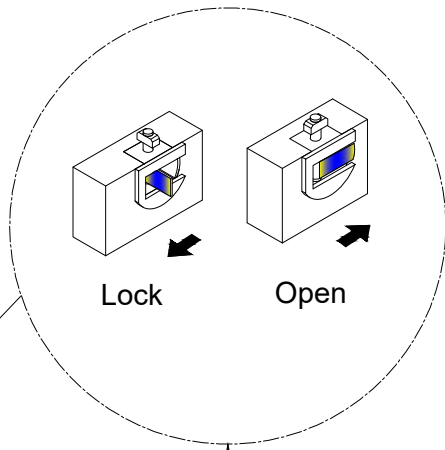
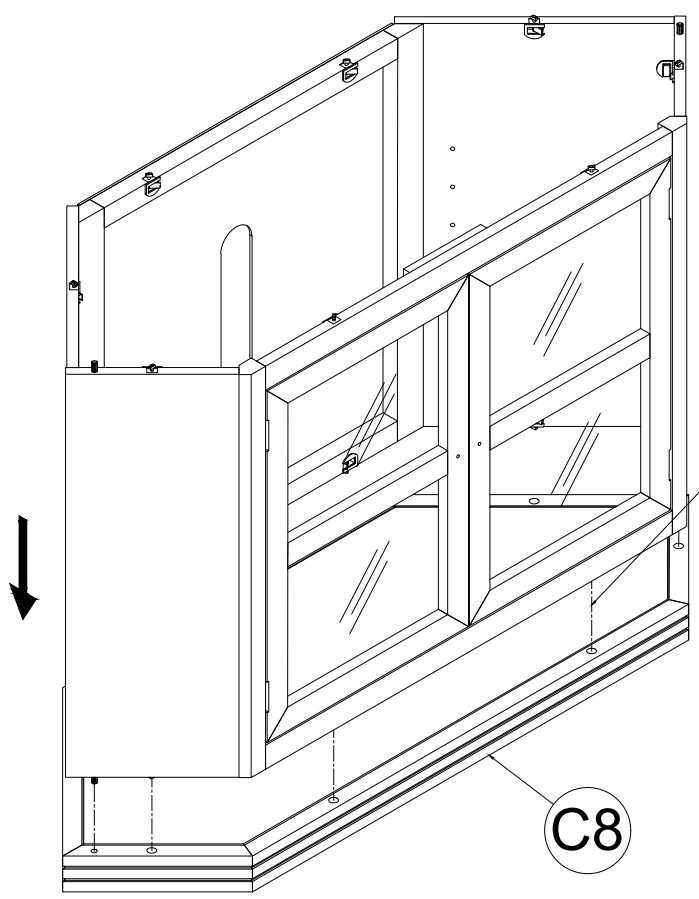
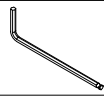
4

A x 6



Ø6 x 60 (mm)

B

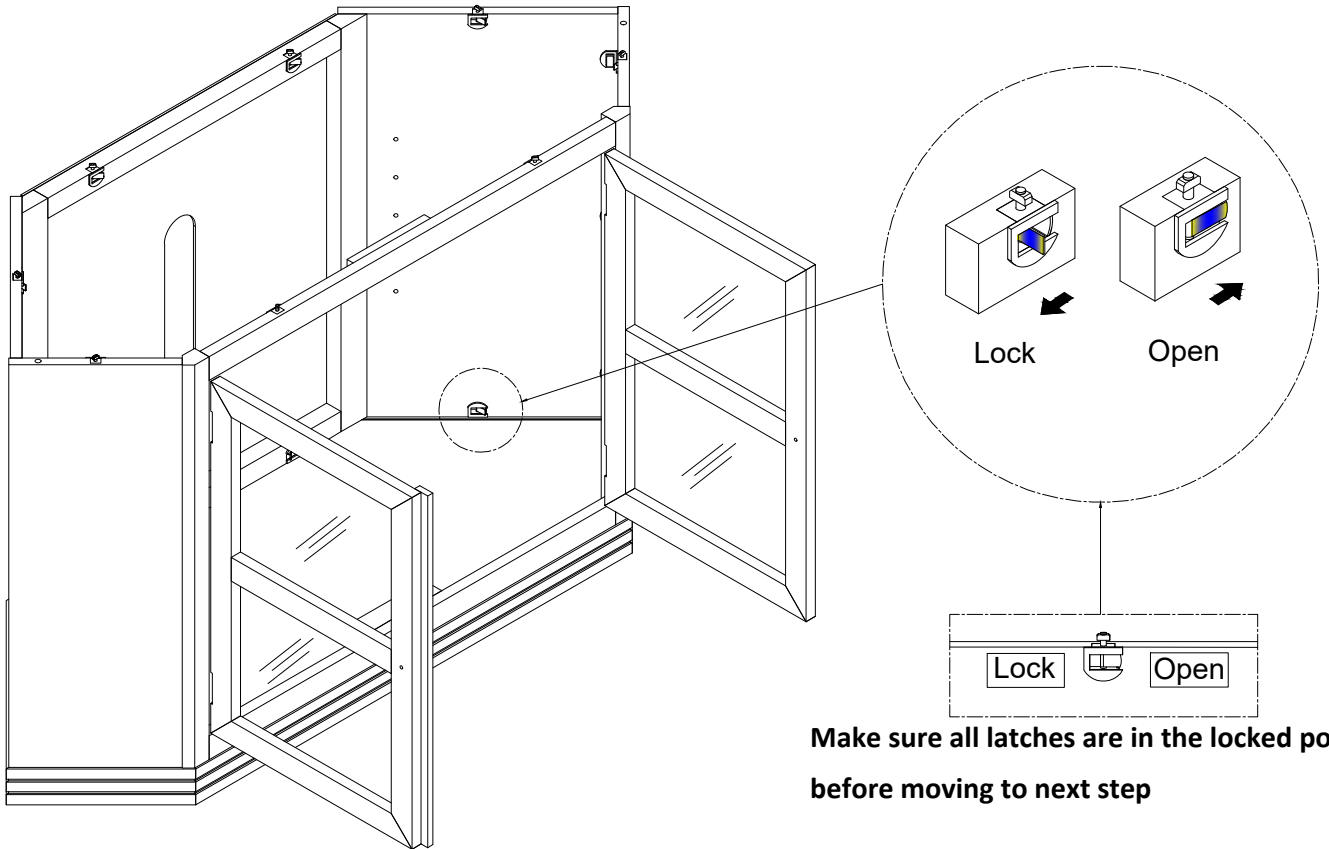


Make sure all latches are in the open position before installing Bottom Panel (C8)

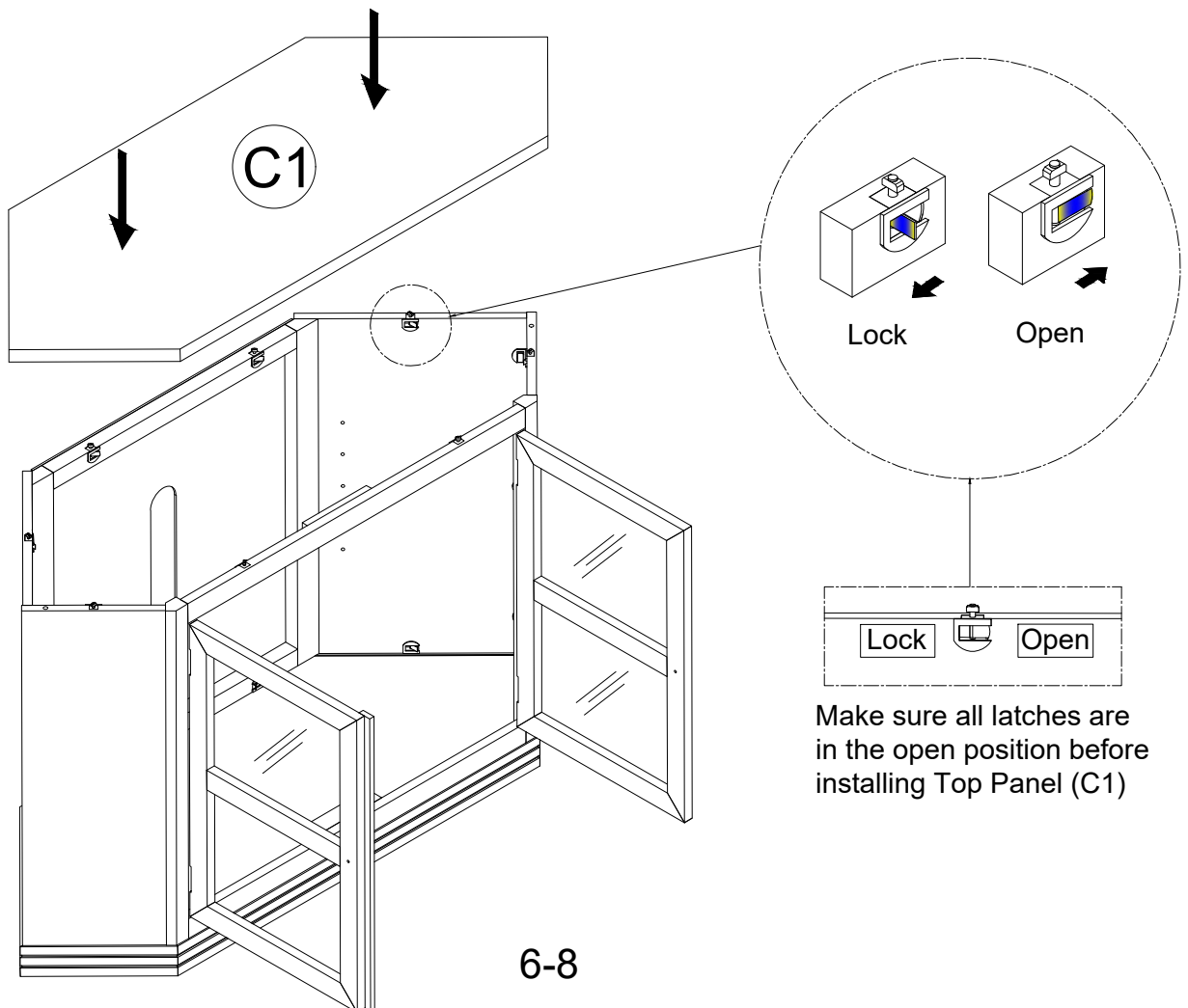
C8

5-8

5

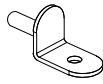


6



7

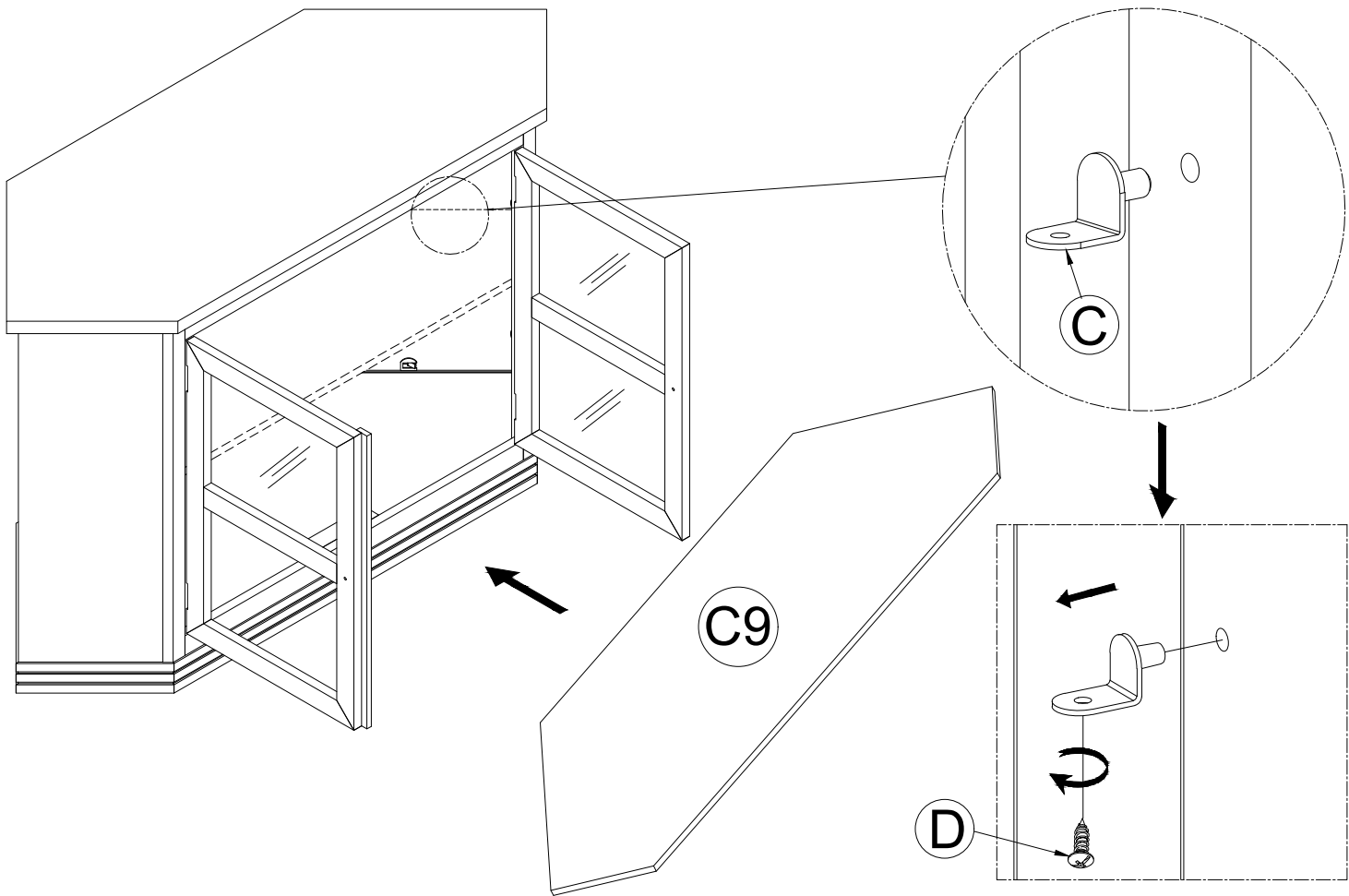
C x 4



D x 4



Ø3.5x15 (mm)

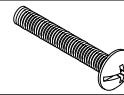


8

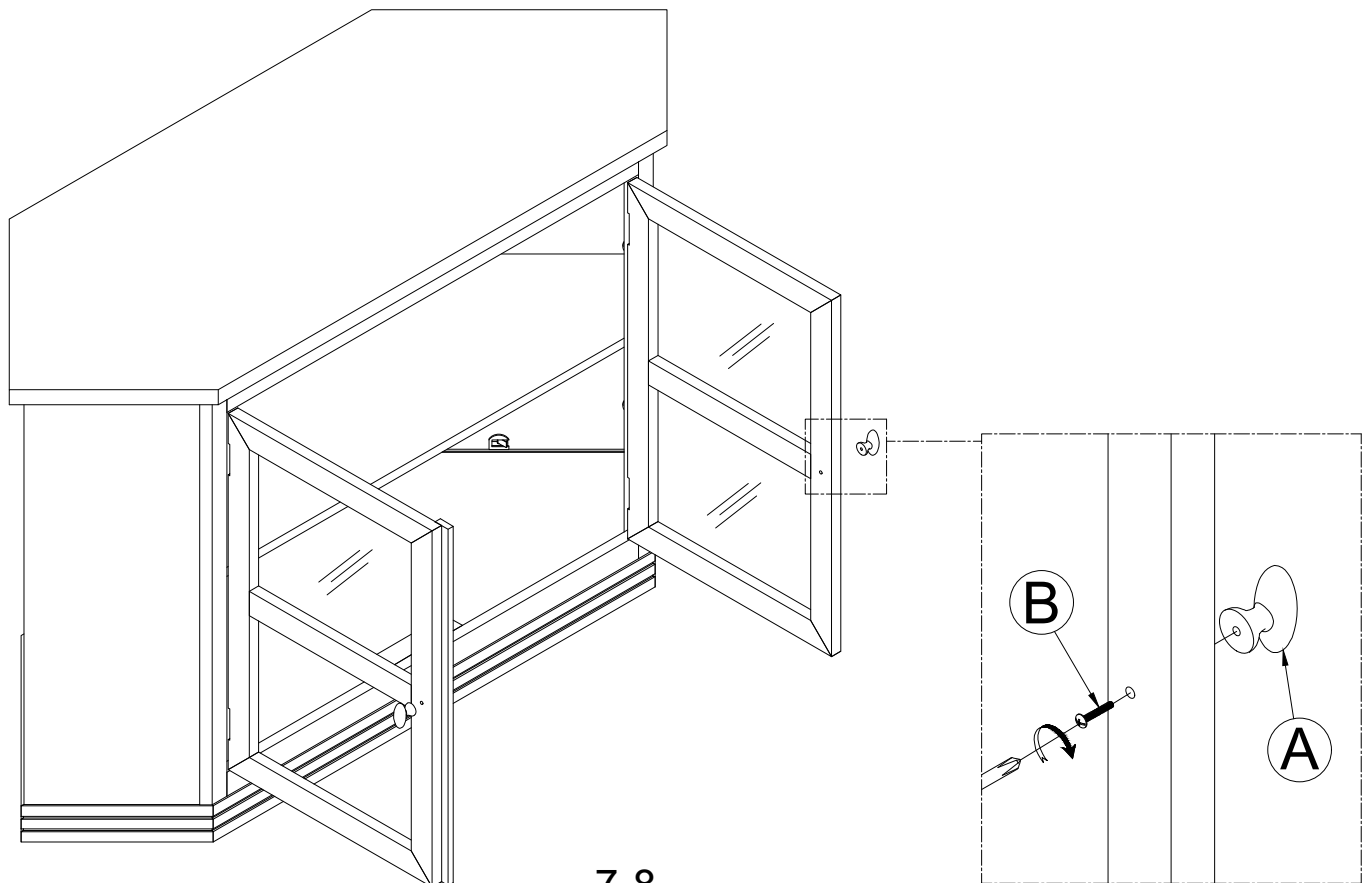
A x 2



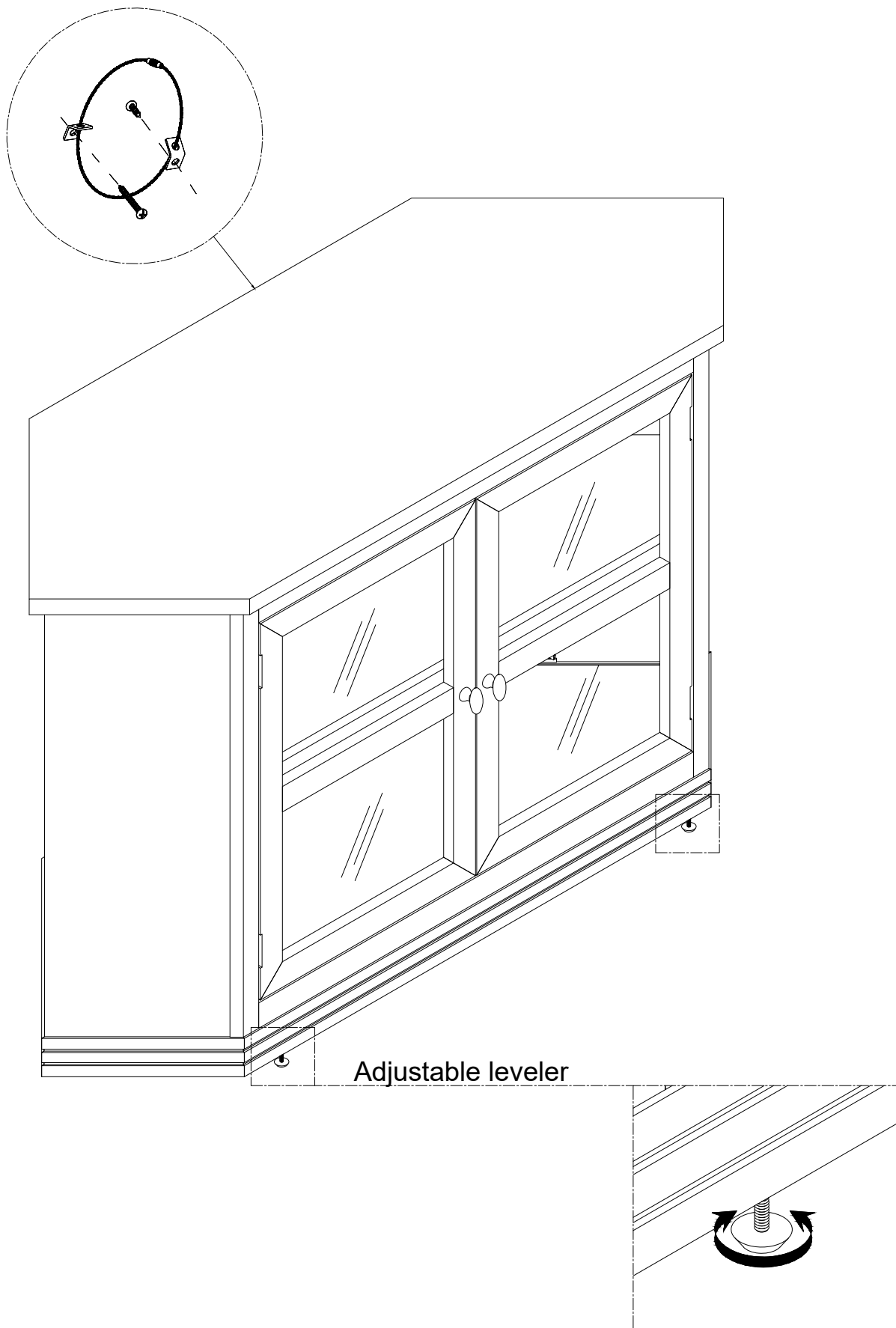
B x 2



Ø4x25 (mm)



7-8



Use the leveling base to attach to the legs for balance.  
If the table is rocking, adjust the adjuster until the condition gets better.



## Replacement Part Form

Have an issue? Need a replacement part?

Please E-mail us before contacting your retailer, we will be happy to fix your issue.

This process will be hassle free! We will replace your part for free!

Please follow these easy steps below.

You will need to E-mail *Martin Svensson Home* Customer Service: [Customerservice@mshome.co](mailto:Customerservice@mshome.co)  
(Please note it is .CO not .com)

Please scan or take a picture of this form filled out.

1. **Customer Name:** \_\_\_\_\_

2. **SKU# with issue:** \_\_\_\_\_

3. **Replacement Part # needed** \_\_\_\_\_

\*Please reference the Assembly Instructions to identify needed part #'s

4. **Photos of the Damaged Part** (please include in the e-mail)

5. **Brief description of the part issue:** \_\_\_\_\_

6. **Proof of Purchase** (please provide a copy of your purchase receipt)

7. **Ship to Address:** \_\_\_\_\_

\_\_\_\_\_

\_\_\_\_\_

8. **Other contact information:**

**Email Address** \_\_\_\_\_

**Phone #** \_\_\_\_\_

\*If possible, could you please provide the UPS or FedEx tracking from original shipment \_\_\_\_\_

\*If possible, could you please provide the P.O. # - information found on back/underneath product \_\_\_\_\_

\*If you have any other question, we are happy to assist with assembly questions or all other parts related questions. Thank you for your purchase!