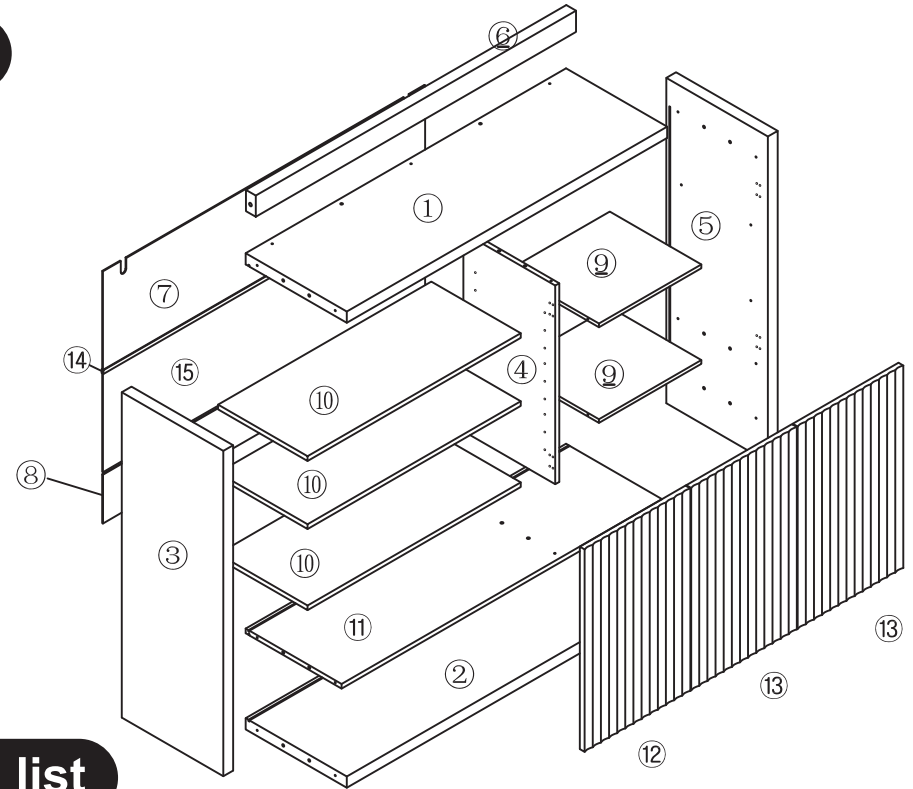


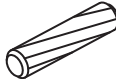







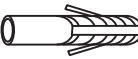








Parts list



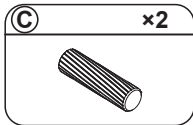
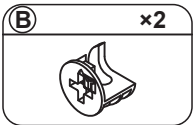
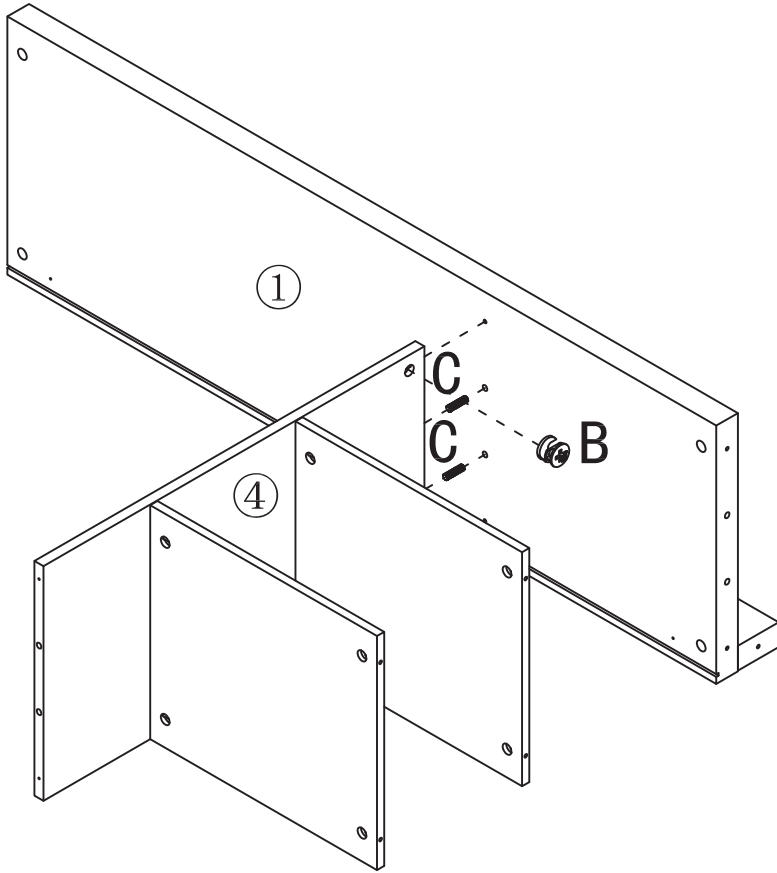
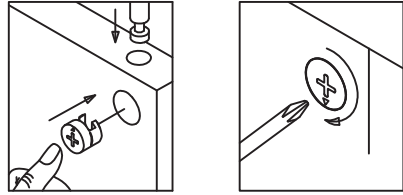
Hardware list

A x27 	B x27 	C x20 $\phi 8 \times 30 \text{mm}$ 	D x6 $\phi 3.5 \times 12 \text{mm}$ 	E x4 
F x3 	G x36 $\phi 4 \times 14 \text{mm}$ 	H x6 	I x2 $\phi 4 \times 15 \text{mm}$ 	J x2 $\phi 4 \times 35 \text{mm}$ 
K x2 	L x2 	M x14 $\phi 3 \times 16 \text{mm}$ 	N x14 	O x27 
P x12 	Q x2 $\phi 4 \times 40 \text{mm}$ 			

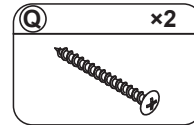
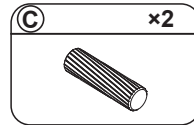
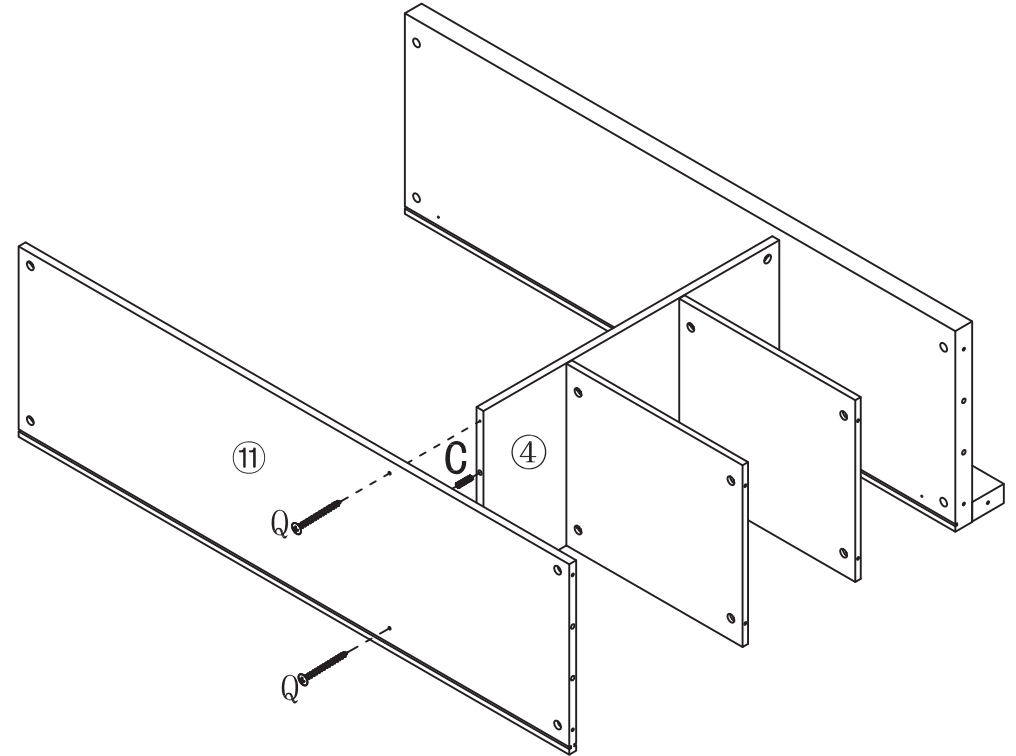
Your satisfaction is our priority!

If for any reason there is anything missing, incorrect, or different from your expectation, please contact us first

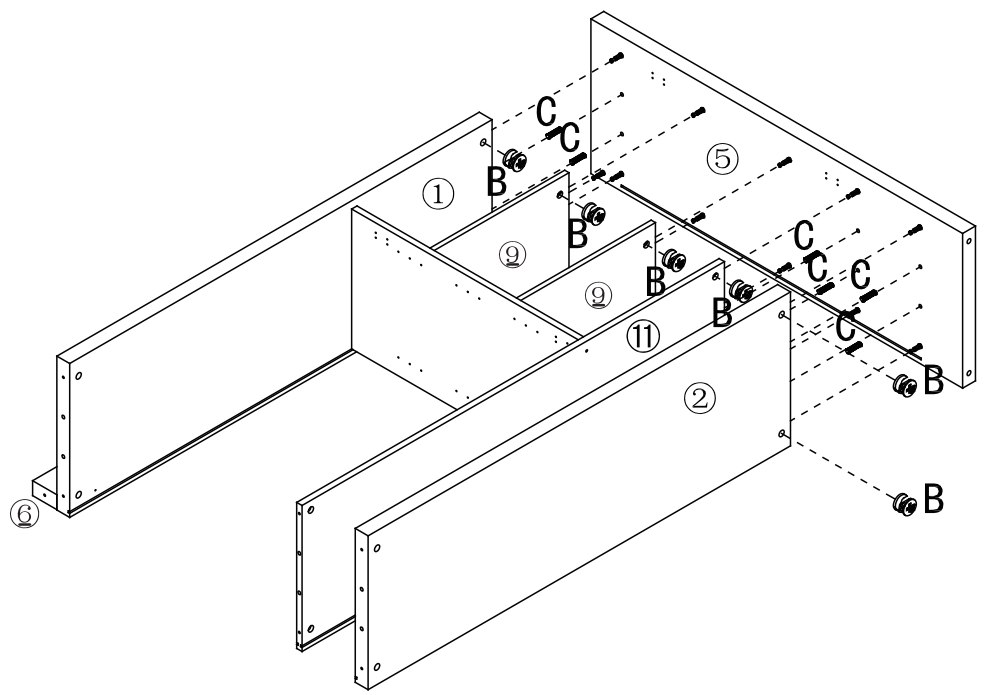
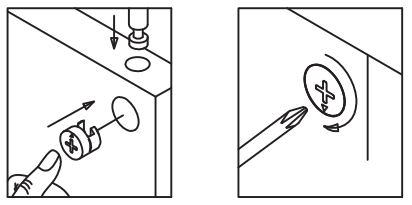
Step 4



Step 5

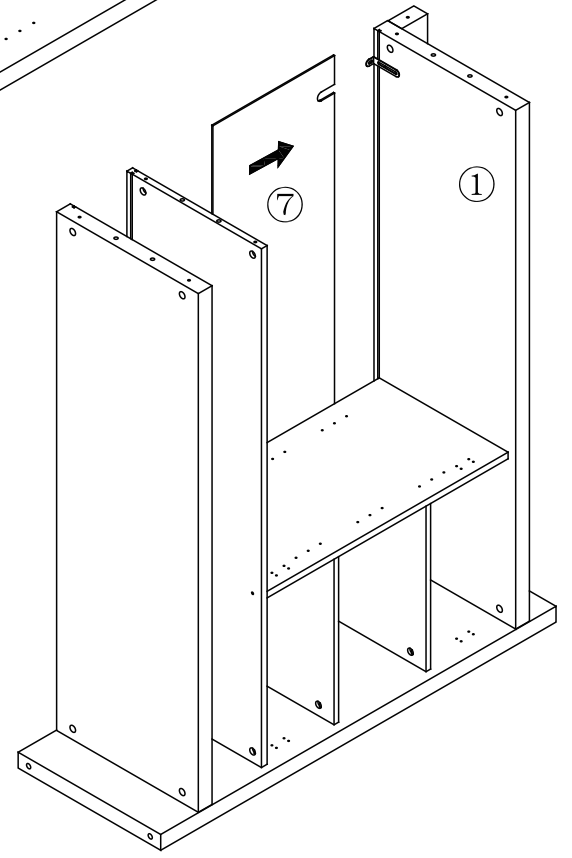
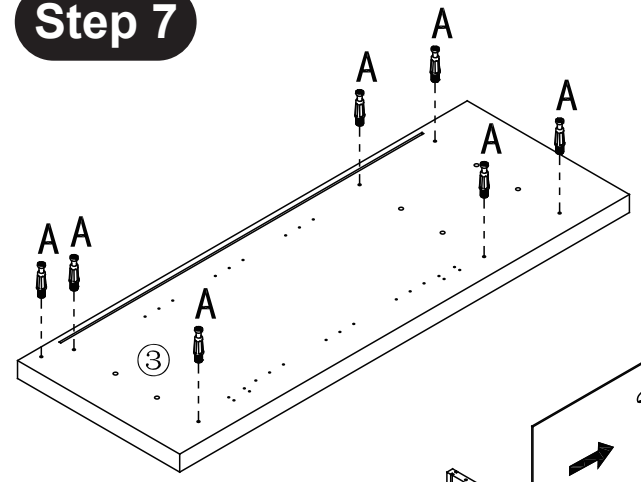


Step 6



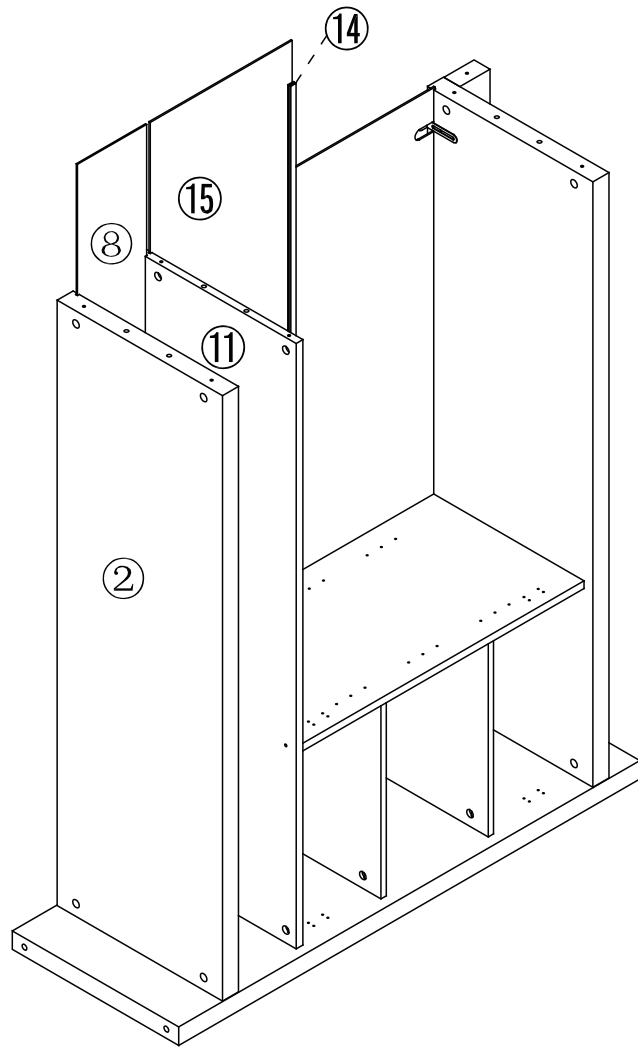
- B** x10
- C** x6

Step 7

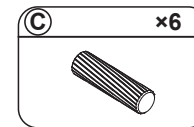
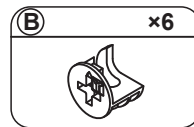
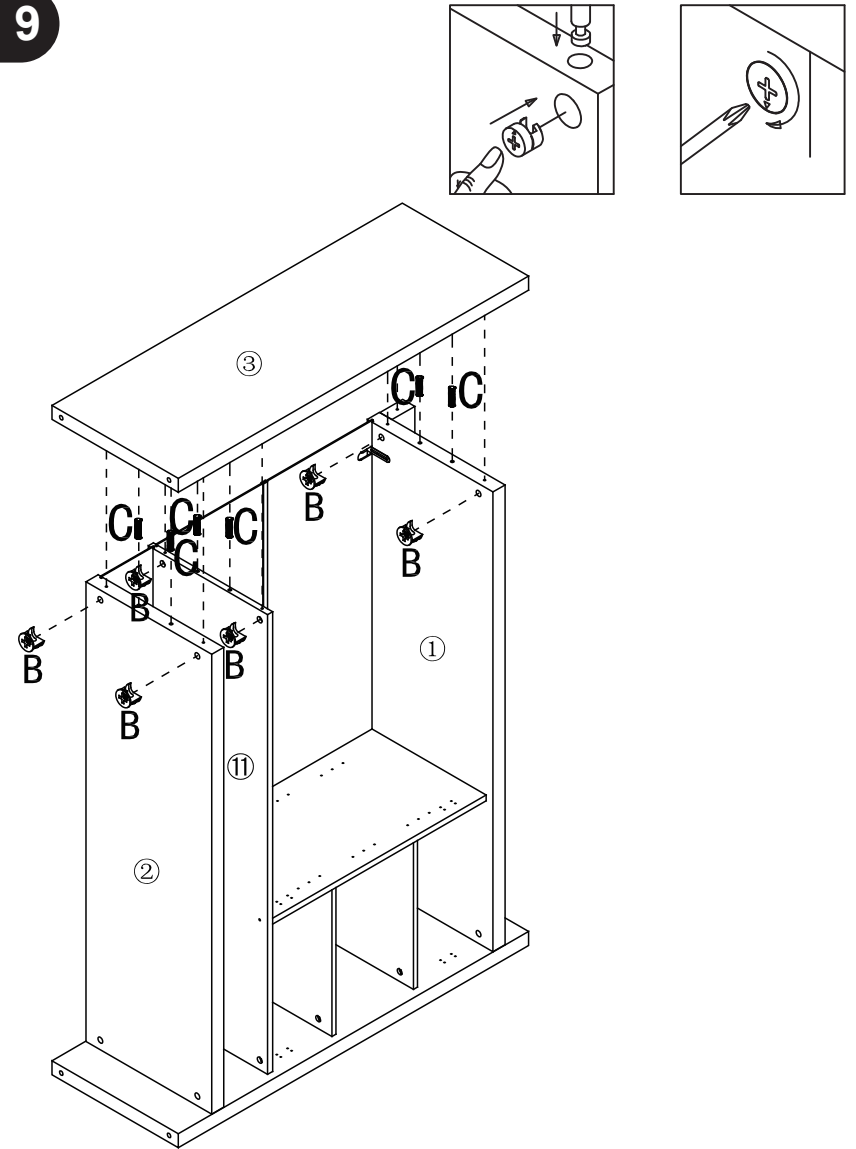


- A** x7

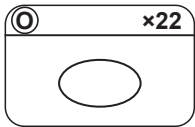
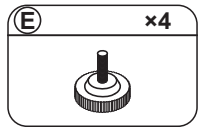
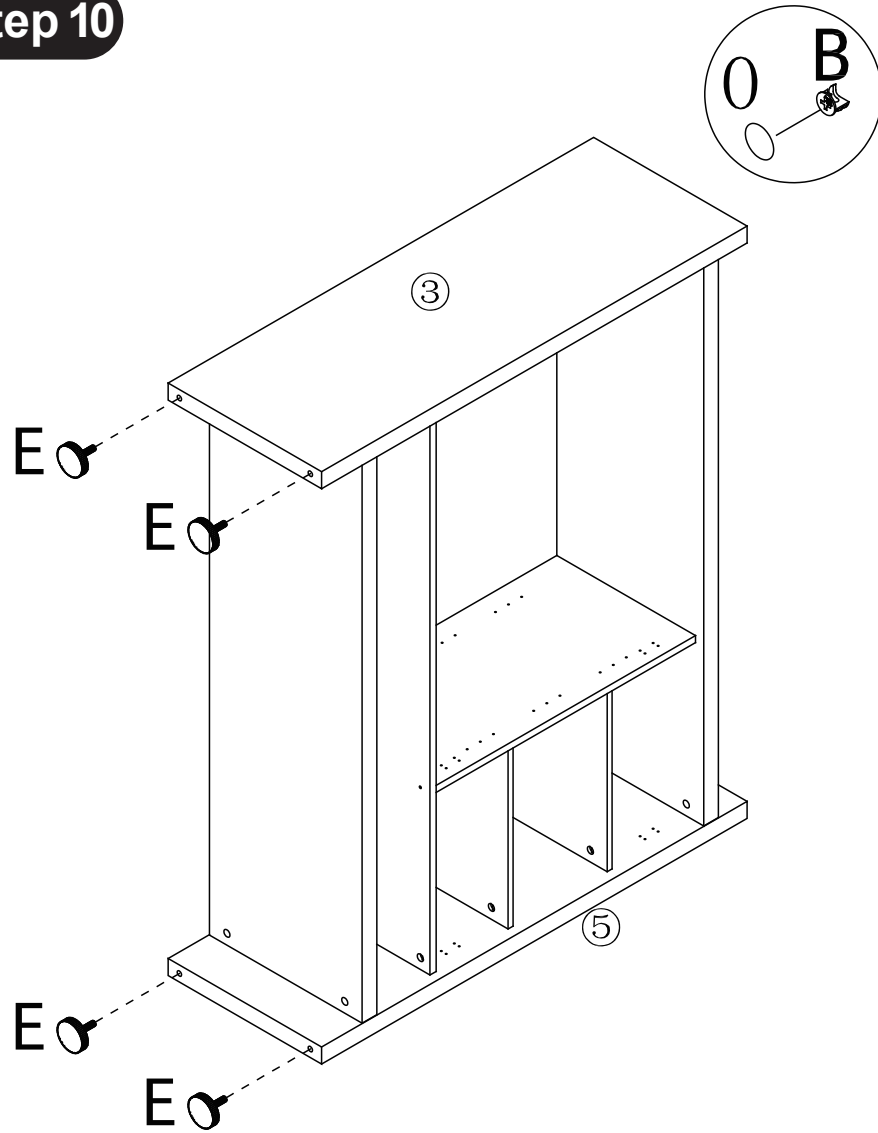
Step 8



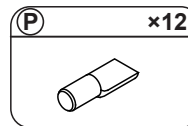
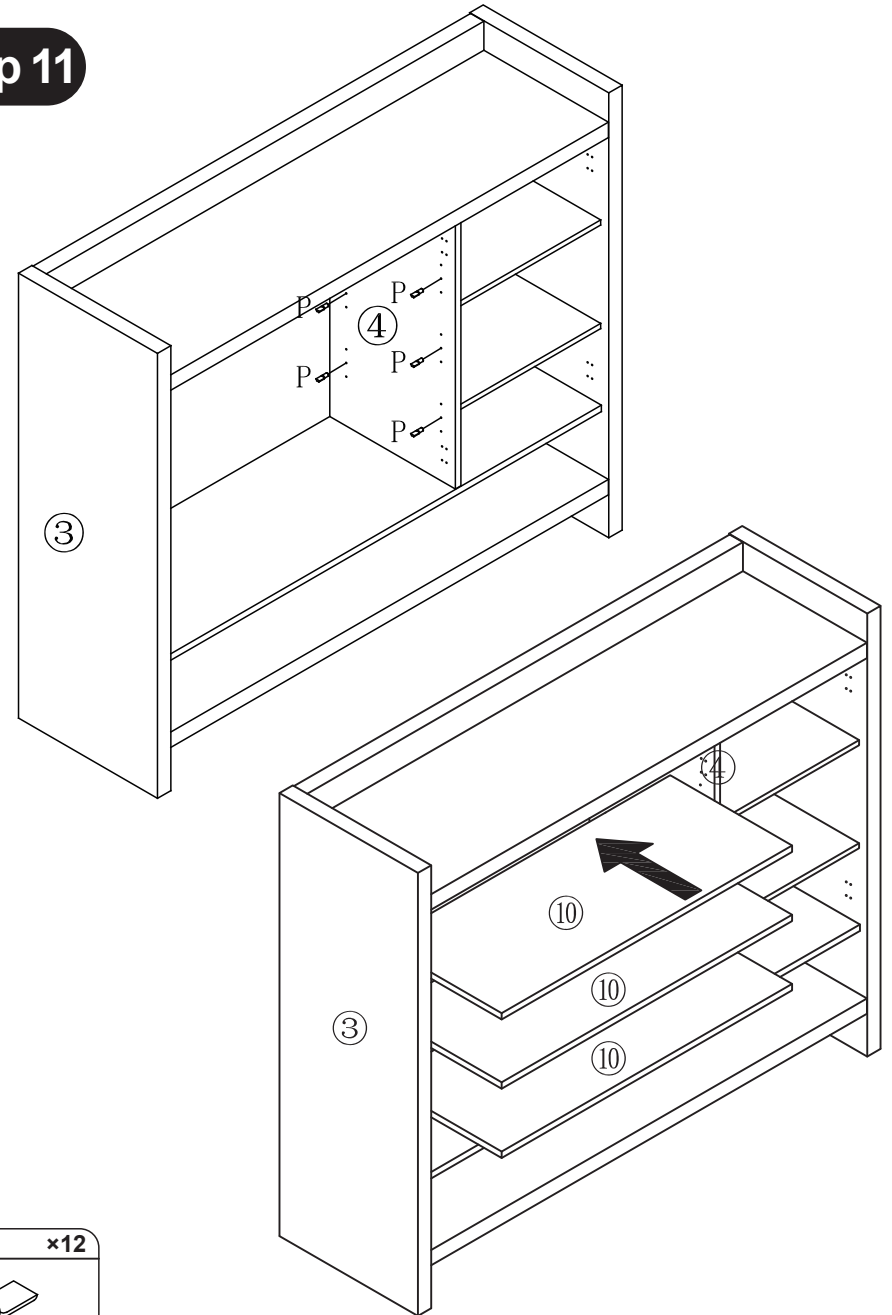
Step 9



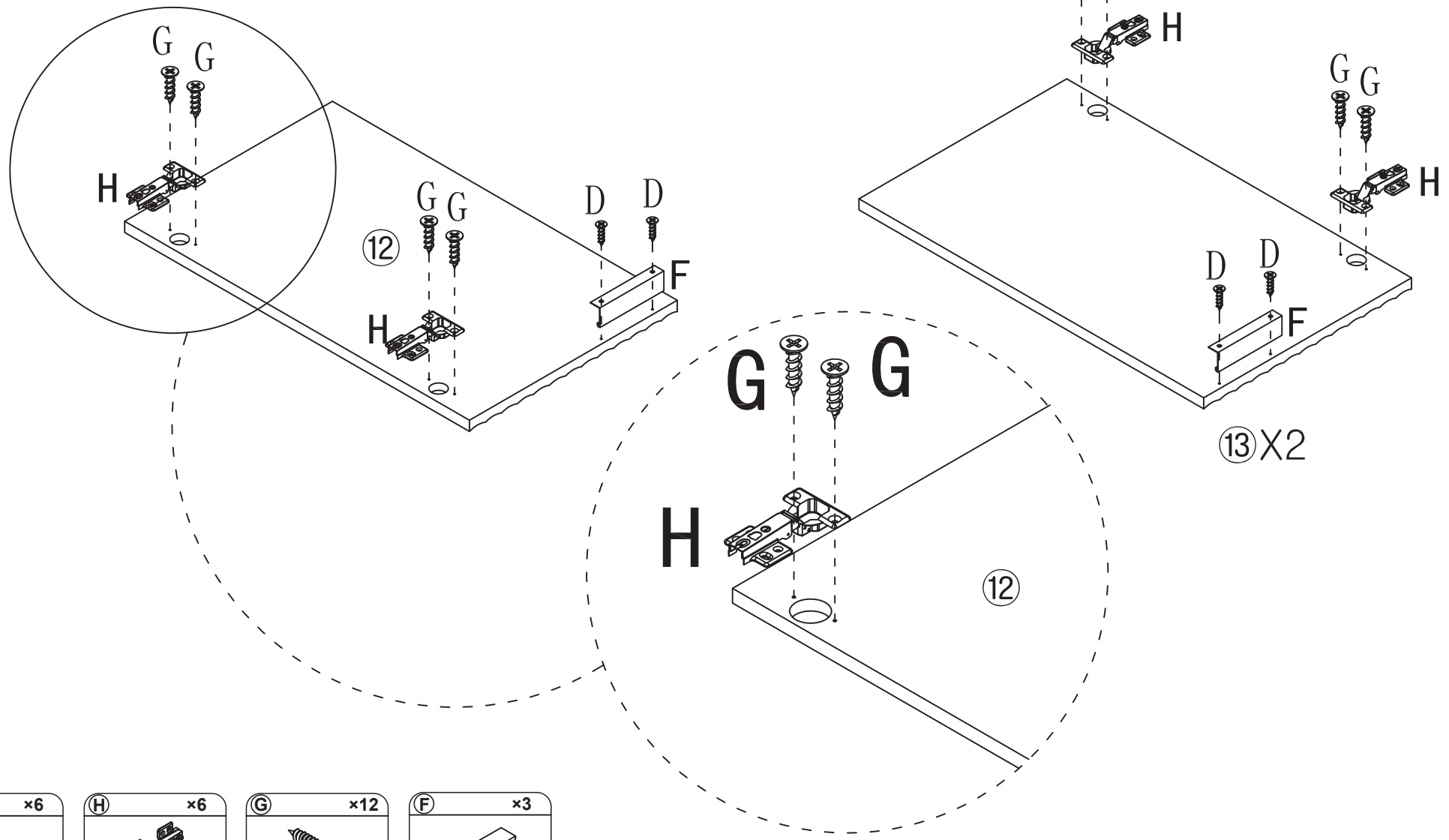
Step 10







Step 11

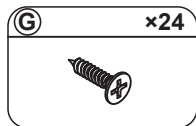
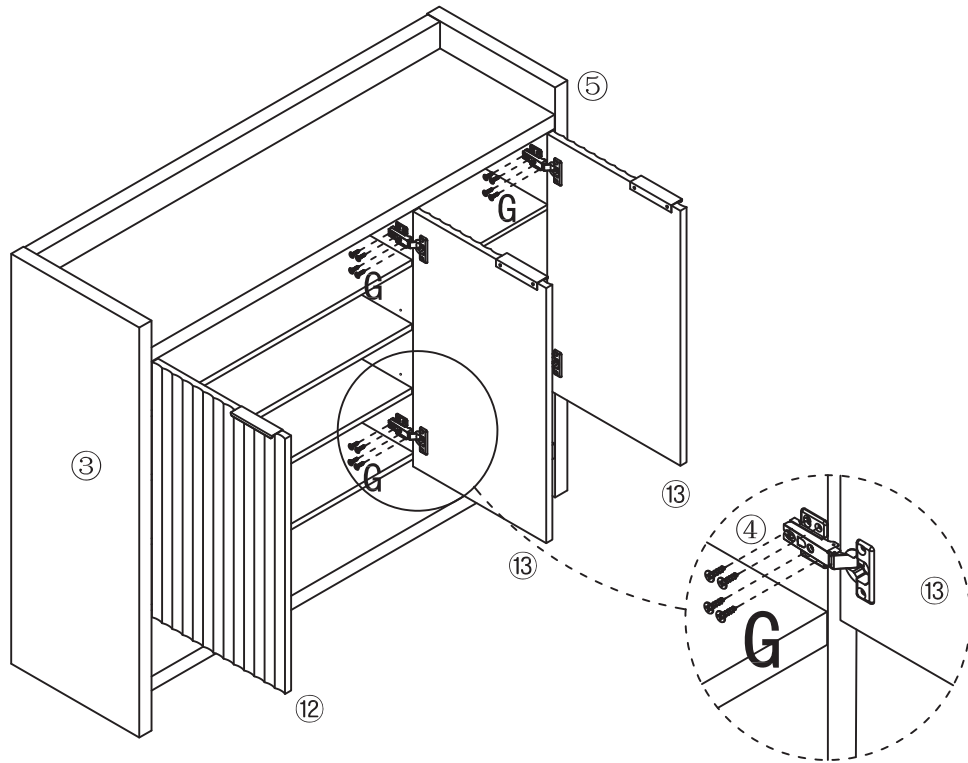


Step 12

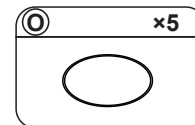
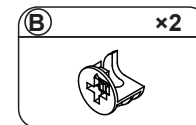
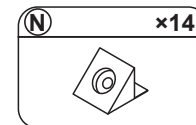
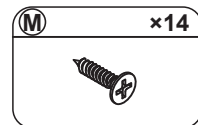
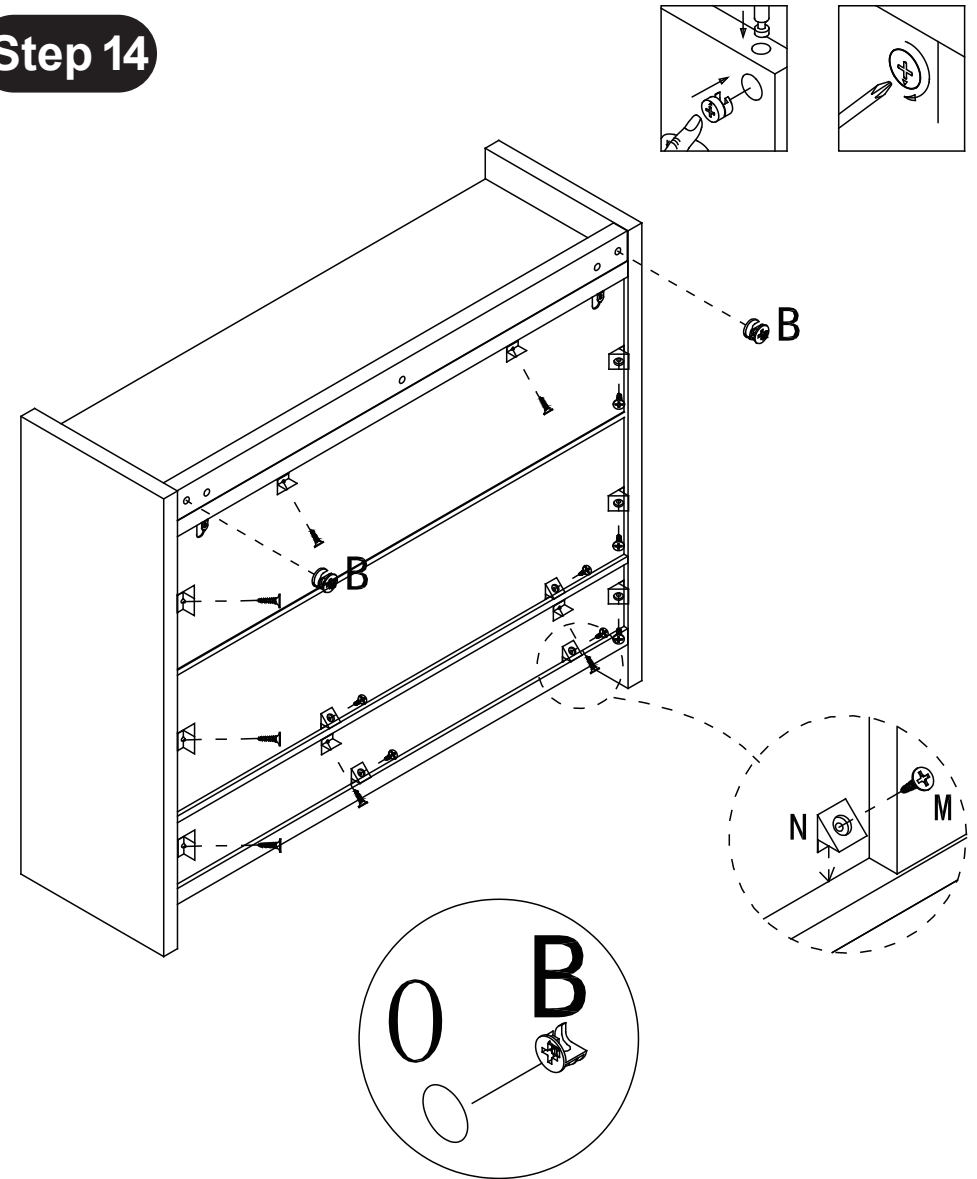


- D** x6 
- H** x6 
- G** x12 
- F** x3 

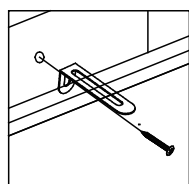
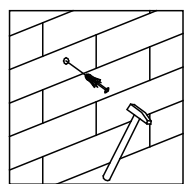
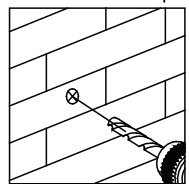
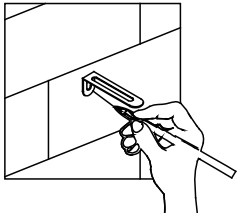
Step 13



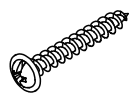
Step 14



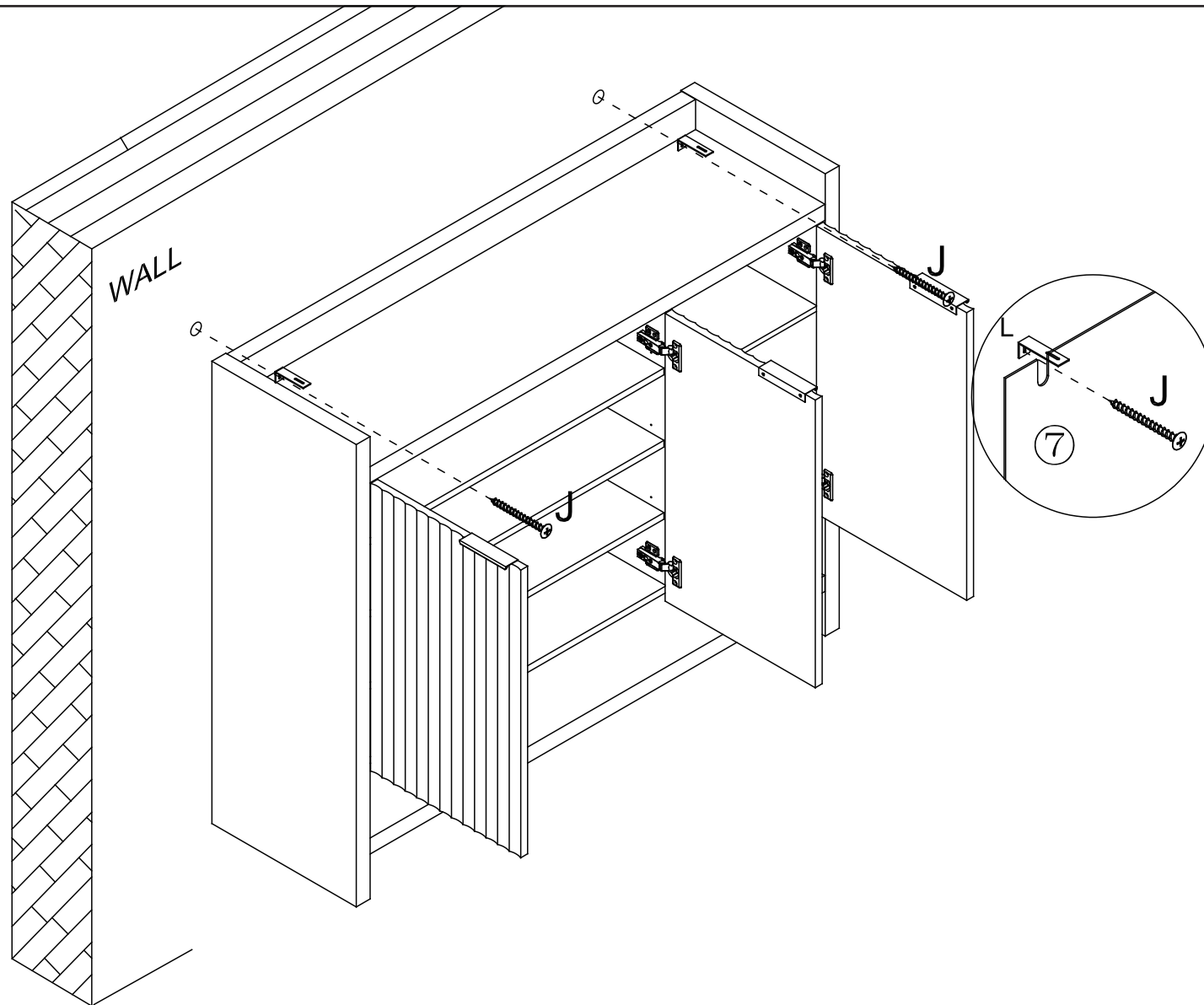
Step 15



J *2



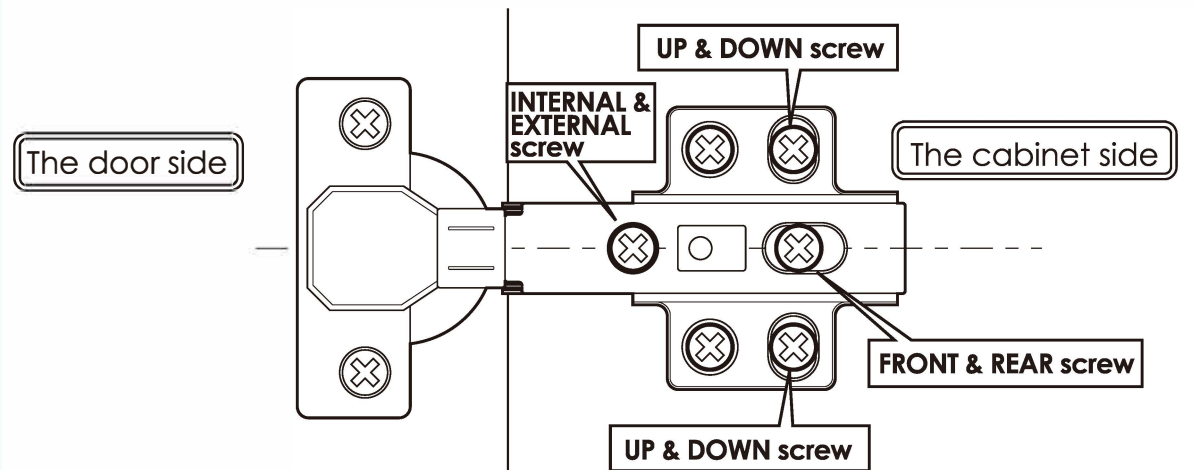
K *2



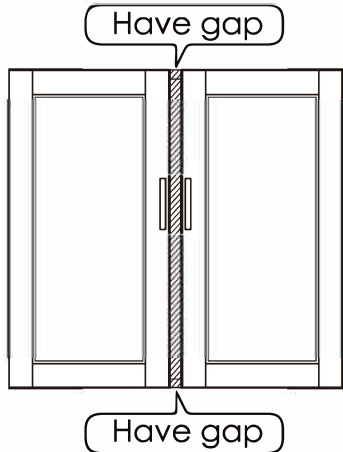
Adjusting the door

- Before adjusting the hinge, please check whether the cabinet is skewed.
- If the skew can not be repaired, please remove the anti-tipping device first, then adjust the cabinet to vertical position.
- Please adjust the hinge with the door open.
- Please operate it with more than 2 people, one person holds the door and the other one adjusts the screw.

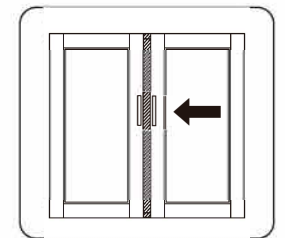
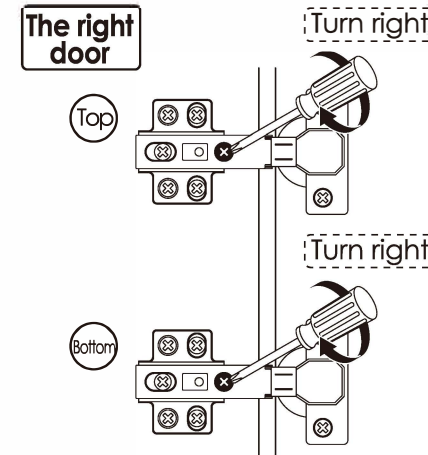
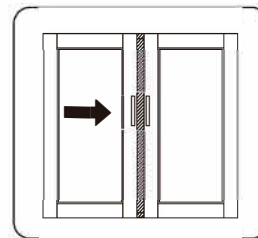
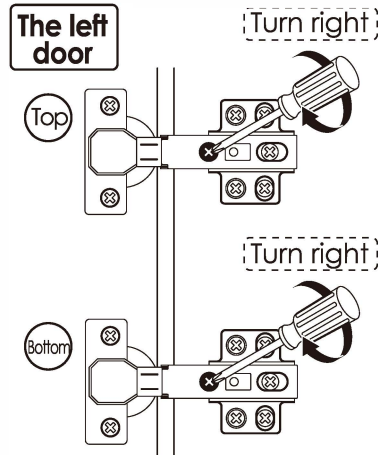
Components Name



Obvious gaps between doors or Doors don't look closed



1 Turn "internal & external screw" to the right can make the door approach inside. Please adjust the doors little by little.



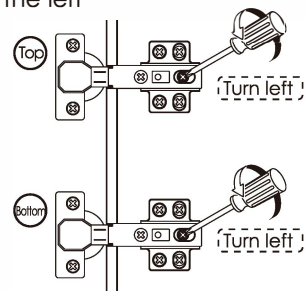
※ If the 2 doors are overlap, please turn the "internal & external screw" to the left.

When door is crooked



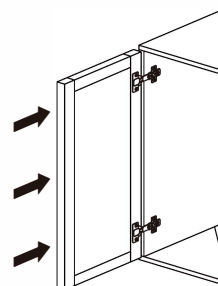
Please take the following steps to adjust first.

1 Rotate the "front and rear screws" to the left

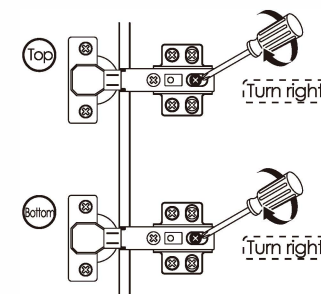


※ After adjusting the "front and rear screw", the door still does not change, please turn the "internal & external screw" to the right slightly.

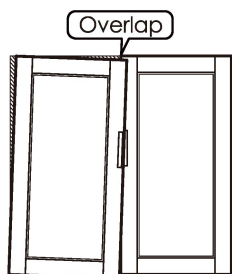
2 Push the door to the cabinet



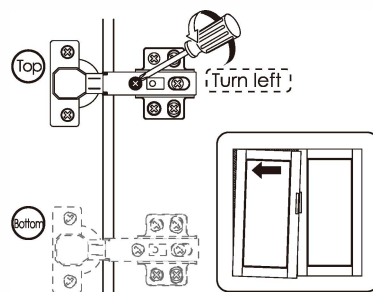
3 Rotate the "front and rear screws" to the right



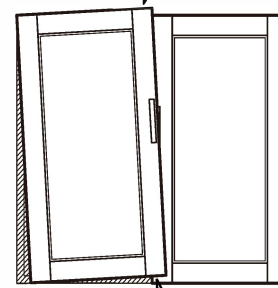
When door is leaning



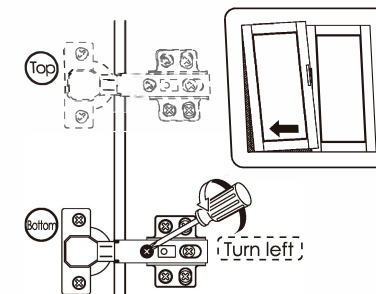
1 Turn "internal & external screw" to the left can make the top of the door tilted outward.



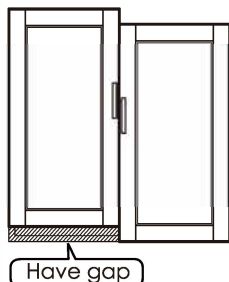
Protruding to the upside



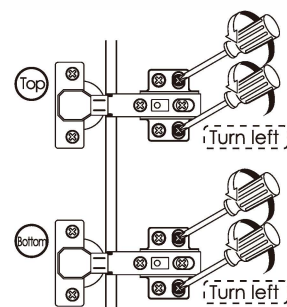
1 Turn "internal & external screw" to the left can make the bottom of the door tilted outward.



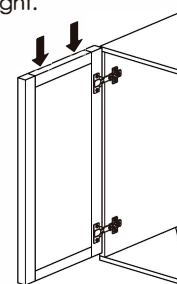
When the door is higher on top



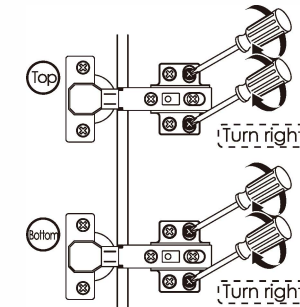
1 Turn "up & down screw" to the left



2 Lower the door's height so that 2 doors are of the same height.

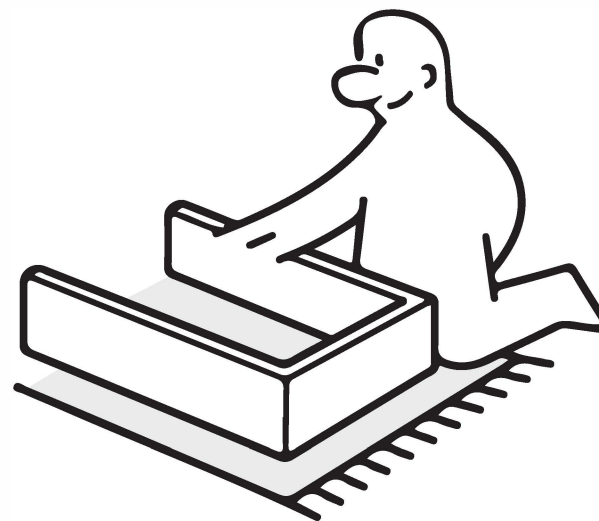
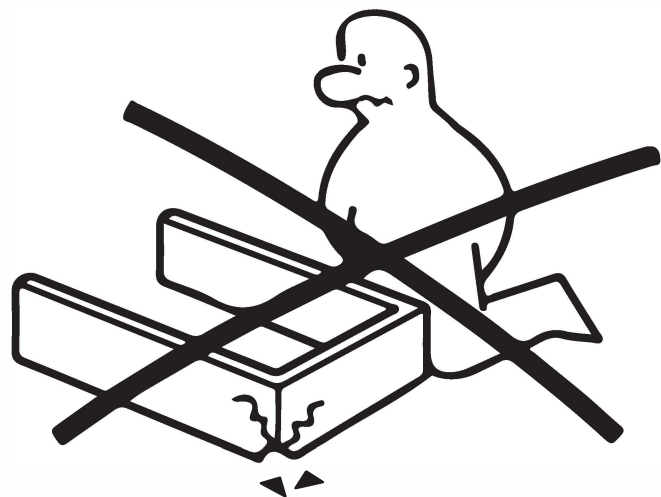


3 Turn "up & down screw" to the right



※ If the door is lower on bottom, please lift up the left door slightly on step 2

※ **Stay Scratch-Free: Safeguard Your Furniture by Assembling on Carpet.**



※ **Stuck in Assembly Limbo? Check out our website or contact our support team for quick solutions!**

