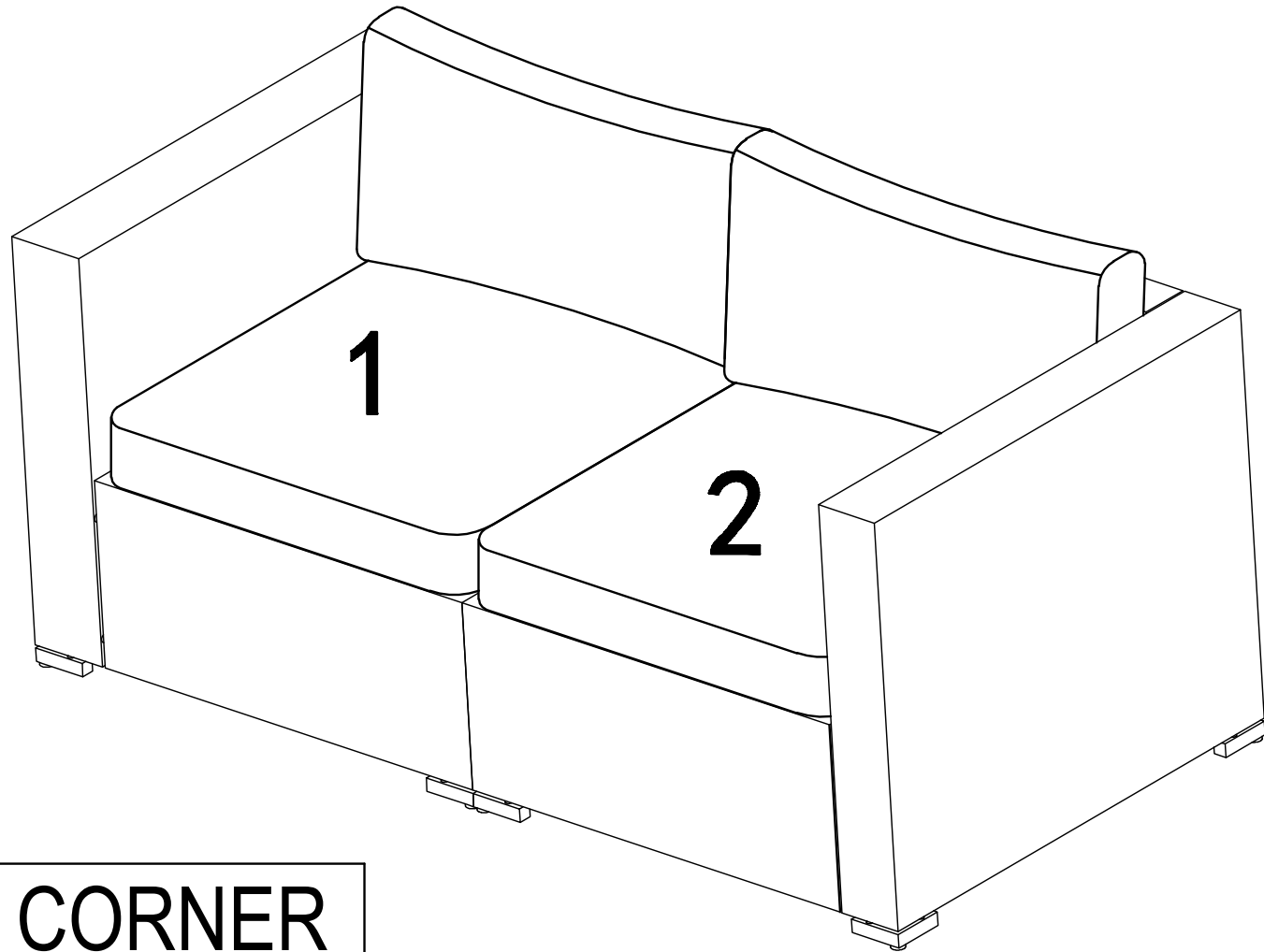


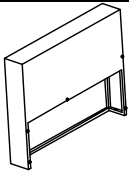
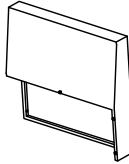
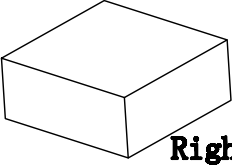
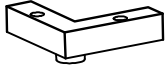
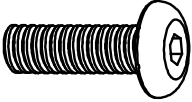

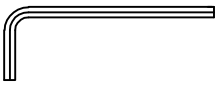
Assembly Instructions

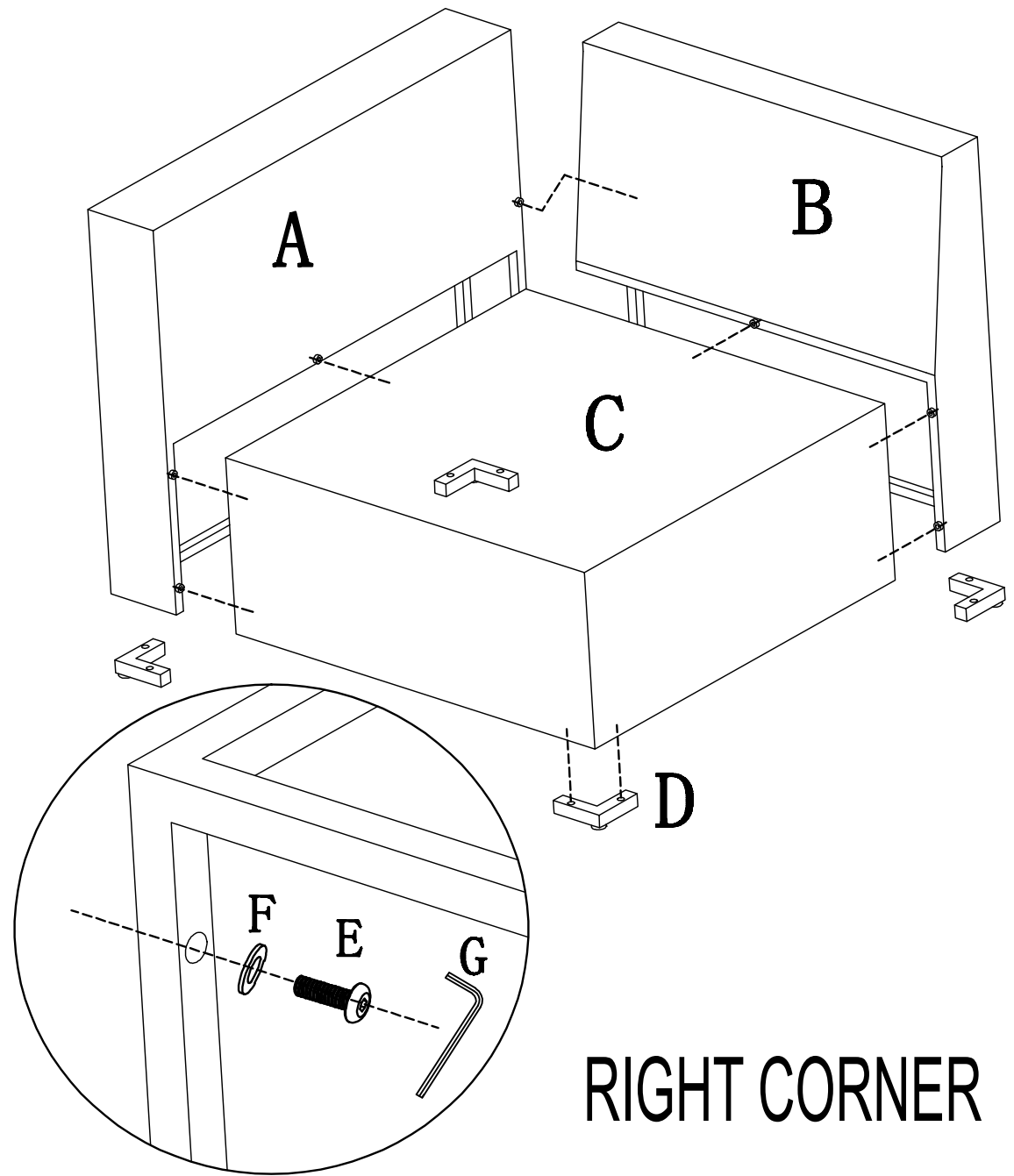


1	RIGHT CORNER
2	LEFT CORNER

NOTE: DO NOT TIGHTEN BOLTS UNTIL ALL PARTS ARE CONNECTED

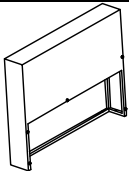
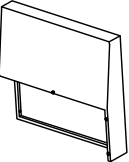
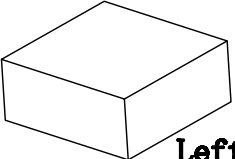
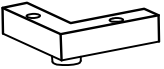
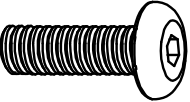

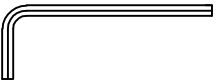
YOU MAY FIND CUSHIONS PLACED UNDERNEATH THE TABLE AND STORAGE BOX OR BETWEEN FRAMES!

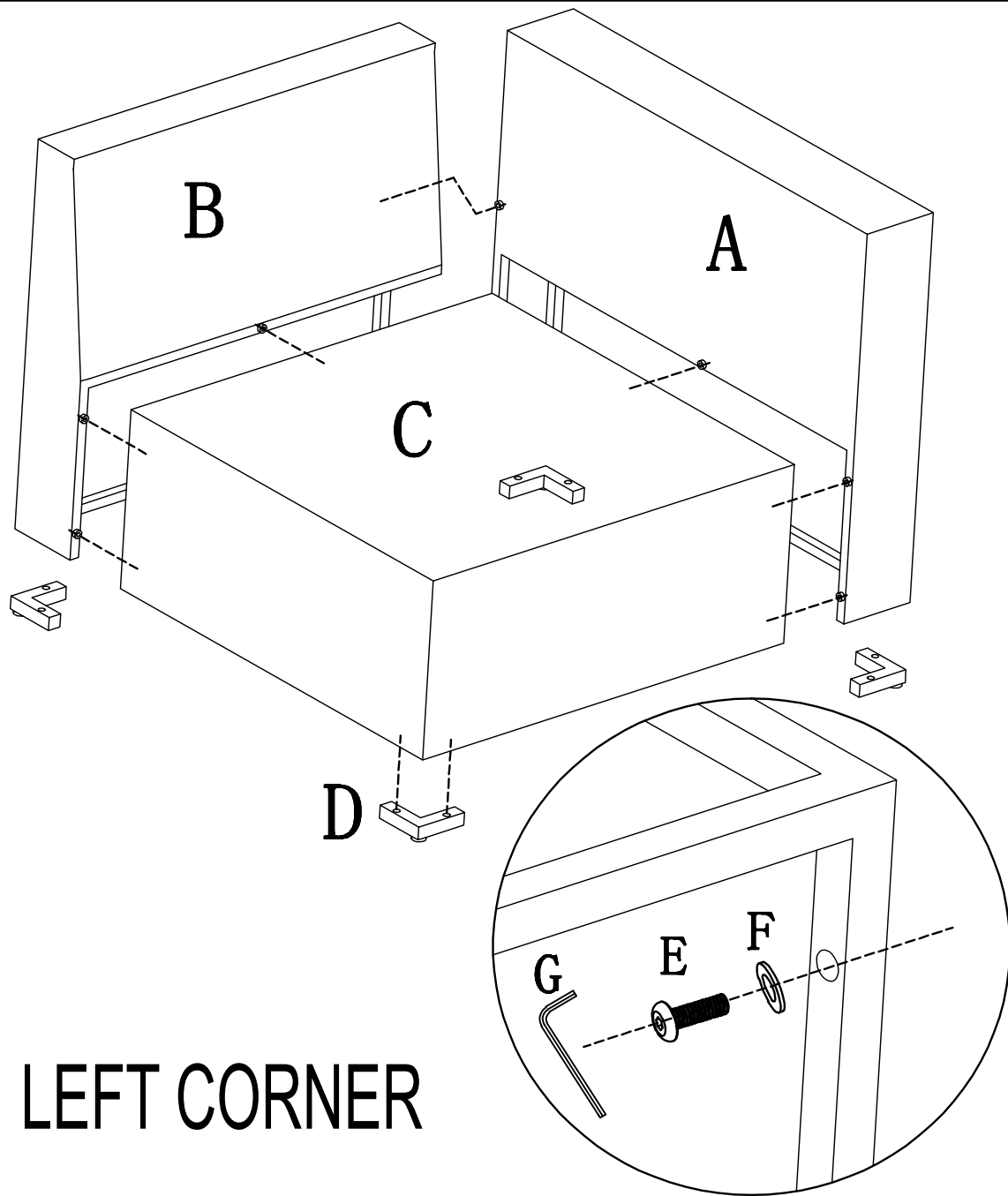
A	 Right armrest	1PCS
B	 Right back part	1PCS
C	 Right seat part	1PCS
D	 Adjust foot	4PCS
E	 M6*30mm Screw	16PCS
F	 M6 Washer	16PCS
G	 Allen wrench	1PCS



NOTE: DO NOT TIGHTEN BOLTS UNTIL ALL PARTS ARE CONNECTED

YOU MAY FIND CUSHIONS PLACED UNDERNEATH THE TABLE AND STORAGE BOX OR BETWEEN FRAMES!

A		Left armrest	1PCS
B		Left back part	1PCS
C		Left seat part	1PCS
D		Adjust foot	4PCS
E		M6*30mm Screw	16PCS
F		M6 Washer	16PCS
G		Allen wrench	1PCS



NOTE: DO NOT TIGHTEN BOLTS UNTIL ALL PARTS ARE CONNECTED

YOU MAY FIND CUSHIONS PLACED UNDERNEATH THE TABLE AND STORAGE BOX OR BETWEEN FRAMES!