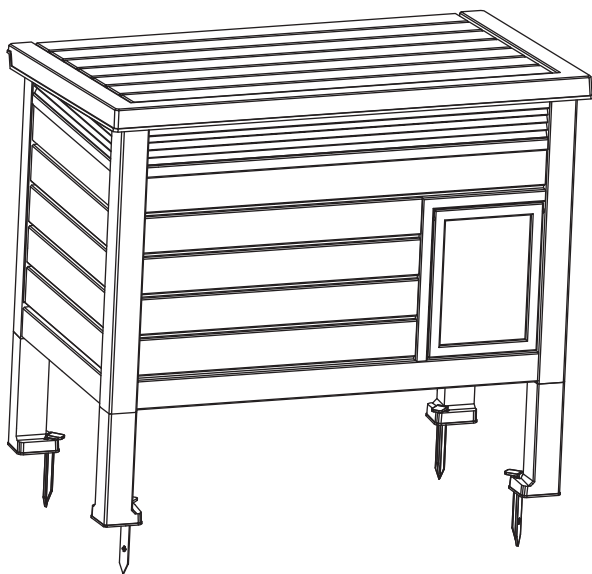


ASSEMBLE INSTRUCTIONS



IMPORTANT

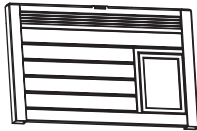
Once installed, the product cannot be detached. Strictly follow each step in the installation manual.

- Gather and organize all required parts prior to assembly. If you have any problems or discover any missing parts, please contact customer service.
- Some parts may contain sharp edges. Wear protective gloves if necessary during assembly.

CARE & SAFETY

- Assemble on a flat, clean and soft surface.
- In case of fire, do not attempt to extinguish any burning polypropylene with water.
- Wear safety-goggles and always follow the manufacturer's instructions when using power tools.
- During installation, please refer to the accessories guide to ensure that they are installed in the correct directions.
- Do not stand on the lid.

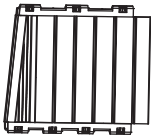
PARTS LIST



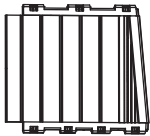
A (X1)



B (X1)



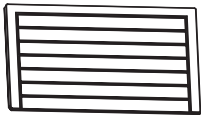
C2 (X1)



C1 (X1)



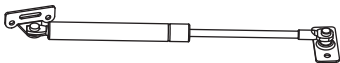
D (X1)



J (X1)



K (X1)



(X2)



S2 (X2)



T (X4)



S1 (X2)



M4*13
(X8)

1



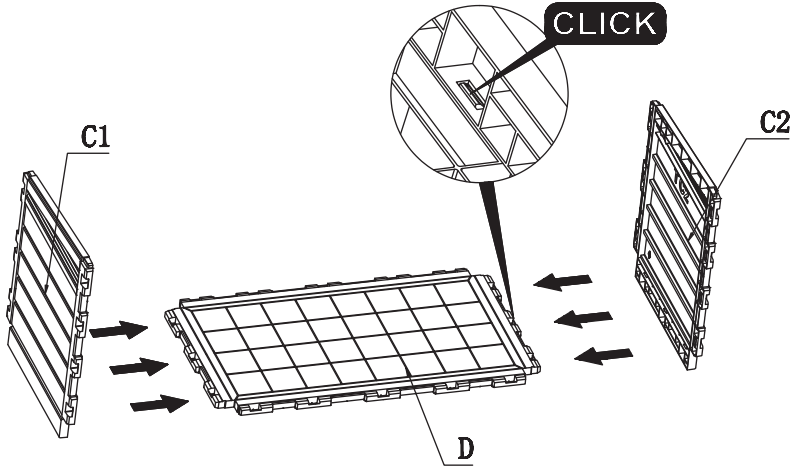
D (X1)



C1 (X1)



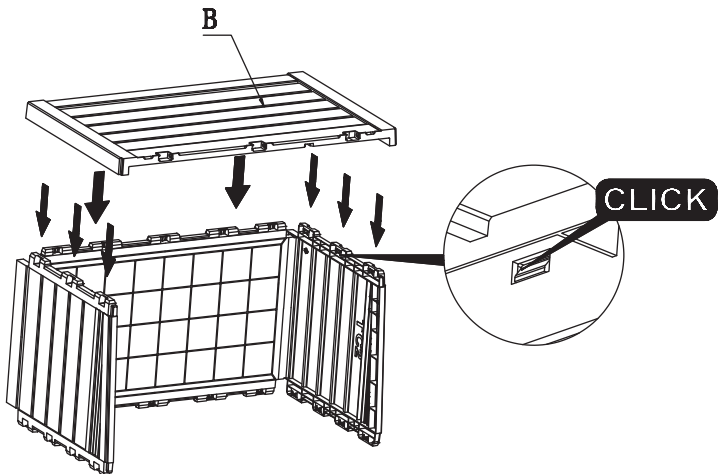
C2 (X1)



2



B (X1)

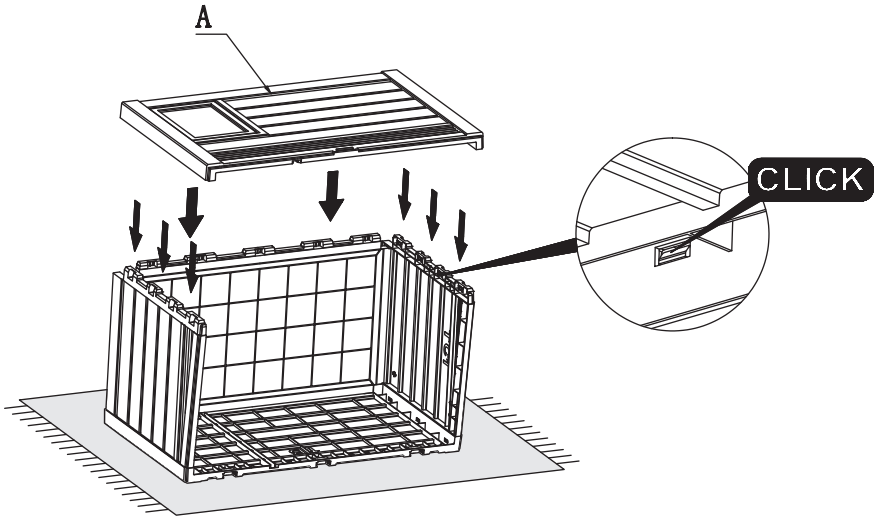


3

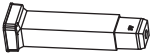
3



A (X1)



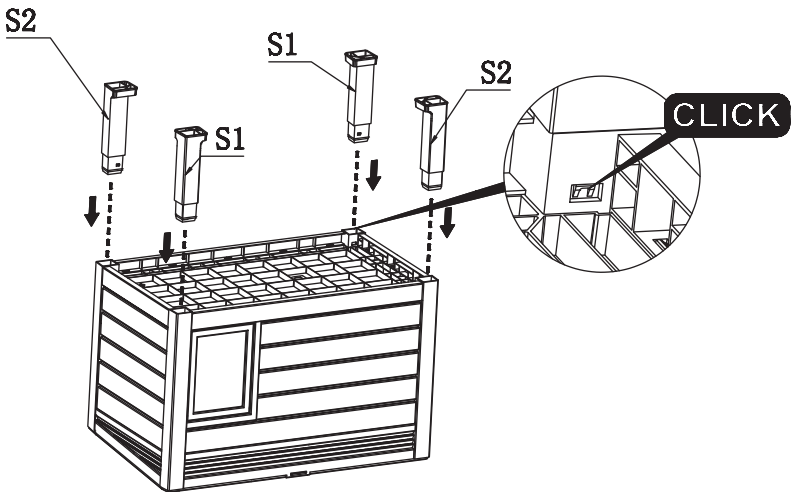
4



S1 (X2)



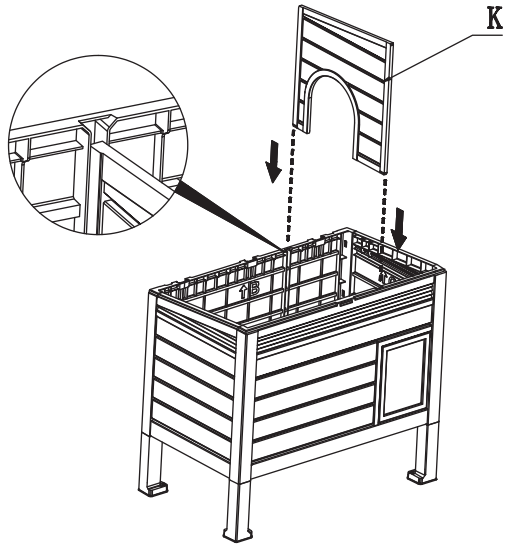
S2 (X2)



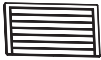
5



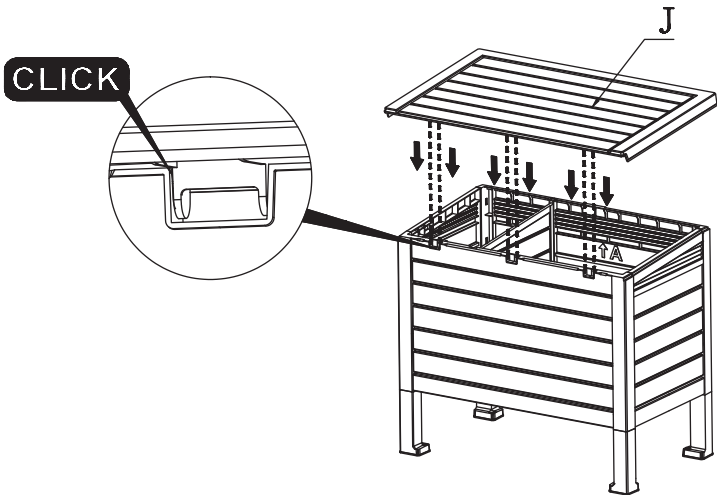
K (X1)



6



J (X1)



7

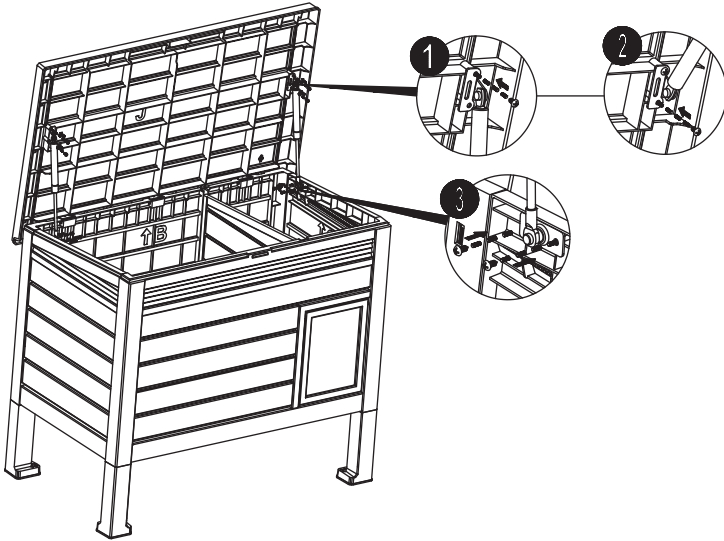


(X2)



M4*13

(X8)



8



T (X4)

