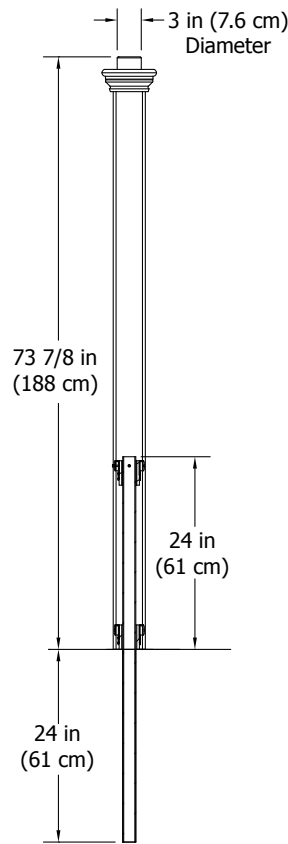
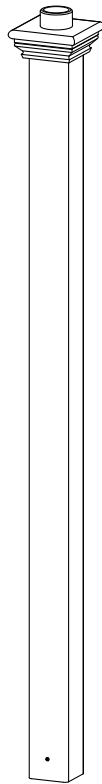


ASSEMBLY INSTRUCTIONS

4x4 Lamp Post with EZ Mount



Please read through before starting assembly.

Check Box for These Contents

1. Lamp Post (1) - 4"x4"x72" (10x10x183cm)
2. EZ Mount Anchor Assembly (1) - 1 5/8" Diameter x 48" (4cm Diameter x 122cm)
3. Post Cap (1)
4. 5/8" (16mm) Self-Tapping Screw (1)
5. Tube of Vinyl Weld (1)

Tools You Will Need

- Tape Measure
- Level
- Sledge Hammer
- Cordless Drill with #2 Phillips Bit

Purchased Separately

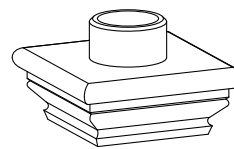
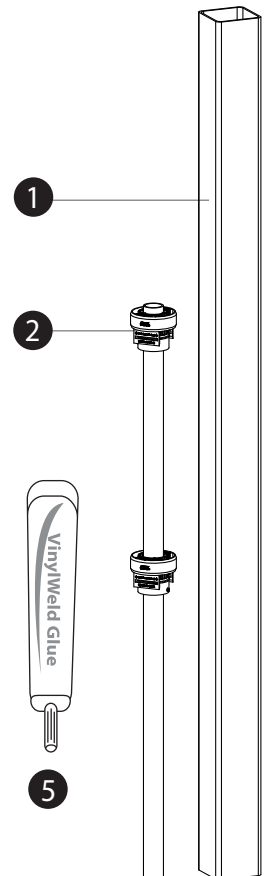
- Lamp Fixture

General Information

- **Read Instructions through carefully before beginning assembly.**
- When handling components, place on a non-abrasive surface (i.e. shipping box) to avoid scratching.
- We recommend an area approx 10'x 8' (3m x 2.4m) for unobstructed handling.

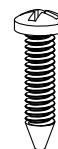
Important Note:

- Please refer to local codes before installing outdoor lighting. UF-rated cable should be used for underground wiring and all materials should be approved by the Underwriter's Laborator (UL). We assume no liability for errors, omissions or the outcome of any project.



3

Not to Scale



4



5

STEP ONE

EZ Mount Anchor Installation

1

Temporarily remove top outer gear by pulling the two locking tabs away from the top inner gear. This will protect the top outer gear from possible damage when driving the EZ Mount anchor pipe into the ground.

Drive the EZ Mount anchor pipe into the ground using a sledge hammer (10-pound / 4.5kg hammer is preferred; 5-pound / 2.25kg hammer will suffice; claw hammer is not advisable).

2

To ensure the pipe is straight and plumb, place a bubble level and check pipe every 3-4 swings.

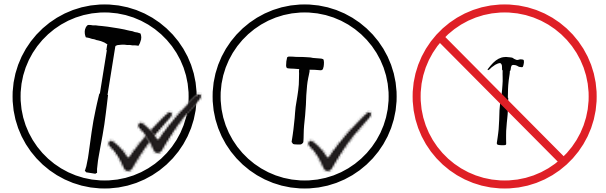
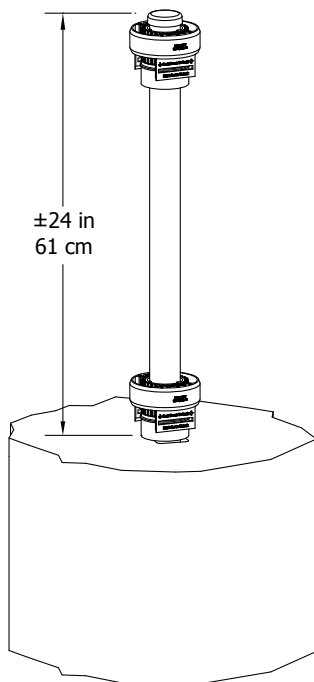
3

Drive the pipe until the top of the pipe is approximately 24 in (61 cm) in height and the bottom inner gear is touching the ground as shown. Center and lock the top outer gear to the top inner gear.

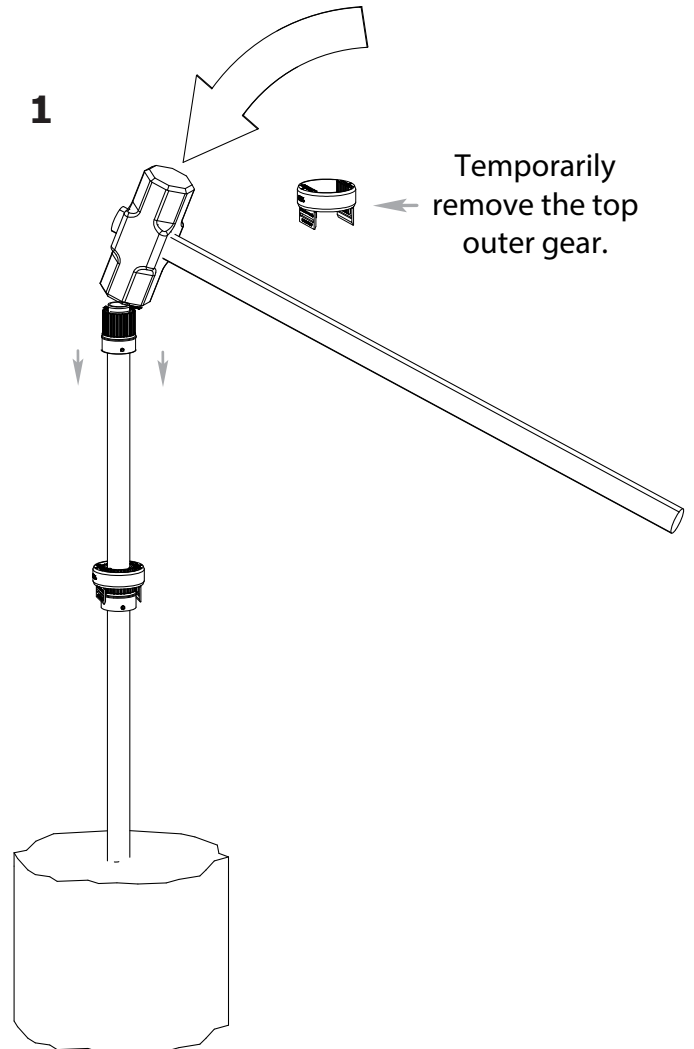
4

Take note of the 2 3/8" (6 cm) measurement below. This will be the height of which a fastening screw will be installed. In case your dimension is different, please measure and write the value down for future reference.

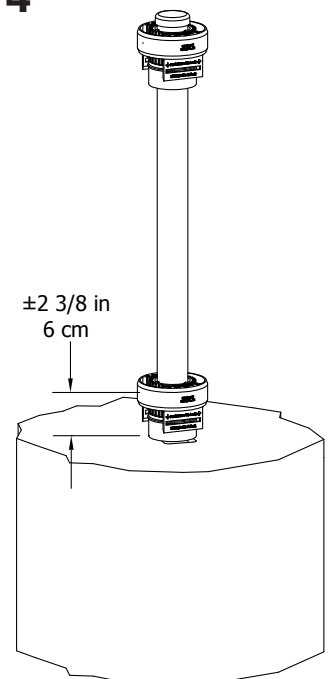
3



1



4



STEP TWO

EZ Mount Anchor Adjustment

1

The top and bottom outer leveling gears on the anchor pipe are designed to be adjustable to compensate for a slightly crooked pipe.

2

The position of the top and bottom outer gears can be unlocked and adjusted as needed, to provide a level surface for the vinyl lamp post. After making any adjustments to the top and/or bottom outer gear, use a level as illustrated to verify that the top and bottom outer gears are level before proceeding to Step 3



STEP THREE

Lamp Post Installation

1

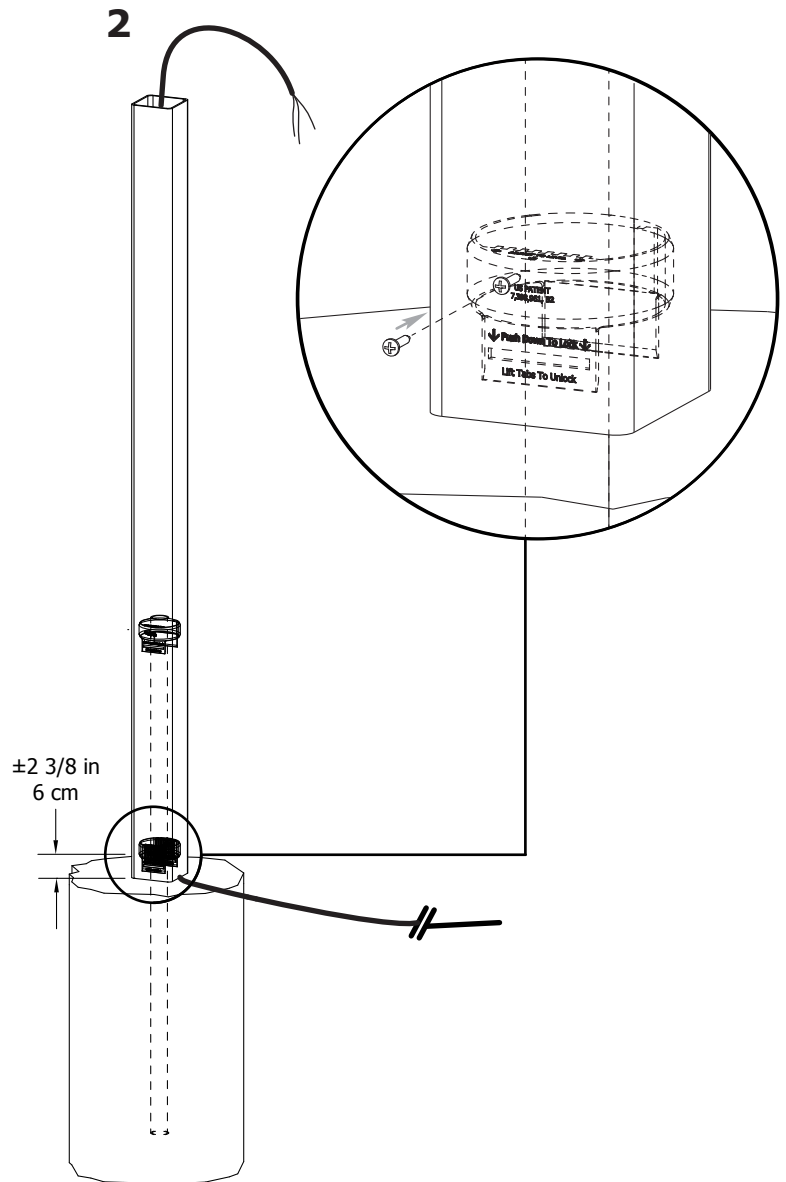
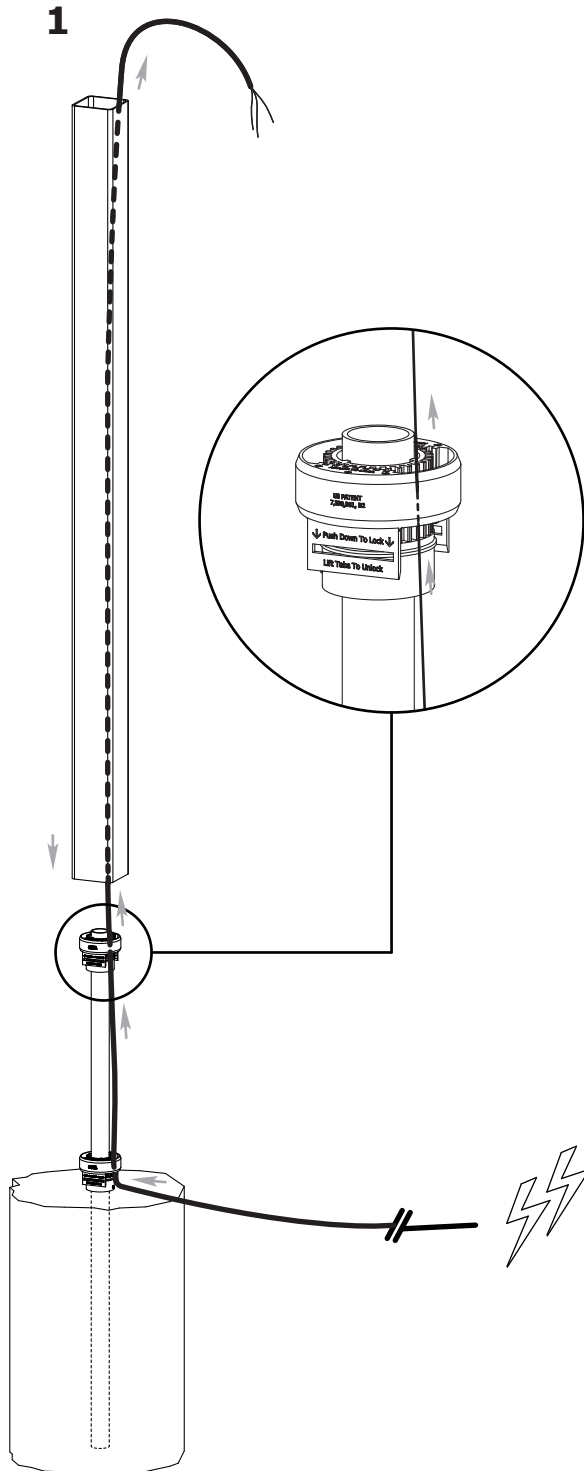
Slide the lamp post over the pipe anchor assembly.

Note – If you are installing an electrical hardwired lamp fixture, thread your electrical cable through the inside cavity of the vinyl post and the top and bottom outer gears as shown.

2

Using a cordless drill with a #2 Phillips bit, fasten the lamp post to the bottom outer gear with the 5/8" (16 mm) self-tapping screw as shown. Use the measurement from STEP ONE, point 4 to determine where the screw should be located. Typically this dimension would be 2 3/8" (6cm).

Note - Be careful when setting the screw through the bottom outer gear, avoiding the electrical cable (if applicable).



STEP FOUR

Post Cap Installation

1

If you're installing an electrical hardwired lamp fixture, thread the electrical cable through the post cap opening as shown

2

Apply a bead of vinyl weld to the inside walls of the post cap and slide the post cap on to the lamp post. Allow at least 15 minutes for the vinyl weld to bond the surfaces together.

3

To install the lamp fixture, follow the instructions provided with your lamp fixture assembly.

