

Part List For Bed

BED CARTONS

GRILL BOX

(5) GRILL (2)

POST BOX

(6) HEADBOARD POST(2)
(7) FOOTBOARD POST(2)

HARDWARE BAG FOR BED
GRILLS/POST AND FRAME ASSEMBLY

(1) 1/4-20 X 3 1/2" LONG FLAT ALLEN HEAD SCREW-16
(2) 1/4-20 HEX NUT-8
(3) 5/8" OD METAL WASHER-8
(4) ALLEN WRENCH

HEADBOARD CARTONS

GRILL BOX

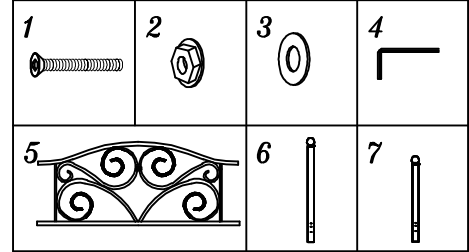
(5) GRILL (1)

POST BOX

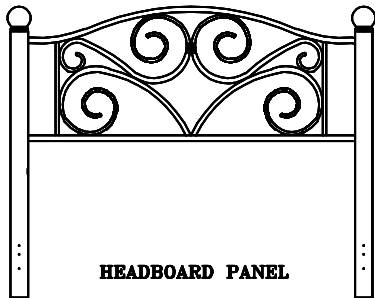
(6) HEADBOARD POST(2)

HARDWARE BAG FOR BED
GRILLS/POST AND FRAME ASSEMBLY

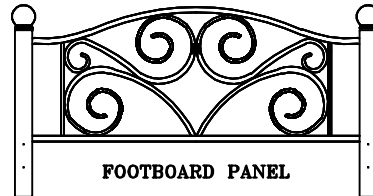
(1) 1/4-20 X 3 1/2" LONG FLAT ALLEN HEAD SCREW-(8)
(2) 1/4-20 HEX NUT-4
(3) 5/8" OD METAL WASHER-4
(4) ALLEN WRENCH



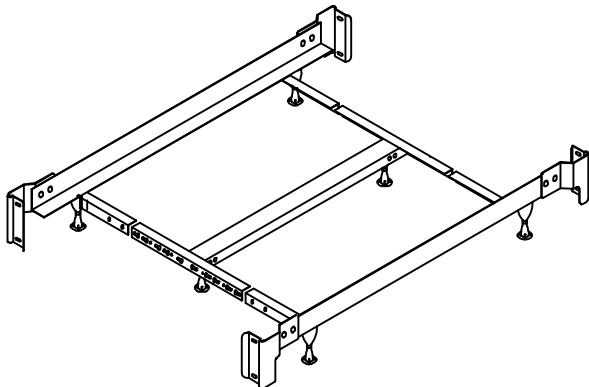
PRODUCT FULLY ASSEMBLED



HEADBOARD PANEL

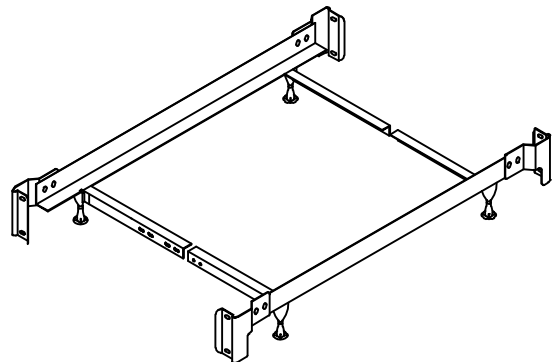


FOOTBOARD PANEL



QUEEN - KING FRAME FULLY ASSEMBLED

NOTE: SEE INSTRUCTIONS INCLUDED IN FRAME CARTON
FOR FRAME ASSEMBLY



TWIN - FULL FRAME FULLY ASSEMBLED

NOTE: SEE INSTRUCTIONS INCLUDED IN FRAME CARTON
FOR FRAME ASSEMBLY