

Product Name:	Upholstered White Club Swivel Chair
SKU #:	WHIF2116

Thank you for purchasing this LuxenHöme product. This product has been manufactured with the highest standards of safety and quality.

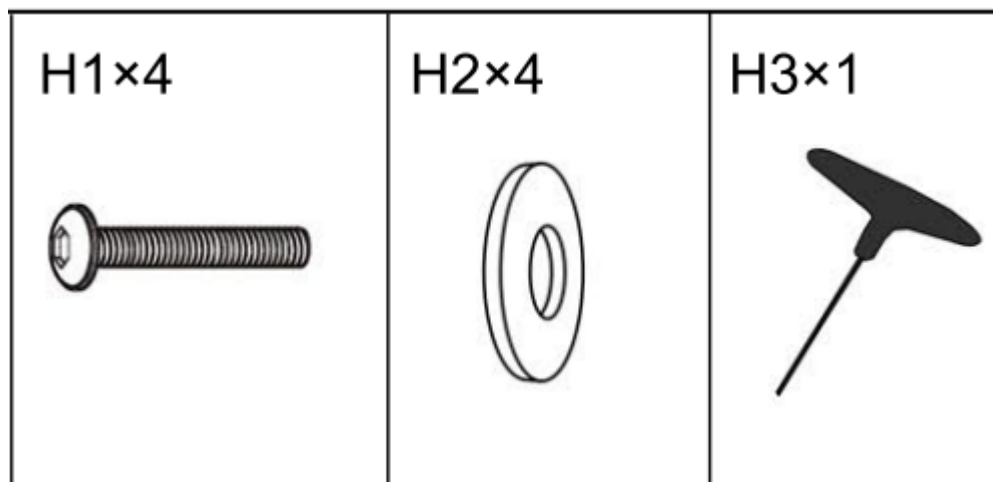
PLEASE READ ALL INSTRUCTIONS CAREFULLY BEFORE ASSEMBLY.

Unpack all parts from the packaging inside the carton to ensure there are no missing or damaged parts. Lay out all the chair parts on a clean, flat, and soft surface to prevent scratches. Refer to the steps provided as assembling guide.

Do not attempt to assemble or use the product if any parts are missing or damaged.

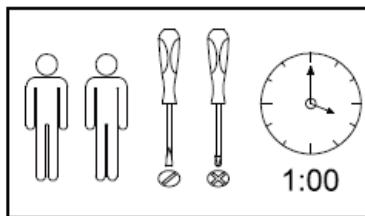
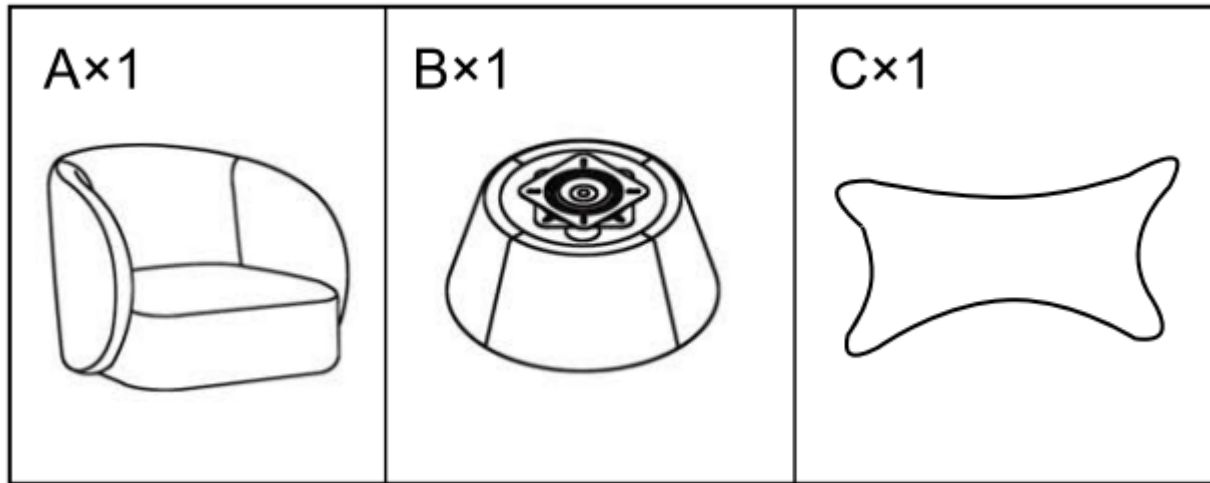
CARTON CONTENTS:

Hardware:



Product Name:	Upholstered White Club Swivel Chair
SKU #:	WHIF2116

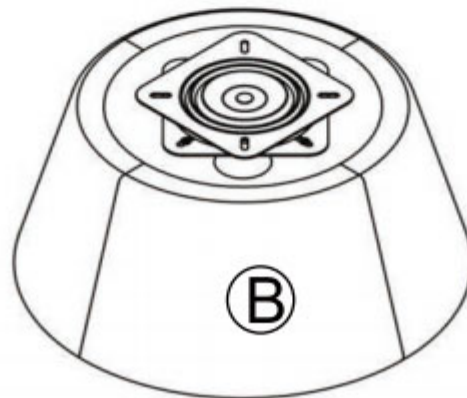
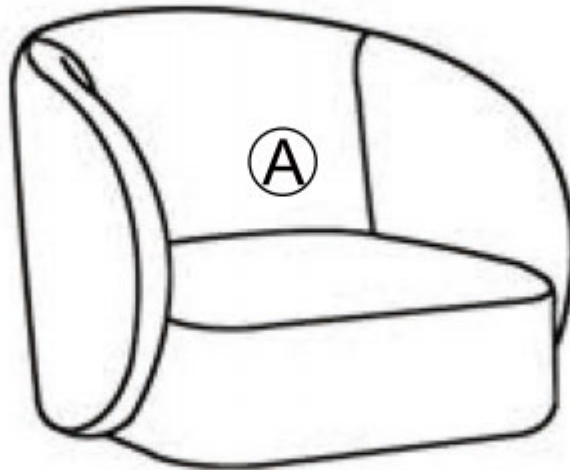
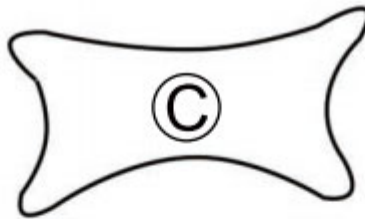
Chair Parts:



Tools required for assembly: Allen Wrench (if using power tools, use with care)

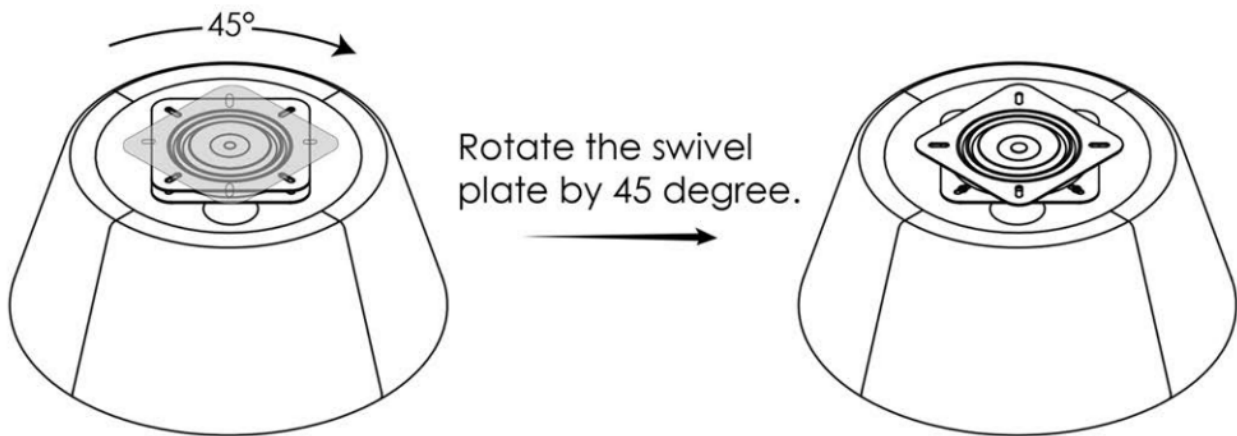
Product Name:	Upholstered White Club Swivel Chair
SKU #:	WHIF2116

Assembly:



Product Name:	Upholstered White Club Swivel Chair
SKU #:	WHIF2116

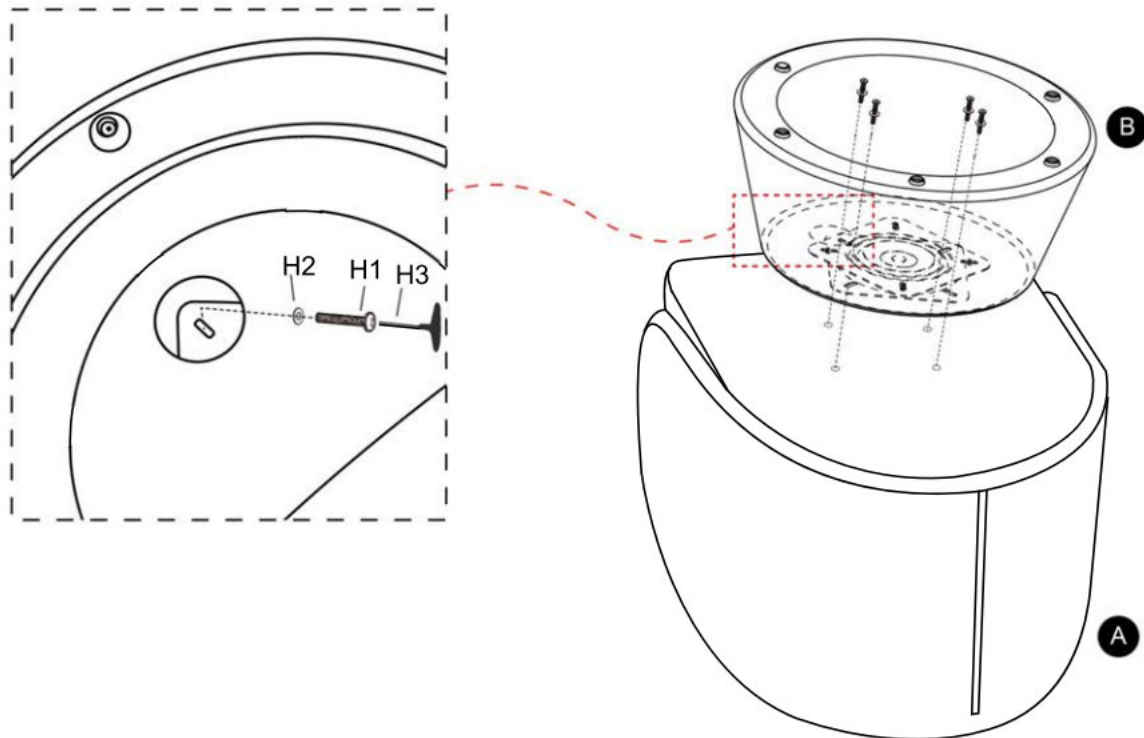
Step 1 – Rotate the swivel plate 45 degrees.



Product Name:	Upholstered White Club Swivel Chair
SKU #:	WHIF2116

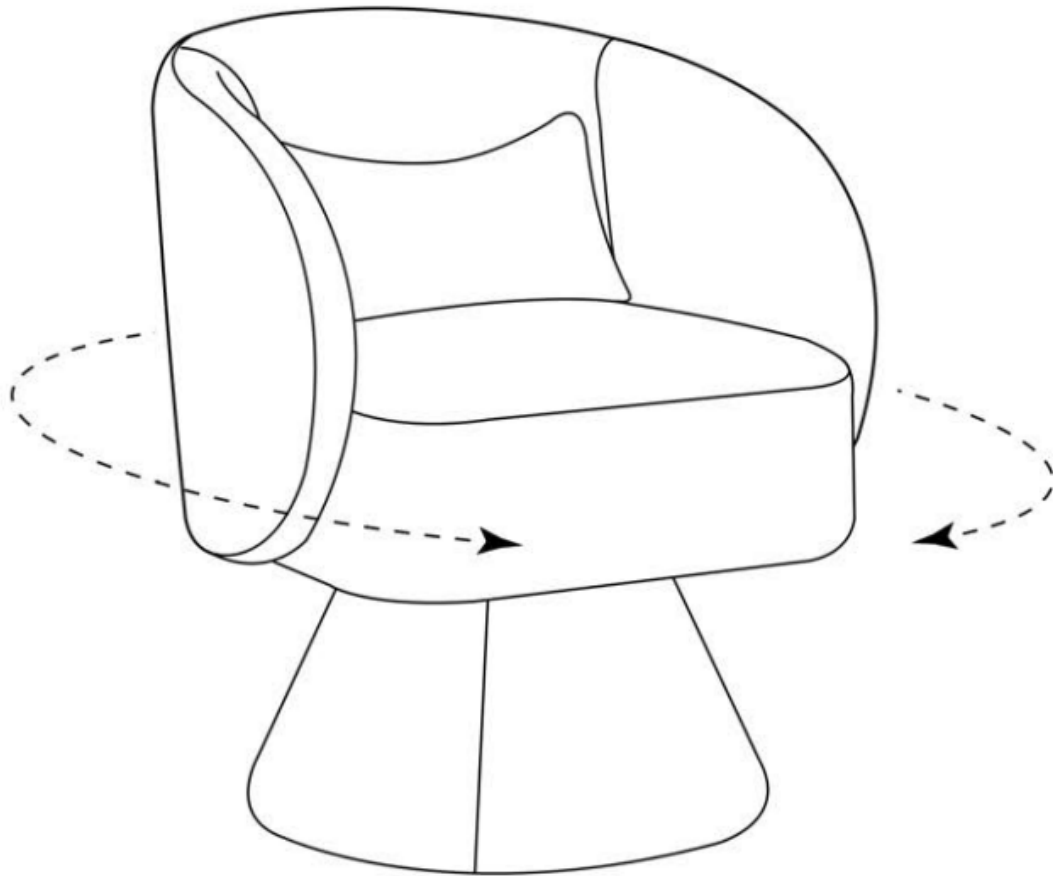
Step 2: Attach the Chair Base (B) to Chair Body (A), using Bolts (H1), and Flat Washers (H2).


Note: Loosely attach the bolts one by one and keep them loose. Do not fully tighten. After loosely attaching the first bolt, rotate the base to attach the next one. After all 4 bolts are attached, use Allen Wrench (H3) to tighten.



Product Name:	Upholstered White Club Swivel Chair
SKU #:	WHIF2116

Assembly complete. Take a spin and enjoy.



 **Warning:** DO NOT stand on the chair as this may damage the product and cause serious bodily injury.