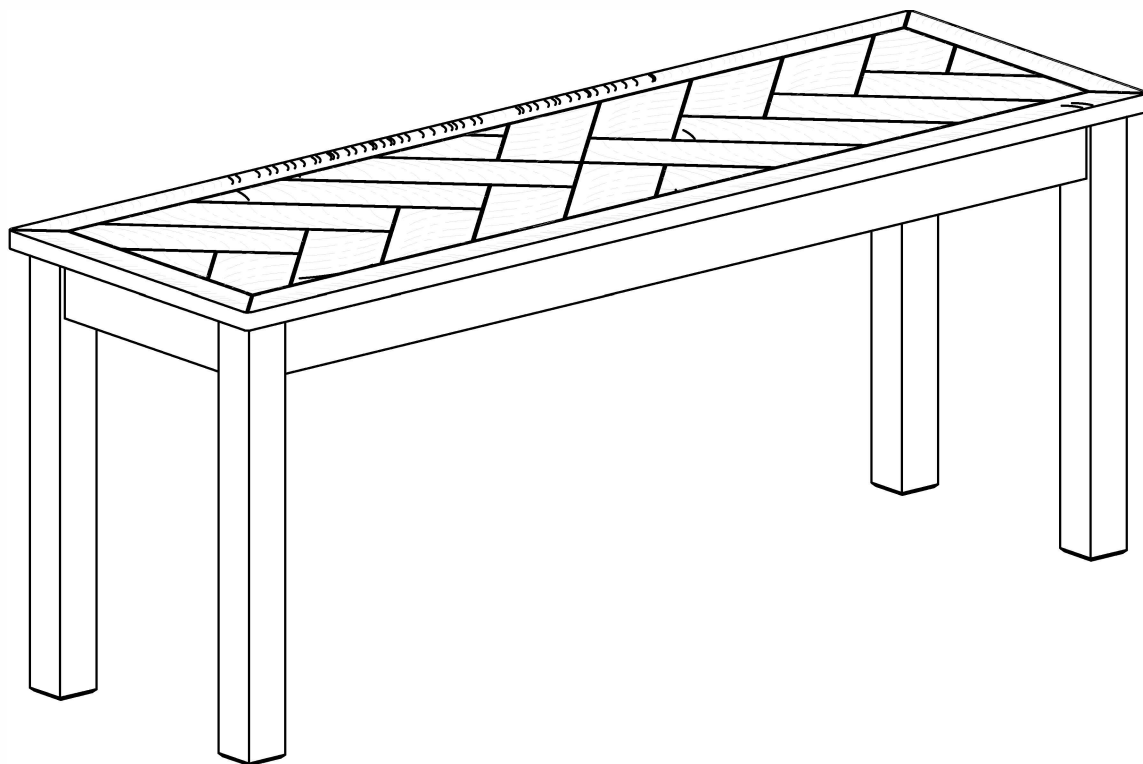


ASSEMBLY INSTRUCTIONS



THIS INSTRUCTION BOOKLET CONTAINS IMPORTANT INFORMATION.
PLEASE READ AND KEEP IT FOR FUTURE REFERENCE.



THANK YOU FOR PURCHASING OUR PRODUCT !

This furniture is designed for indoor application. Please read this booklet carefully and use all the items correctly as described. And please kindly note that the warranty does not apply to any product that has been improperly used.

After unboxing and before assembly, please check whether there are any parts damaged. If yes, please contact our customer service team by calling the numbers below. Meanwhile, please check whether you have all the parts and hardware listed. If these is any missing item, also please contactus immediately.

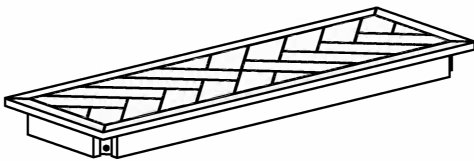
Before Assembly

- Remove all wrapping materials, staples and packing straps.
- Read the Parts List and Hardware List carefully, make sure all parts and hardware are intact.
- Place all parts on a clean and smooth surface, such as a rug or carpet, to prevent the parts from being scratched.
- Do not cross-thread screws.
- Do not use electric tools.



Make sure all bolts and screws are fully tightened before using chair.

Components



1: 1 PC



2: 4 PCS



Ø1/4"x 60mm

A: 8 PCS



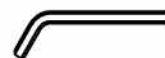
Ø1/4"x 11mm

B: 8 PCS



Ø1/4"x 19mm

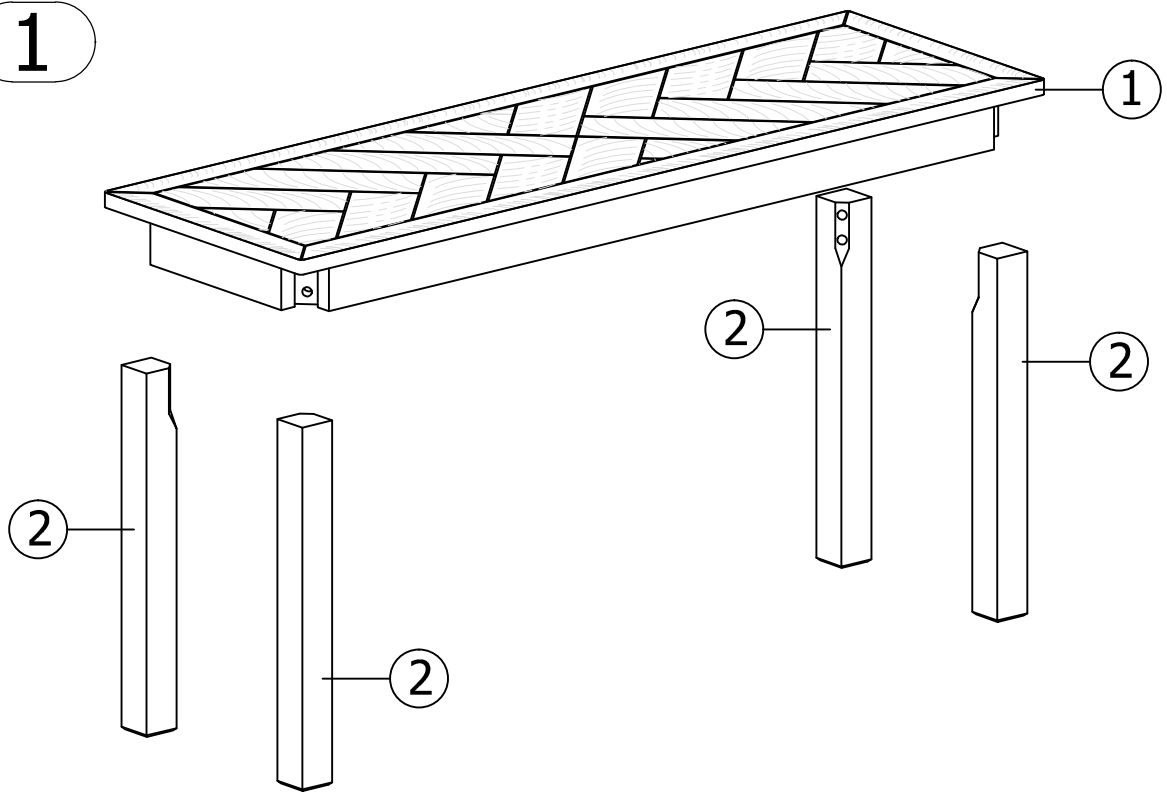
C: 8 PCS







4mm

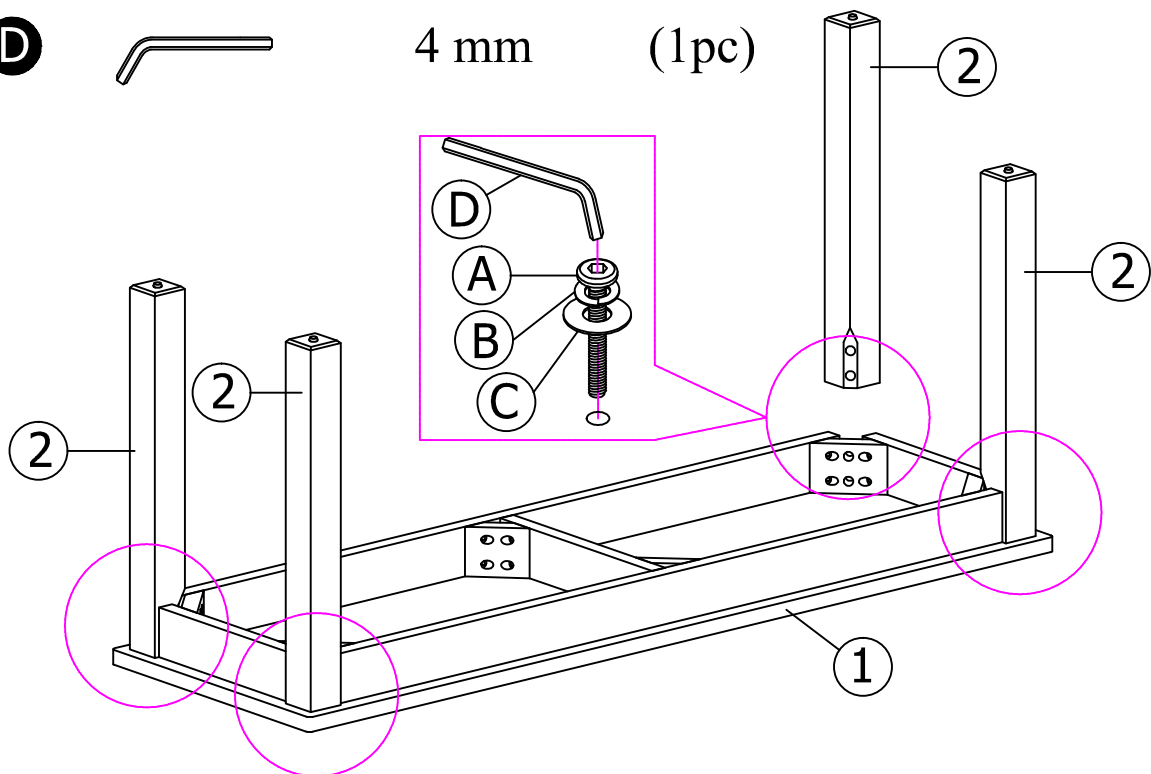
D: 1 PC

1



2

- A**  Ø1/4"*60 mm (8pcs)
- B**  Ø1/4"*11 mm (8pcs)
- C**  Ø1/4"*19 mm (8pcs)
- D**  4 mm (1pc)



3

