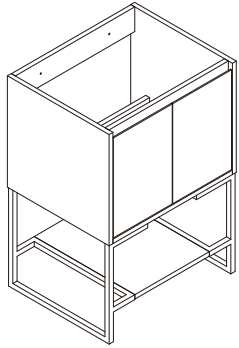
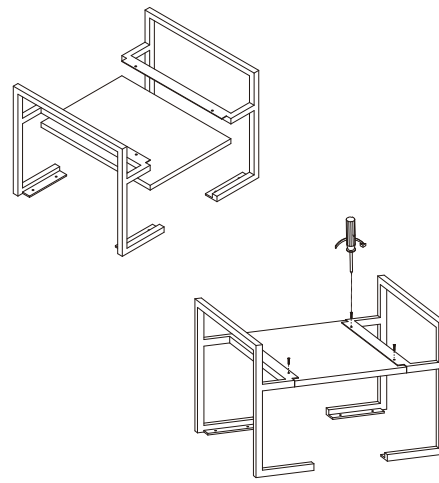
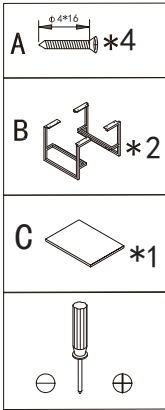


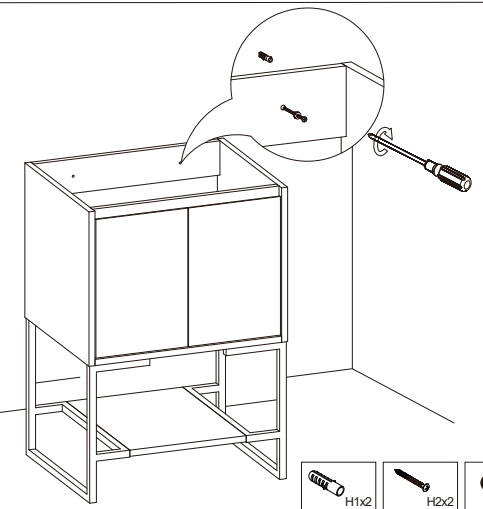
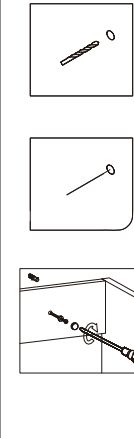
# INSTALLATION GUIDE



1



4



Electric drill

Drill (Φ8)

Tape measure (3m~5m)



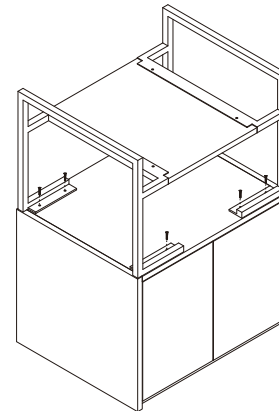
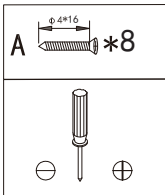
Silicone

Pencil

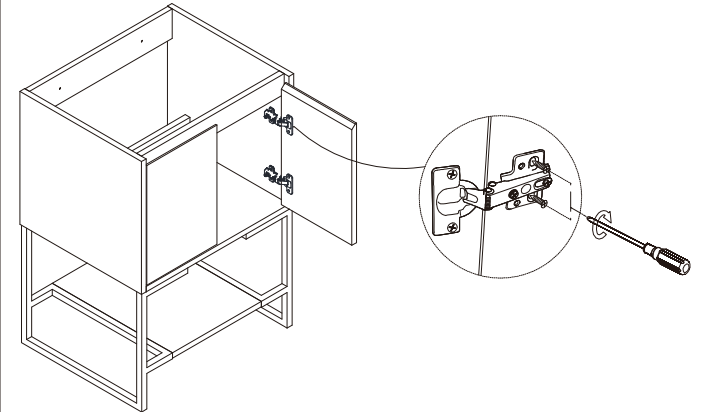
Screwdriver

TOOLS NEEDED FOR INSTALLATION

2



5



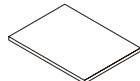
## Cabinets



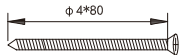
A=12



B=2



C=1



D=2

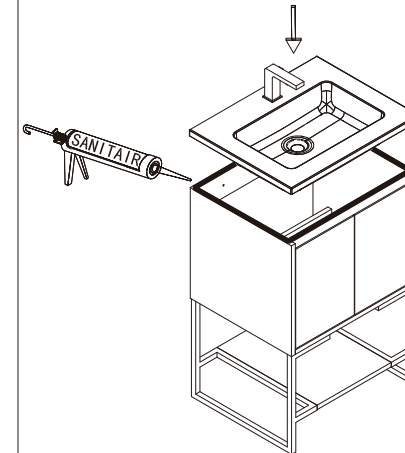
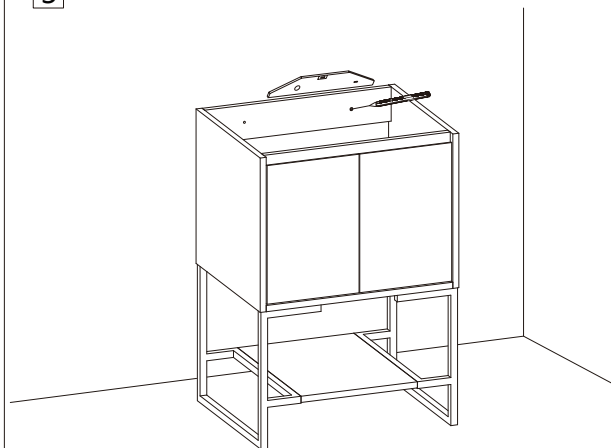


E=2



F=2

3



When installing the basin, transparent silicone must be applied at the contact place between the basin and the cabinet to make it fit accurately.